



US00D516456S

(12) **United States Design Patent**  
**Tsui**

(10) **Patent No.:** **US D516,456 S**  
(45) **Date of Patent:** **\*\* Mar. 7, 2006**

(54) **LOCKET**

D482,984 S \* 12/2003 Marchand ..... D11/79

(75) Inventor: **Hiu Lam Tsui**, Causeway Bay (HK)

\* cited by examiner

(73) Assignee: **Jade International (Hong Kong) Limited**, Causeway Bay (HK)

*Primary Examiner*—Ralf Seifert  
(74) *Attorney, Agent, or Firm*—Jacobson Holman PLLC

(\*\*) Term: **14 Years**

(57) **CLAIM**

I claim the ornamental design for the locket, as shown and described.

(21) Appl. No.: **29/216,362**

**DESCRIPTION**

(22) Filed: **Nov. 3, 2004**

(51) **LOC (8) Cl.** ..... **11-01**

(52) **U.S. Cl.** ..... **D11/81**

(58) **Field of Classification Search** ..... D11/1-2,  
D11/7, 40-44, 46-49, 53, 56-57, 59-61,  
D11/63, 65, 79-83, 86-87, 89, 90, 99-101,  
D11/106, 114-116, 200-201; 63/1.11, 18-20;  
D3/207-211

See application file for complete search history.

FIG. 1 is a front perspective of the locket showing my new design in an open position;  
FIG. 2 is a right side elevational view thereof in closed position;  
FIG. 3 is a left side elevational view shown in closed position;  
FIG. 4 is a front elevational view shown in open position;  
FIG. 5 is a front elevational view shown in closed position;  
FIG. 6 is a rear elevational view, the broken lines showing the wristlet or bracelet which goes through the two attachment means affixed to the back of the locket;  
FIG. 7 is a top plan view of the locket shown in closed position; and,  
FIG. 8 is a bottom plan view of the locket shown in closed position.

It being understood that the broken lines are for exemplary illustrative purposes only and form no part of the claimed design.

(56) **References Cited**

**U.S. PATENT DOCUMENTS**

2,129,491 A	*	9/1938	Chilson	.....	63/19
D136,753 S	*	11/1943	Lyon	.....	D3/249
D300,414 S	*	3/1989	Horosko	.....	D11/80
D302,957 S	*	8/1989	Saxon	.....	D11/80
D432,939 S	*	10/2000	Hooglander	.....	D11/80
D464,287 S	*	10/2002	Potter et al.	.....	D11/91
D474,127 S	*	5/2003	Potter et al.	.....	D11/81

**1 Claim, 2 Drawing Sheets**

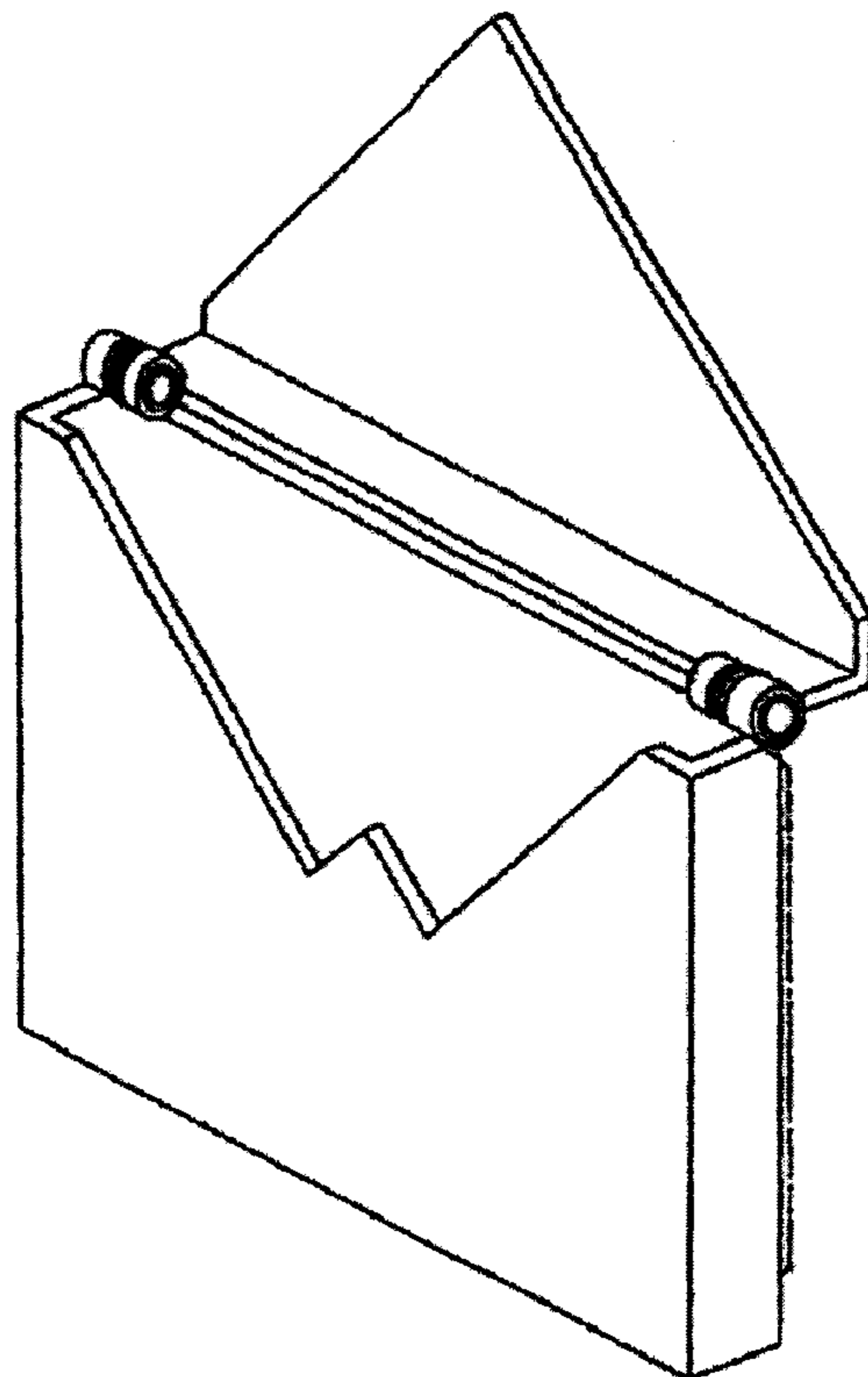


FIG. 1

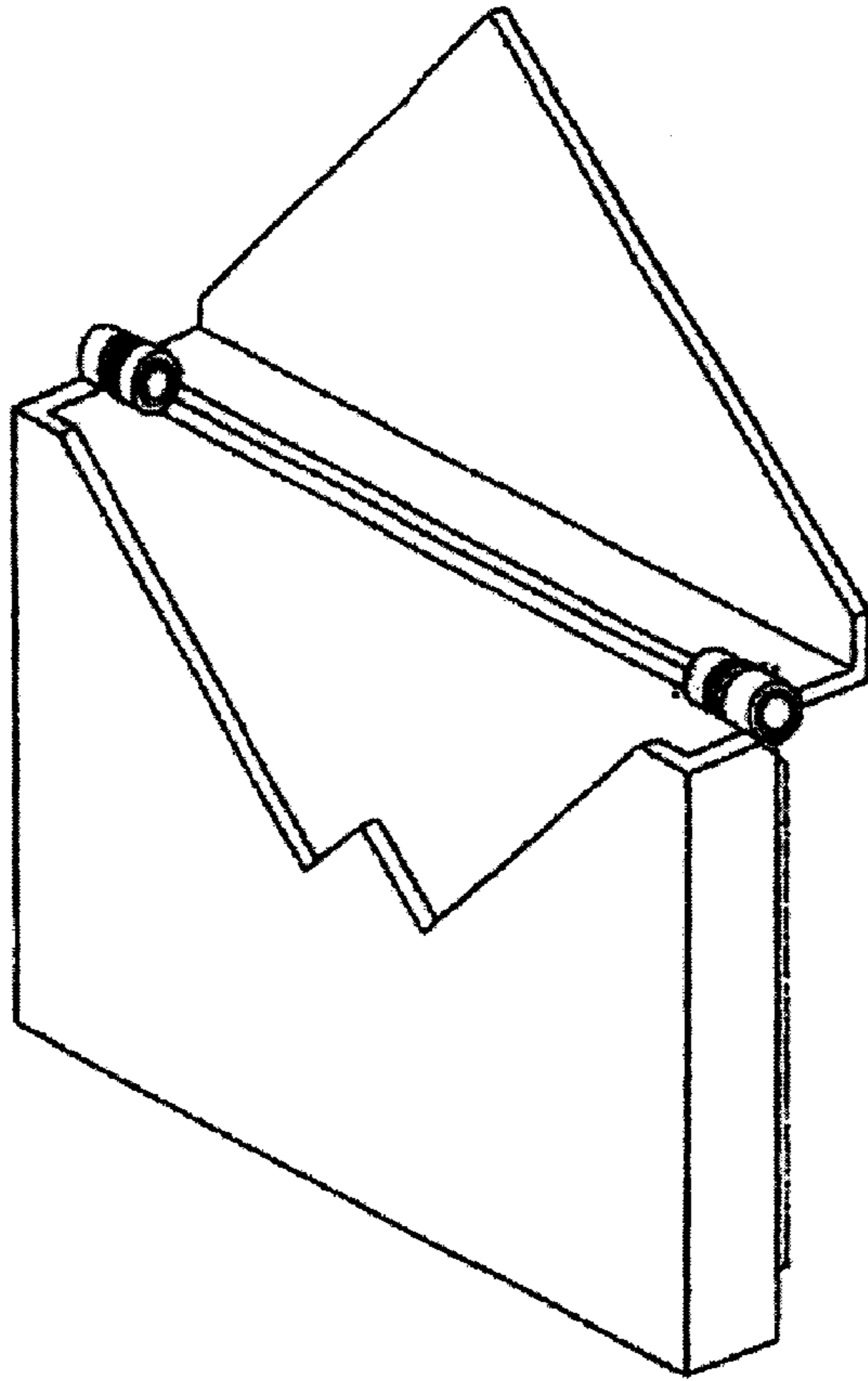


FIG. 2

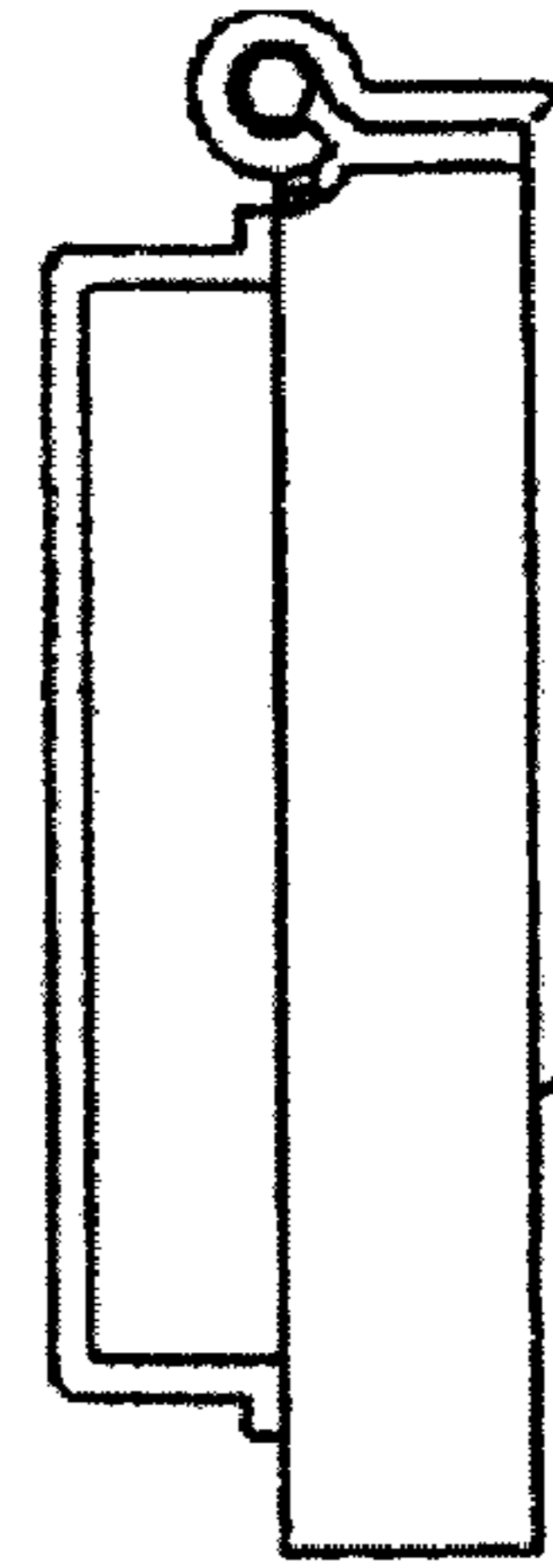
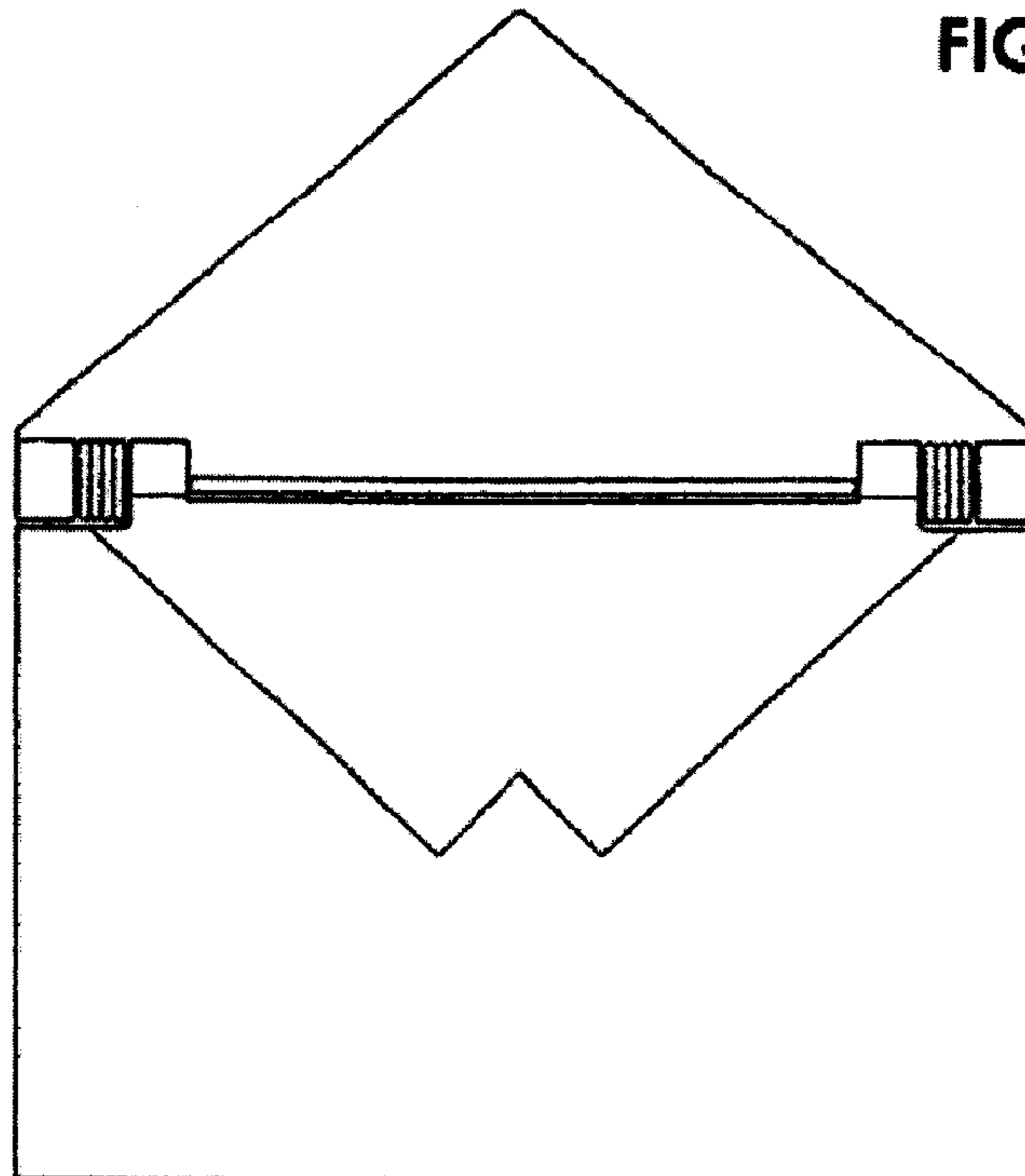


FIG. 3



FIG. 4



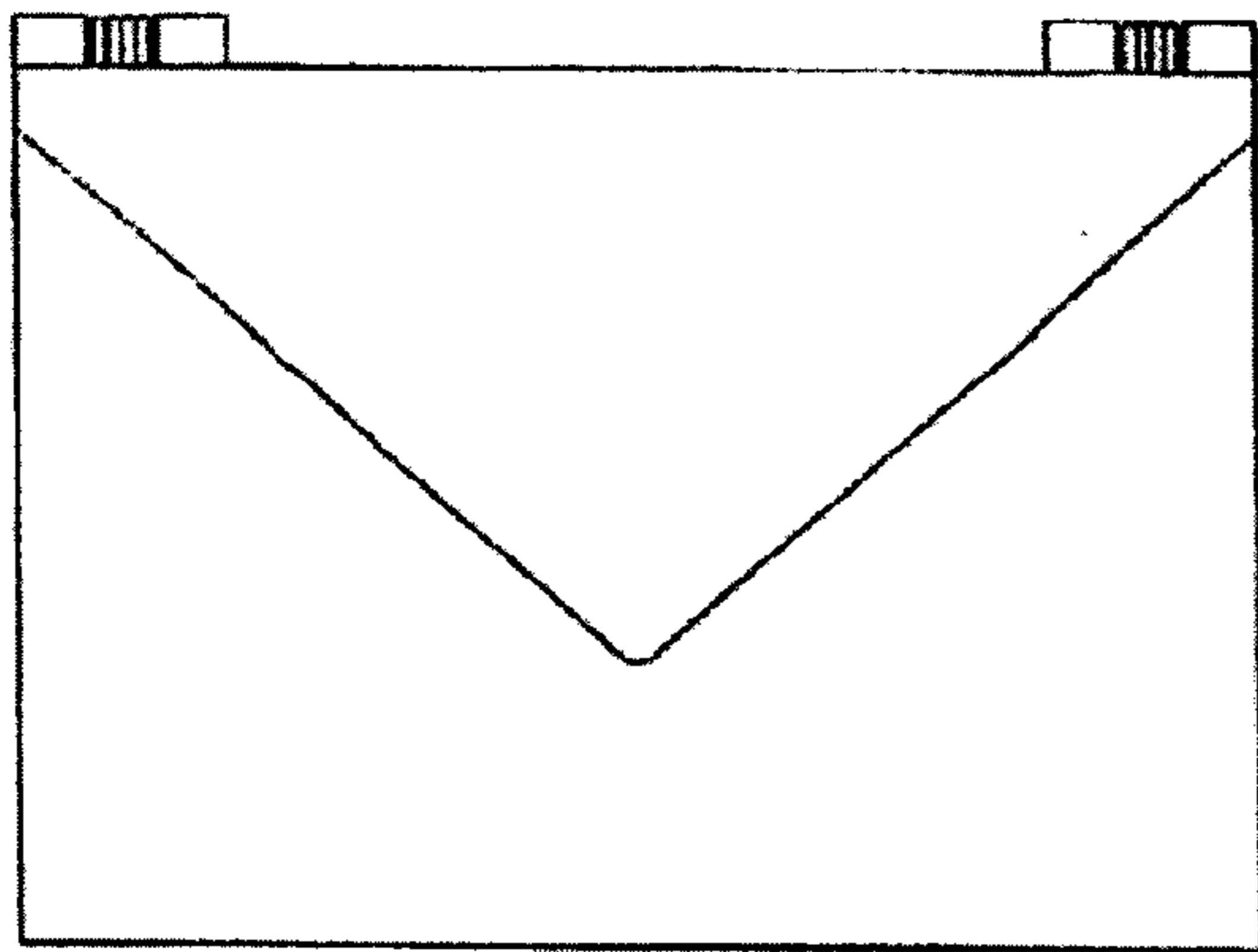


FIG. 5

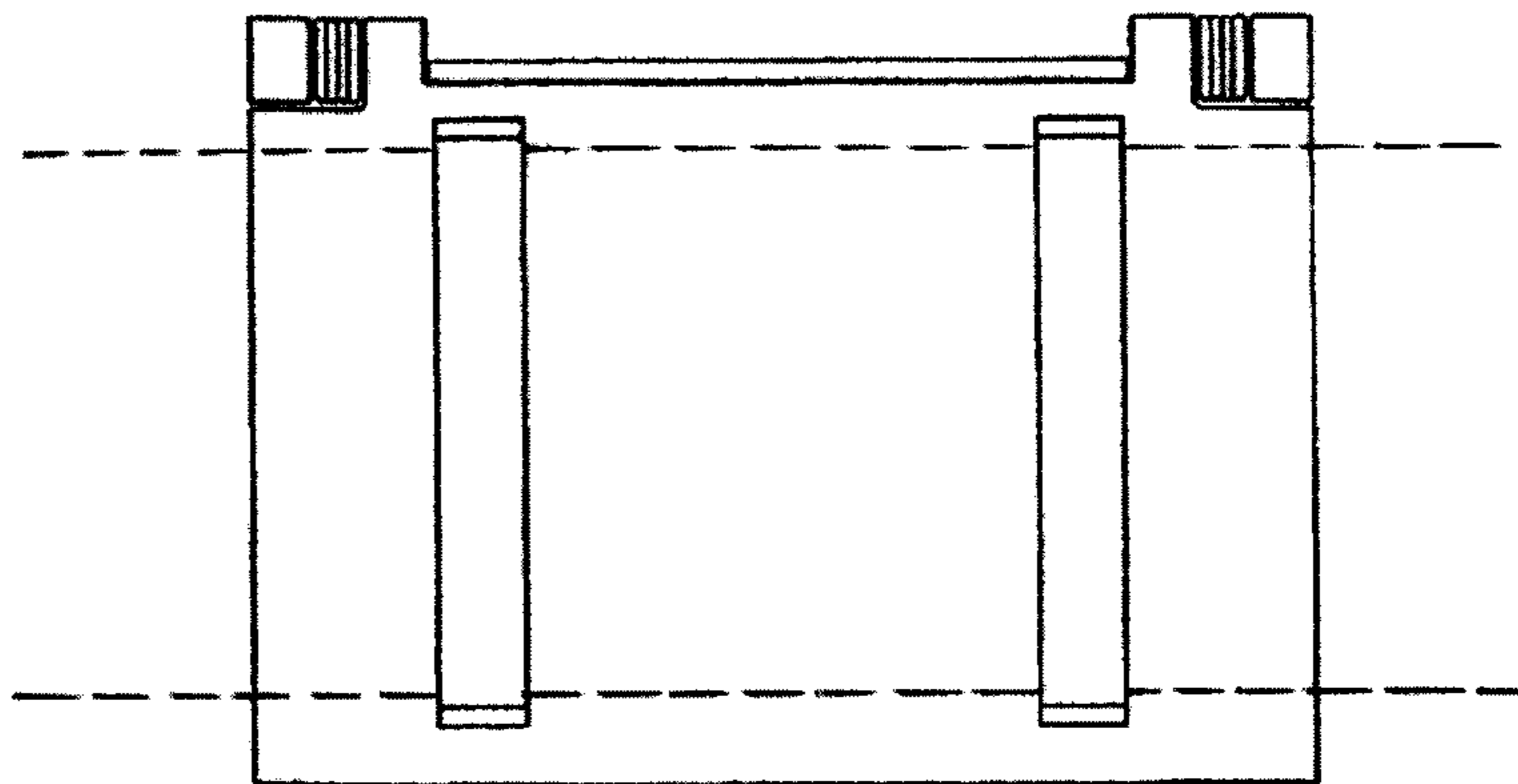


FIG. 6

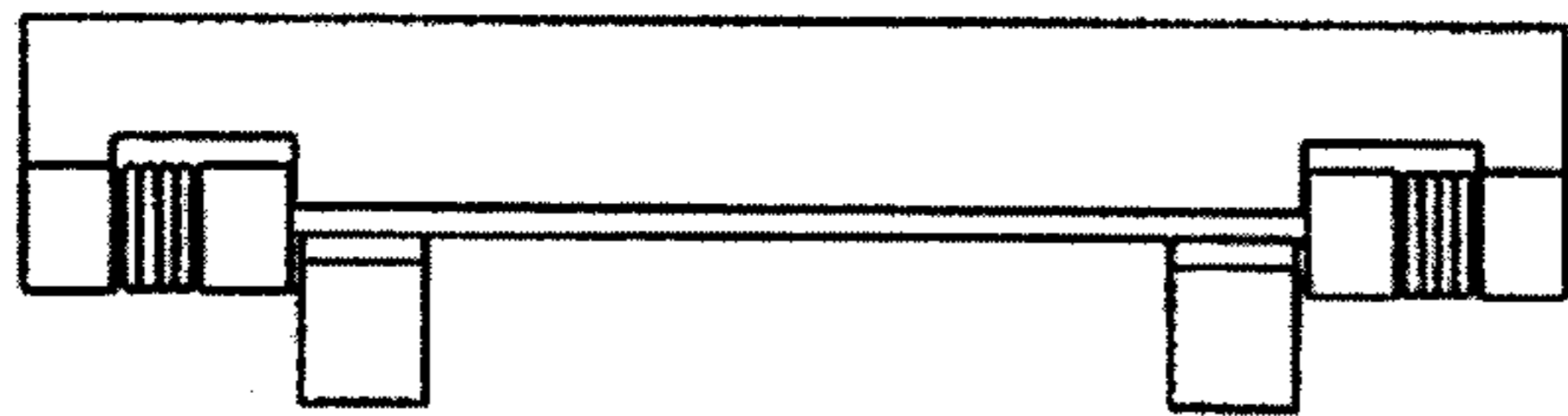


FIG. 7

FIG. 8

