



US00D516453S

(12) **United States Design Patent**  
**Kayamori et al.**

(10) **Patent No.:** **US D516,453 S**  
(45) **Date of Patent:** **\*\* Mar. 7, 2006**

(54) **DECORATIVE EARRING BACK**

(76) Inventors: **Luna Kayamori**, 10 Universal City Plz.  
Suite 2000, Universal City, CA (US)  
91608; **Yoko Kayamori**, 10 Universal  
City Plz. Suite 2000, Universal City,  
CA (US) 91608

(\*\*) **Term:** **14 Years**

(21) **Appl. No.:** **29/215,814**

(22) **Filed:** **Oct. 25, 2004**

(51) **LOC (8) Cl.** ..... **11-01**

(52) **U.S. Cl.** ..... **D11/40; D11/41; D11/88;**  
D11/92

(58) **Field of Classification Search** ..... D11/1,  
D11/2, 6-12, 16, 26-28, 34-43, 47, 75, 79,  
D11/89-93, 88; 63/1.11-14.1, 20, 22, 23,  
63/26-33

See application file for complete search history.

(56) **References Cited**

**U.S. PATENT DOCUMENTS**

- 821,007 A \* 5/1906 White ..... 24/623
- 2,726,521 A \* 12/1955 Melik-Minassiantz ..... 63/27
- D265,641 S \* 8/1982 Bongiorno ..... D11/92

- D378,808 S \* 4/1997 Shechter ..... D11/40
- D379,074 S \* 5/1997 Udko ..... D11/91
- D436,885 S \* 1/2001 Manfredi ..... D11/91

\* cited by examiner

*Primary Examiner*—Louis S. Zarfes  
*Assistant Examiner*—John Windmuller  
(74) *Attorney, Agent, or Firm*—Alston & Bird, LLP

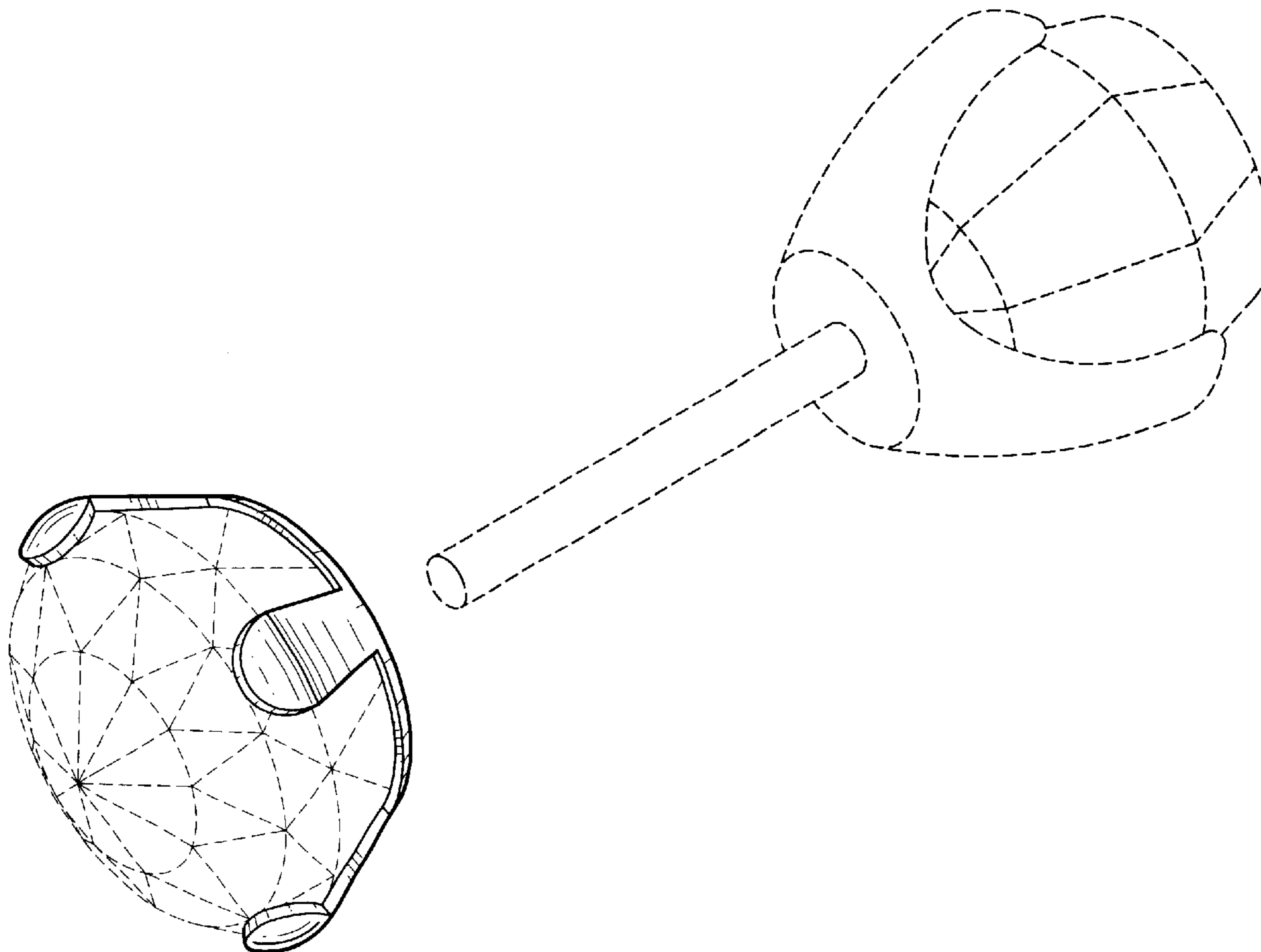
(57) **CLAIM**

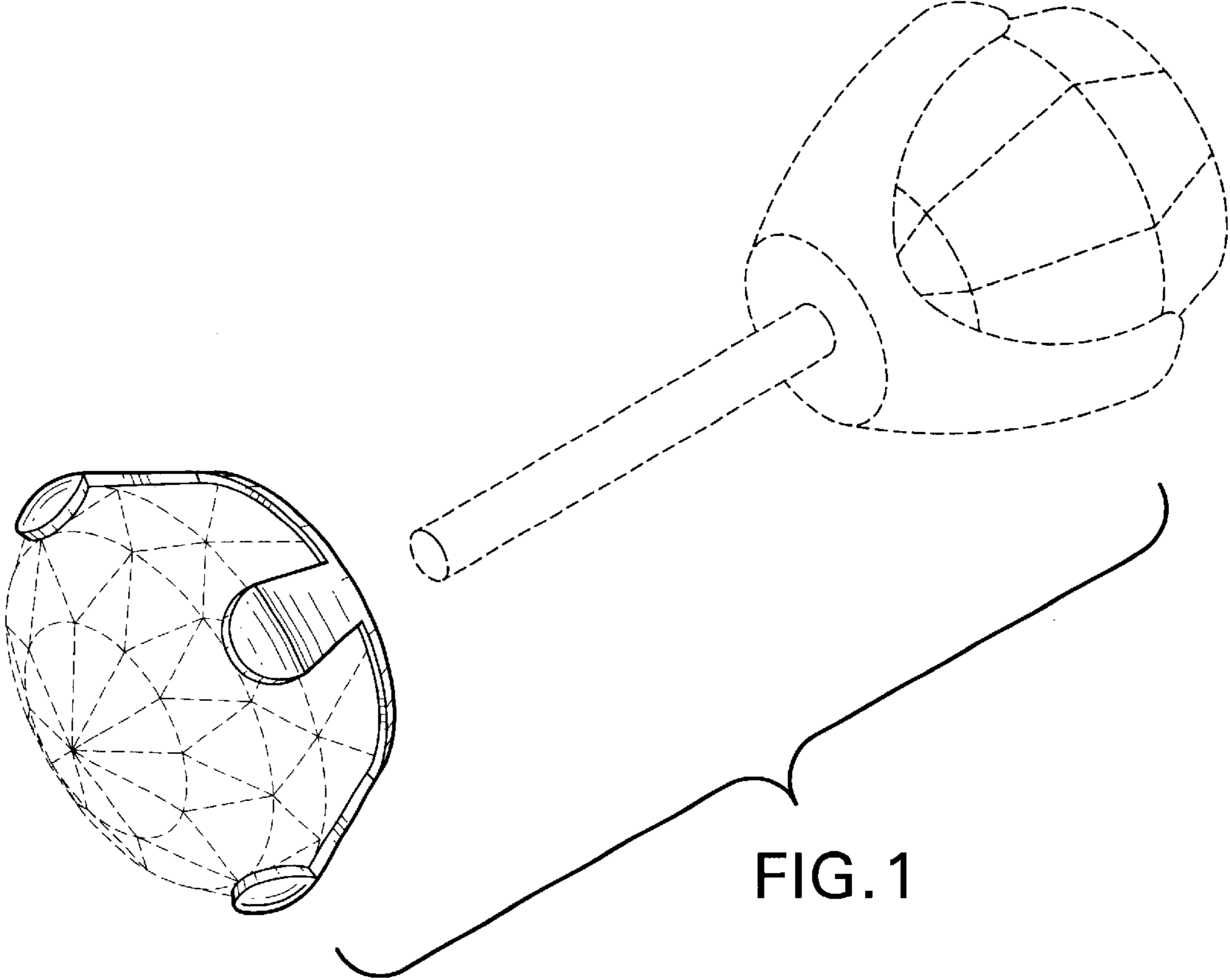
The ornamental design for a decorative earring back, as shown and described.

**DESCRIPTION**

FIG. 1 is a side perspective view of a decorative earring back showing our new design;  
FIG. 2 is a top plan view thereof;  
FIG. 3 is a front elevational view thereof;  
FIG. 4 is a rear elevational view thereof;  
FIG. 5 is a bottom plan view thereof;  
FIG. 6 is a right side elevational view thereof; and,  
FIG. 7 is a left side elevational view thereof.  
The broken line showing of the front portion and post of an earring is for illustrative purposes only and forms no part of the claimed design.

**1 Claim, 3 Drawing Sheets**





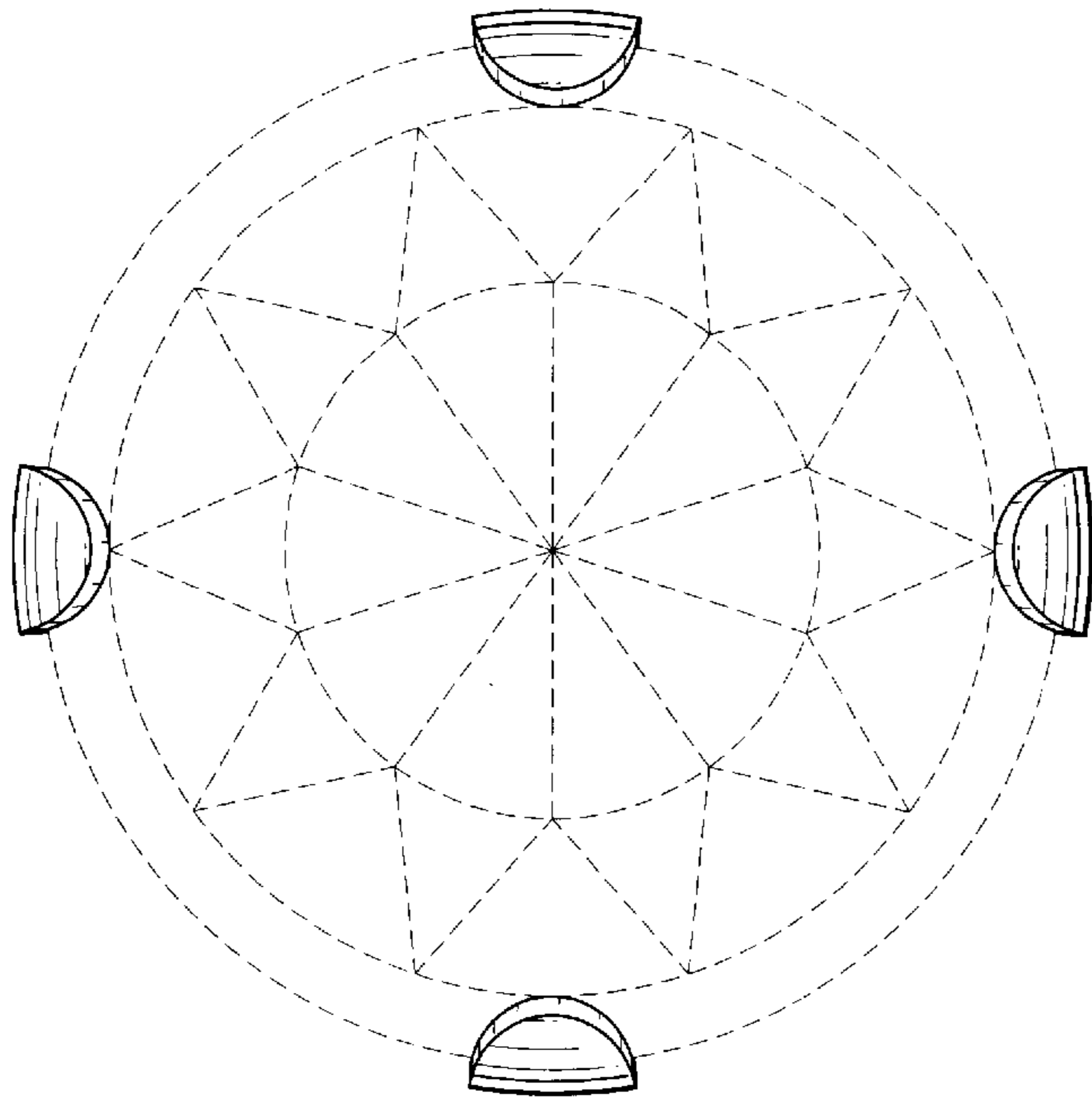


FIG. 2

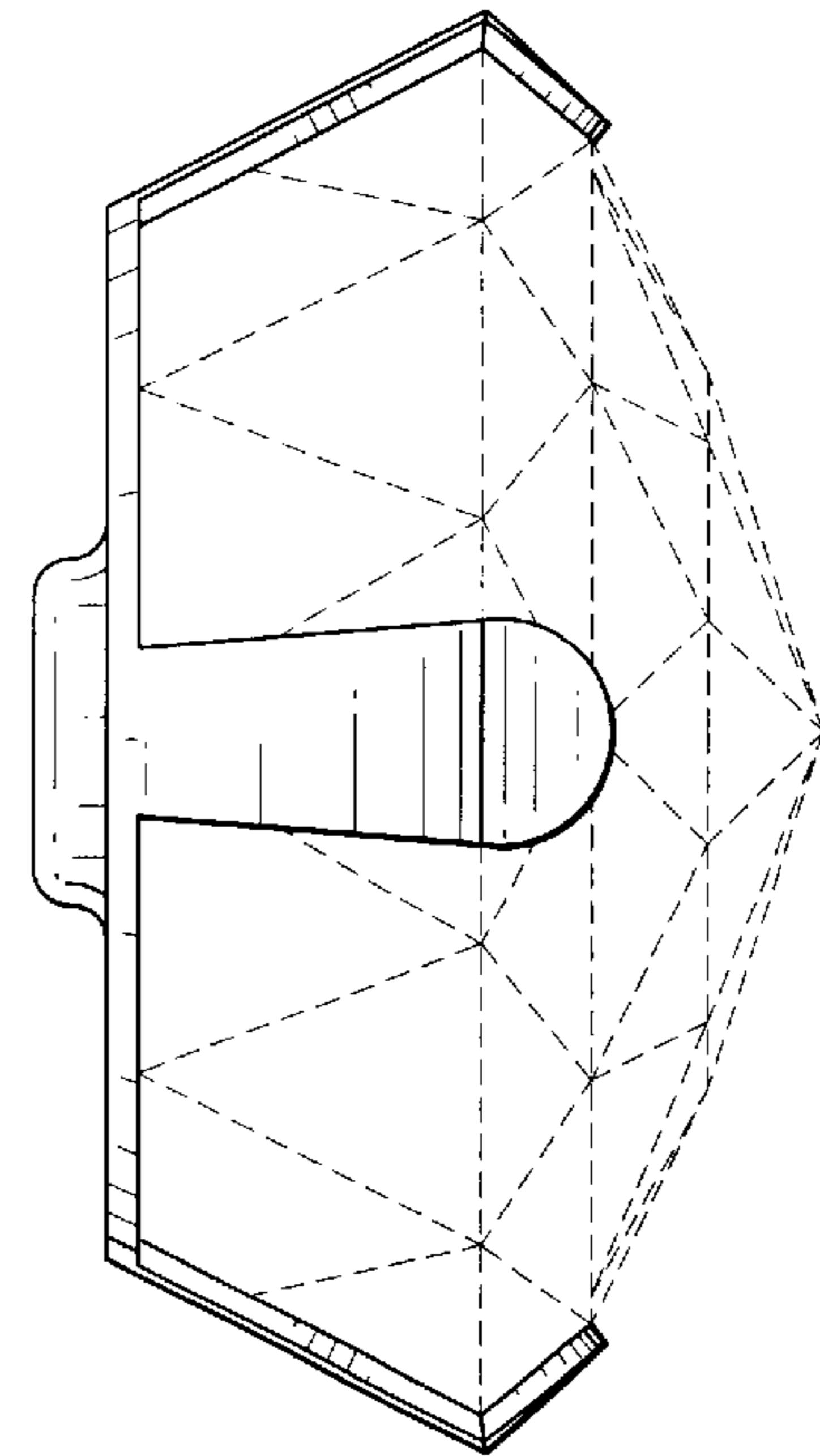


FIG. 3

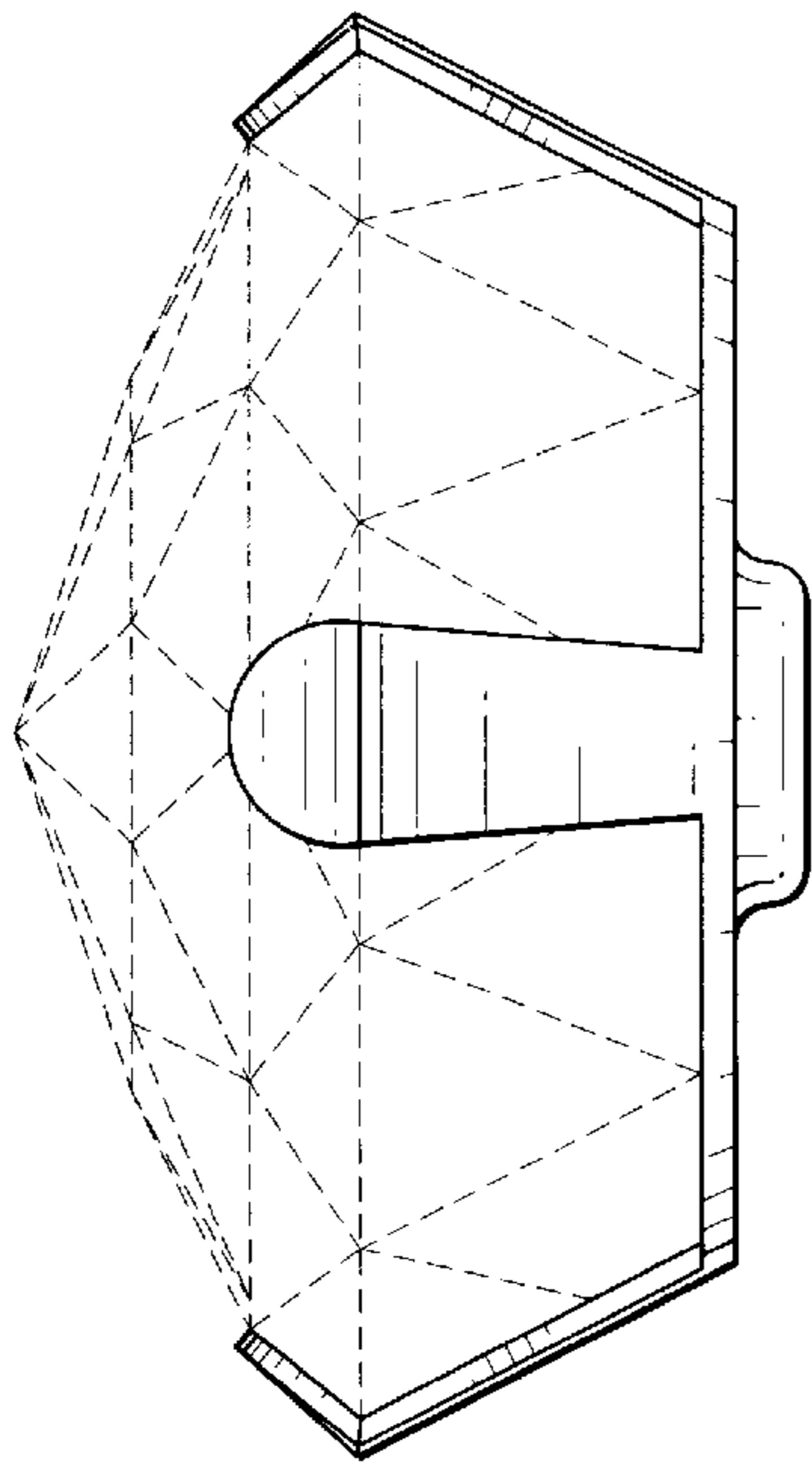


FIG. 4

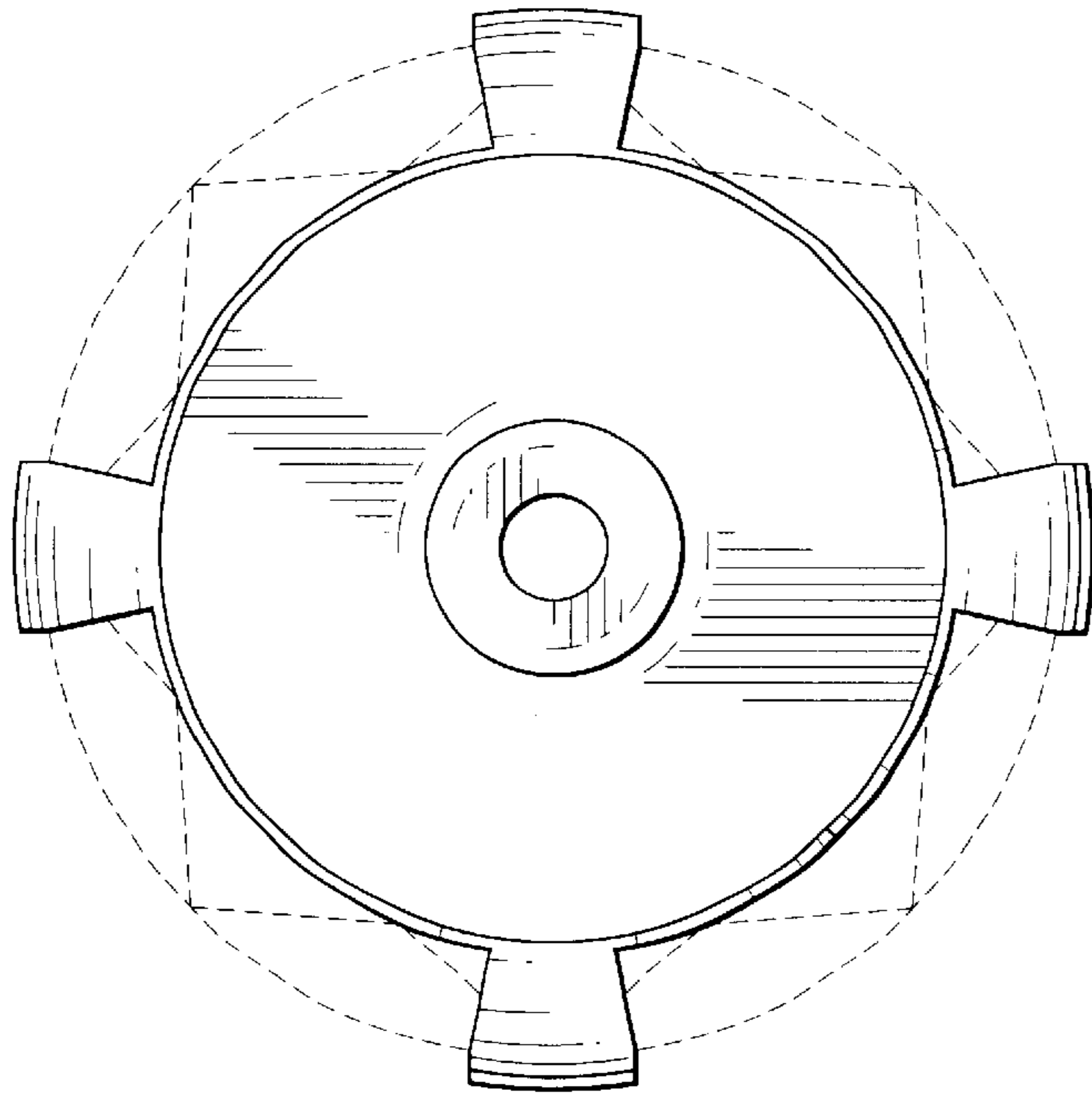


FIG. 5

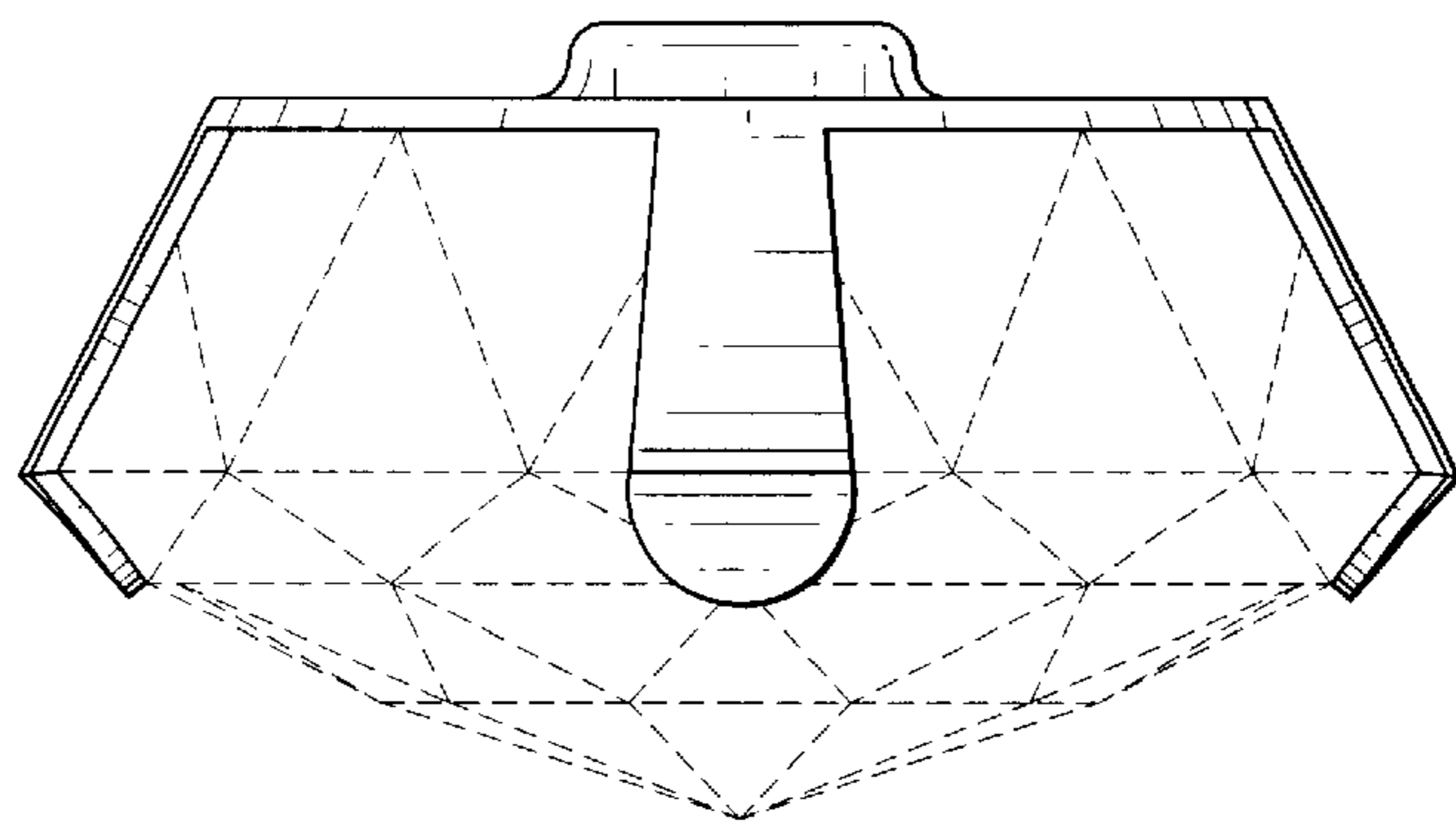


FIG. 6

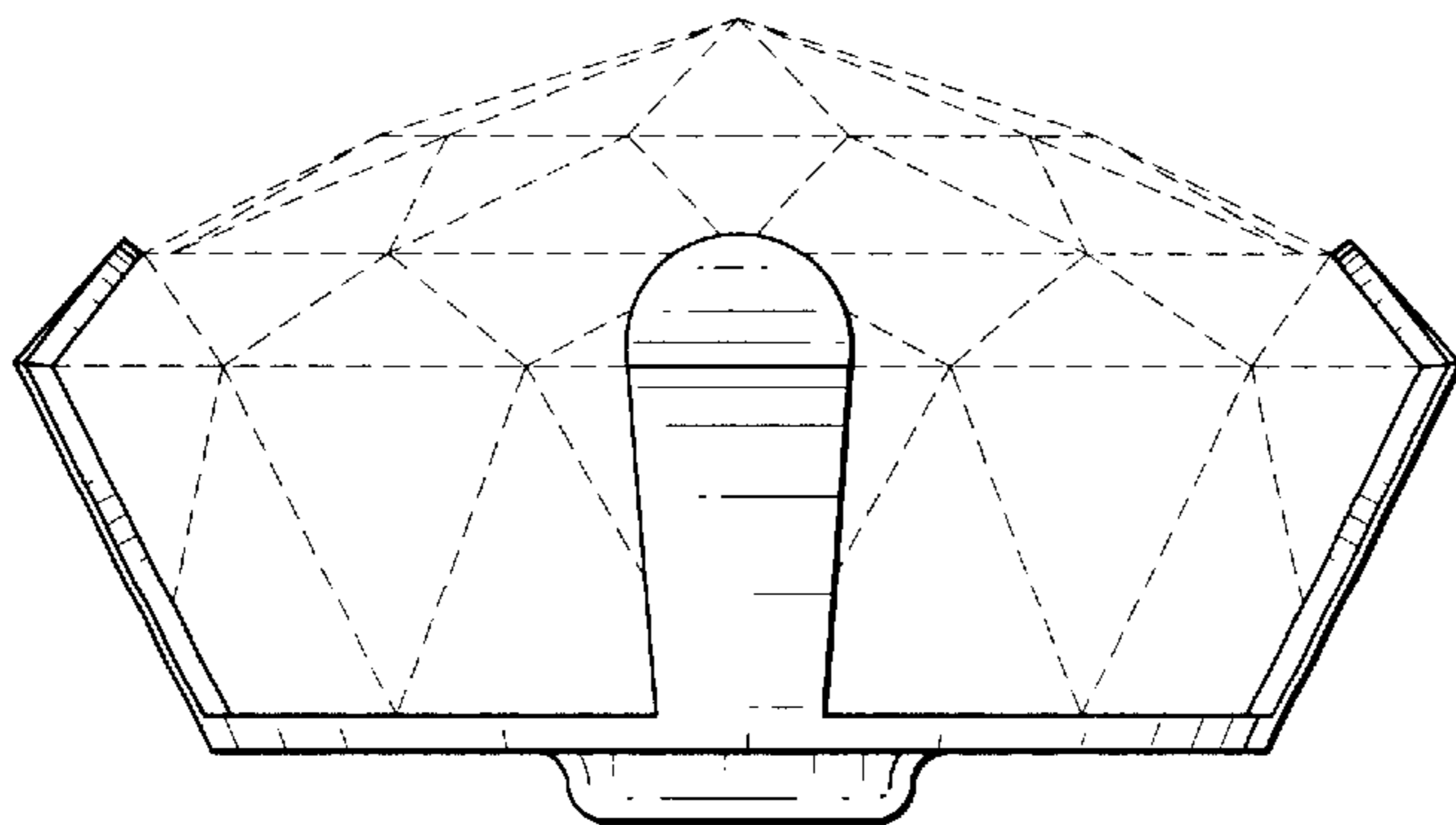


FIG. 7