



US00D516451S

(12) **United States Design Patent**
D'Annunzio

(10) **Patent No.:** **US D516,451 S**
(45) **Date of Patent:** **** Mar. 7, 2006**

- (54) **RING SHANK**
- (75) **Inventor:** **Arthur D'Annunzio**, New York, NY (US)
- (73) **Assignee:** **D'Annunzio Showcase Dealers, Inc.**, New York, NY (US)
- (**) **Term:** **14 Years**
- (21) **Appl. No.:** **29/203,330**
- (22) **Filed:** **Apr. 13, 2004**
- (51) **LOC (8) Cl.** **11-01**
- (52) **U.S. Cl.** **D11/26; D11/35; D11/38**
- (58) **Field of Classification Search** **D11/3, D11/26-39, 49, 50, 56; 63/15, 15.1, 15.2, 63/15.3, 15.4, 15.45, 15.5, 15.6, 15.65, 15.7, 63/15.8, 15.9, 26-28**
See application file for complete search history.

- D167,120 S 6/1952 Sorrentino
- D170,722 S 10/1953 Sager
- D186,990 S 1/1960 Berland
- D203,551 S 1/1966 Tranfield
- 3,321,934 A 5/1967 Boyd
- D220,640 S * 5/1971 Darbo D11/56
- D250,699 S * 1/1979 Barr D11/56
- D271,187 S * 11/1983 Bulgari D11/3
- D290,938 S * 7/1987 Bulgari D11/3
- D293,898 S * 1/1988 Bulgari D11/34
- D304,697 S * 11/1989 Crews D11/56
- D364,830 S 12/1995 Roemer
- D377,769 S 2/1997 Roemer
- D377,916 S 2/1997 Roemer
- D383,410 S 9/1997 Roemer

(Continued)

FOREIGN PATENT DOCUMENTS

DE 44 25 746 A1 1/1995

OTHER PUBLICATIONS

Platinum Edition X; p. 40; middle left side of page; from Platinum Guild International USA Catalogue.*

Primary Examiner—Cathy Anne MacCormac
Assistant Examiner—Melanie Levy
(74) *Attorney, Agent, or Firm*—Ohlandt, Greeley, Ruggiero & Perle, L.L.P.

(56) **References Cited**

U.S. PATENT DOCUMENTS

- 72,224 A 12/1867 Palmer
- 298,100 A 5/1884 Lee
- D48,232 S 11/1915 Rosenberger
- D48,763 S 3/1916 Roede
- 1,325,840 A 12/1919 Feagans
- 1,333,284 A 3/1920 Schreiber
- D58,601 S 8/1921 Kreisler
- D60,418 S 2/1922 Kreisler
- D60,495 S 2/1922 Kreisler
- D62,727 S 7/1923 Hodnefield
- D65,362 S 7/1924 Wittstein et al.
- D79,259 S 8/1929 Schaeffer
- 1,758,447 A 5/1930 Leibs
- 1,936,604 A 11/1933 Moldenhauer
- D109,800 S 5/1938 Foss
- D115,931 S 8/1939 Kronstadt
- 2,182,876 A 12/1939 Moldenhaur
- D118,591 S 1/1940 Cohn
- D140,548 S 3/1945 Klein
- D145,213 S * 7/1946 Hobe D11/56
- D146,524 S 3/1947 Robbins
- D149,653 S 5/1948 Koven

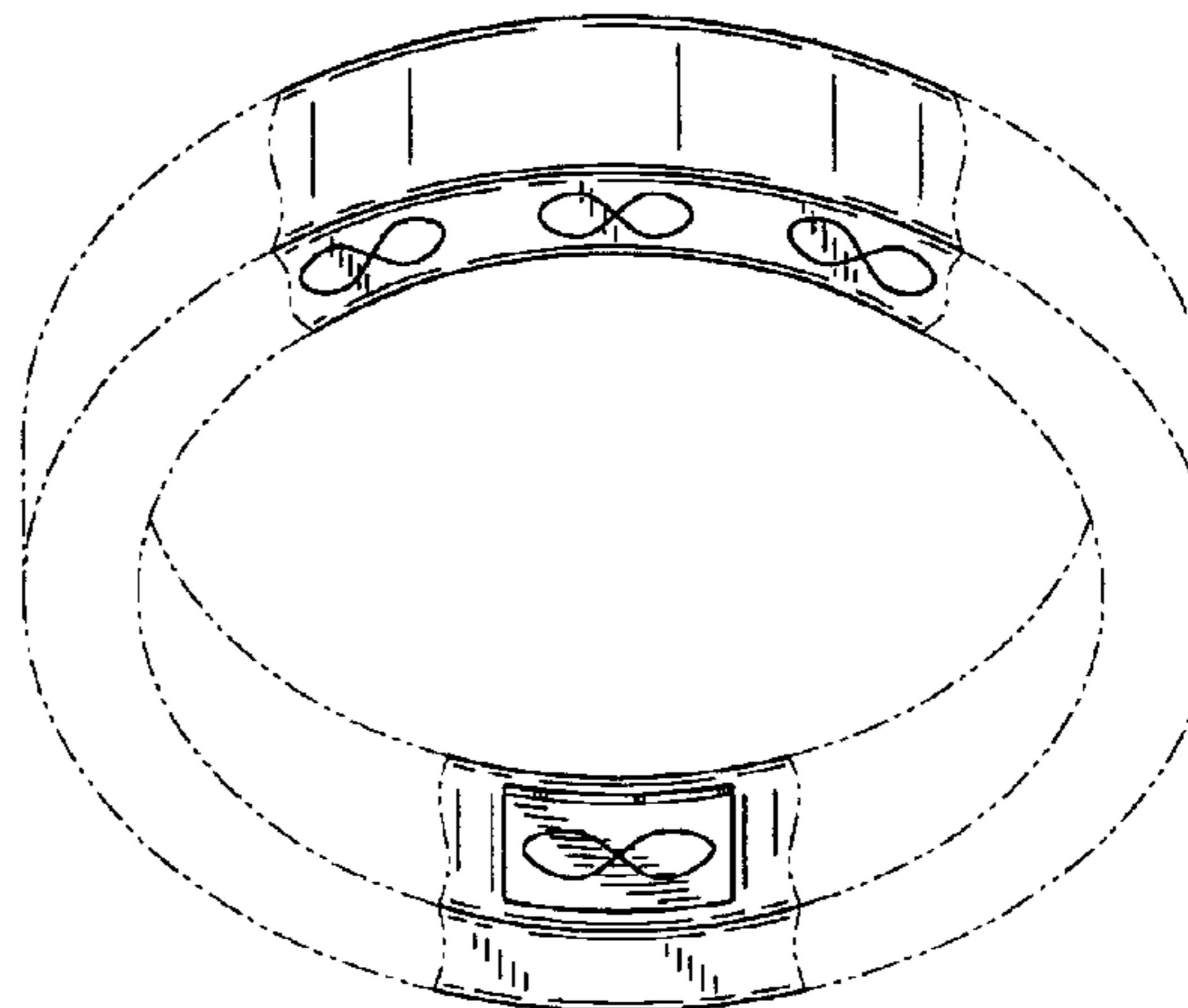
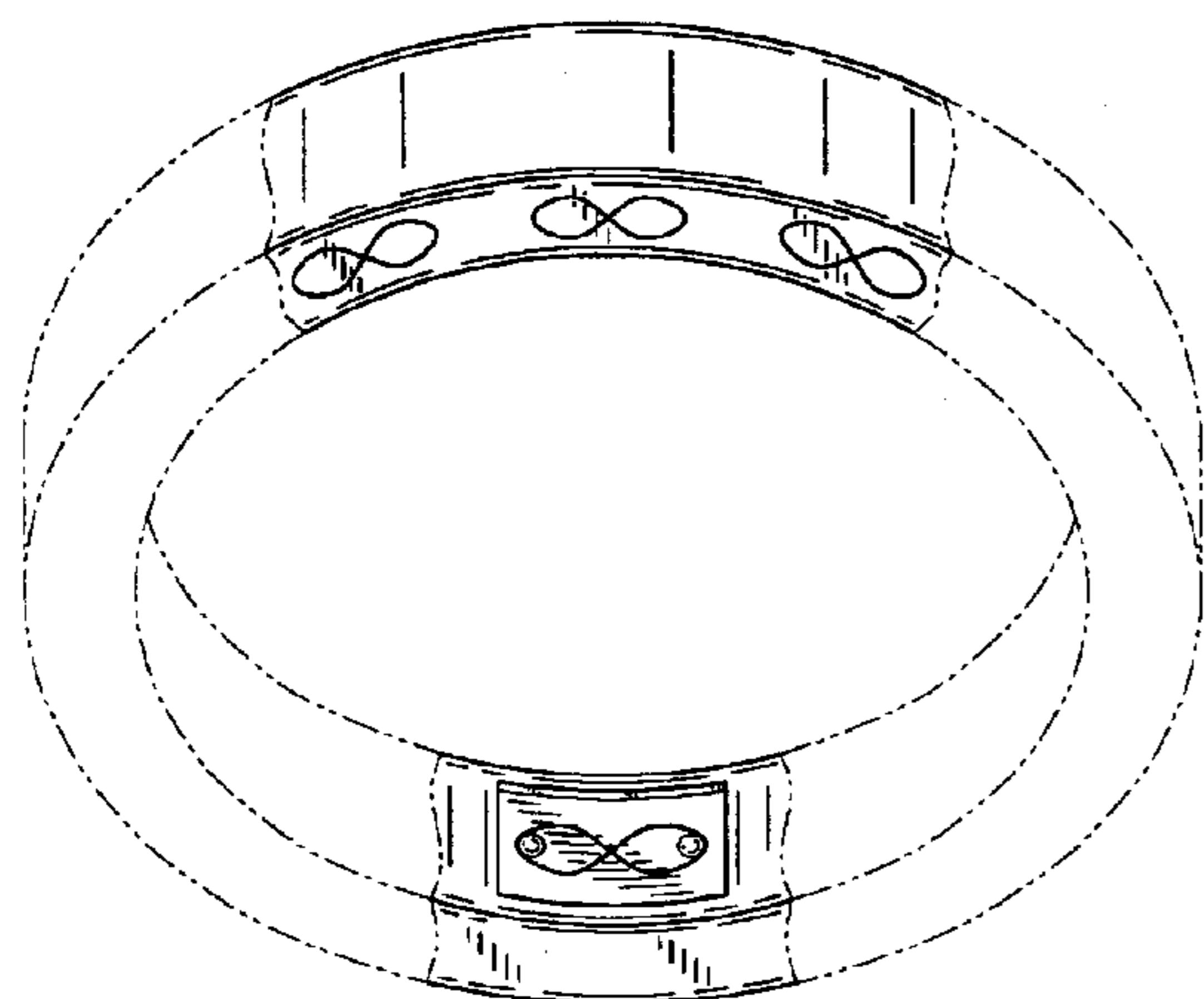
(57) **CLAIM**

The ornamental design for a ring shank, as shown and described.

DESCRIPTION

FIG. 1 is a perspective view of a ring shank showing my new design;
FIG. 2 is a side elevational view thereof;
FIG. 3 is a perspective view of an alternative embodiment of FIG. 1; and,
FIG. 4 is a side elevational view of FIG. 3.
The broken lines in FIGS. 1 through 4 are for illustrative purposes only and form no part of the claimed design.

1 Claim, 2 Drawing Sheets



US D516,451 S

Page 2

U.S. PATENT DOCUMENTS

5,669,241 A	9/1997	Kohl	
D390,153 S	* 2/1998	Shenhav	D11/56
D393,811 S	4/1998	Morrison	
5,987,919 A	11/1999	Hooser	
D418,078 S	12/1999	Pasquetti	
D423,393 S	4/2000	Morris	
D431,792 S	10/2000	Ferreira	
D434,687 S	12/2000	Pasquetti	
6,212,908 B1	4/2001	Melas	
D442,509 S	5/2001	Yamanaka	
D464,900 S	10/2002	Repossi	
D471,837 S	3/2003	Valentini et al.	
D472,494 S	4/2003	Valentini et al.	
6,581,413 B1	6/2003	Kadosh	
D480,321 S	10/2003	Roemer	
D484,823 S	* 1/2004	Pachachi	D11/56
D488,739 S	* 4/2004	Pachachi	D11/56
D491,091 S	* 6/2004	Osinga	D11/26

* cited by examiner

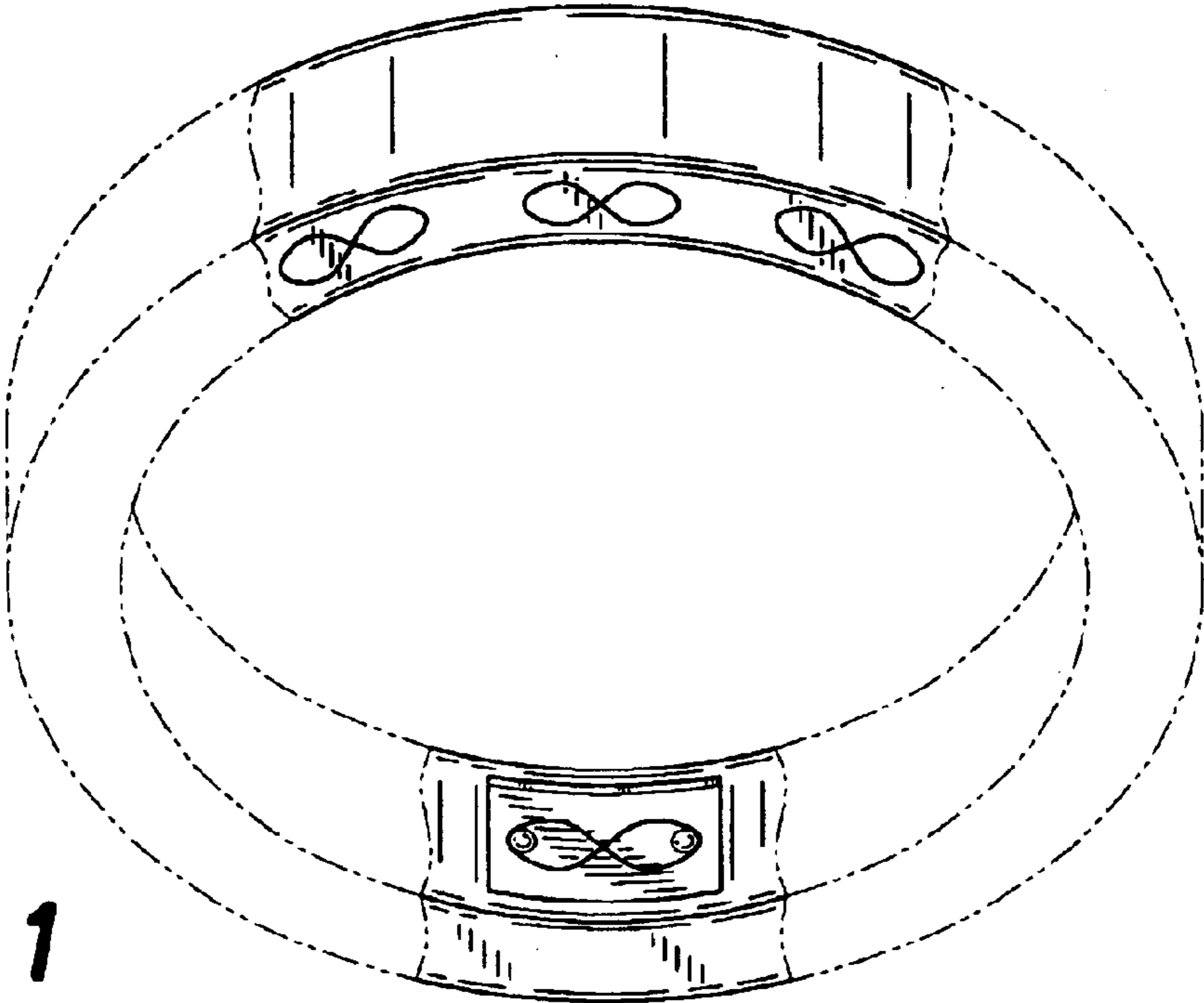


FIG. 1

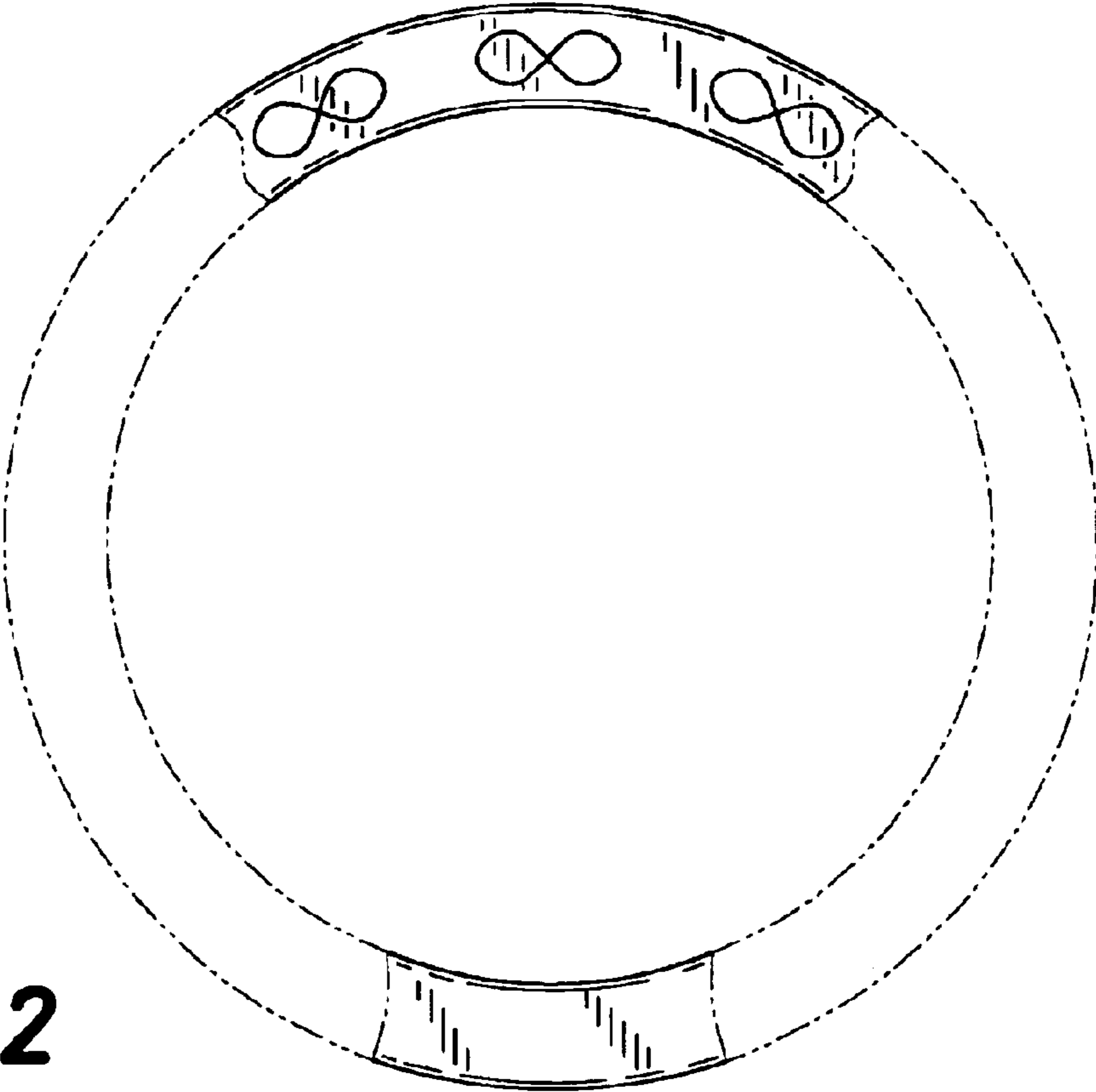


FIG. 2

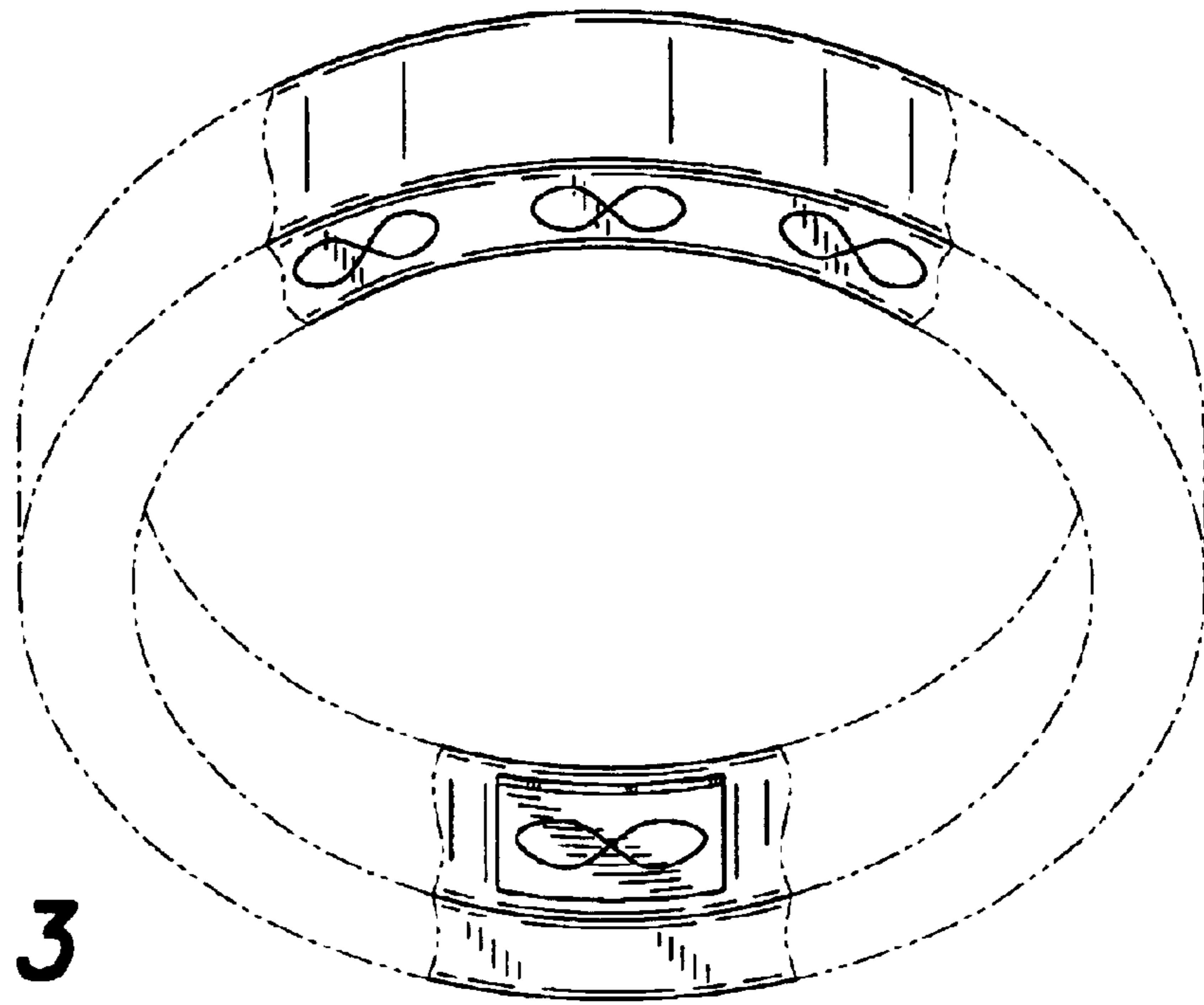


FIG. 3

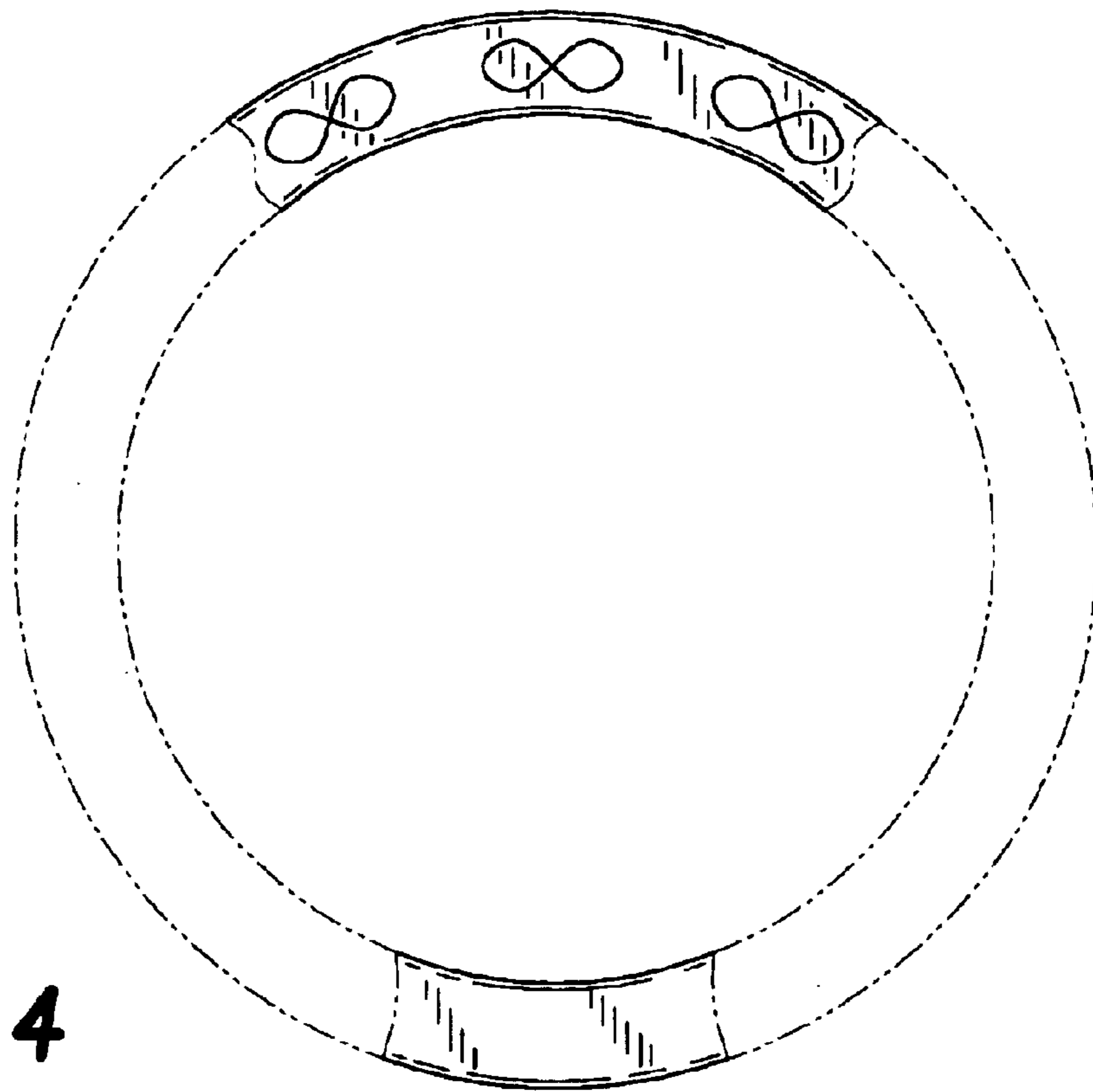


FIG. 4