



US00D516448S

(12) **United States Design Patent**  
**Lai**

(10) **Patent No.:** **US D516,448 S**  
(45) **Date of Patent:** **\*\* Mar. 7, 2006**

(54) **BACKUP ALARM**

(76) **Inventor:** **Hsi-Chi Lai**, 1F, No. 9, Lane 30,  
Tai-Ho Street, Chung-Ho City, Taipei  
Hsien (TW)

(\*\*) **Term:** **14 Years**

(21) **Appl. No.:** **29/220,456**

(22) **Filed:** **Dec. 31, 2004**

(51) **LOC (8) Cl.** ..... **10-06**

(52) **U.S. Cl.** ..... **D10/120**

(58) **Field of Classification Search** ..... D26/28,  
D26/1; D10/120, 119, 116, 111, 104, 102;  
340/463, 436, 435, 384.4, 384.1

See application file for complete search history.

(56) **References Cited**

**U.S. PATENT DOCUMENTS**

D205,957 S	*	10/1966	Nagel	.....	D26/28
D237,648 S	*	11/1975	Cibie	.....	D26/28
4,603,317 A	*	7/1986	Gailbreath et al.	.....	340/463
D313,195 S	*	12/1990	Memola	.....	D10/120
D338,165 S	*	8/1993	Gregori et al.	.....	D10/104
D339,647 S	*	9/1993	Kawashima et al.	.....	D26/24

D347,596 S	*	6/1994	Jackson	.....	D10/106
D397,635 S	*	9/1998	Chu	.....	D10/120
D397,636 S	*	9/1998	Chu	.....	D10/120
D452,454 S	*	12/2001	Bekasi et al.	.....	D10/120
D453,306 S	*	2/2002	Bekasi	.....	D10/120
D485,201 S	*	1/2004	Corrigan	.....	D10/120
2001/0043142 A1	*	11/2001	Milliken	.....	340/463

\* cited by examiner

*Primary Examiner*—Cathron C. Brooks

*Assistant Examiner*—Austin Murphy

(57) **CLAIM**

The ornamental design for backup alarm, as shown and described.

**DESCRIPTION**

FIG. 1 is a perspective view of backup alarm showing my new design;

FIG. 2 is a front elevational view thereof;

FIG. 3 is a rear elevational view thereof;

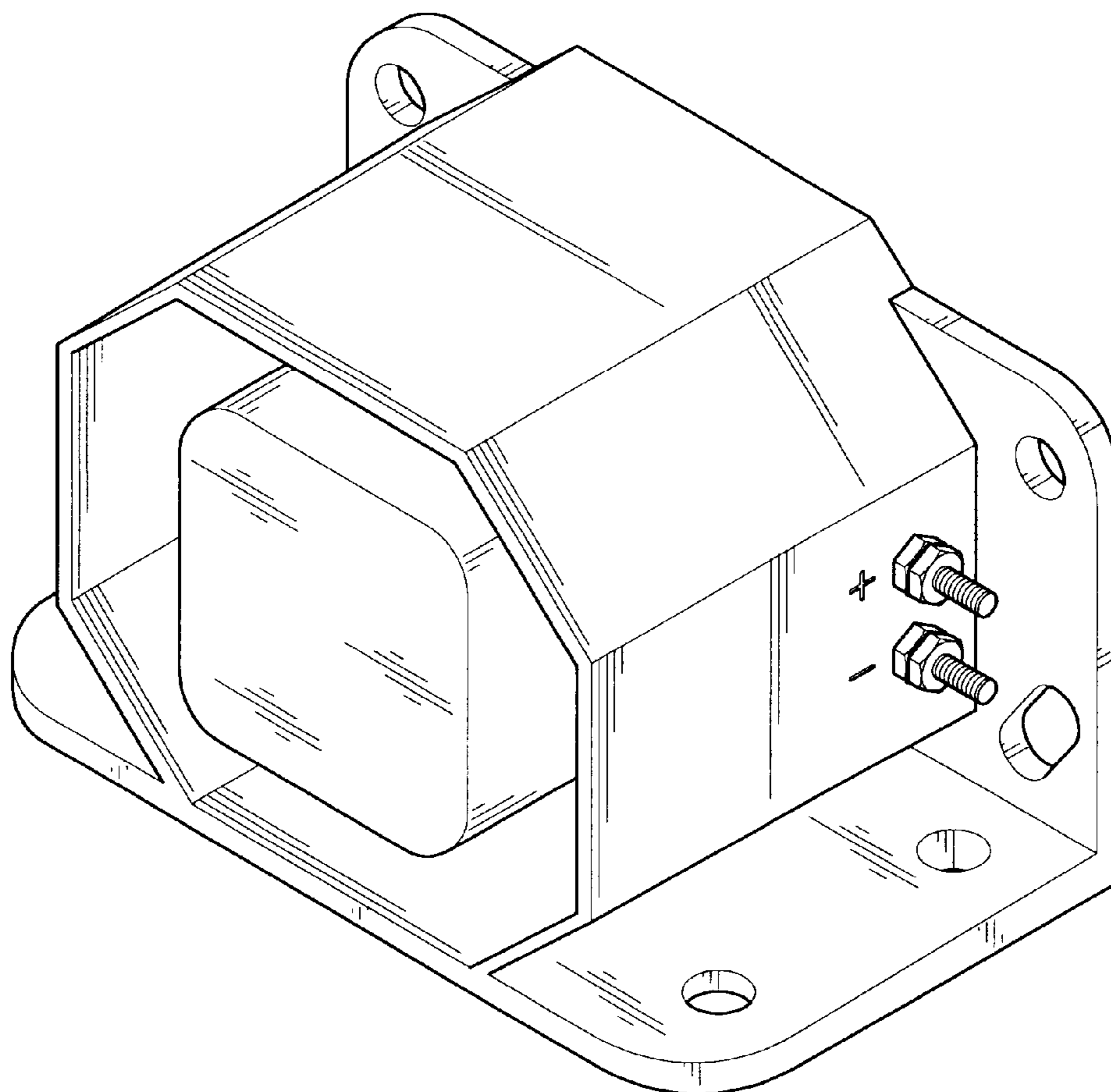
FIG. 4 is a left side elevational view thereof;

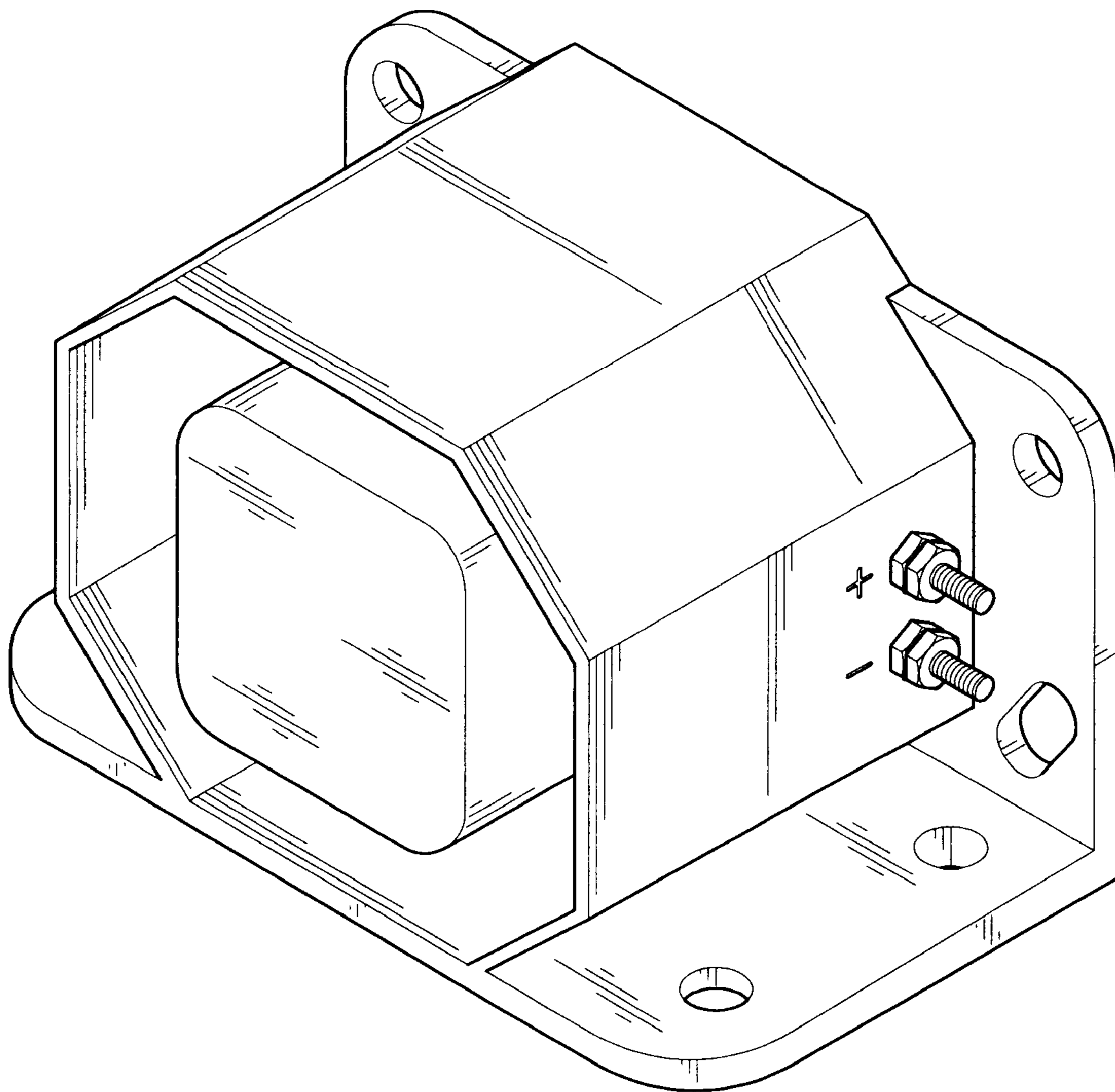
FIG. 5 is right side elevational view thereof;

FIG. 6 is a top view thereof; and,

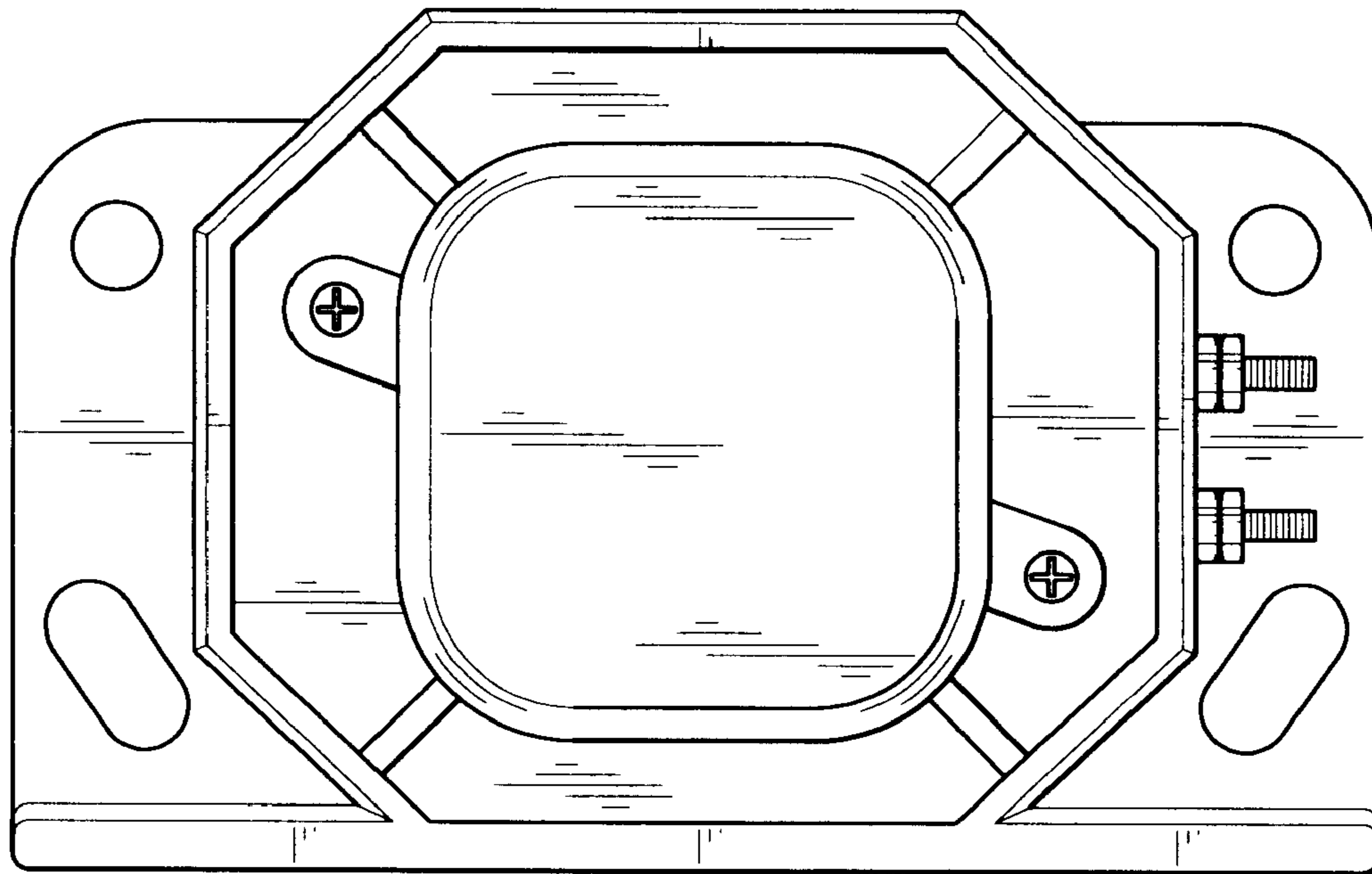
FIG. 7 is a bottom view thereof.

**1 Claim, 7 Drawing Sheets**

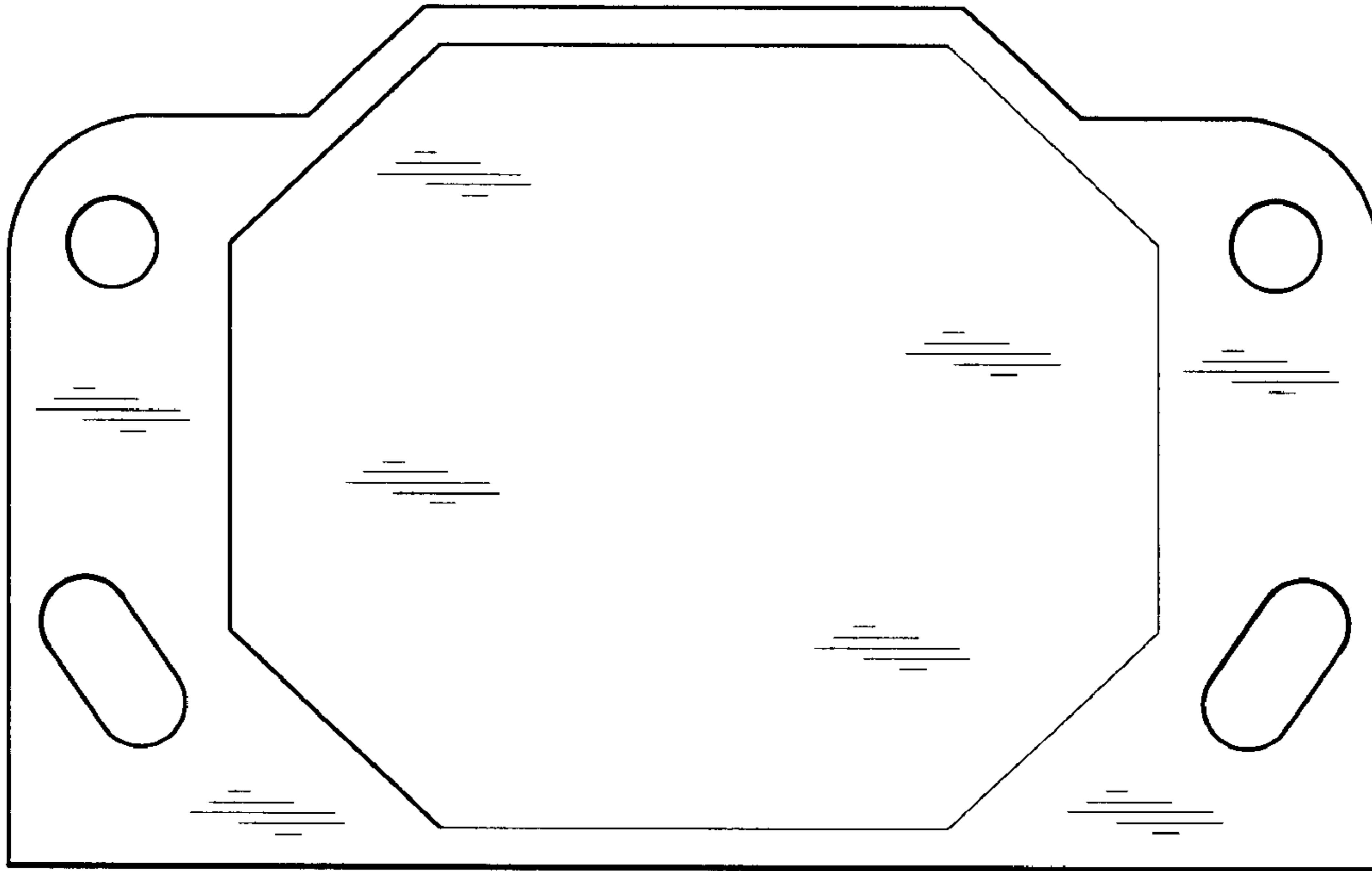




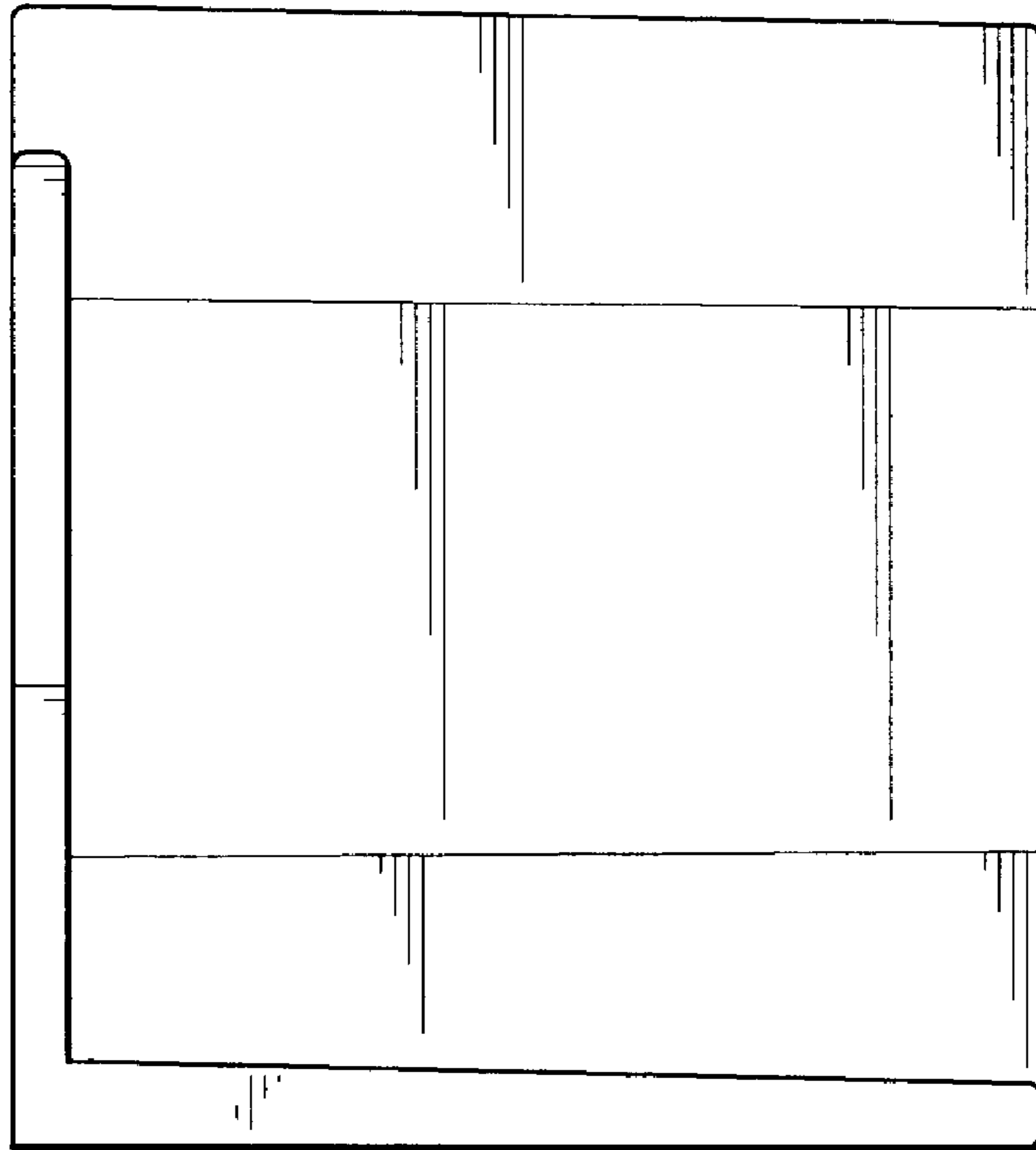
**FIG. 1**



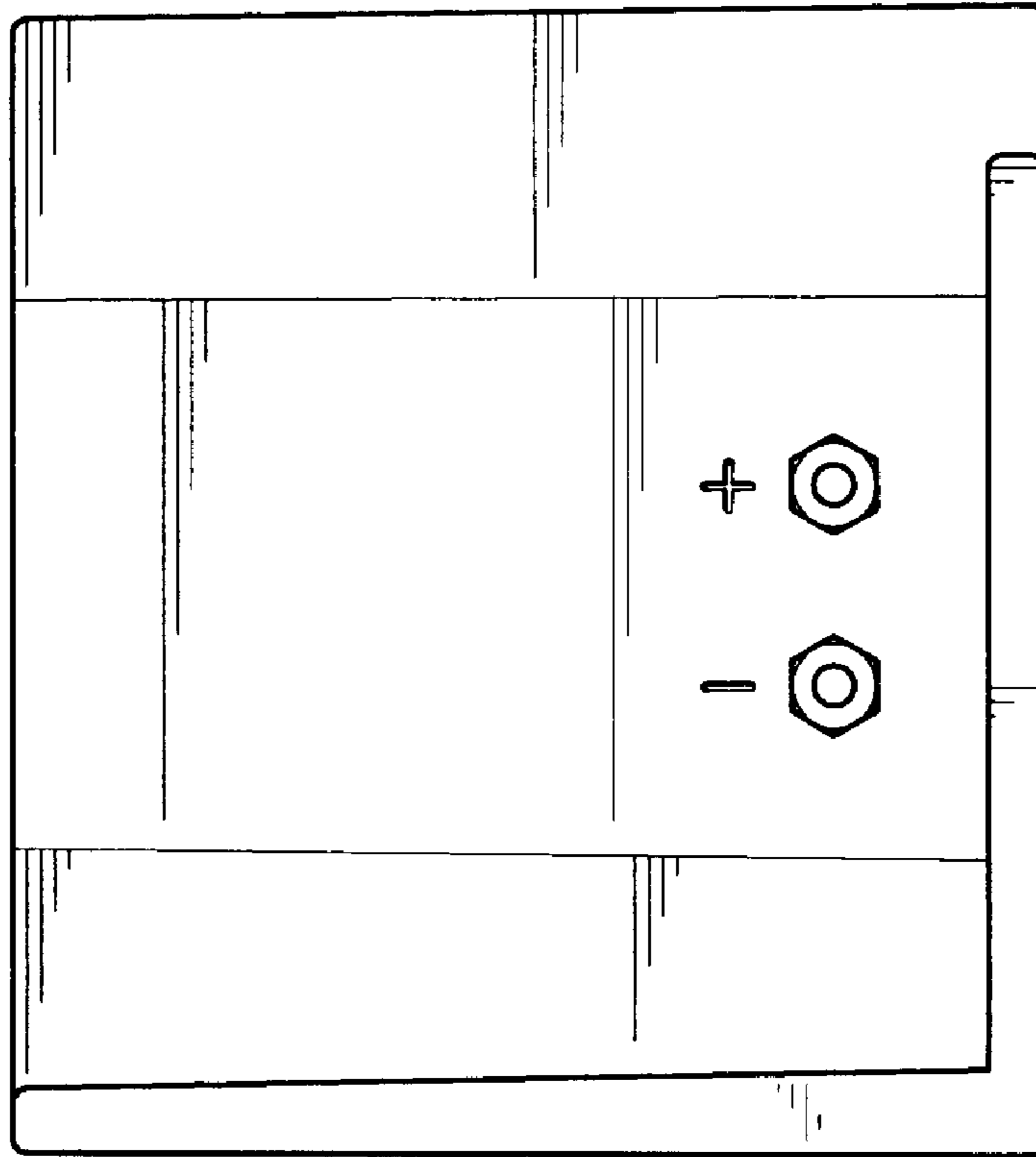
**FIG. 2**



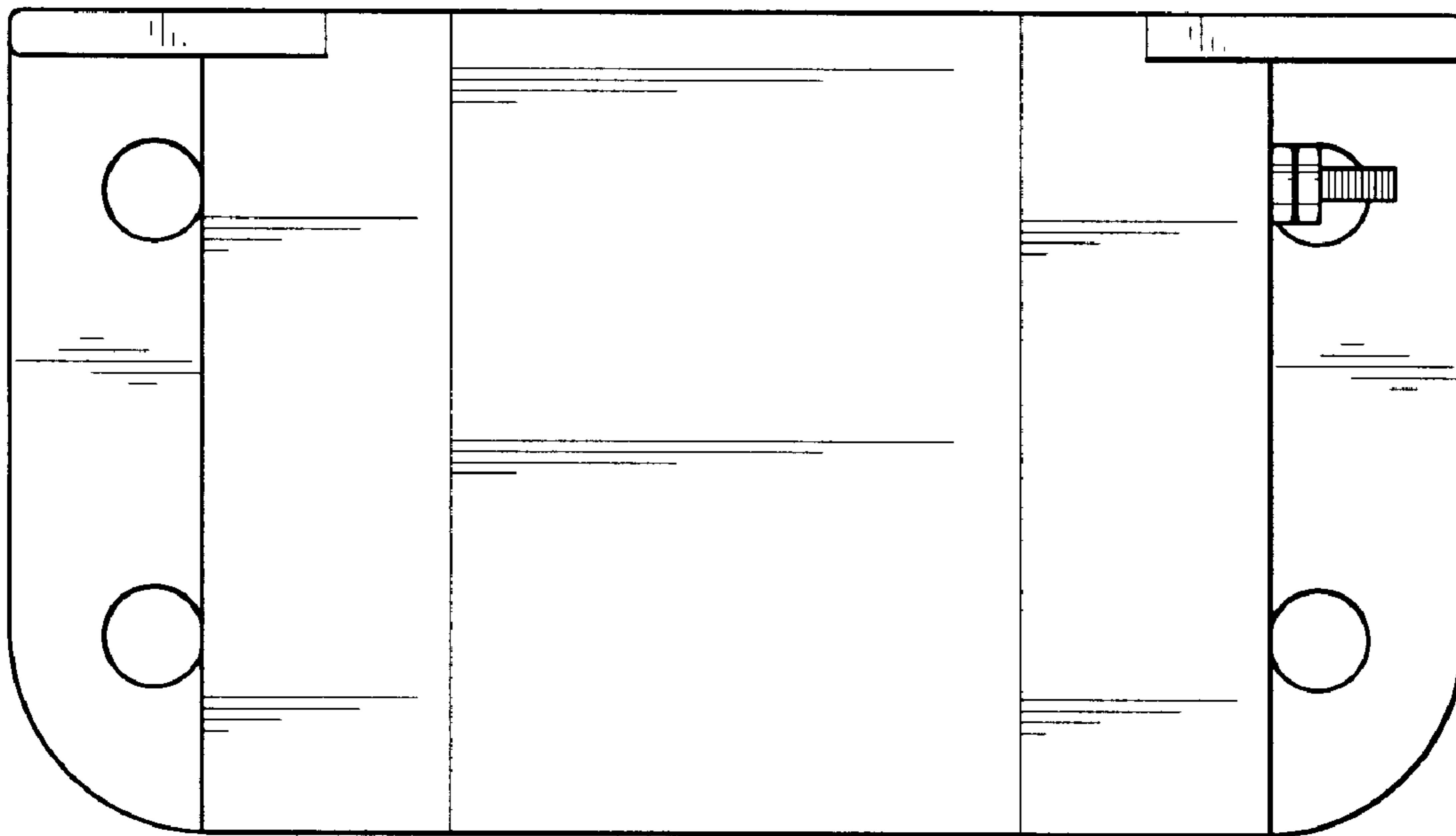
**FIG. 3**



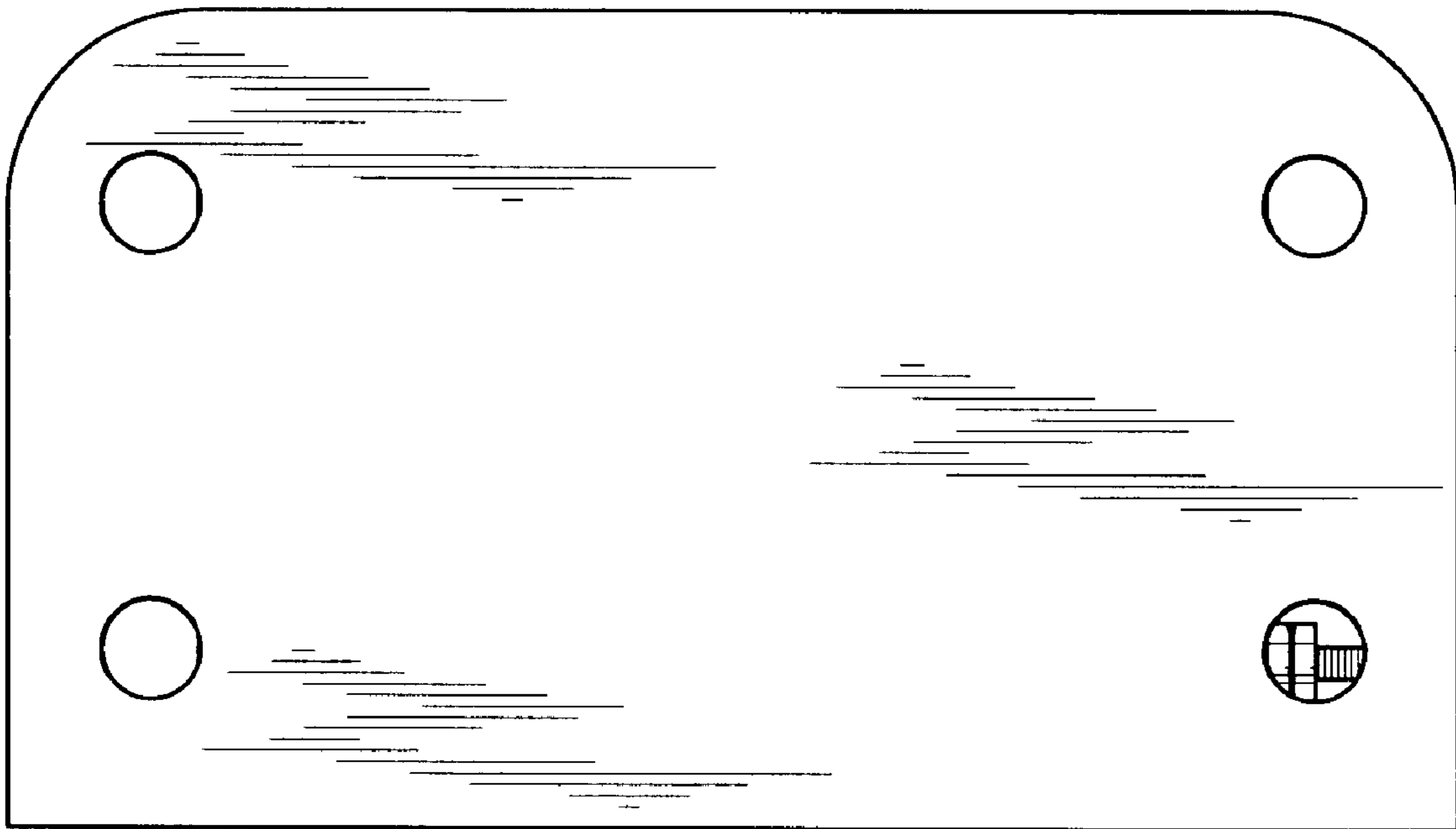
**FIG. 4**



**FIG. 5**



**FIG. 6**



**FIG. 7**