



US00D516447S

(12) **United States Design Patent**  
**Barnett**

(10) **Patent No.:** **US D516,447 S**  
(45) **Date of Patent:** **\*\* Mar. 7, 2006**

(54) **BI-DIRECTIONAL NOTIFICATION SIGNAL FOR DIRECTING TRAFFIC**

(76) **Inventor:** **Terry L. Barnett**, 163 Whitney Ave., Moorpark, CA (US) 93021

(\*\*) **Term:** **14 Years**

(21) **Appl. No.:** **29/213,938**

(22) **Filed:** **Sep. 24, 2004**

(51) **LOC (8) Cl.** ..... **10-05**

(52) **U.S. Cl.** ..... **D10/114**

(58) **Field of Classification Search** ..... D26/30, D26/31, 85, 82, 79, 78, 76, 75, 72, 26; D13/160; D10/111, 114; D20/17, 42; 315/77; 40/591; 340/473; 362/20, 95

See application file for complete search history.

(56) **References Cited**

**U.S. PATENT DOCUMENTS**

2,938,110 A	5/1960	Busch et al.	
3,274,548 A	9/1966	Brimsek	
3,471,829 A	10/1969	Kahn	
4,622,494 A	* 11/1986	Johnson	315/77
D320,363 S	10/1991	Lyons	
5,103,205 A	4/1992	Halligan	
D326,826 S	* 6/1992	Trimble, Jr.	D10/114
D326,870 S	* 6/1992	Giammanco	D20/43

D341,438 S	* 11/1993	Samson	D26/31
D354,991 S	* 1/1995	DeSutter	D20/42
D388,725 S	* 1/1998	Estrada	D10/111
D390,675 S	* 2/1998	Wilson	D26/30
D409,318 S	* 5/1999	Hopkins et al.	D26/31
D410,209 S	* 5/1999	Banas	D10/114
D422,524 S	* 4/2000	Tam	D10/114
6,138,394 A	10/2000	Sulenski	
D476,039 S	* 6/2003	Forman	D20/17
D478,633 S	* 8/2003	Beghelli	D20/42

\* cited by examiner

*Primary Examiner*—Cathron C. Brooks

*Assistant Examiner*—Austin Murphy

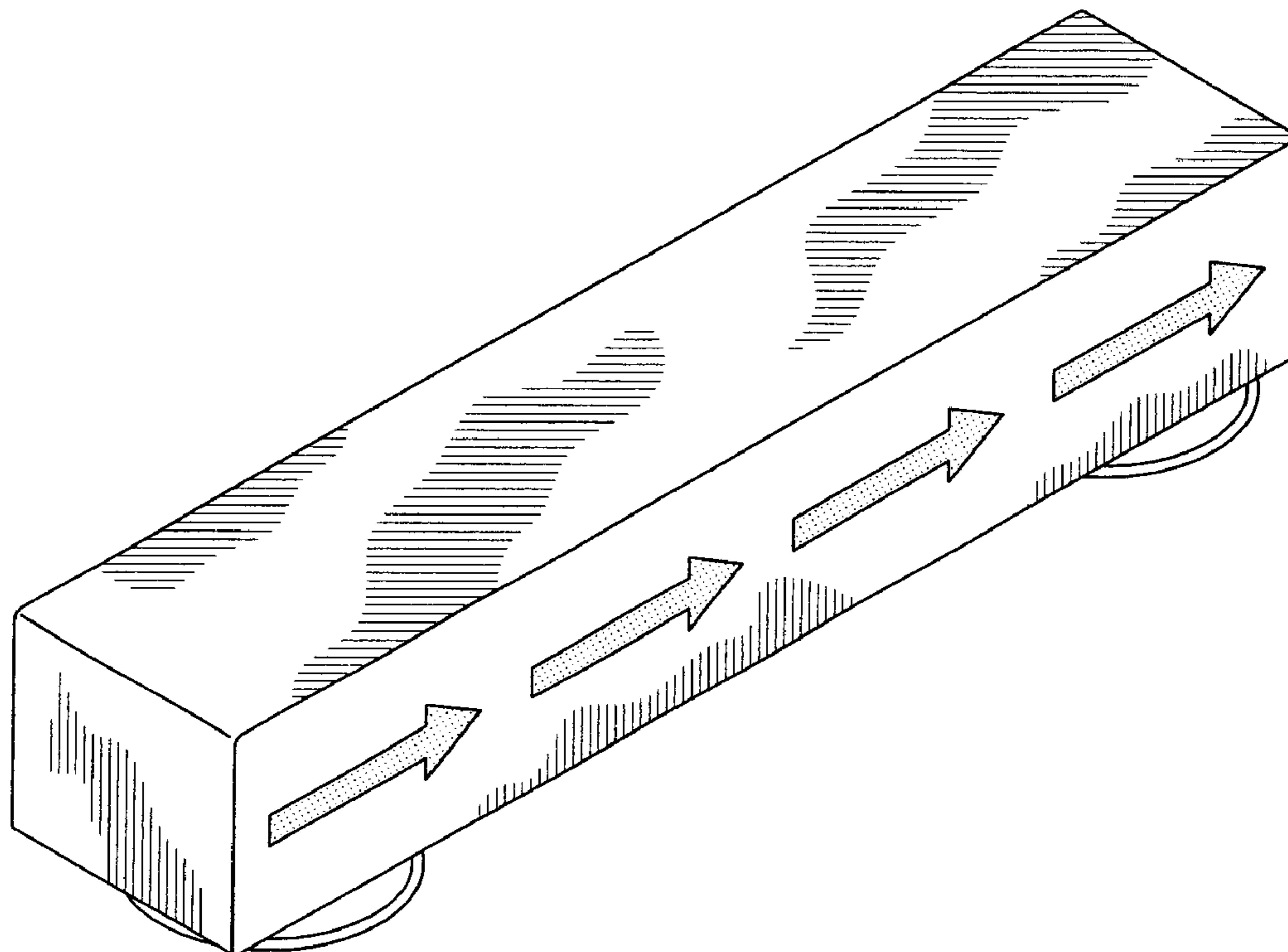
(57) **CLAIM**

The ornamental design for a bi-directional notification signal for directing traffic, as shown and described.

**DESCRIPTION**

FIG. 1 is a front elevational view of a bi-directional notification signal for directing traffic showing my new design; FIG. 2 is a rear elevational view thereof; FIG. 3 is a left side elevational view thereof; FIG. 4 is a right side elevational view thereof; FIG. 5 is a top plan view thereof; FIG. 6 is a bottom plan view thereof; and, FIG. 7 is a perspective view thereof.

**1 Claim, 3 Drawing Sheets**



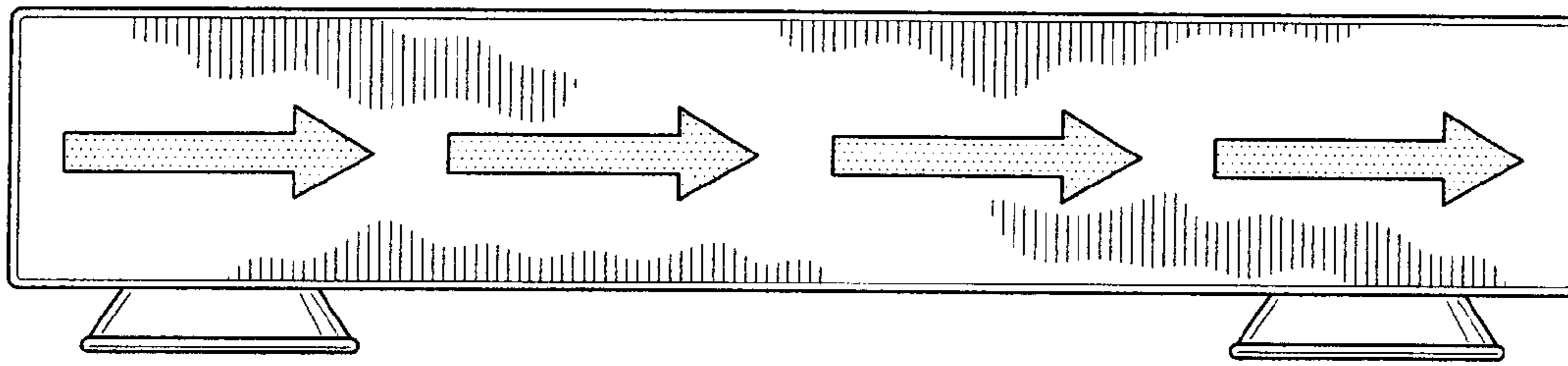


FIG. 1

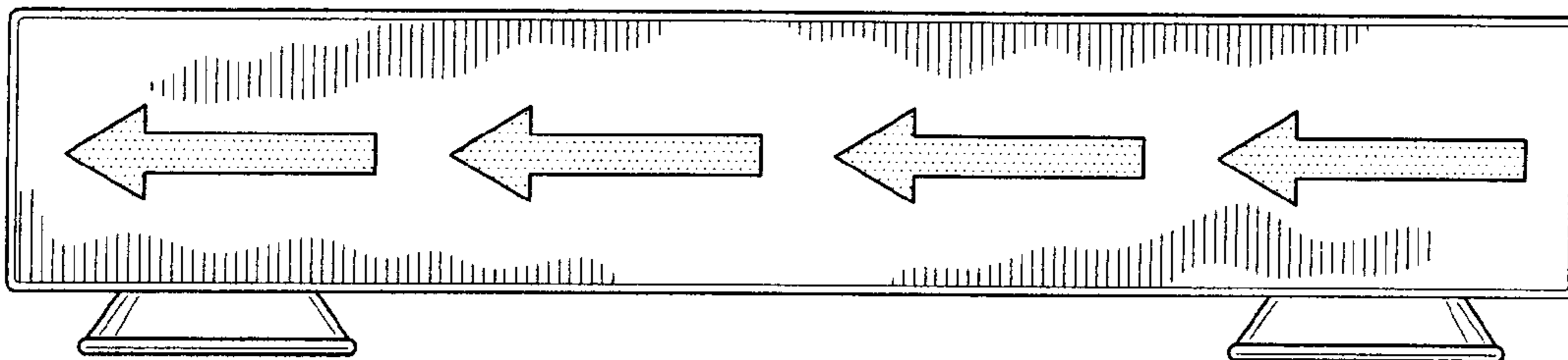


FIG. 2

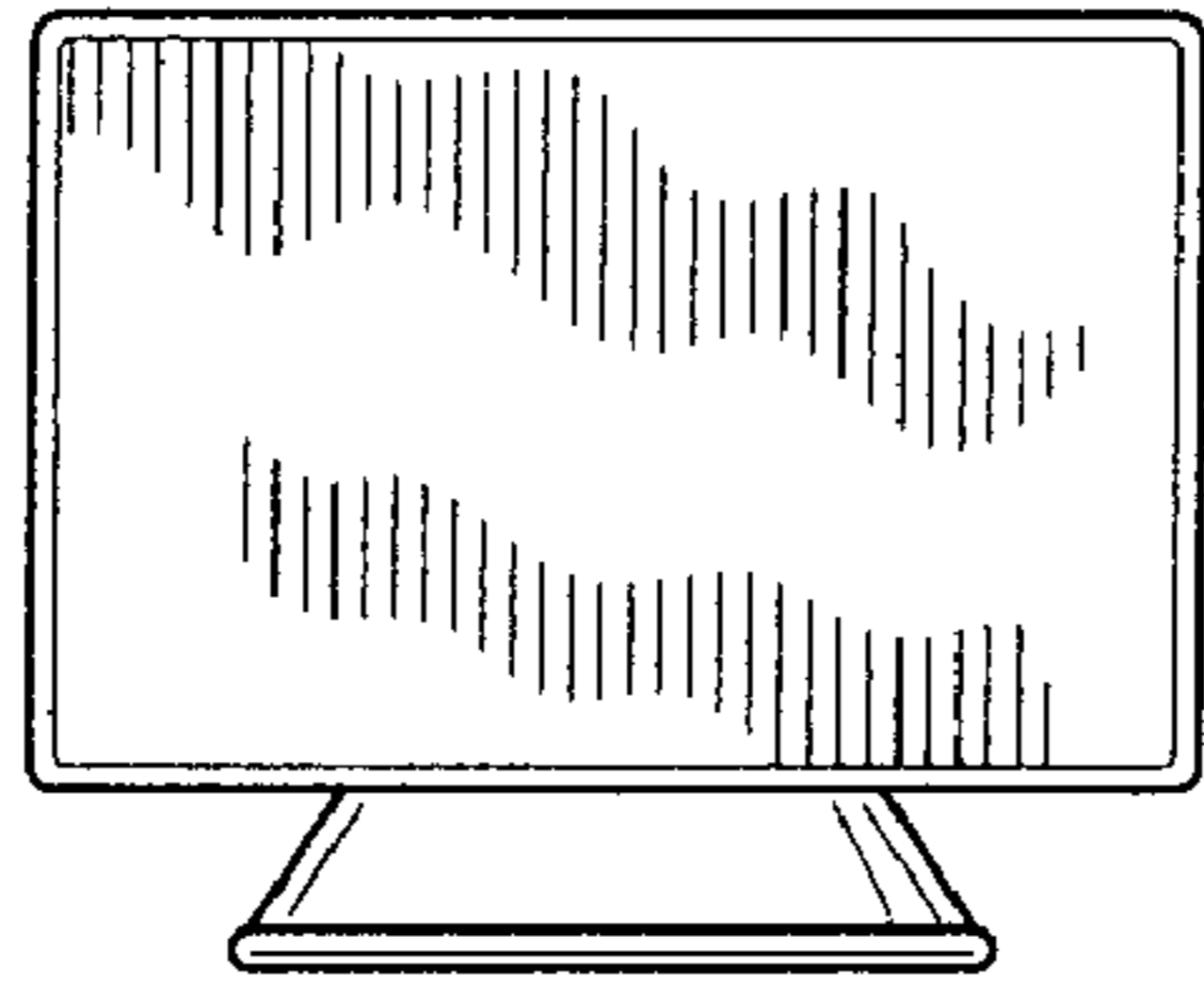


FIG. 3

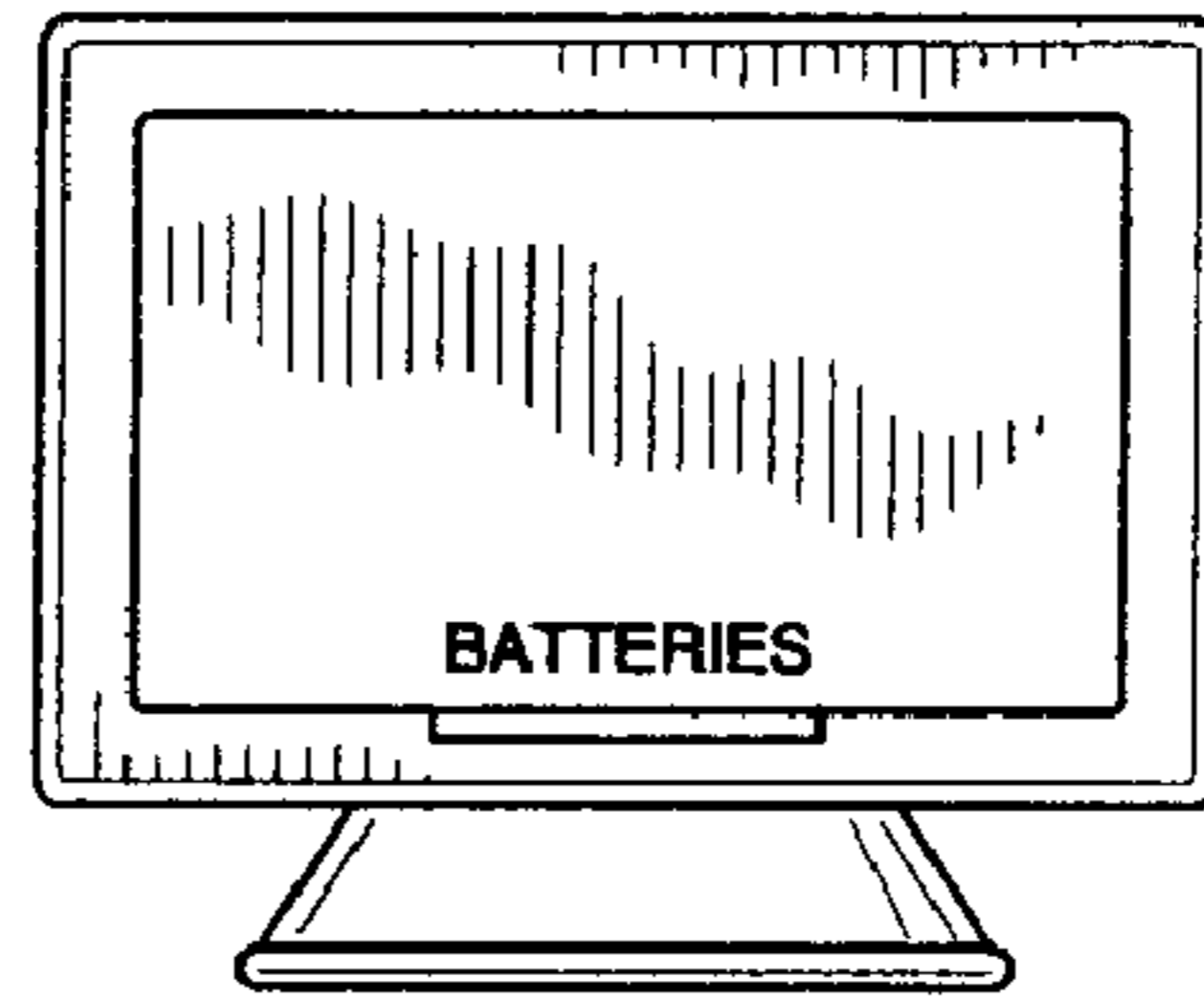


FIG. 4

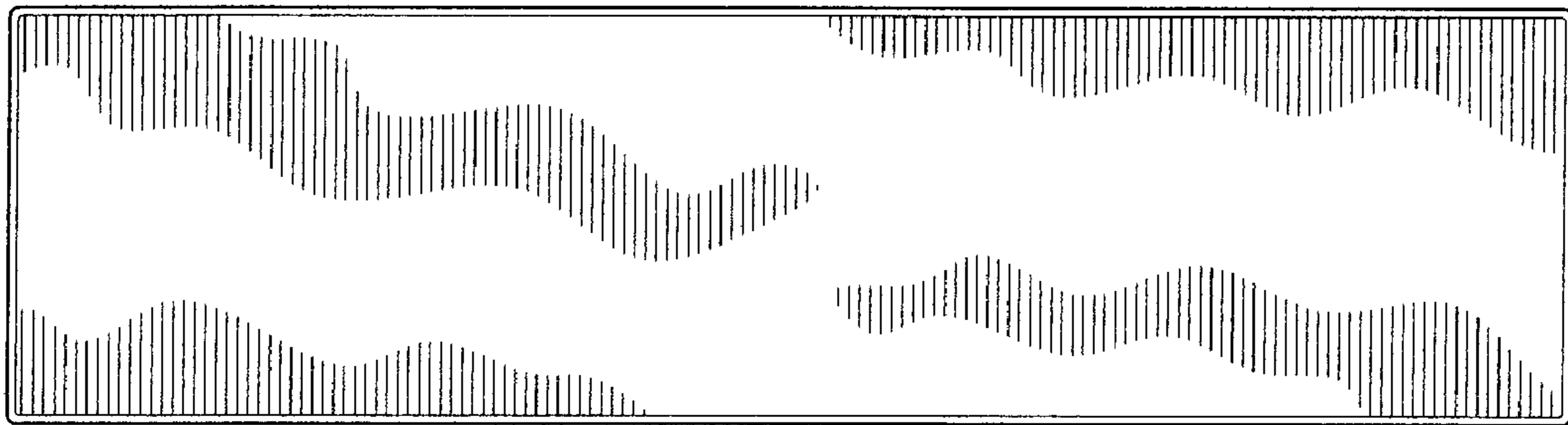


FIG. 5

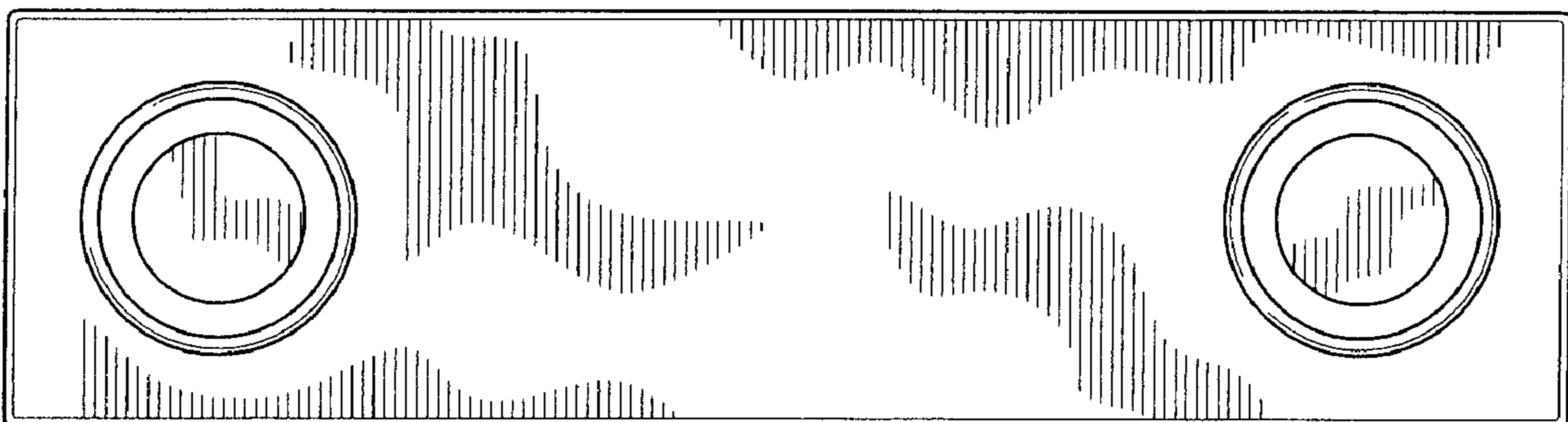


FIG. 6

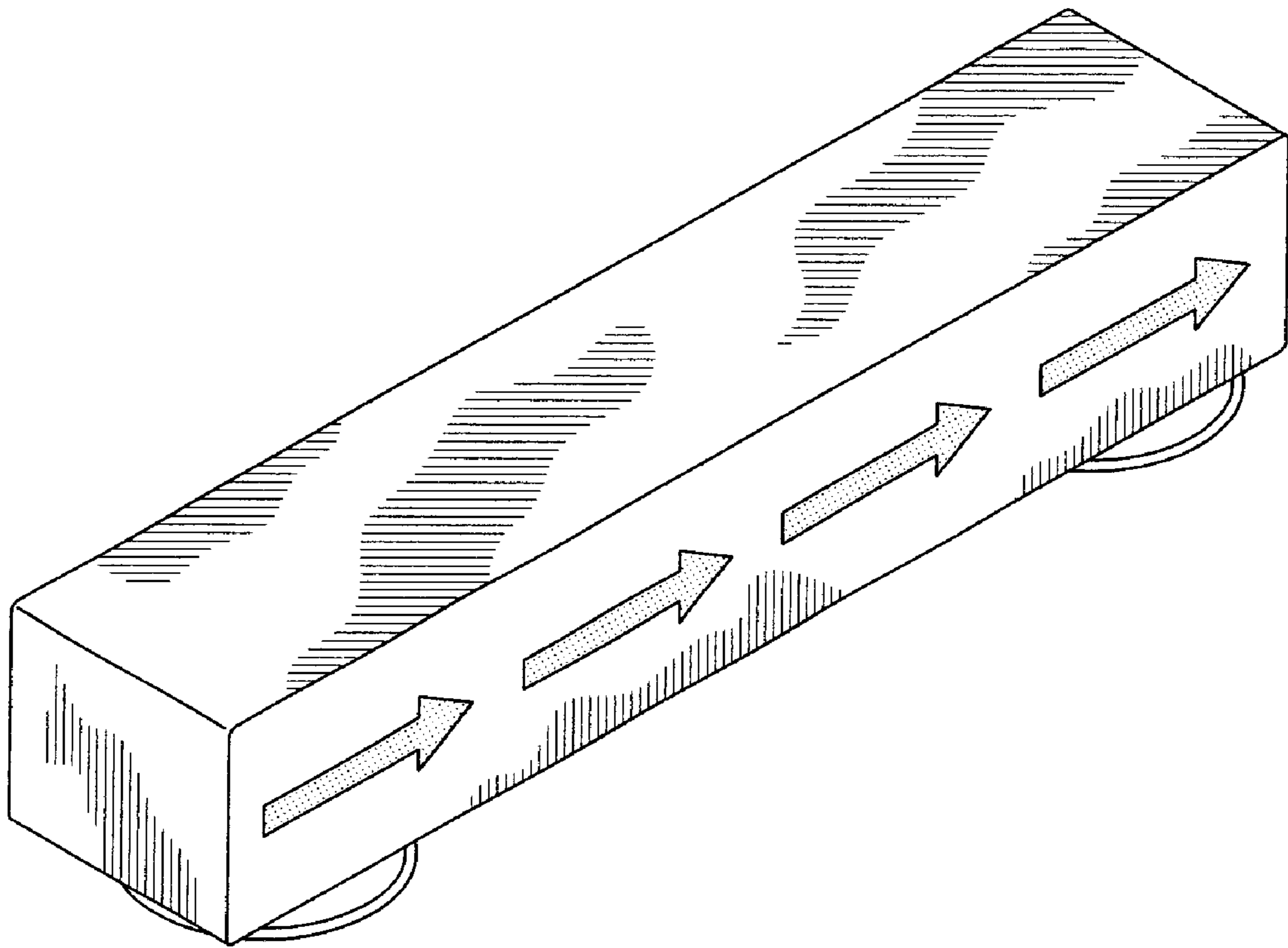


FIG.7