



US00D516446S

(12) **United States Design Patent**  
**Chen**

(10) **Patent No.:** **US D516,446 S**

(45) **Date of Patent:** **\*\* Mar. 7, 2006**

(54) **ALARM DEVICE**

2004/0155779 A1 \* 8/2004 Ballard ..... 340/573.1  
2005/0083204 A1 \* 4/2005 Stewart ..... 340/573.1

(76) **Inventor:** **Yi-Chen Chen**, No. 107, Fusing 6th St.,  
Jhongli City, Taoyuan County (TW)

\* cited by examiner

(\*\*) **Term:** **14 Years**

*Primary Examiner*—Cathron C. Brooks

*Assistant Examiner*—Austin Murphy

(21) **Appl. No.:** **29/220,567**

(74) *Attorney, Agent, or Firm*—Birch, Stewart, Kolasch &  
Birch, LLP

(22) **Filed:** **Jan. 4, 2005**

(57) **CLAIM**

(51) **LOC (8) Cl.** ..... **10-05**

The ornamental design for alarm device, as shown and  
described.

(52) **U.S. Cl.** ..... **D10/106**

(58) **Field of Classification Search** ..... D21/329,  
D21/513; D14/217, 137, 138; D13/168; D10/104,  
D10/106, 116; D3/230, 280; 455/128, 84;  
374/141; 340/573.1, 539.15, 573.4, 426.25,  
340/426.24, 426.19, 426.1, 426.21; 206/305  
See application file for complete search history.

**DESCRIPTION**

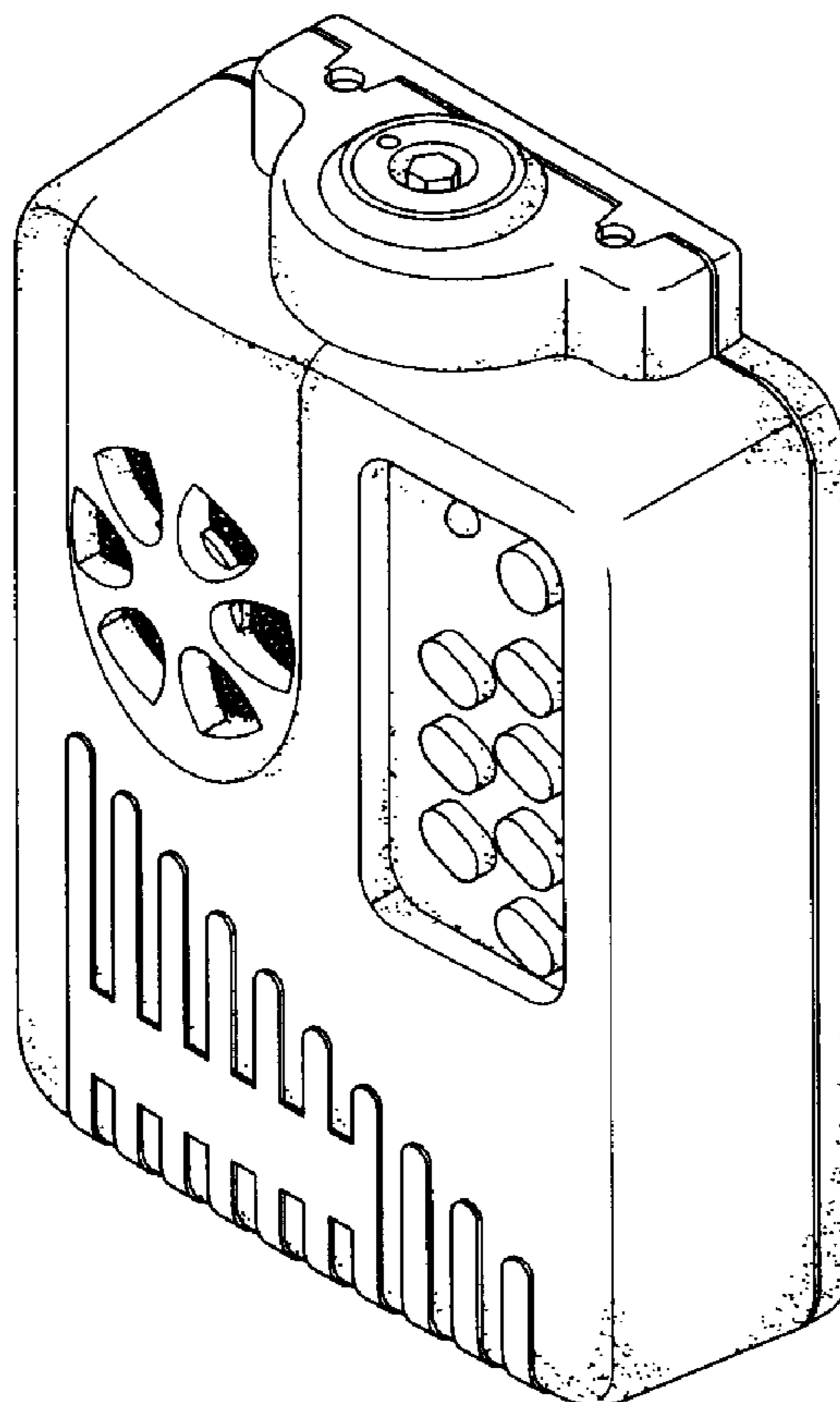
(56) **References Cited**

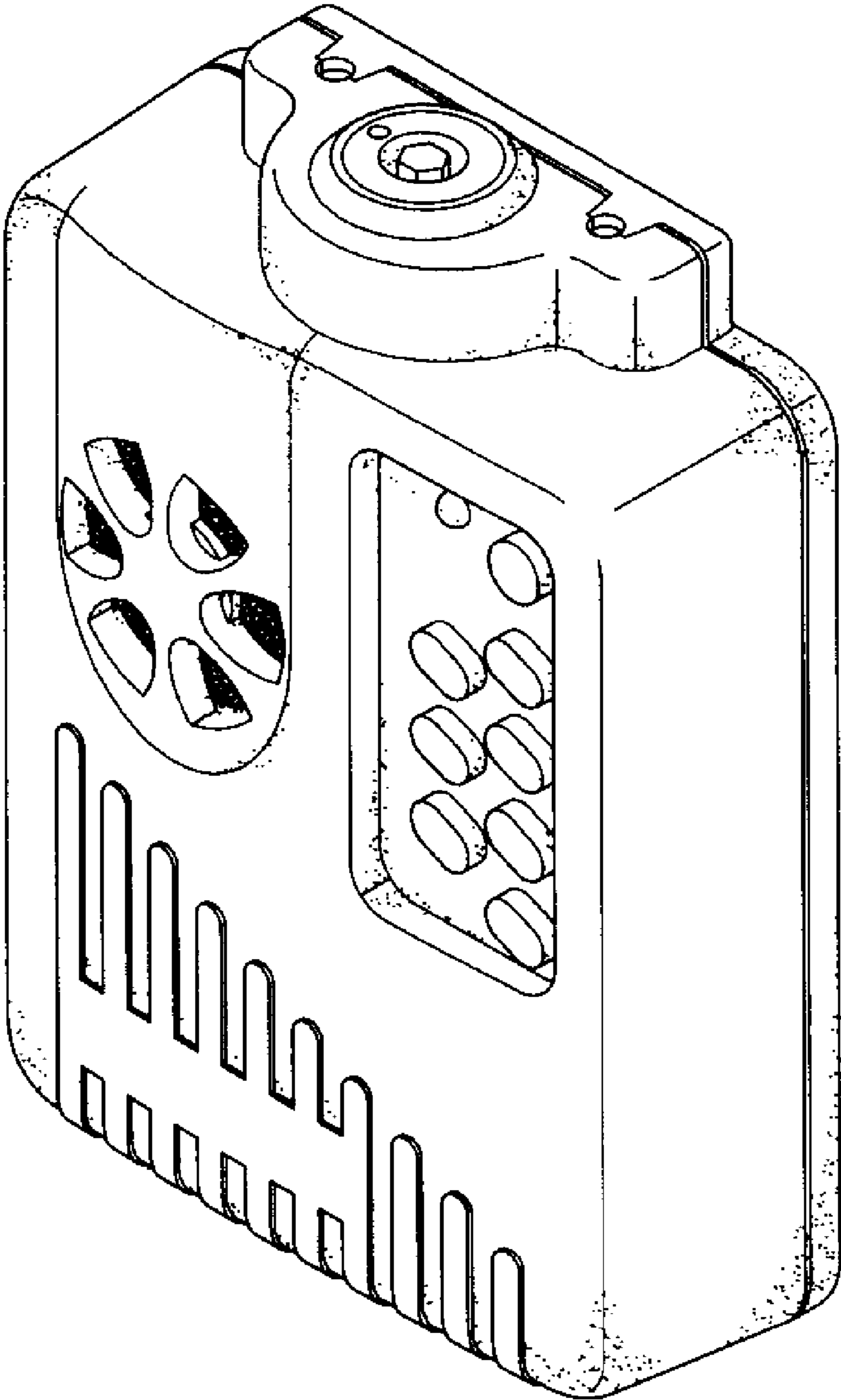
**U.S. PATENT DOCUMENTS**

5,689,240 A \* 11/1997 Traxler ..... 340/573.4  
5,774,038 A \* 6/1998 Welch et al. .... 340/286.05  
6,043,747 A \* 3/2000 Altenhofen ..... 340/573.1  
D424,958 S \* 5/2000 Nowak ..... D10/104  
6,078,260 A \* 6/2000 Desch ..... 340/573.1  
6,593,851 B1 \* 7/2003 Bornstein ..... 340/539.15  
2002/0040208 A1 \* 4/2002 Flaherty et al. .... 604/288.01

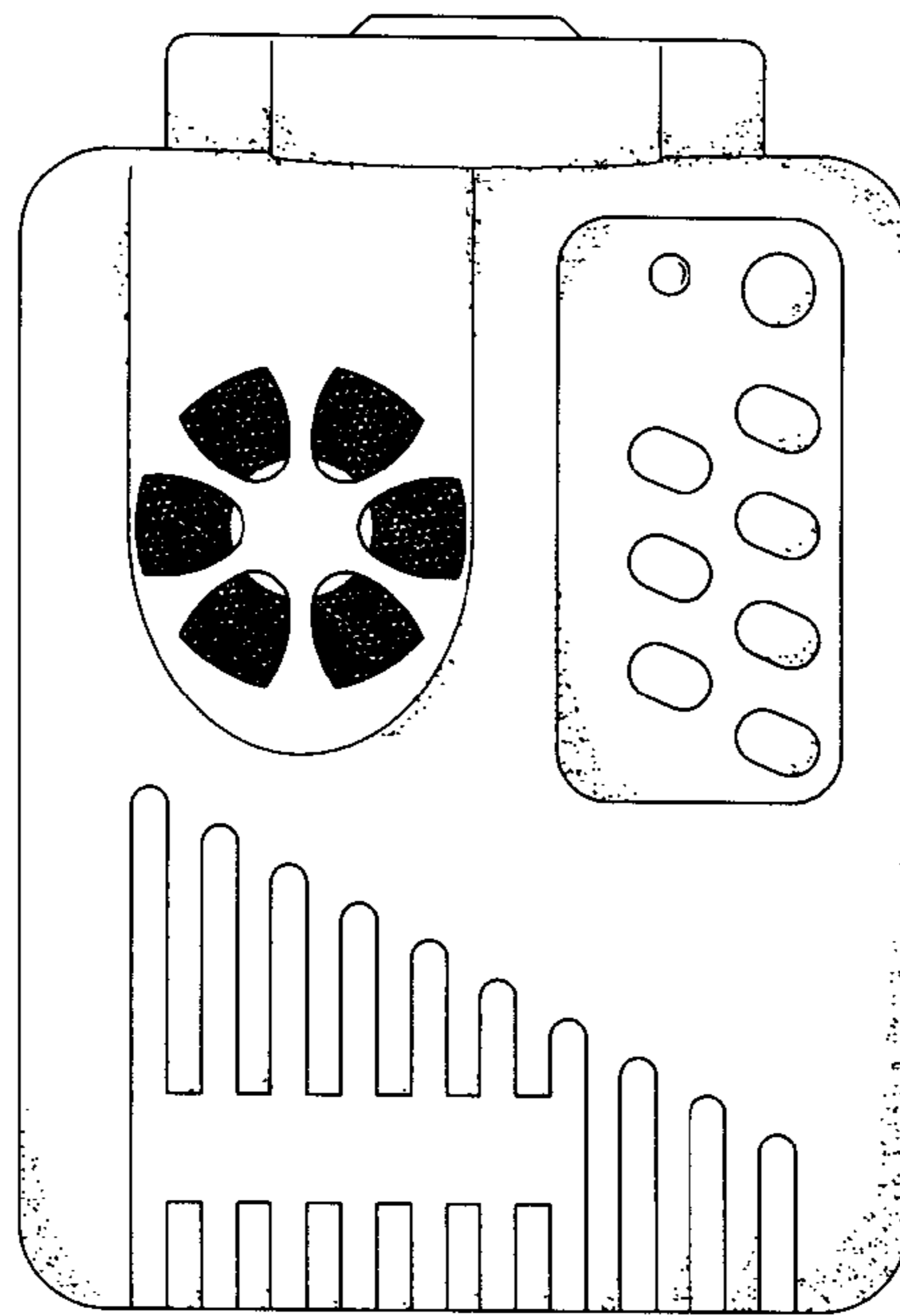
FIG. 1 is a front, right perspective view of alarm device  
showing my/our new design;  
FIG. 2 is a front elevational view thereof;  
FIG. 3 is a rear elevational view thereof;  
FIG. 4 is a right side view thereof;  
FIG. 5 is a left side view being a mirror image thereof;  
FIG. 6 is a top plan view thereof; and  
FIG. 7 is a bottom plan view thereof; and,  
FIG. 8 is a perspective view thereof, wherein the broken line  
showing of suspending in the car is for illustrative purposes  
only and forms no part of the claimed design.

**1 Claim, 5 Drawing Sheets**

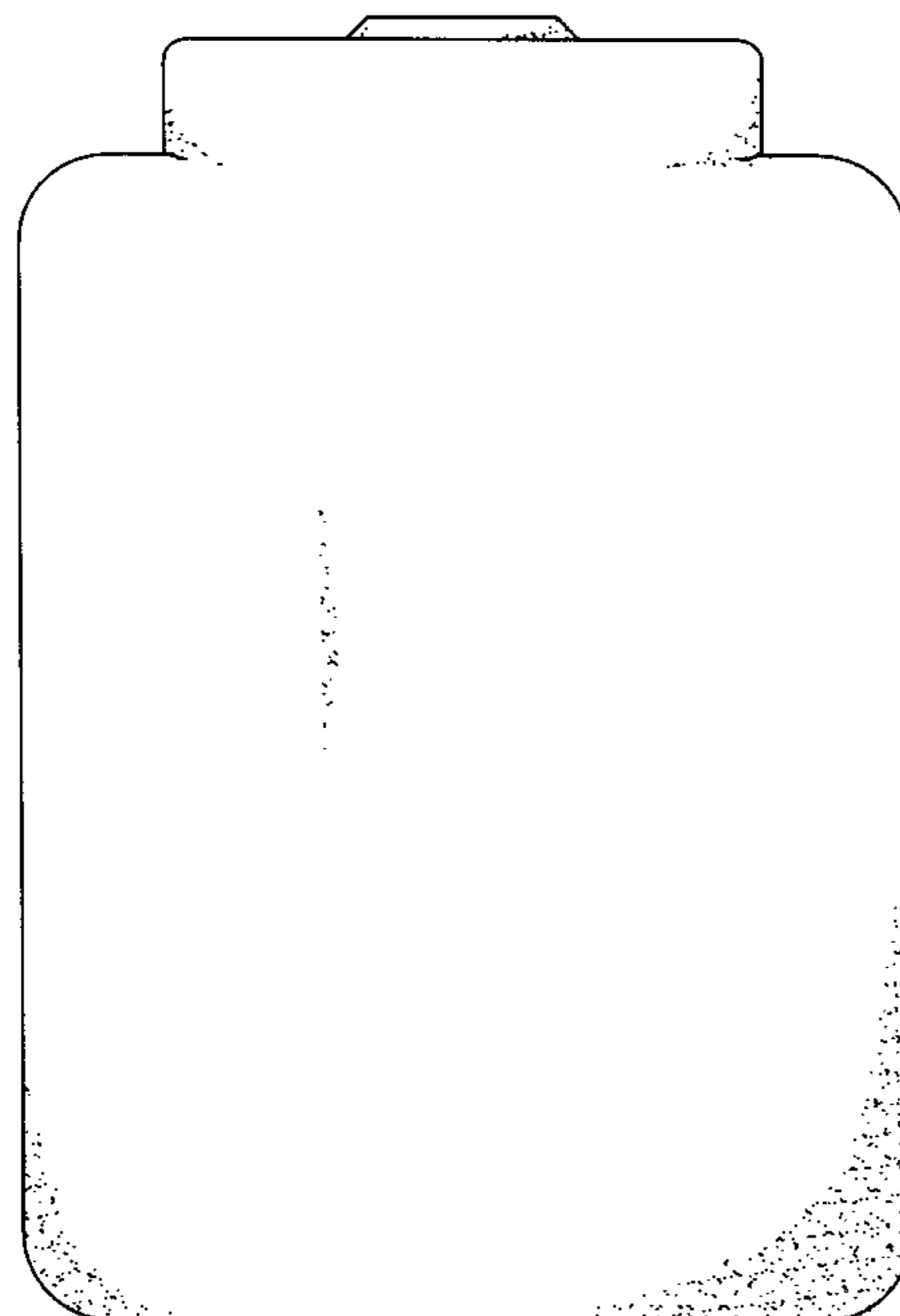




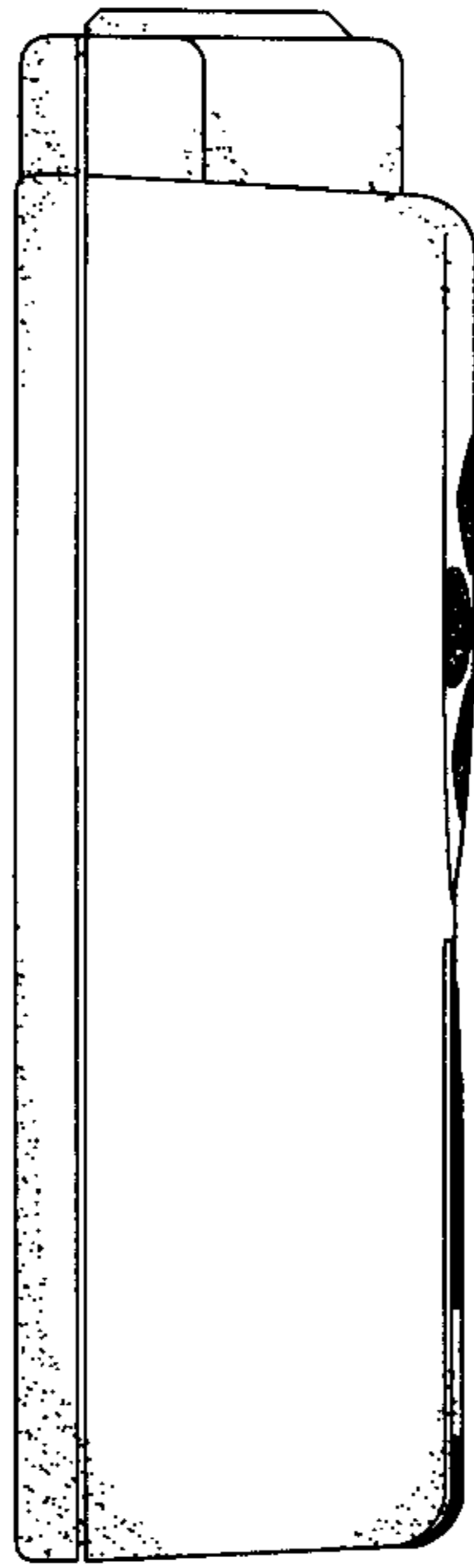
*Fig. 1*



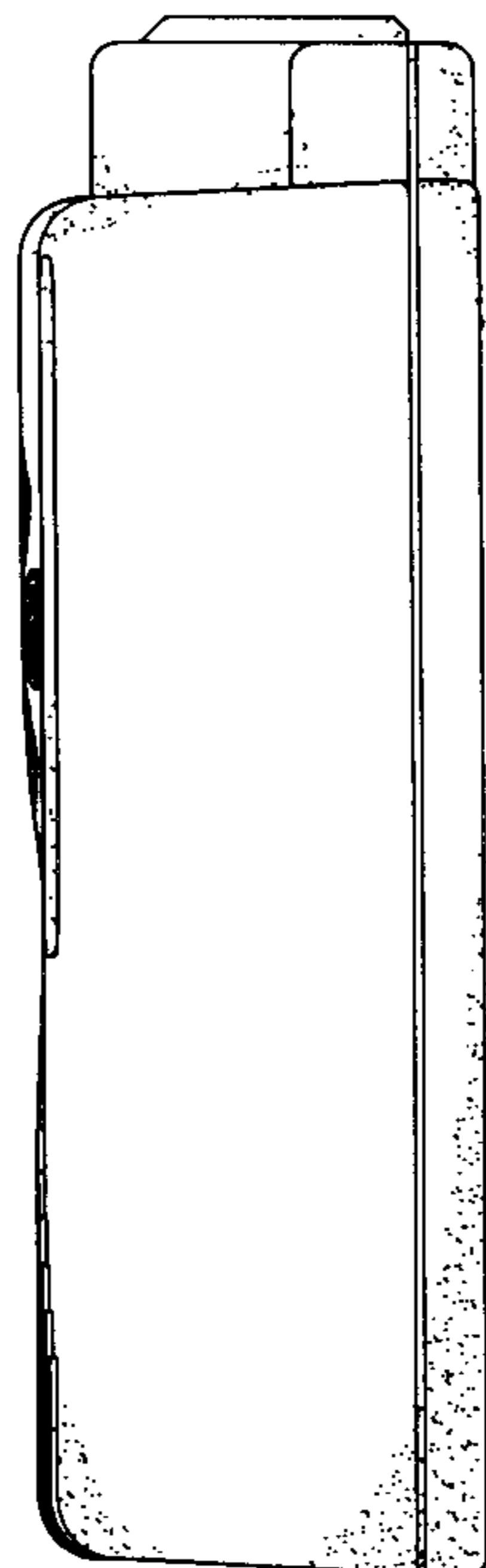
*Fig.2*



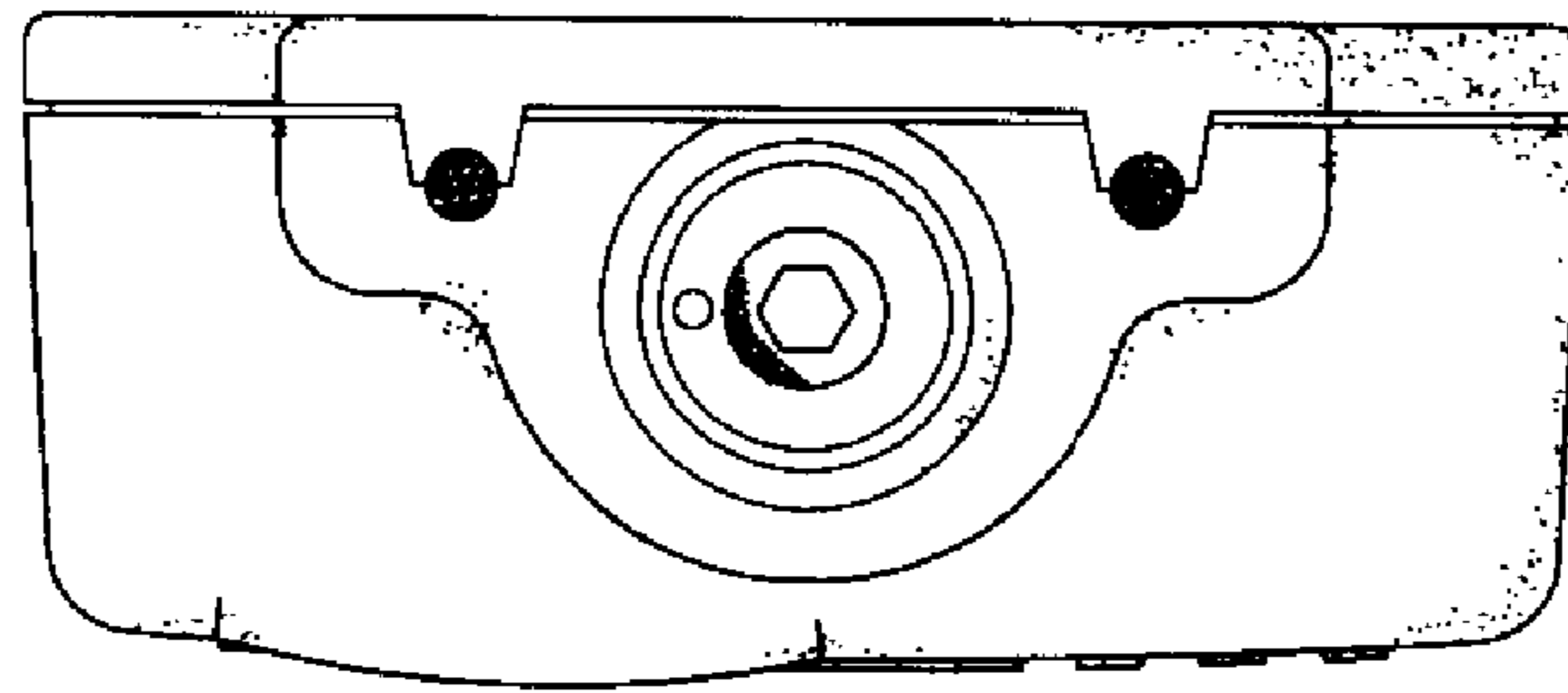
*Fig.3*



*Fig.4*



*Fig.5*



*Fig. 6*



*Fig. 7*

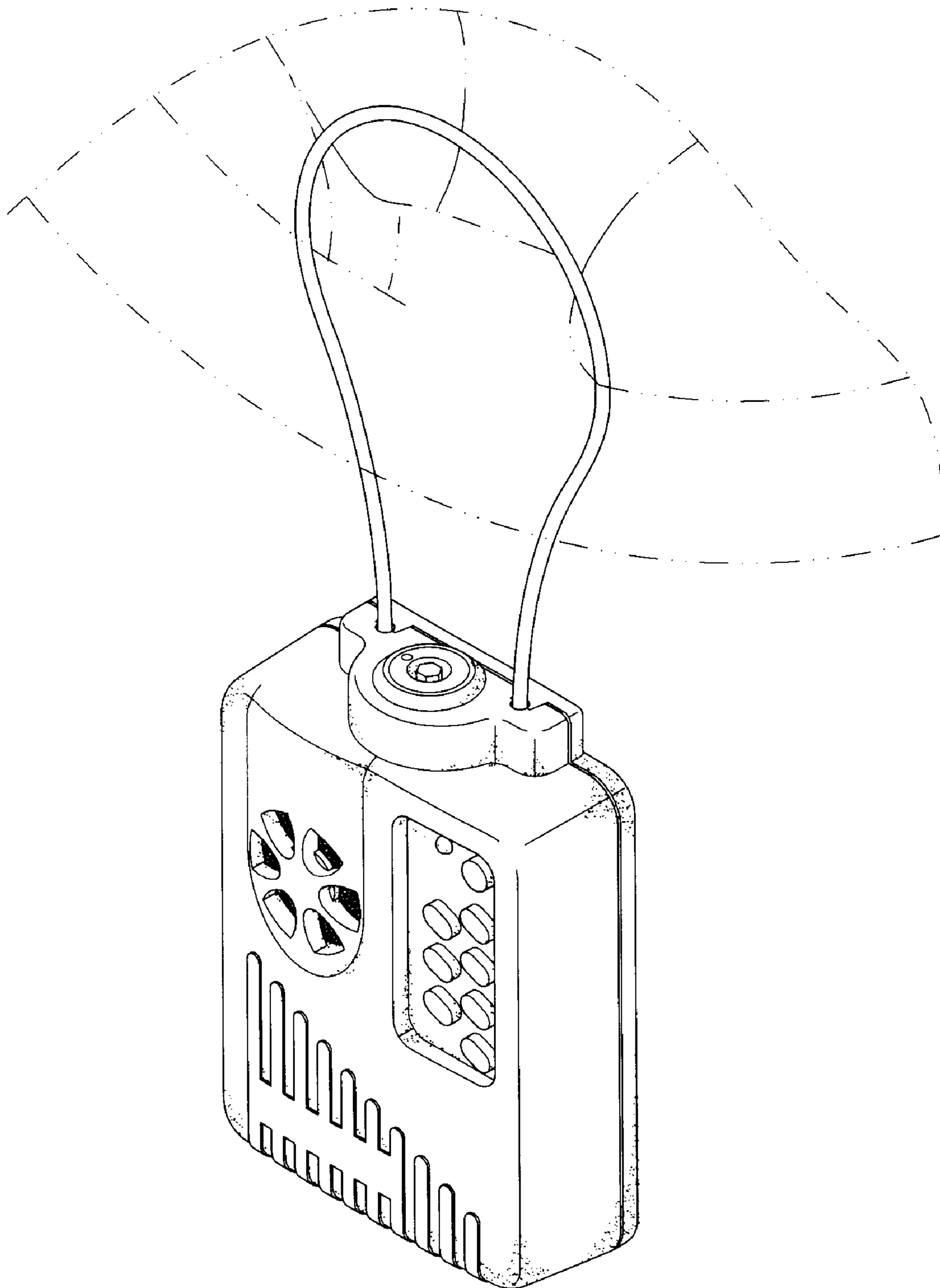


Fig. 8