

US00D516443S

(12) **United States Design Patent**  
**Gotou et al.**

(10) **Patent No.:** **US D516,443 S**  
(45) **Date of Patent:** **\*\* Mar. 7, 2006**

(54) **GPS RECEIVER**

(75) Inventors: **Hidefumi Gotou**, Tokyo (JP); **Hirohisa Tanaka**, Tokyo (JP); **Michio Deguchi**, Tokyo (JP)

(73) Assignee: **Sony Computer Entertainment Inc.**, Tokyo (JP)

(\*\*) Term: **14 Years**

(21) Appl. No.: **29/216,861**

(22) Filed: **Nov. 10, 2004**

(30) **Foreign Application Priority Data**

May 10, 2004 (JP) ..... D2004-013738

(51) **LOC (8) Cl.** ..... **10-04**

(52) **U.S. Cl.** ..... **D10/65**

(58) **Field of Classification Search** ..... D10/65;  
D14/230-238; 200/302.2; 361/394, 422,  
361/784; 364/444, 495, 208.1, 450; 367/88,  
367/111, 98, 908; 342/419, 457, 352.01-352.09;  
343/202, 878

See application file for complete search history.

(56) **References Cited**

**U.S. PATENT DOCUMENTS**

D318,673 S \* 7/1991 Terk ..... D14/230  
D345,564 S \* 3/1994 Kadono et al. .... D14/230  
D357,197 S \* 4/1995 Suzuki ..... D10/65  
D357,906 S \* 5/1995 Fukushima ..... D14/358  
D453,324 S 2/2002 Sawai

D467,511 S \* 12/2002 Kitamura et al. .... D10/65  
D483,353 S \* 12/2003 Hyogo ..... D14/240  
D487,023 S 2/2004 Takahashi  
6,902,284 B1 \* 6/2005 Hutzet et al. .... 359/865

**FOREIGN PATENT DOCUMENTS**

JP D1178690 S 7/2003

\* cited by examiner

*Primary Examiner*—Louis S. Zarfes

*Assistant Examiner*—John Windmuller

(74) *Attorney, Agent, or Firm*—Rader, Fishman & Grauer PLLC

(57) **CLAIM**

The ornamental design for a GPS receiver, as shown and described.

**DESCRIPTION**

FIG. 1 is a front elevational view of a GPS receiver showing our new design;

FIG. 2 is a rear elevational view thereof;

FIG. 3 is a right side elevational view thereof, a left side elevational view thereof being a mirror image;

FIG. 4 is a top plan view thereof;

FIG. 5 is a bottom plan view thereof;

FIG. 6 is a front perspective view thereof, shown at a reduced scale; and,

FIG. 7 is a front elevational view thereof, shown at a reduced scale in use with a portable device.

The broken lines showing of the environment are for illustrative purposes only and form no part of the claimed design.

**1 Claim, 4 Drawing Sheets**

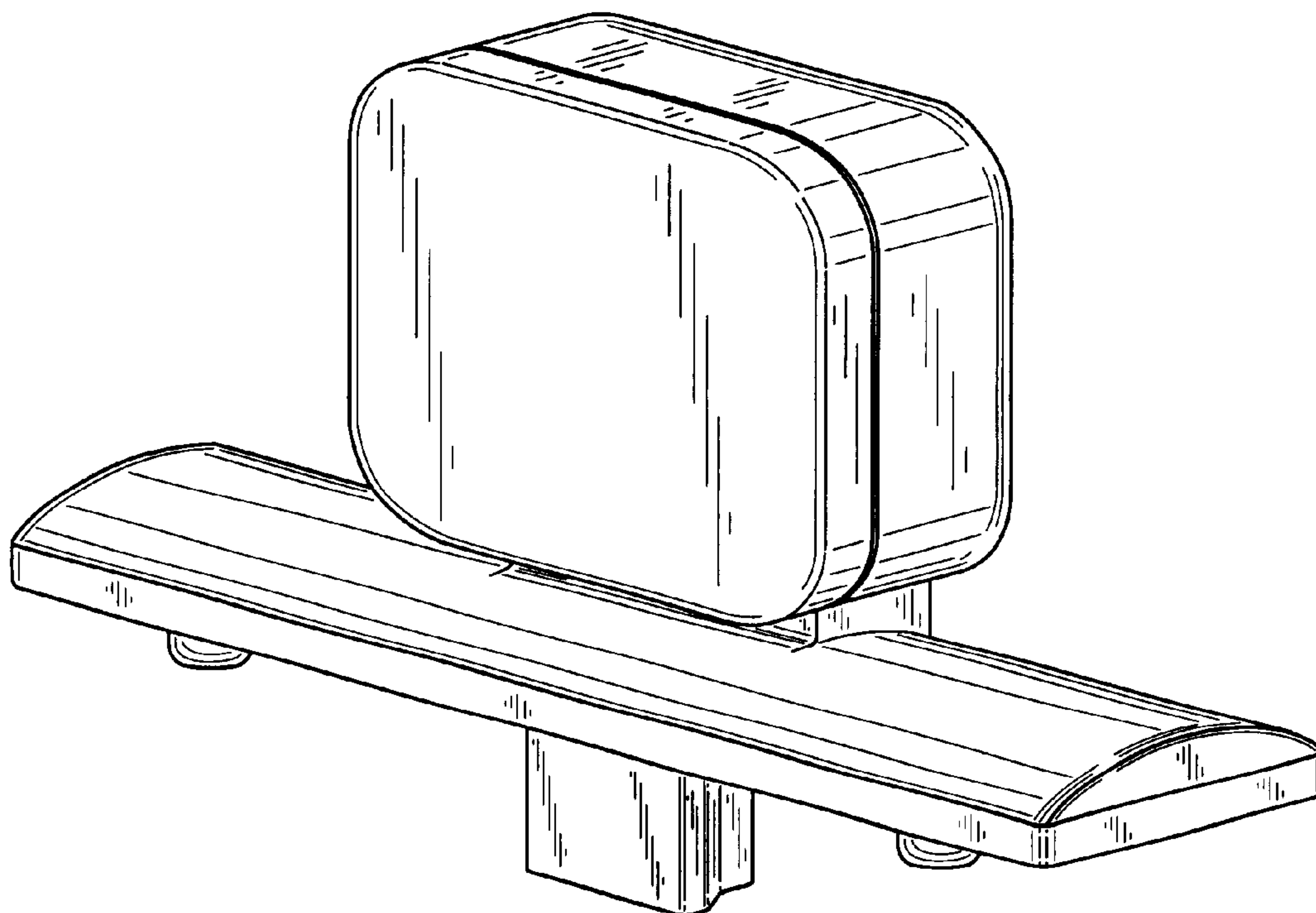


FIG.1

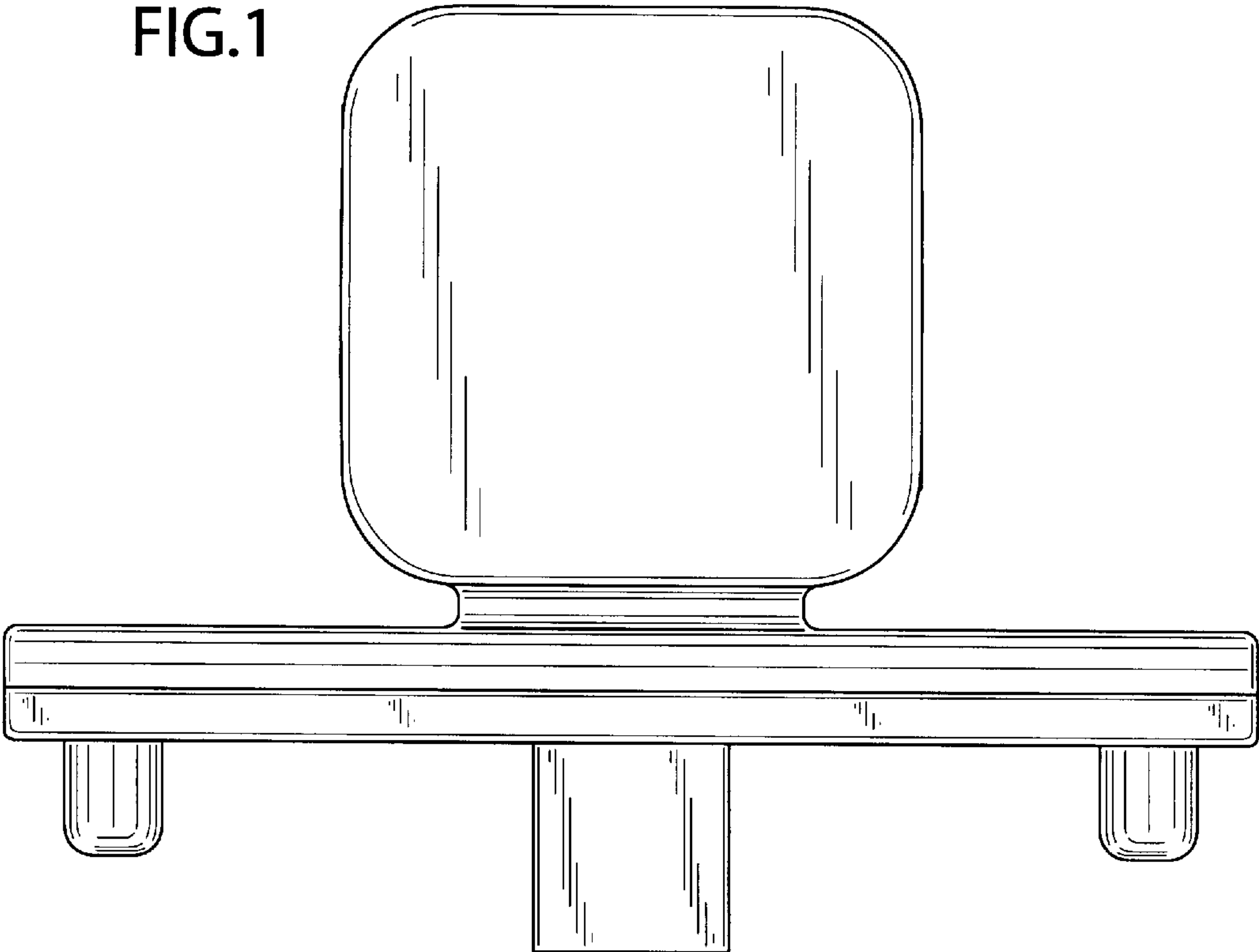


FIG.2

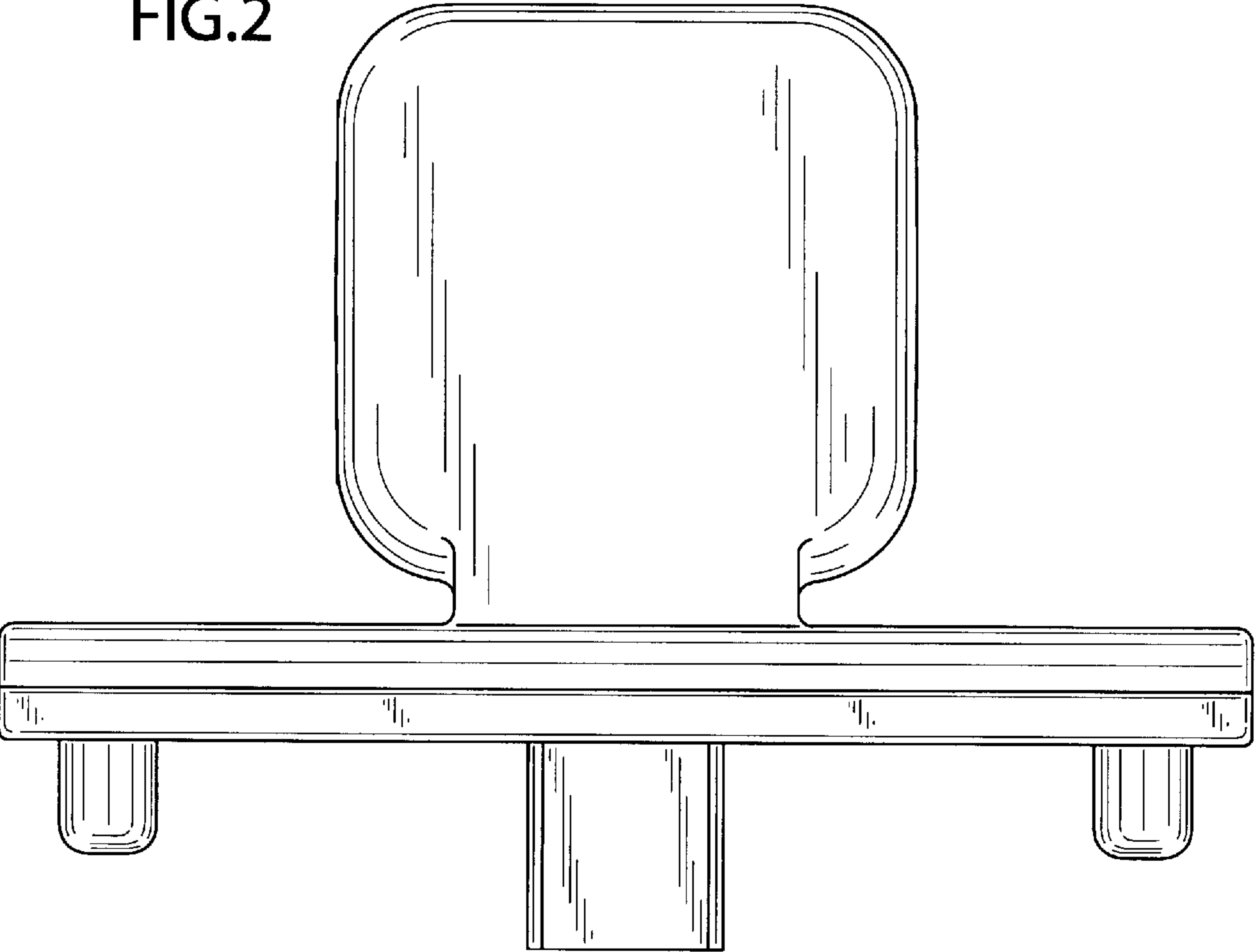


FIG.3

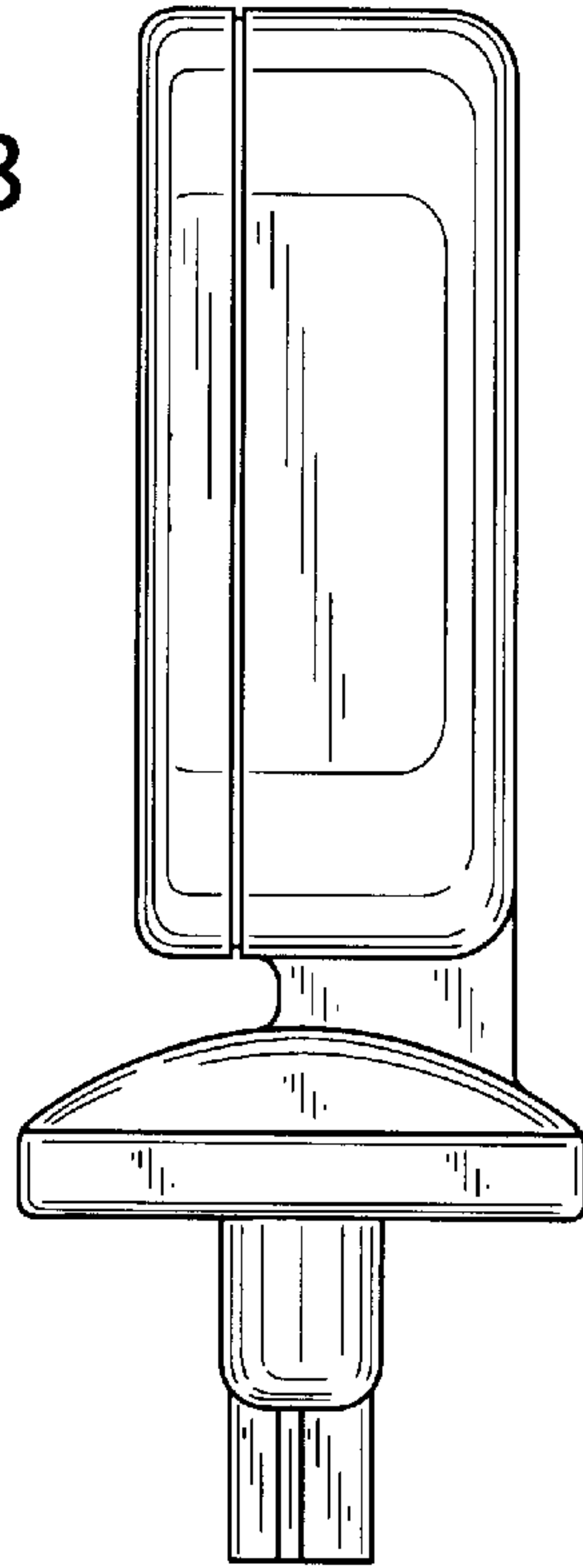


FIG.4

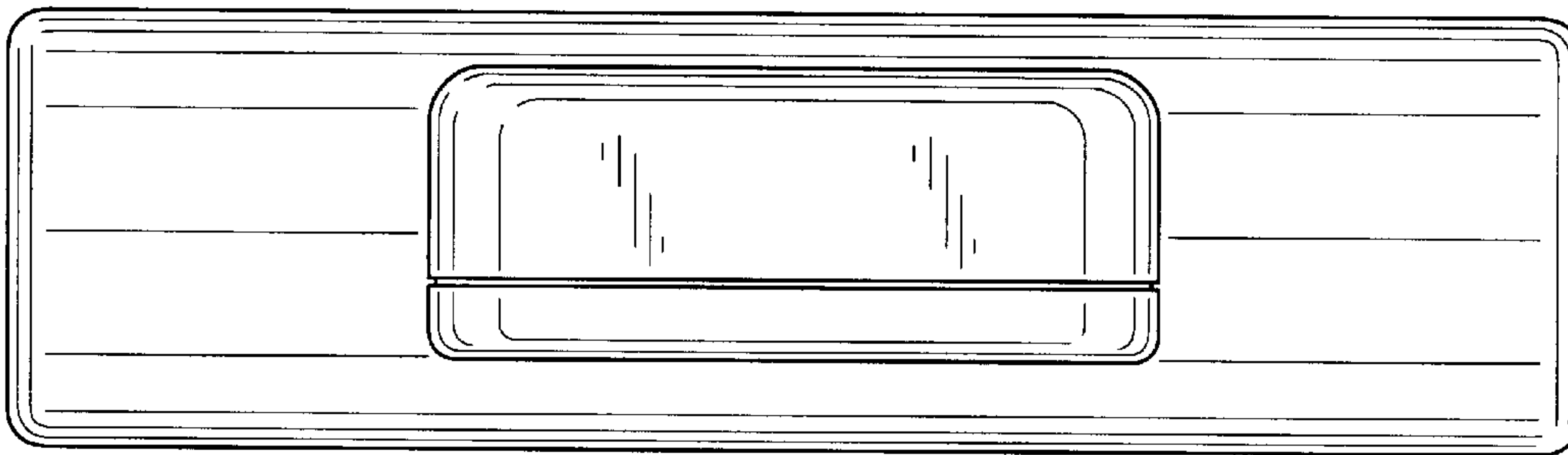


FIG.5

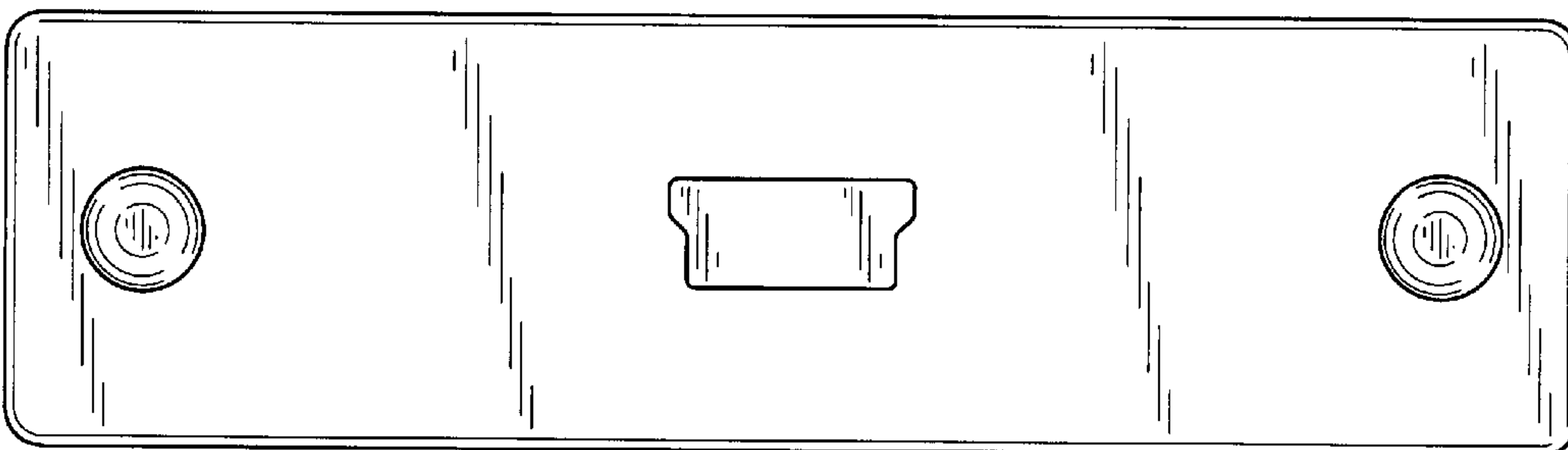
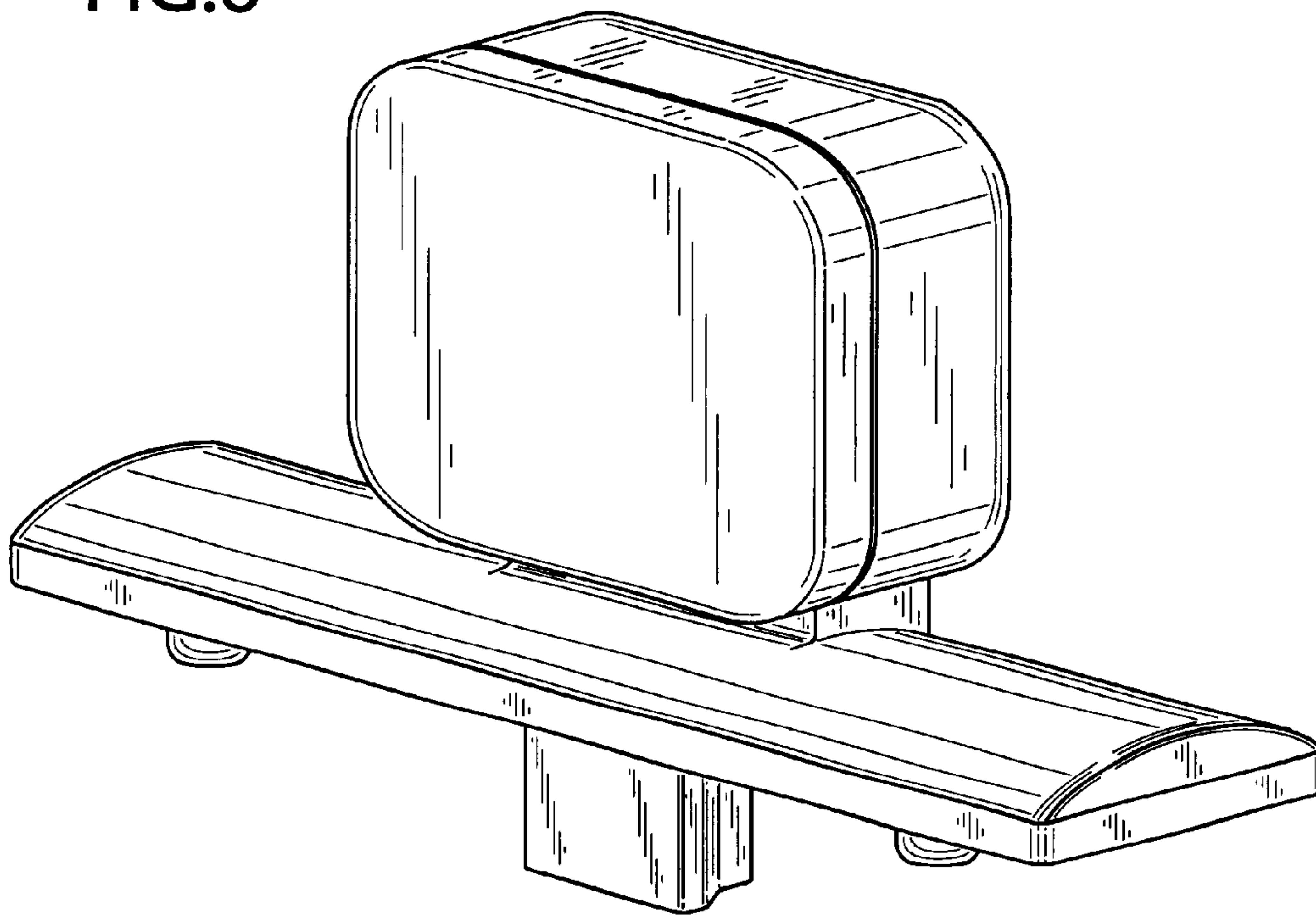


FIG.6



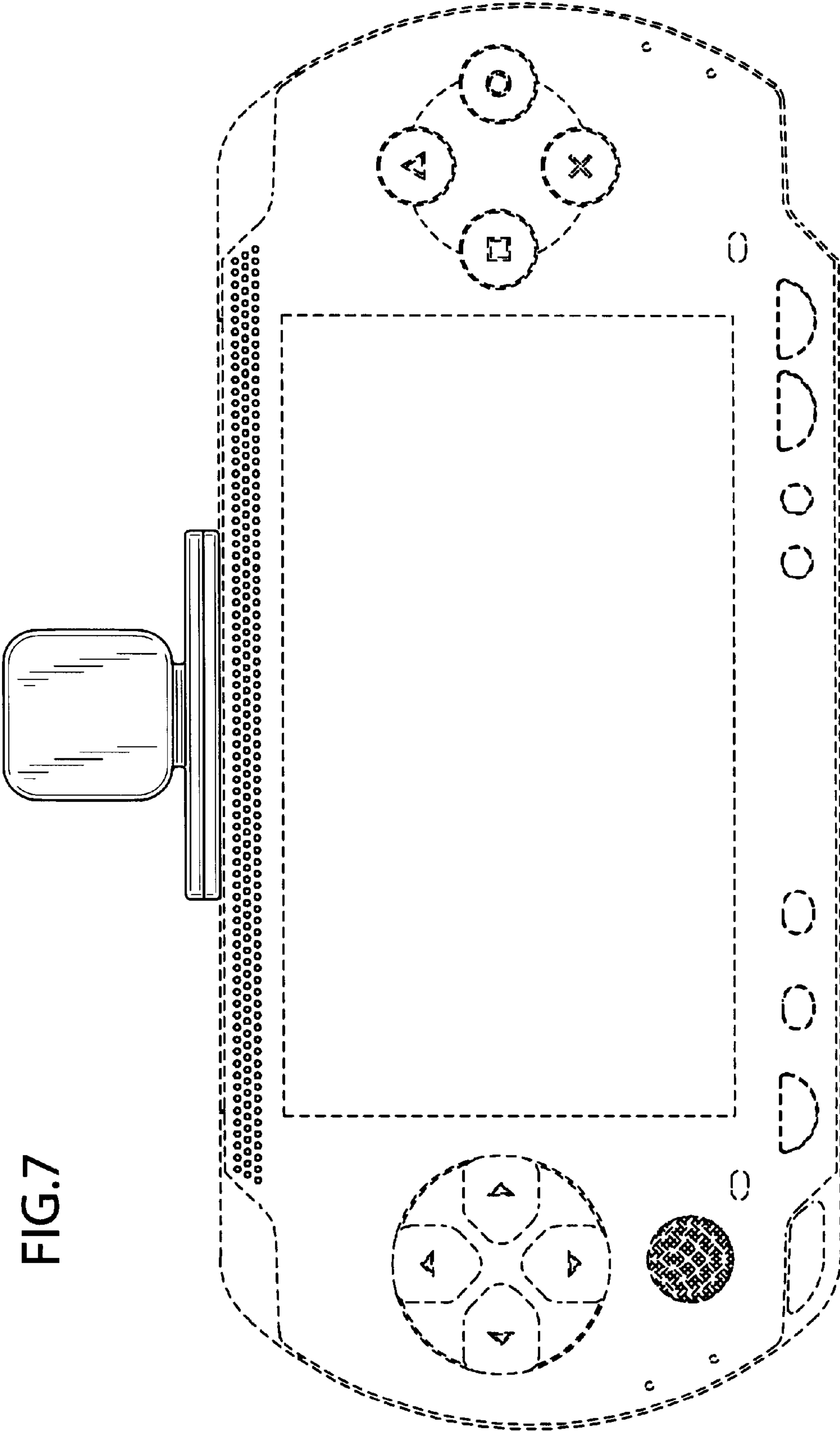


FIG. 7