



US00D516438S

(12) **United States Design Patent** (10) **Patent No.:** **US D516,438 S**  
**Zerfas** (45) **Date of Patent:** **\*\* Mar. 7, 2006**

(54) **MULTIPLE COMPARTMENT PACKAGE**

6,755,305 B1 6/2004 Nance  
2002/0114870 A1 8/2002 Rebhorn et al.

(75) Inventor: **Paul Anthony Zerfas**, Verona, WI (US)

**FOREIGN PATENT DOCUMENTS**

(73) Assignee: **Kraft Foods Holdings, Inc.**, Northfield, IL (US)

EP	0 017 276	10/1980
EP	0 449 643	10/1991
EP	0 638 488	2/1995
EP	0 841 261	5/1998
EP	0 974 531	1/2000
EP	1 057 748	12/2000
EP	1 186 549	3/2002
JP	2003/231571	8/2003
WO	WO-92/03355	3/1992
WO	WO-94/19257	9/1994
WO	WO-96/07604	3/1996
WO	WO-01/12523	2/2001

(\*\*) Term: **14 Years**

(21) Appl. No.: **29/213,879**

(22) Filed: **Sep. 24, 2004**

(51) **LOC (8) Cl.** ..... **09-03**

(52) **U.S. Cl.** ..... **D9/737**

(58) **Field of Classification Search** ..... D9/737,  
D9/761, 414, 415, 418, 420, 422, 424, 425,  
D9/430, 432; 206/557, 563, 564, 518, 508,  
206/45.34, 541; 220/23.83, 500, 556, 557,  
220/662, 669, 675; 229/406, 904; D7/602,  
D7/538; D3/294

See application file for complete search history.

\* cited by examiner

*Primary Examiner*—Stella Reid  
*Assistant Examiner*—Mark A. Goodwin  
(74) *Attorney, Agent, or Firm*—Stites & Harbison PLLC;  
Marvin Petry

(56) **References Cited**

(57) **CLAIM**

**U.S. PATENT DOCUMENTS**

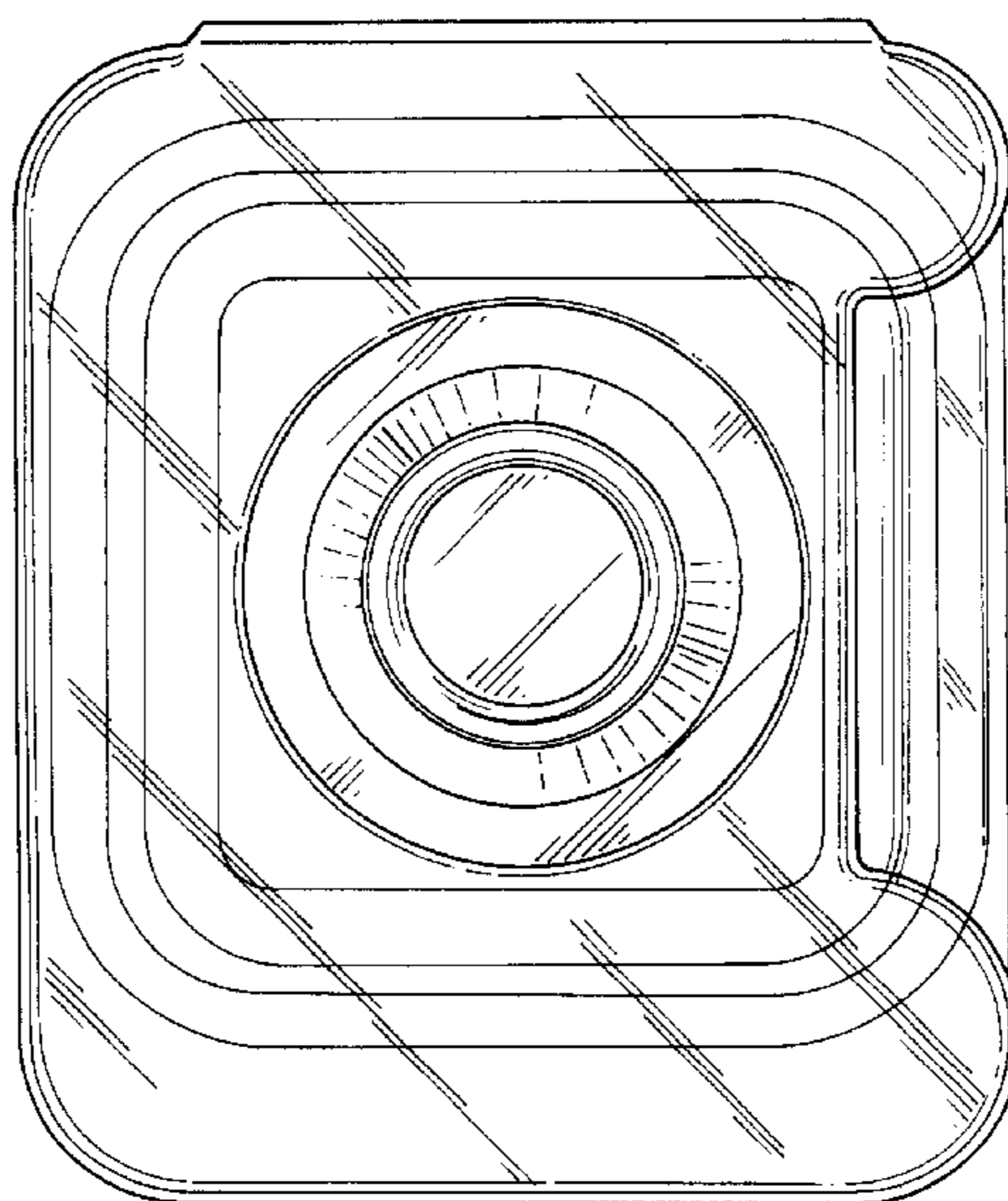
The ornamental design for a multiple compartment package, as shown and described.

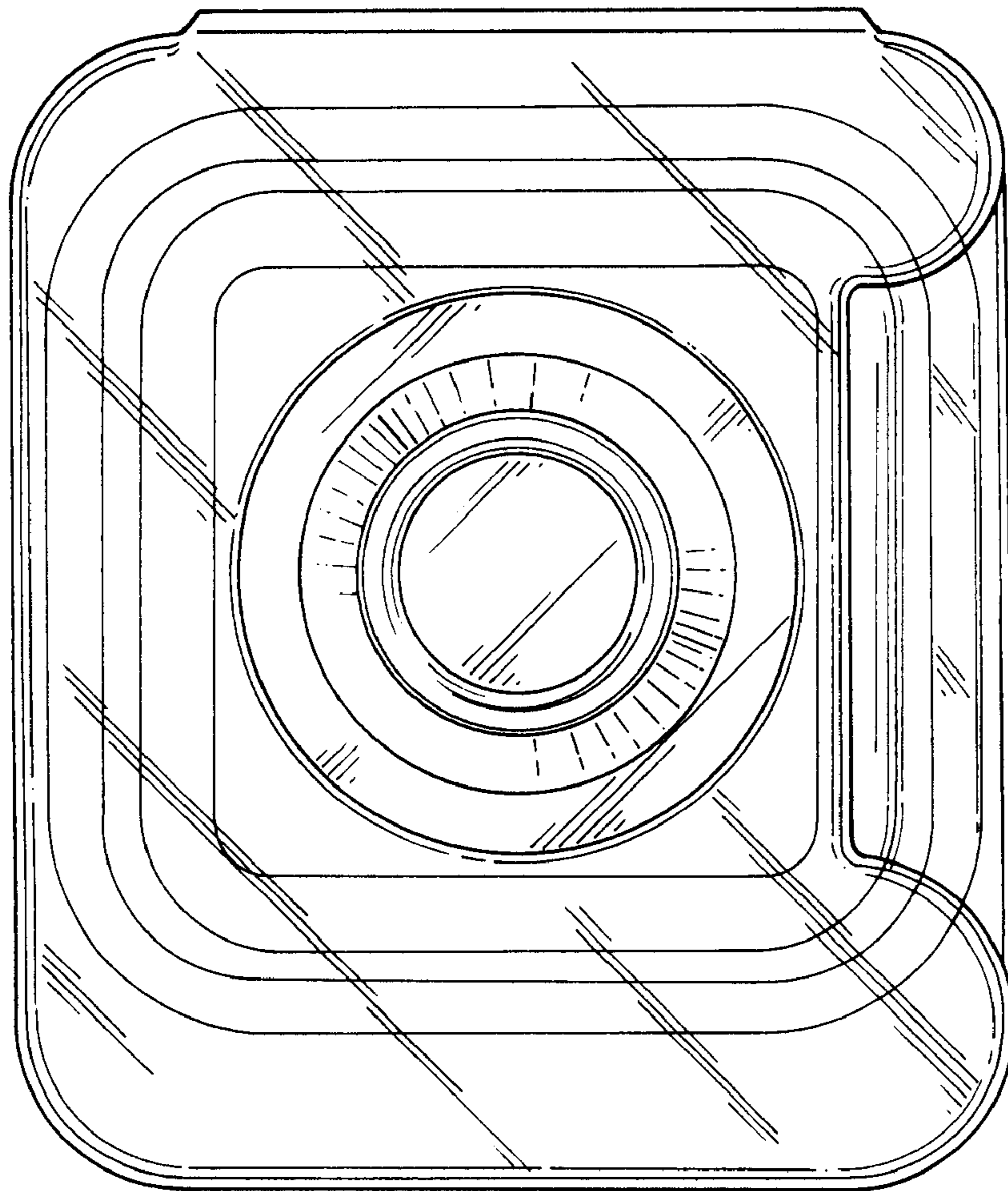
4,261,504 A	4/1981	Cowan	
D277,167 S	* 1/1985	Dart	D9/414
D283,487 S	* 4/1986	Holewinski et al.	D9/756
4,848,579 A	7/1989	Barnes et al.	
4,883,935 A	11/1989	Fairchild et al.	
D308,331 S	* 6/1990	Slavin et al.	D9/737
4,951,866 A	8/1990	Rusnak	
4,978,022 A	12/1990	Weick	
5,012,971 A	5/1991	Cozzi et al.	
5,075,119 A	12/1991	Mendenhall	
D366,828 S	* 2/1996	Bachand et al.	D9/761
D394,985 S	* 6/1998	Curtis et al.	D7/538
5,887,740 A	3/1999	Hong	
6,089,375 A	7/2000	Johnson et al.	
6,196,406 B1	3/2001	Ennis	
D451,278 S	* 12/2001	Cooper	D3/294

**DESCRIPTION**

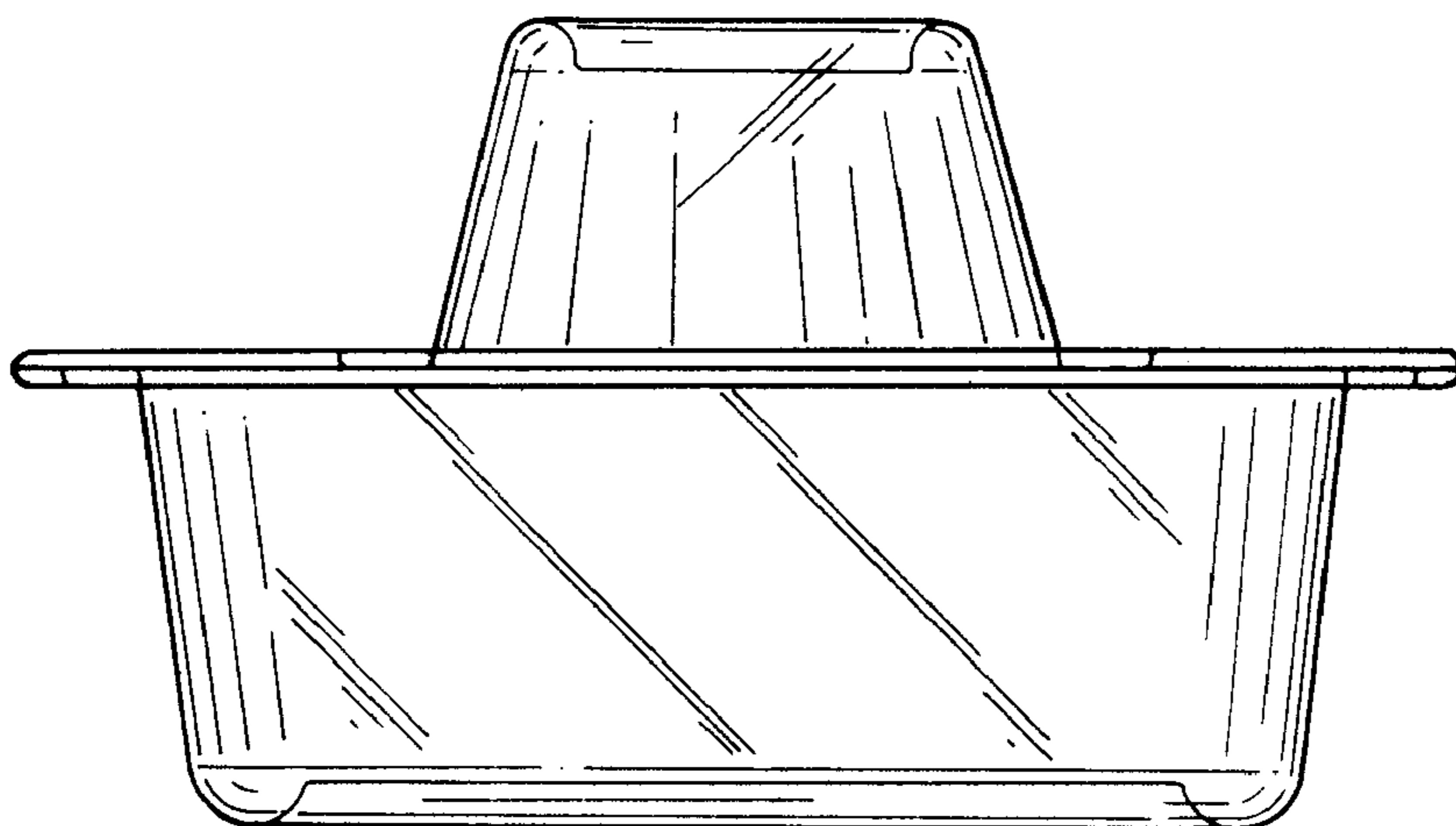
FIG. 1 is a top plan view of a multiple compartment package showing my new design.  
FIG. 2 is a front elevational view thereof.  
FIG. 3 is a rear elevational view thereof.  
FIG. 4 is a left side elevational view thereof.  
FIG. 5 is a right side elevational view thereof.  
FIG. 6 is a bottom plan view thereof.  
FIG. 7 is a top perspective view thereof.  
FIG. 8 is a bottom perspective view thereof; and,  
FIG. 9 is a top plan view thereof, shown in open condition.

**1 Claim, 6 Drawing Sheets**

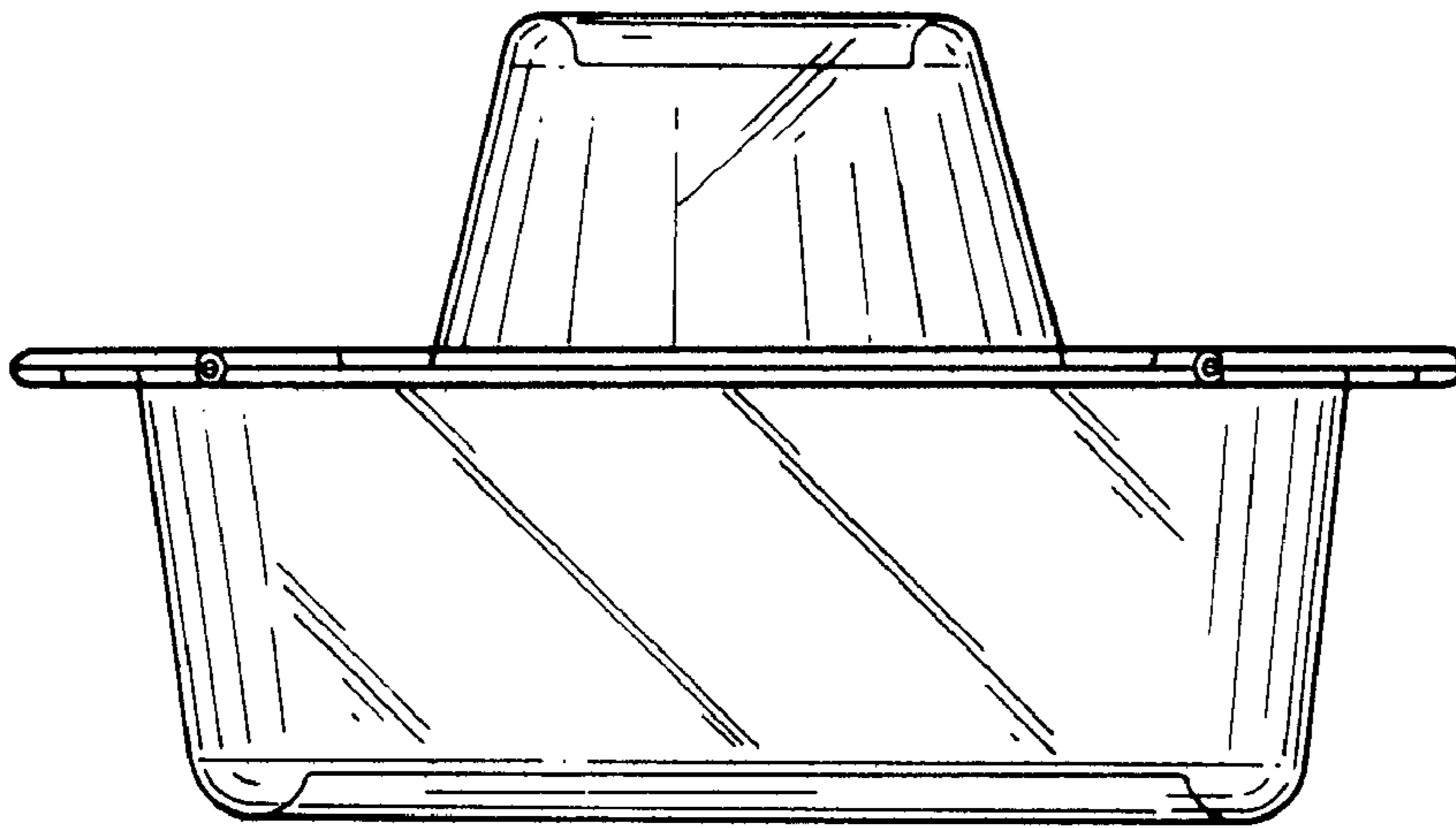




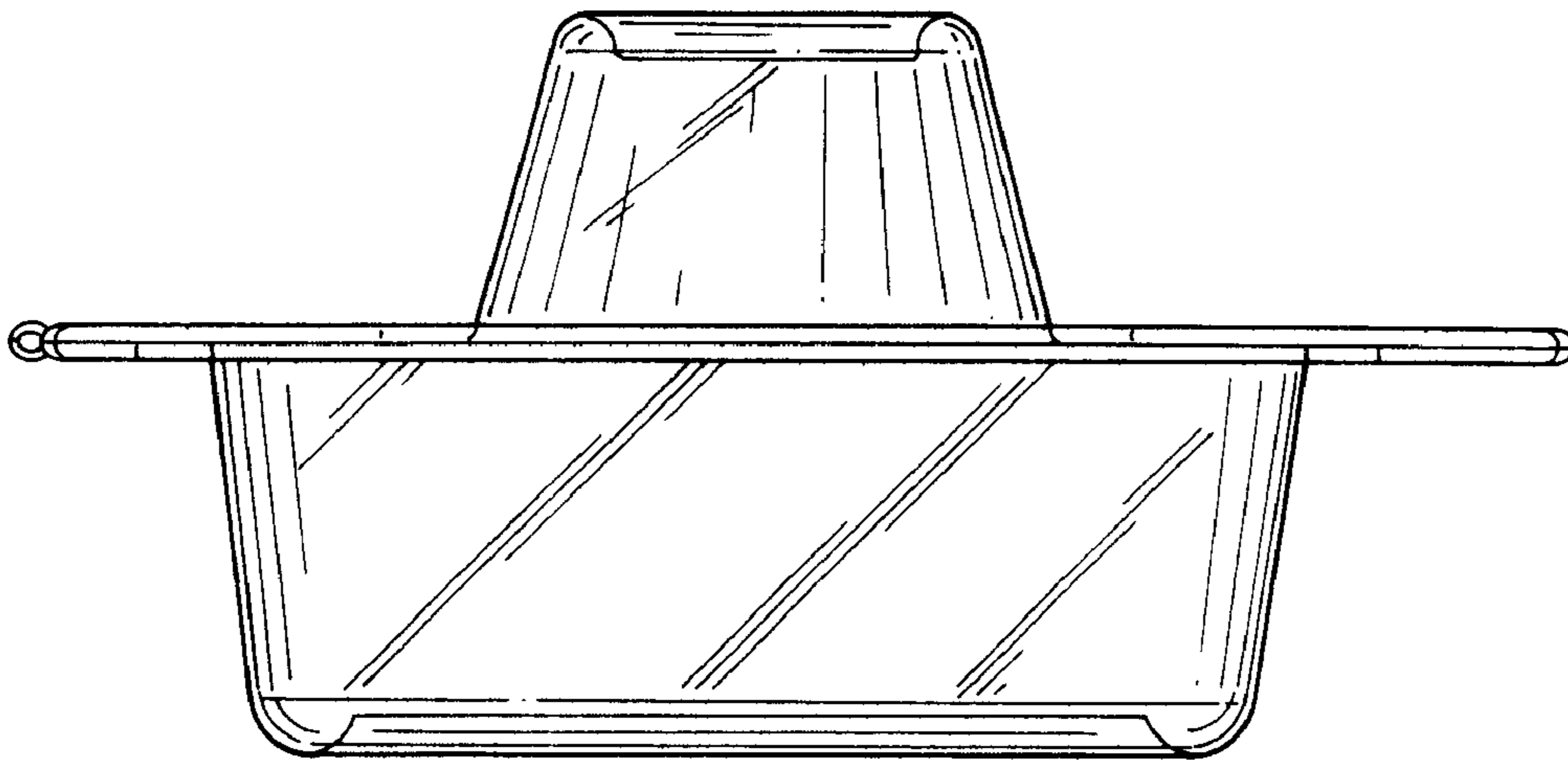
*Fig. 1*



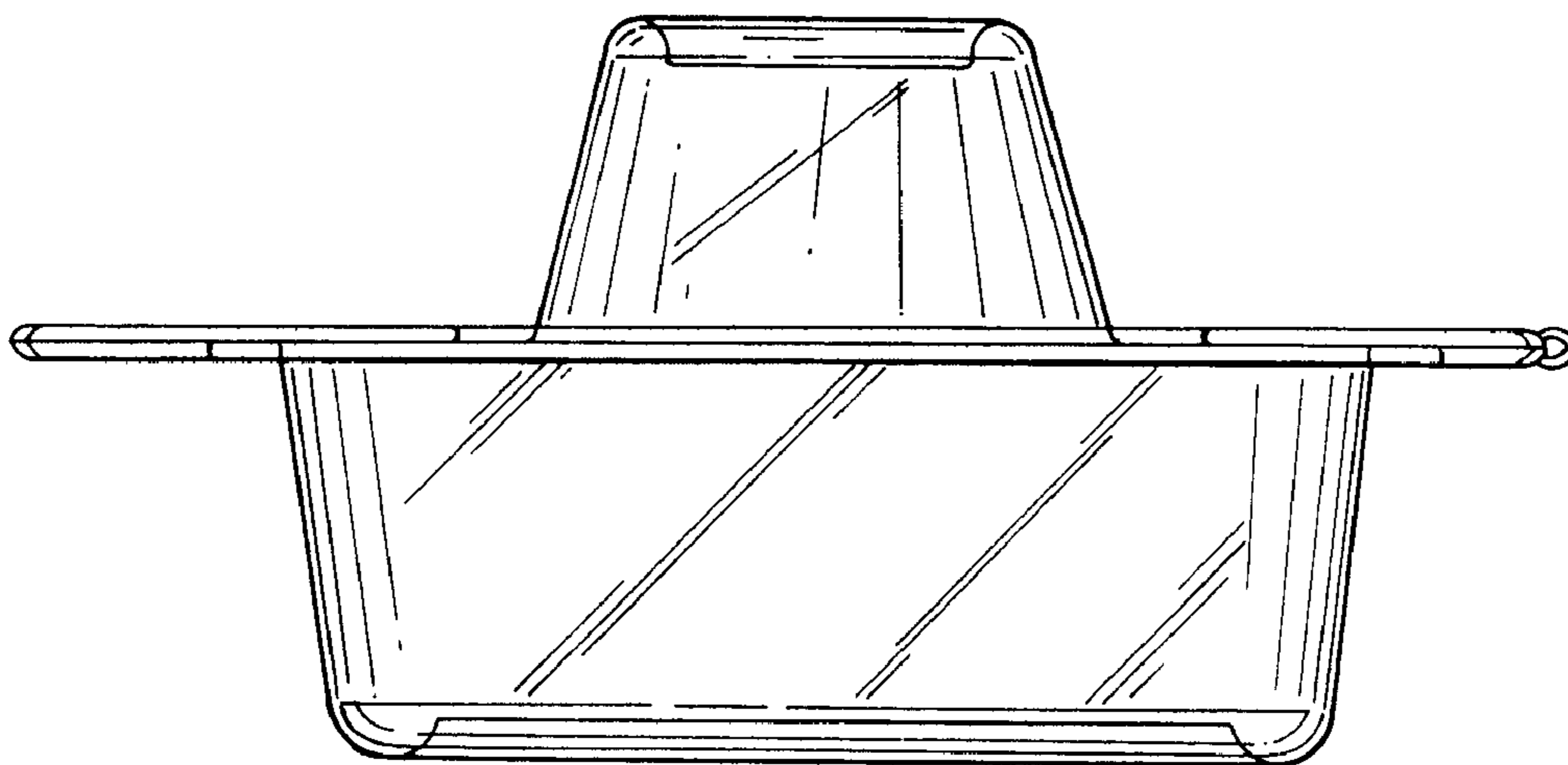
*Fig. 2*



**Fig. 3**

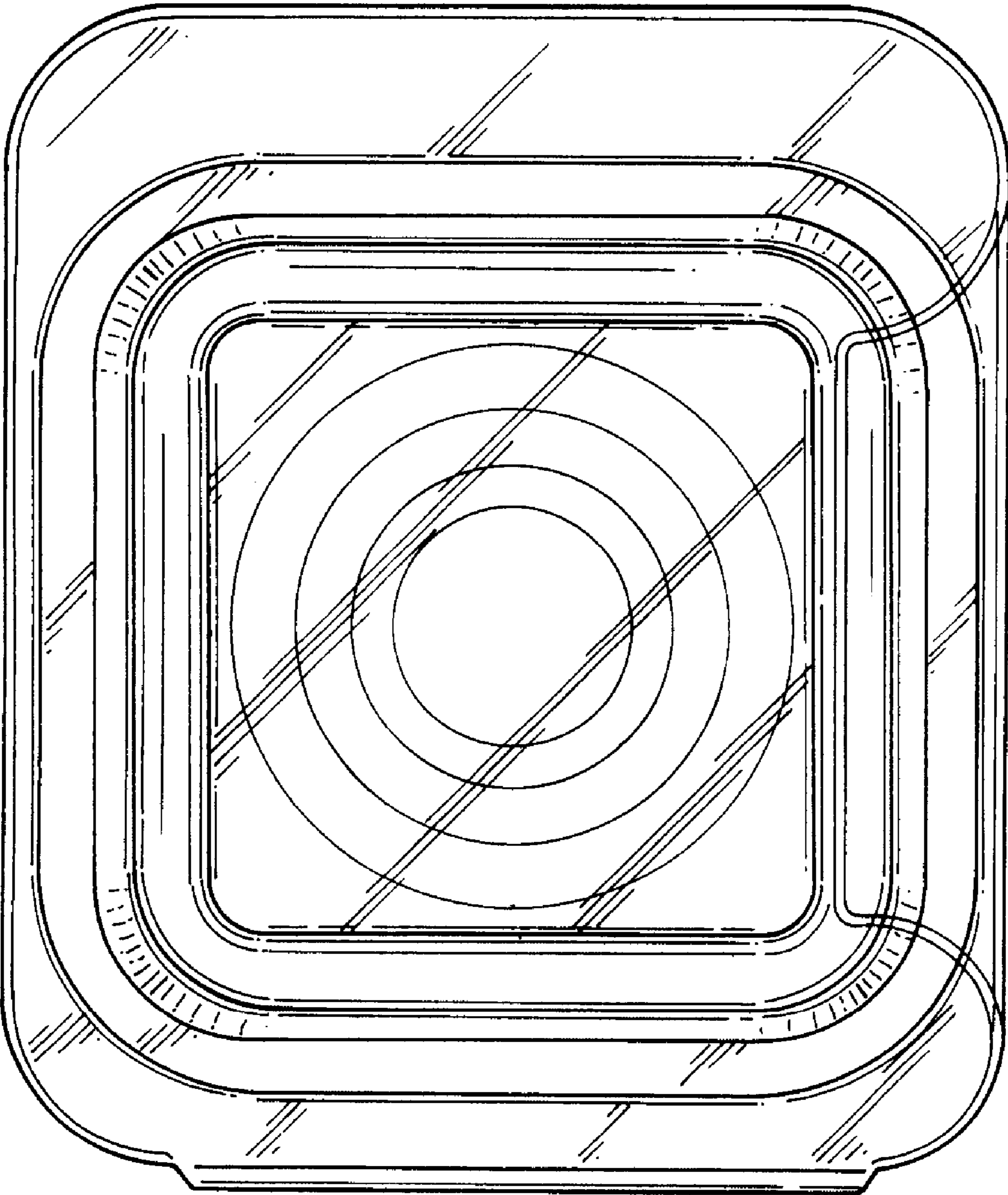


**Fig. 4**

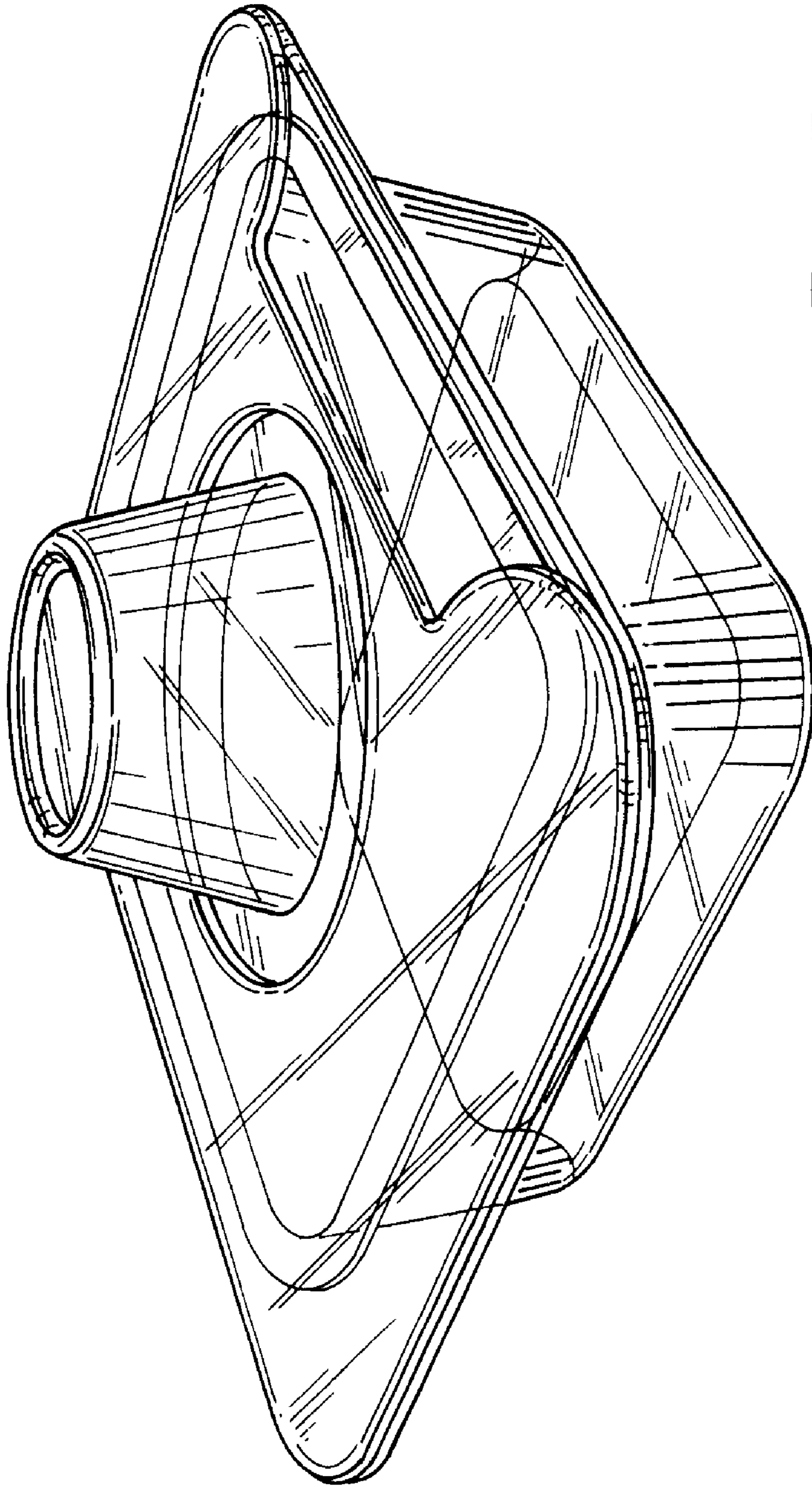


**Fig. 5**





**Fig. 6**



**Fig. 7**

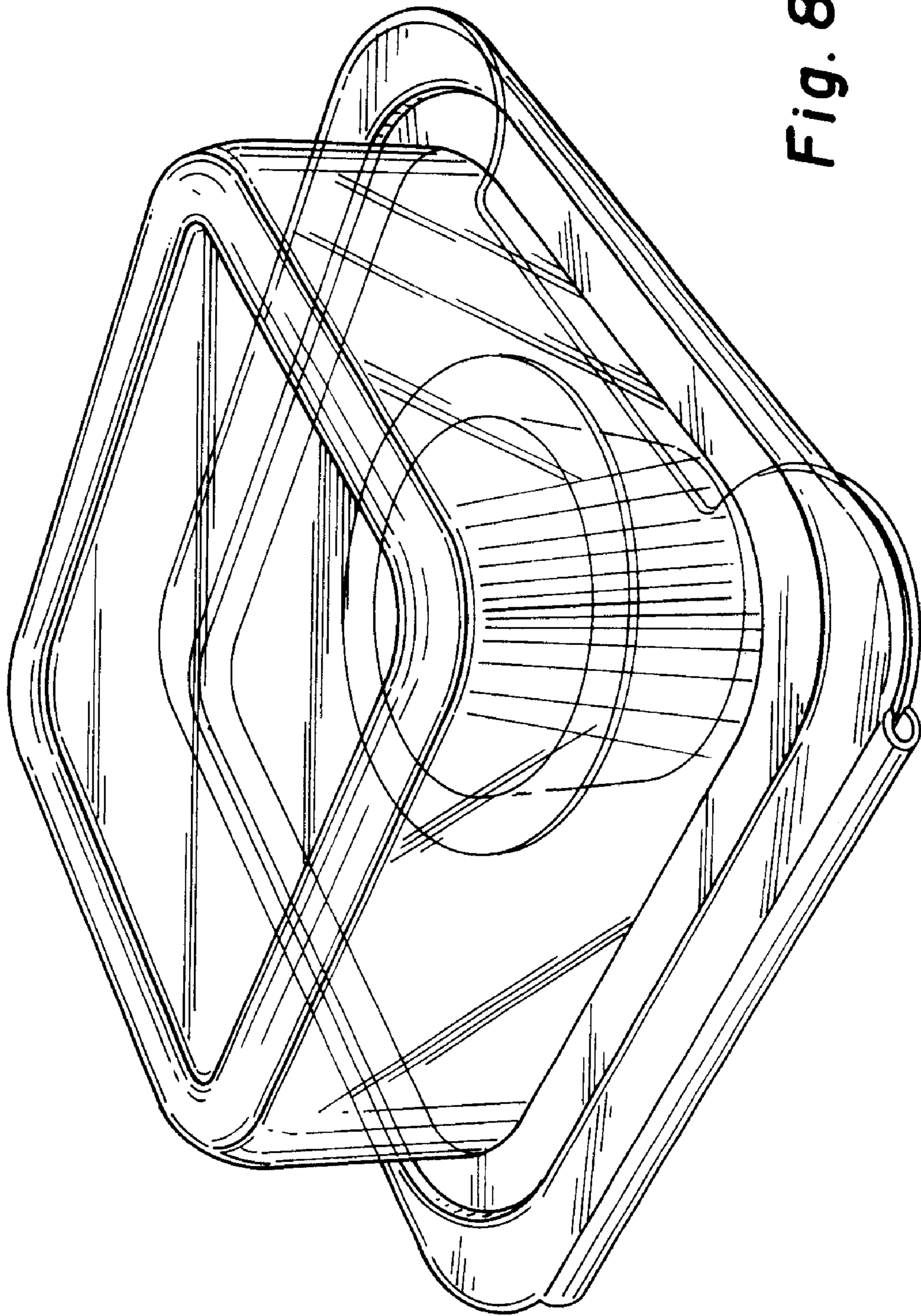
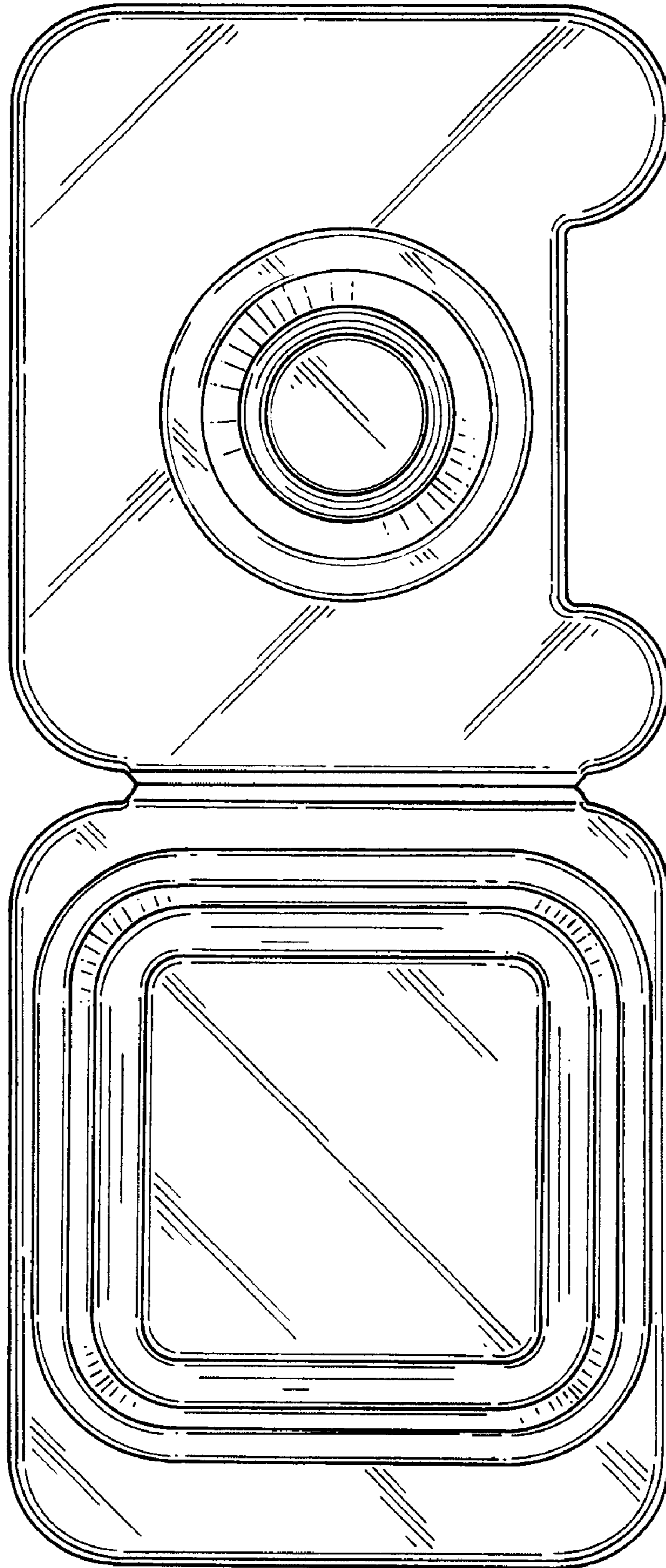


Fig. 8





**Fig. 9**