



US00D516434S

(12) **United States Design Patent**  
**McGuire**

(10) **Patent No.:** **US D516,434 S**  
(45) **Date of Patent:** **\*\* Mar. 7, 2006**

(54) **GASOLINE DISPENSER**

(76) **Inventor:** **Matthew McGuire**, 128 Romar Dr.,  
Milton, WI (US) 53563

(\*\*) **Term:** **14 Years**

(21) **Appl. No.:** **29/220,733**

(22) **Filed:** **Jan. 6, 2005**

(51) **LOC (8) Cl.** ..... **09-01**

(52) **U.S. Cl.** ..... **D9/527; D9/524; D9/528**

(58) **Field of Classification Search** ..... D9/520,  
D9/523-525, 528-532, 543, 572, 575; 215/396,  
215/398; 220/501, 567.2, 771; 222/26, 155,  
222/465.1, 539

See application file for complete search history.

(56) **References Cited**

**U.S. PATENT DOCUMENTS**

- 1,761,072 A \* 6/1930 Dohrmann ..... 222/539
- D213,949 S \* 4/1969 Lenhart ..... D9/520
- 4,294,372 A \* 10/1981 Onishi ..... 220/501
- 4,781,314 A 11/1988 Schoonover et al.
- 4,819,833 A \* 4/1989 Huddleston et al. .... 222/155

- D304,294 S 10/1989 Grenda
- 4,921,147 A 5/1990 Poirier
- D326,050 S \* 5/1992 Stockstill ..... D9/524
- 5,295,610 A \* 3/1994 Levison ..... 222/26
- D365,520 S \* 12/1995 Luther ..... D9/524
- 5,988,458 A 11/1999 Messner
- 6,313,604 B1 11/2001 Chen
- D497,313 S \* 10/2004 Glover ..... D9/524

\* cited by examiner

*Primary Examiner*—Stella Reid  
*Assistant Examiner*—Shanda C. Hill  
(74) *Attorney, Agent, or Firm*—Richard L. Mikesell

(57) **CLAIM**

The ornamental design for gasoline dispenser, as shown and described.

**DESCRIPTION**

FIG. 1 is a top front perspective view of a gasoline dispenser, showing my new design;  
FIG. 2 is a left side elevation view thereof; and,  
FIG. 3 is a rear elevation view thereof.

**1 Claim, 1 Drawing Sheet**

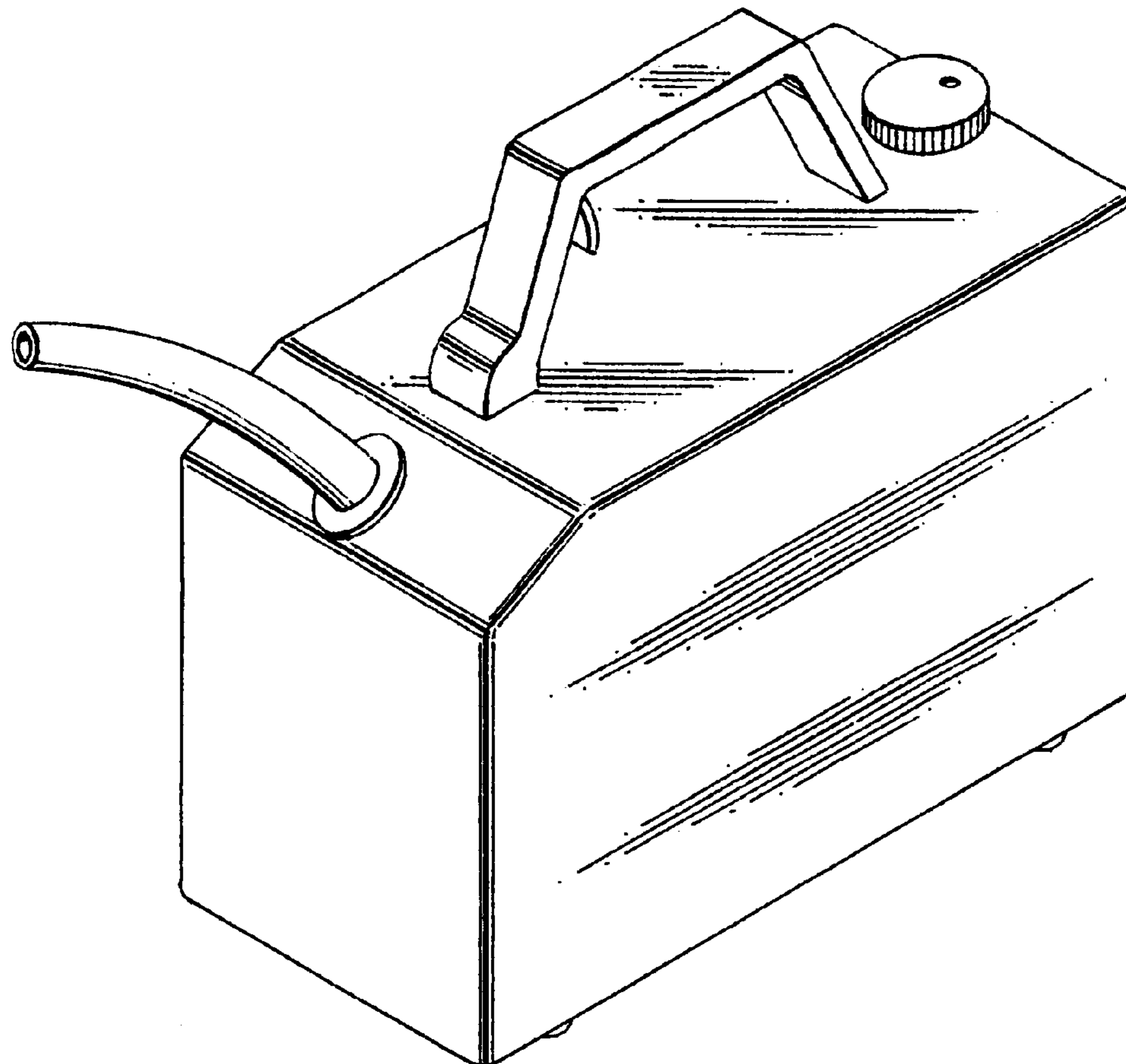


FIG. 1

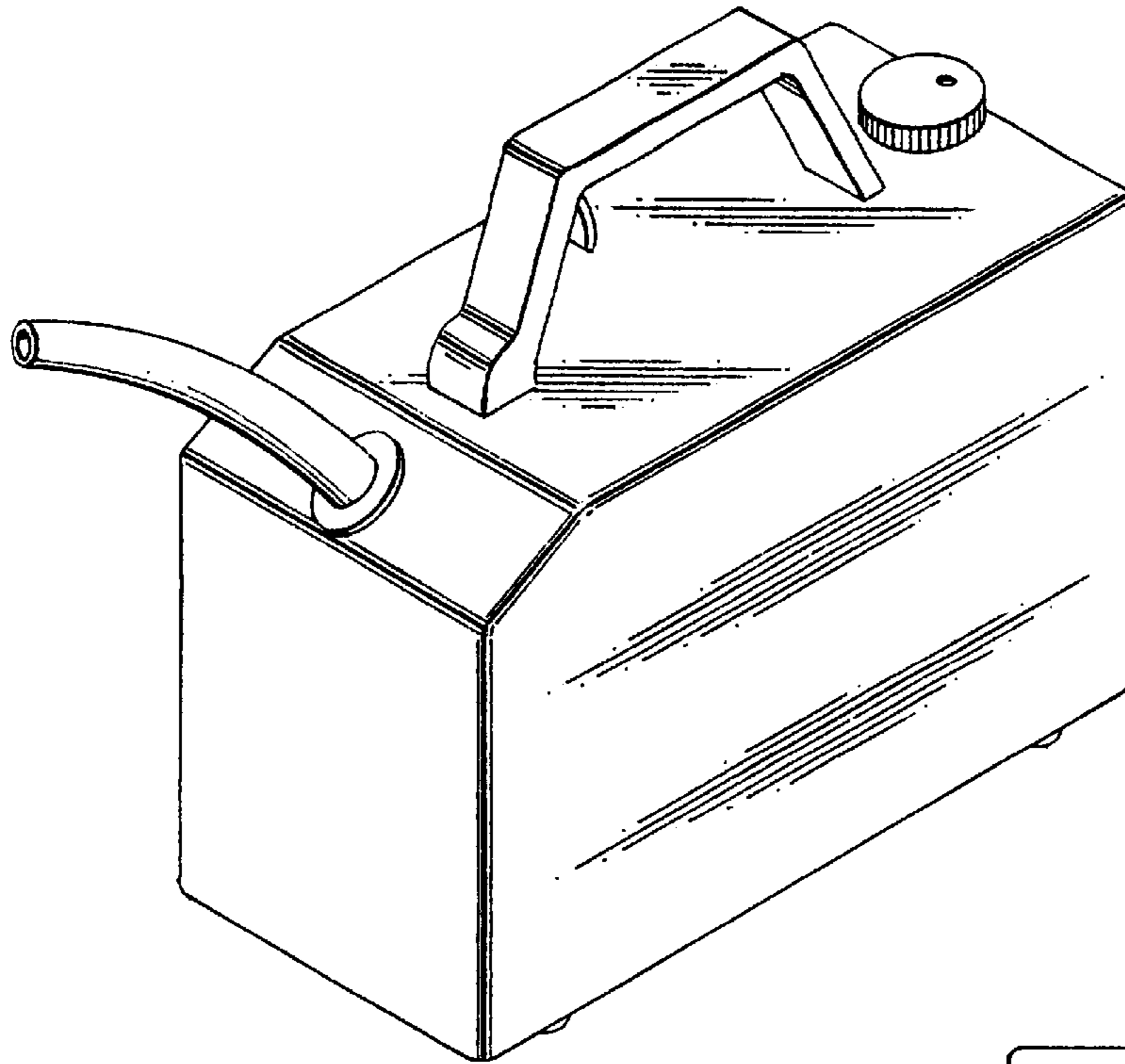


FIG. 2

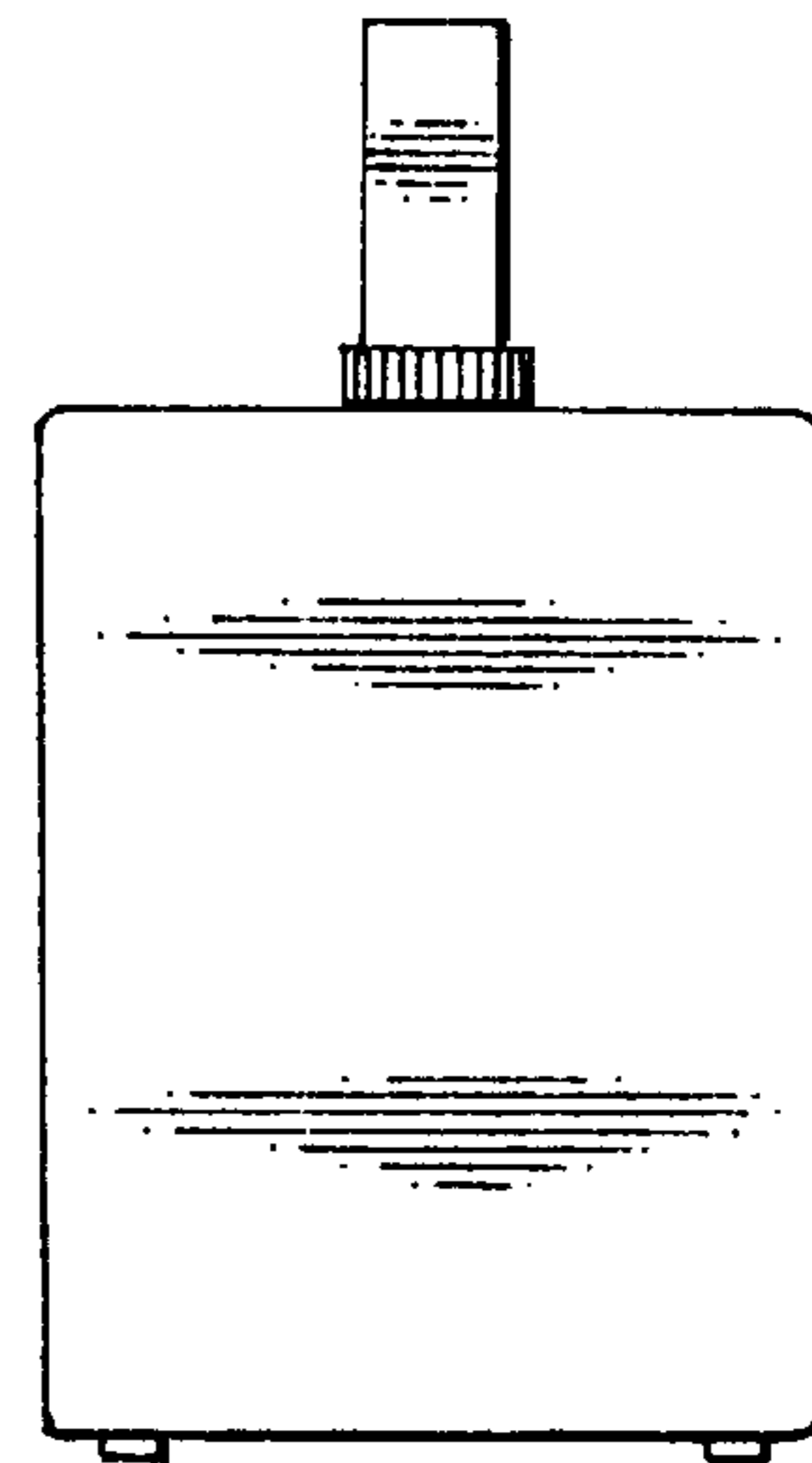
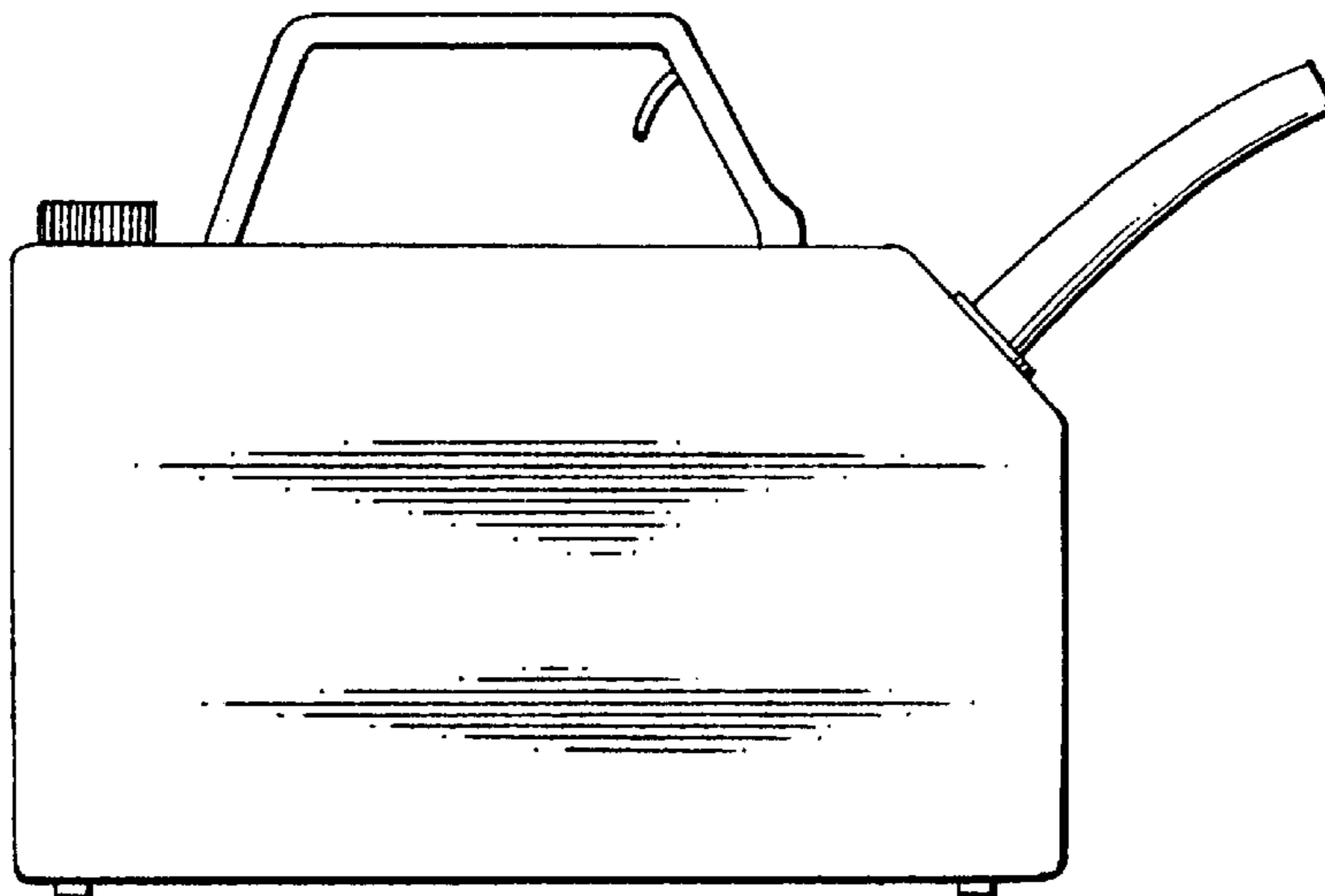


FIG. 3