



US00D516430S

(12) **United States Design Patent**
Ruiz

(10) **Patent No.:** **US D516,430 S**
(45) **Date of Patent:** **** Mar. 7, 2006**

(54) **CONTAINER FOR SEMI-LIQUID CANDY**

D422,901 S * 4/2000 Young et al. D9/689

(75) Inventor: **Jaime Alejandro Okusono Ruiz**, Santa Catarina (MX)

* cited by examiner

Primary Examiner—Carol Rademaker

(73) Assignee: **Mars Incorporated**, McLean, VA (US)

(74) *Attorney, Agent, or Firm*—Fitzpatrick, Cella, Harper & Scinto

(**) Term: **14 Years**

(57) **CLAIM**

(21) Appl. No.: **29/203,869**

The ornamental design for a container for semi-liquid candy, substantially as shown and described.

(22) Filed: **Apr. 21, 2004**

DESCRIPTION

(30) **Foreign Application Priority Data**

Feb. 2, 2004 (MX) PA/f/2004/000179

(51) **LOC (8) Cl.** **09-01**

(52) **U.S. Cl.** **D9/504; D9/724; D1/105**

(58) **Field of Classification Search** D9/682, D9/686–694, 718, 723–724, 500, 502–505, D9/509, 511, 513, 515–516, 519–520, 521, D9/529–530, 537–540, 545, 549, 556–558, D9/571, 435, 443–446, 449, 454; D1/102–103, D1/105, 130, 199; 215/12.1–12.2, 382–384; 220/4.27, 23.4, 23.83, 561, 761, 766, 770
See application file for complete search history.

FIG. 1 is a top, front perspective view of a container for semi-liquid candy showing my new design, with the outer cap in place and the inner cap removed for clarity of illustration;

FIG. 2 is a front elevation view thereof, the back, left side, and right side elevation views being the same;

FIG. 3 is a top plan view thereof;

FIG. 4 is a top, front perspective view of the container for semi-liquid candy shown in FIG. 1, with the outer cap and inner cap both removed for clarity of illustration;

FIG. 5 is a front elevation view thereof, the back, left side, and right side elevation views being the same;

FIG. 6 is a top plan view thereof;

FIG. 7 is a top, front perspective view of the container for semi-liquid candy shown in FIG. 1, with the outer cap and inner cap both shown in place;

FIG. 8 is a front elevation view thereof, the back, left side, and right side elevation views being the same;

FIG. 9 is a top plan view thereof;

FIG. 10 is a bottom plan view thereof.

FIG. 11 is a top, front exploded view of the container for semi-liquid candy shown in FIG. 7; and,

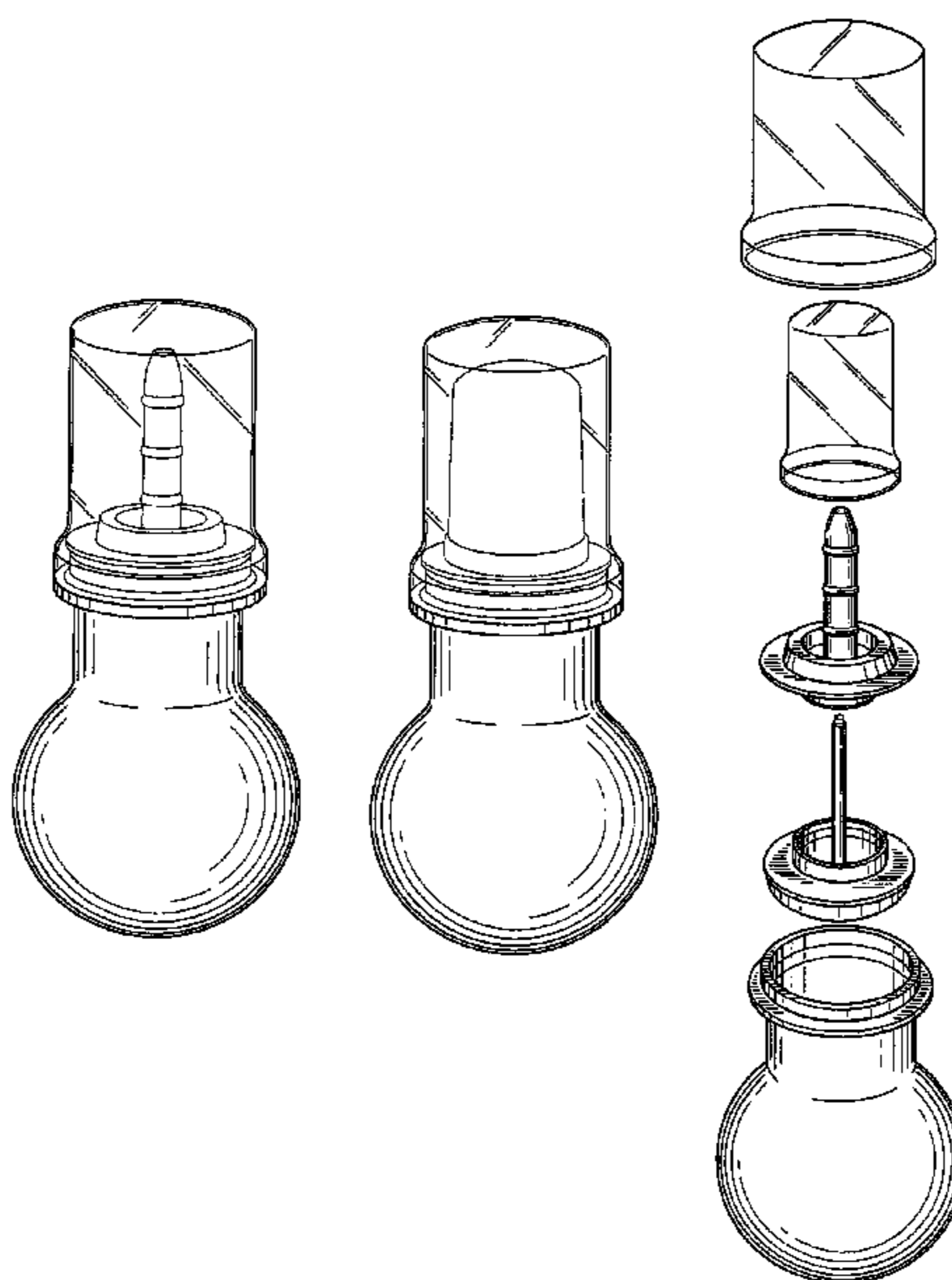
FIG. 12 is a bottom, front exploded view of the container for semi-liquid candy shown in FIG. 7.

(56) **References Cited**

U.S. PATENT DOCUMENTS

- 2,029,997 A * 2/1936 Gaddy 222/215
- 3,167,079 A * 1/1965 Weil D9/502 X
- D202,300 S * 9/1965 Prudden D9/504
- D214,307 S * 6/1969 Vignelli D9/503
- D221,618 S * 8/1971 Levin D9/724
- D274,886 S * 7/1984 Capezzuto D9/504
- 4,469,464 A * 9/1984 Capezzuto 401/183
- D330,218 S * 10/1992 Kimura D9/529 X
- D367,004 S * 2/1996 Herbst et al. D9/689
- D369,294 S * 4/1996 Hirato D9/691
- D415,872 S * 11/1999 Shorin D1/105

1 Claim, 6 Drawing Sheets



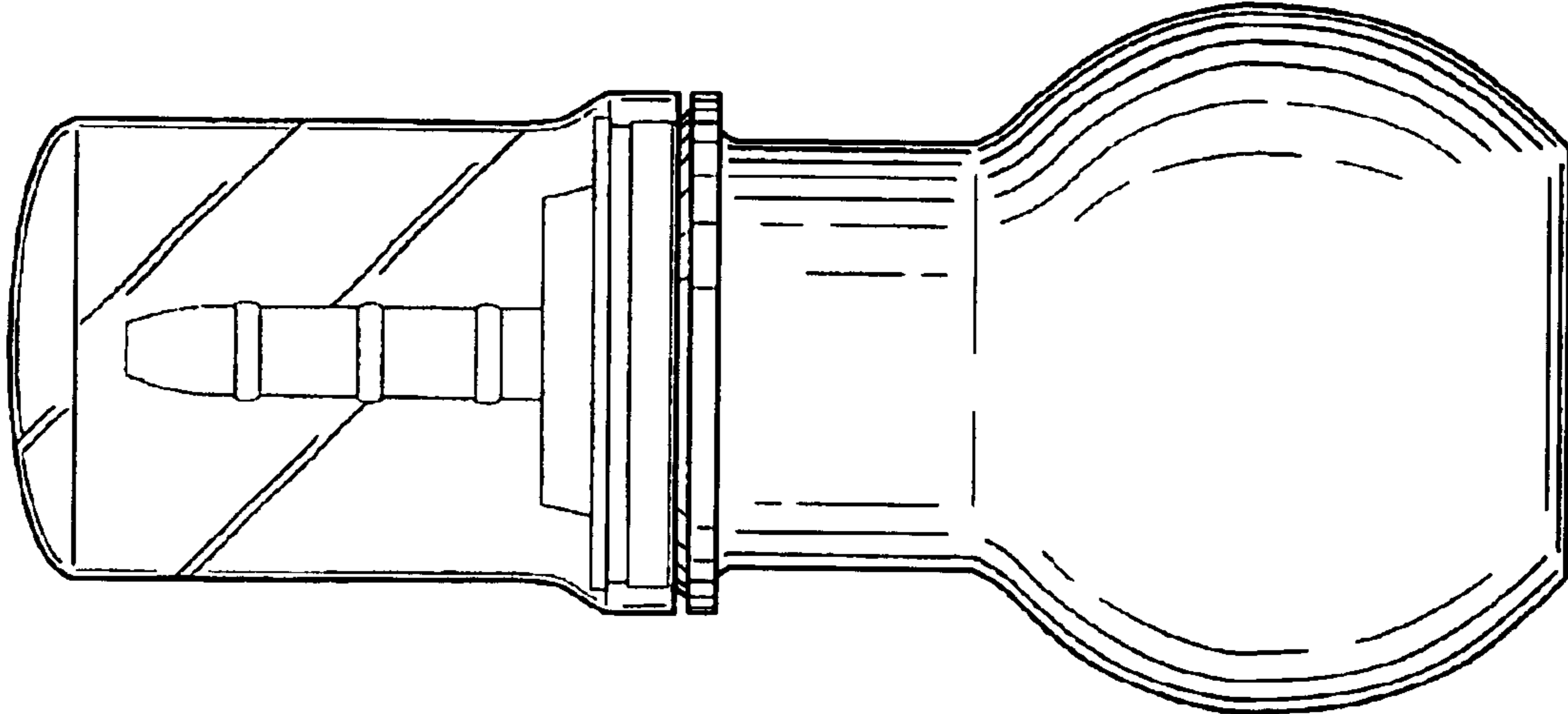


FIG. 2

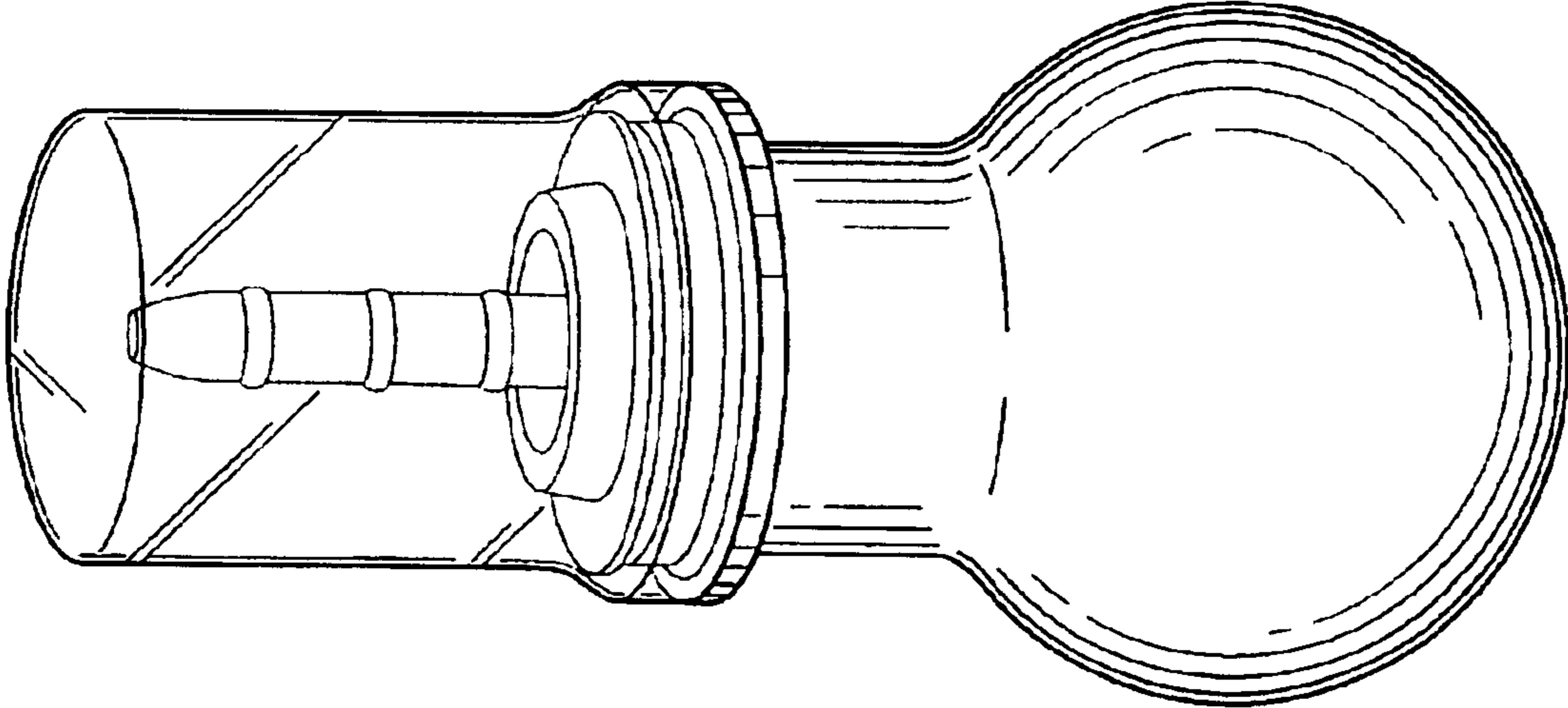


FIG. 1

FIG. 3

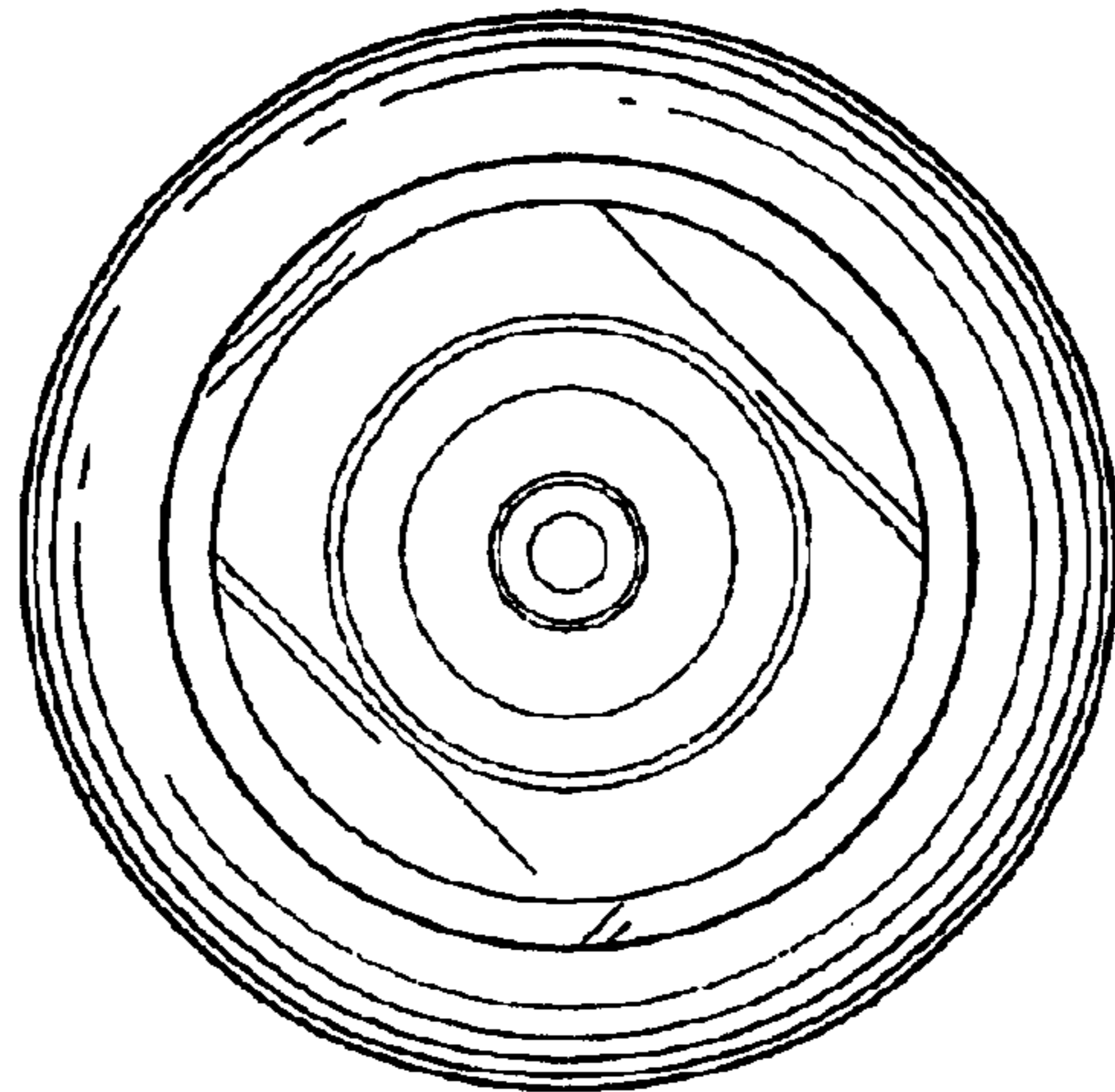


FIG. 4

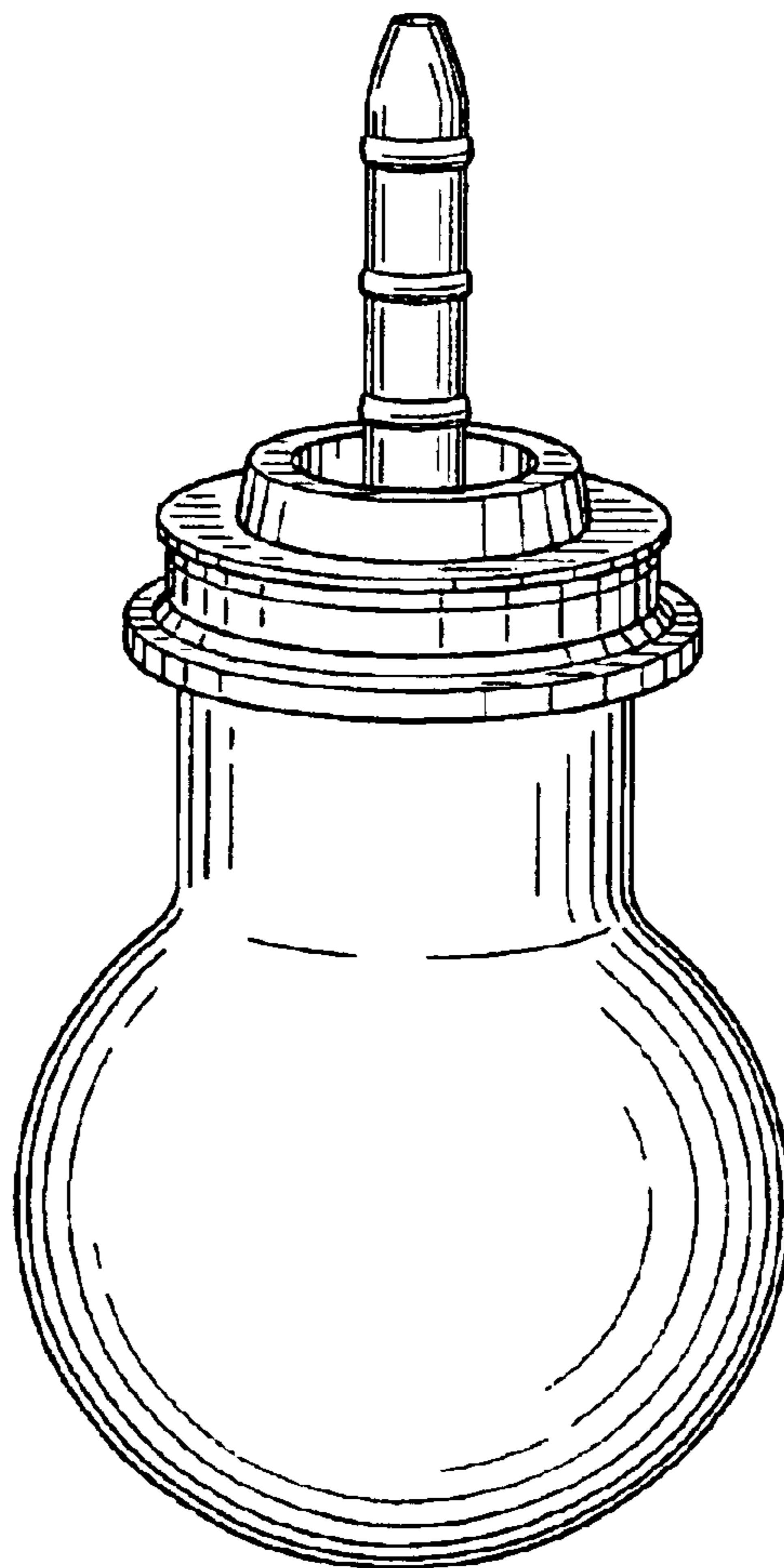


FIG. 5

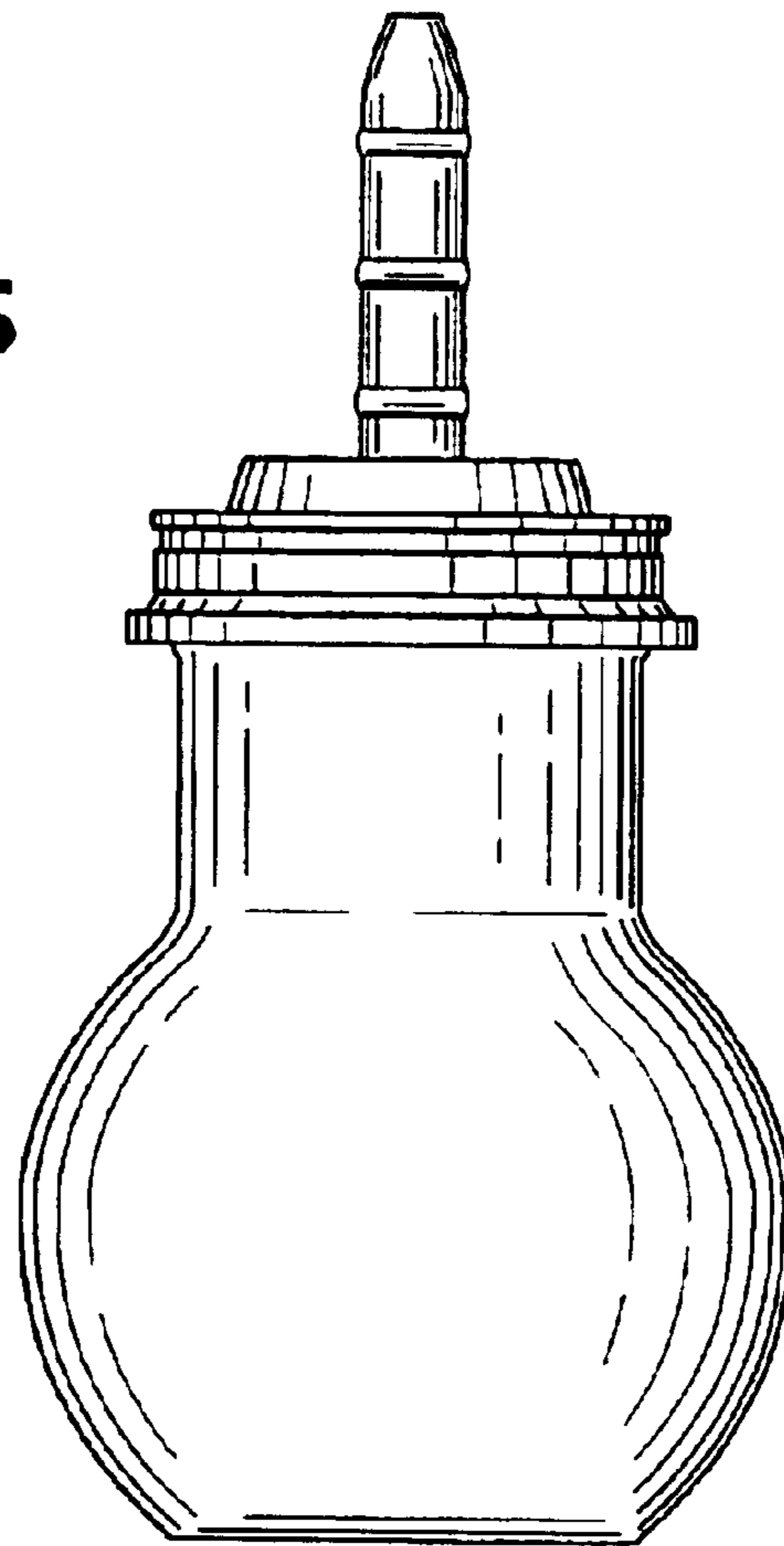
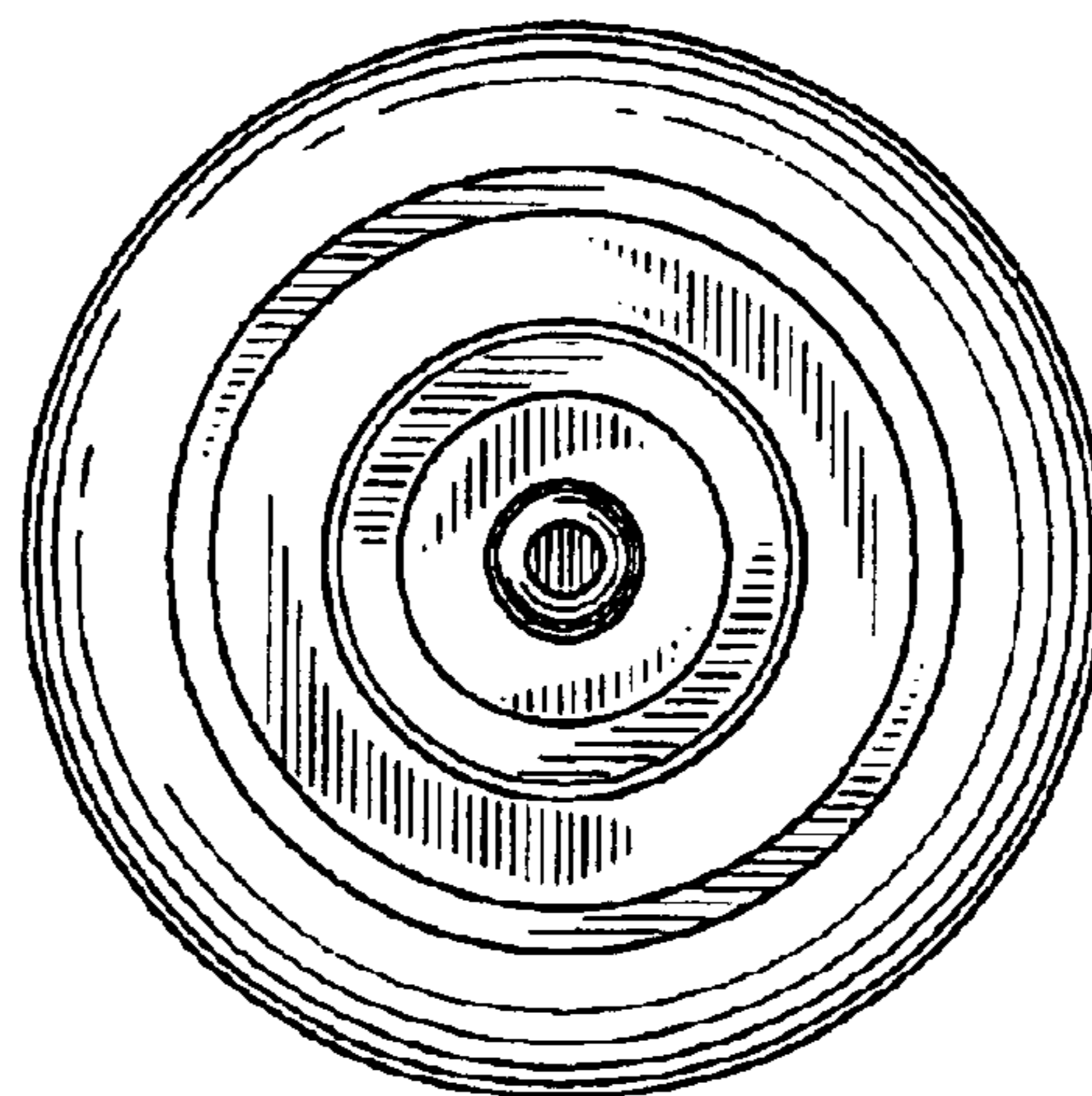


FIG. 6



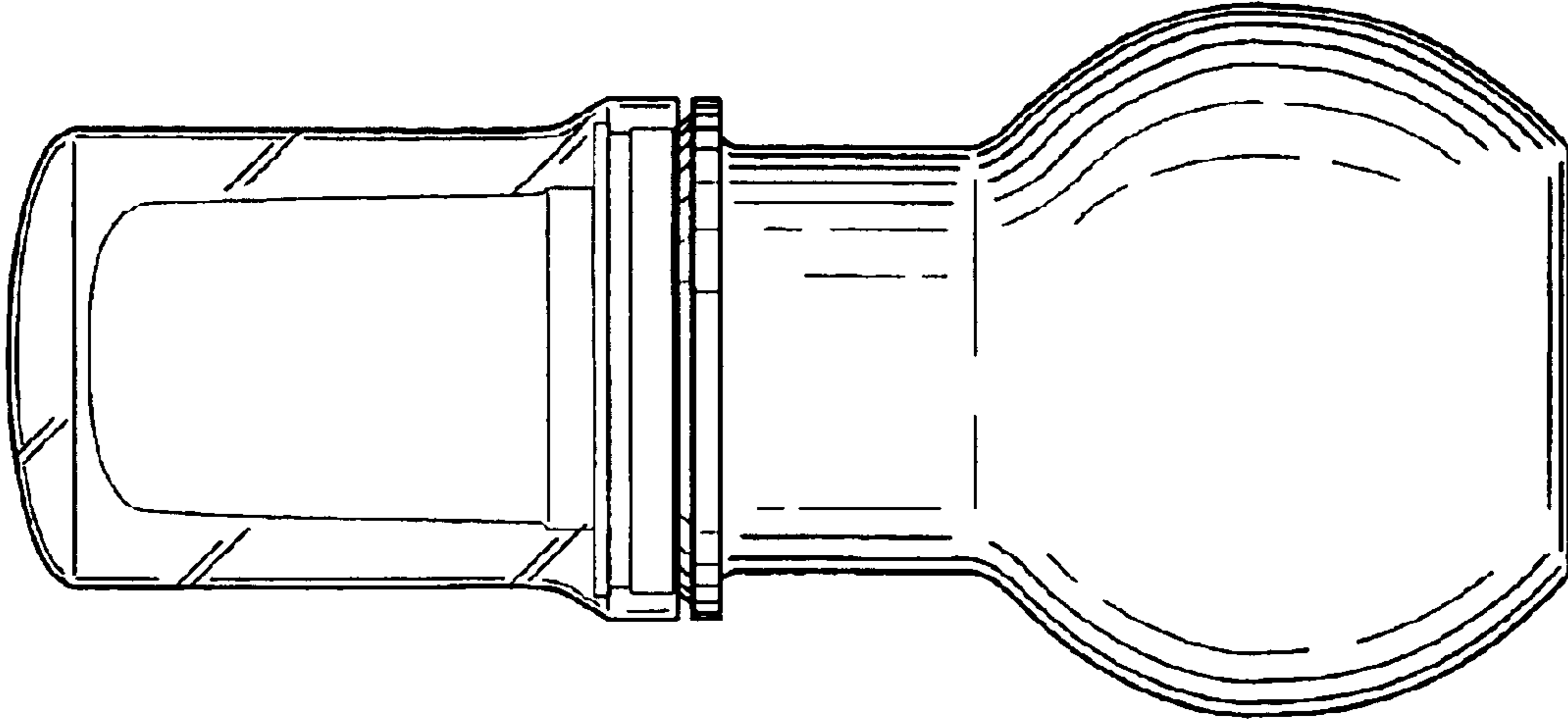


FIG. 8

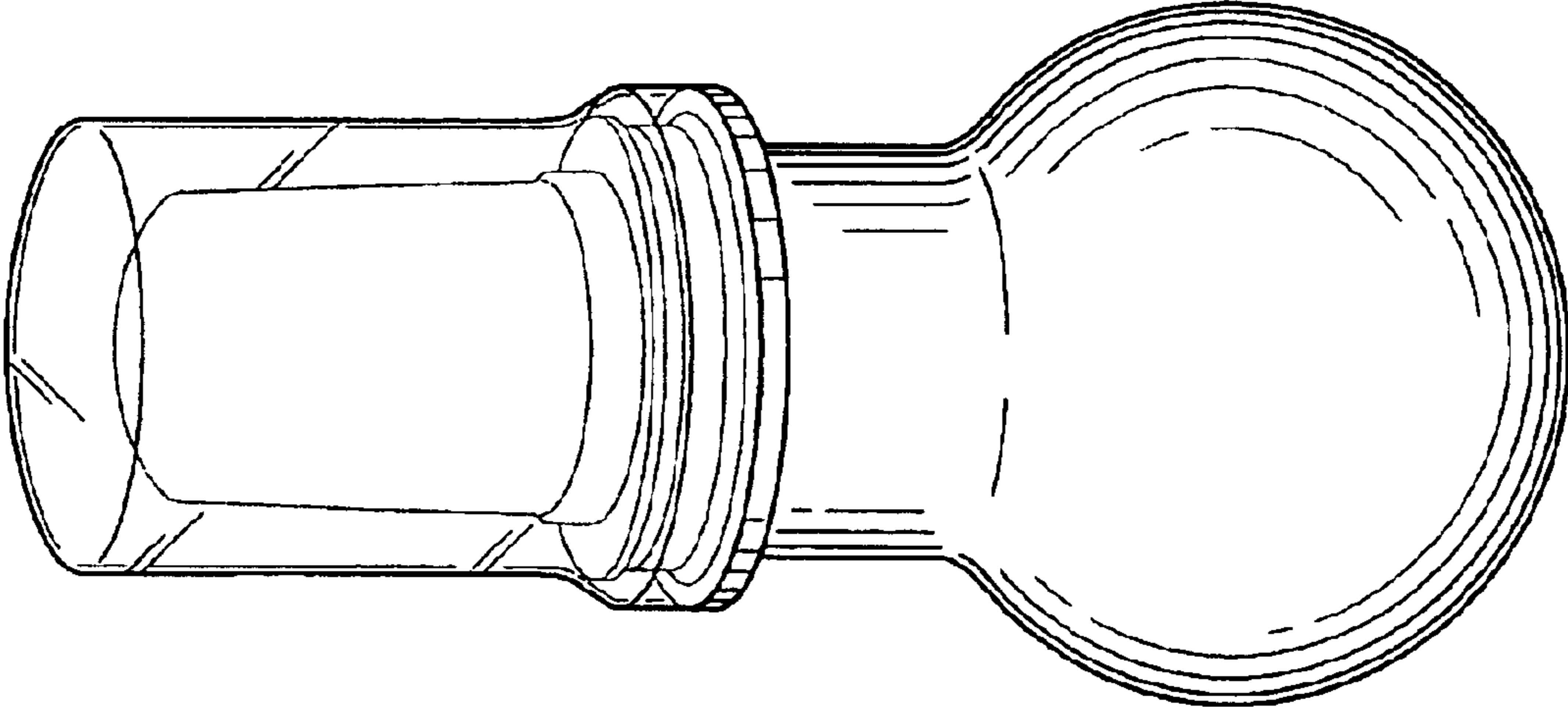


FIG. 7

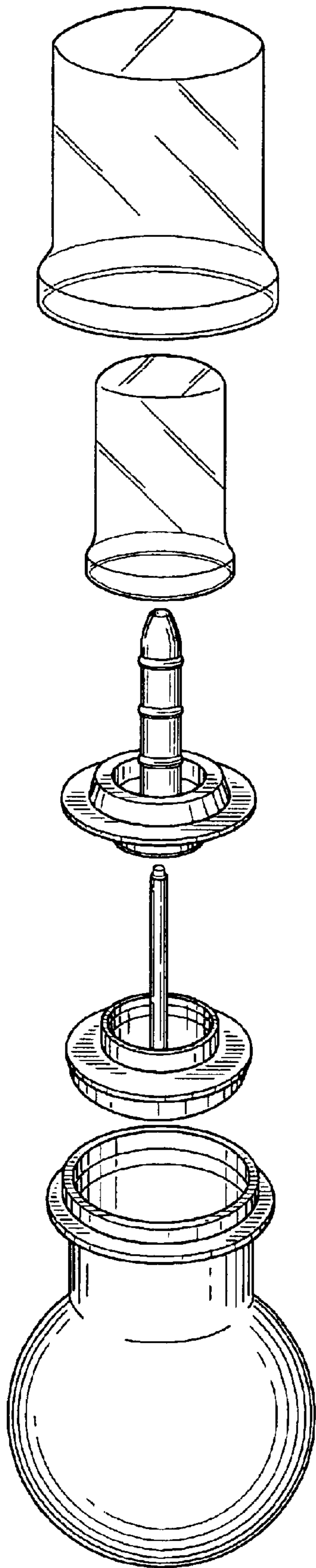


FIG. 11

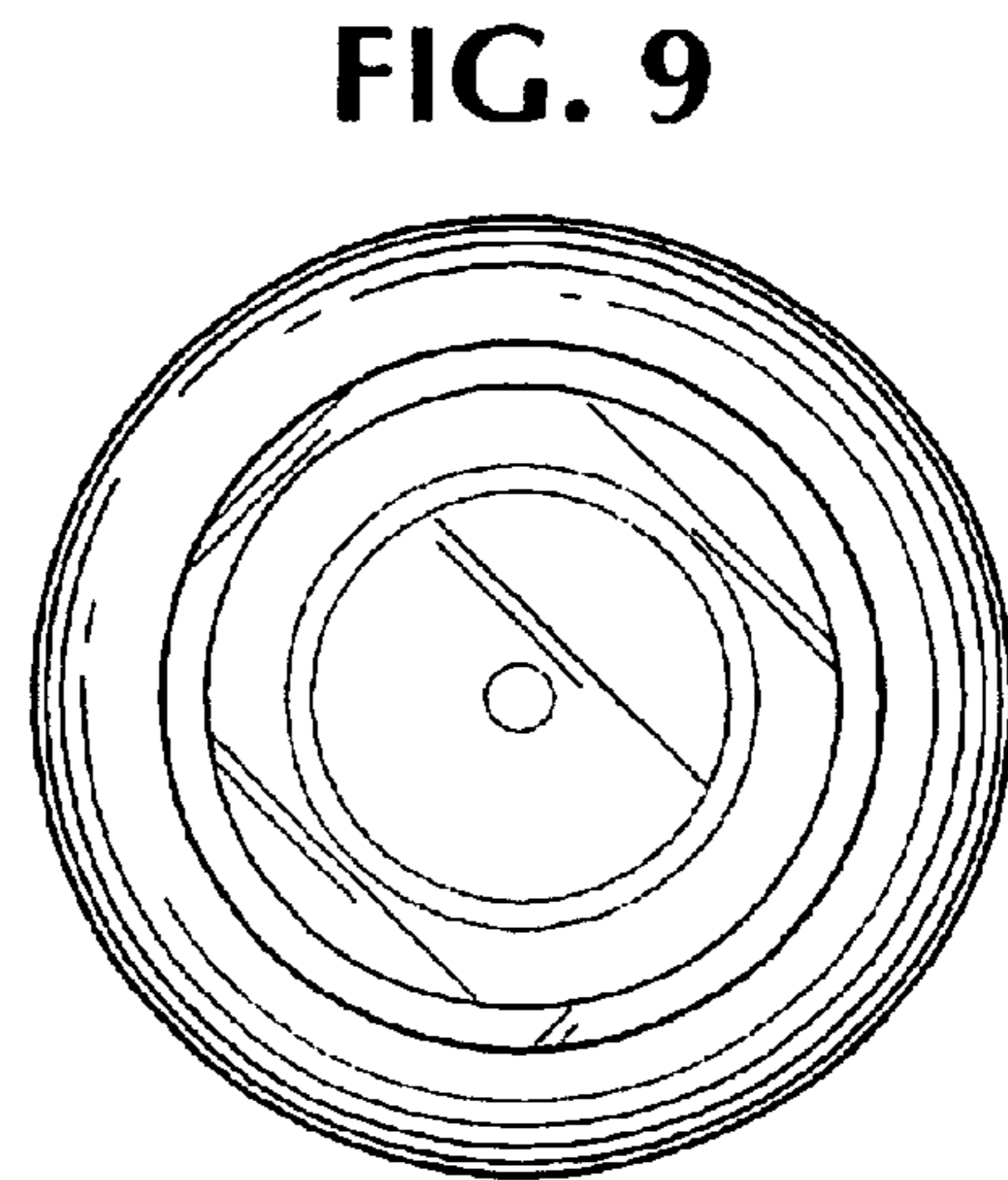


FIG. 9

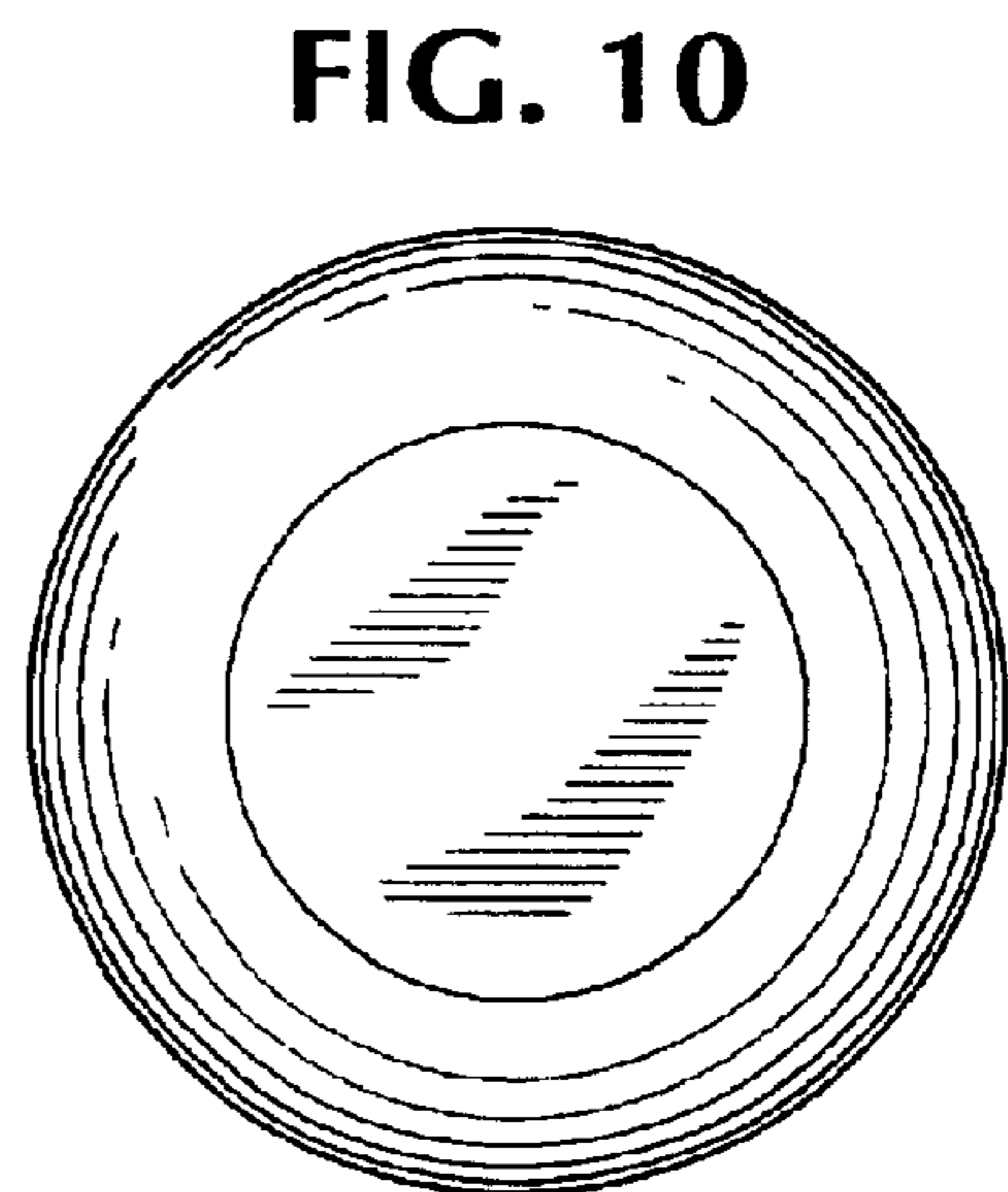


FIG. 10

FIG. 12

