

US00D516428S

(12) **United States Design Patent** (10) **Patent No.:** **US D516,428 S**
Bezek et al. (45) **Date of Patent:** **** Mar. 7, 2006**

(54) **SNACK FOOD CONTAINER**
(75) Inventors: **Edward Anthony Bezek**, Frisco, TX
(US); **Patrick Joseph Bierschenk**,
Dallas, TX (US); **John Joseph Michels**,
Highland Village, TX (US)

4,051,265 A 9/1977 Kirshenbaum et al.
4,054,220 A 10/1977 Rosenstein
D246,896 S 1/1978 Plummer
D247,471 S 3/1978 Strand
D247,472 S 3/1978 Byrne
4,077,538 A 3/1978 Waterbury
D247,847 S 5/1978 Kretz

(73) Assignee: **Frito-Lay North America, Inc.**, Plano,
TX (US)

(Continued)

(**) Term: **14 Years**

FOREIGN PATENT DOCUMENTS

(21) Appl. No.: **29/183,999**

FR 2646071 4/1989
GB 2074762 * 9/1998
WO WO 92/04243 3/1992

(22) Filed: **Jun. 19, 2003**

OTHER PUBLICATIONS

(51) **LOC (8) Cl.** **09-01**
(52) **U.S. Cl.** **D9/502; D9/529**
(58) **Field of Classification Search** D9/686,
D9/688, 692, 723-727, 500, 502-505, 509,
D9/511, 513, 515-516, 518, 529-530, 537-540,
D9/545, 549, 557-558, 574, 444-445, 452,
D9/454; D24/197; 215/381-385, 396, 398,
215/400; 220/4.27, 906; 426/43, 115, 120,
426/234, 583-584; D7/12.1-12.2, 510-512
See application file for complete search history.

Advertisement by Land O' Lakes showing a personal size
container for beverages, trademarked as the "Grip." It also
has a resealable top, (ad shows date of 2000).

Primary Examiner—Carol Rademaker
(74) *Attorney, Agent, or Firm*—Colin P. Cahoon; Carstens
& Cahoon, LLP

(57) **CLAIM**

The ornamental design for a snack food container, as shown
and described.

(56) **References Cited**

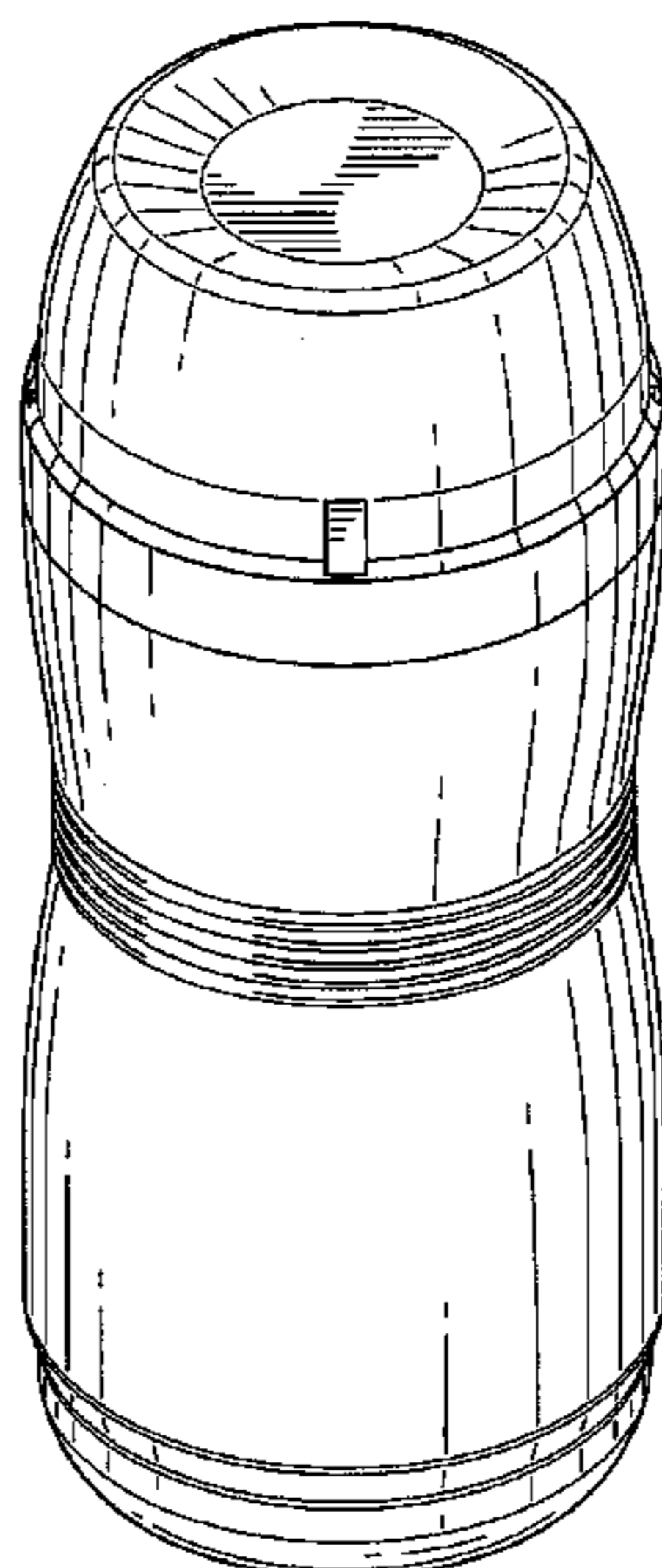
DESCRIPTION

U.S. PATENT DOCUMENTS

2,076,132 A 4/1937 Le Rose
2,121,041 A 6/1938 Morgan
2,297,285 A 9/1942 Bledsoe
2,346,417 A 4/1944 Cornwell et al.
2,533,349 A 12/1950 Burger
2,543,427 A 2/1951 Warne
2,619,245 A 11/1952 Levi
2,766,796 A 10/1956 Tupper
3,021,977 A 2/1962 Hester
D192,334 S * 3/1962 Eicholtz D9/515
3,760,968 A 9/1973 Amberg et al.
3,813,000 A 5/1974 Underwood
3,828,999 A 8/1974 Humphrey
3,915,296 A 10/1975 Spencer
3,952,911 A 4/1976 Bozek et al.

FIG. 1 is a perspective view of the snack food container of
the present invention;
FIG. 2 is a front elevation view of the snack food container
of the present invention, with the rear elevation view, left
elevation view, and right elevation view all mirror images of
the front elevation view;
FIG. 3 is a top plan view of the snack food container of the
present invention; and,
FIG. 4 is a bottom plan view of the snack food container of
the present invention.
The broken line shown on the bottom in FIG. 4 defines the
boundary of the claim. The central portion within this
broken line boundary forms no part of the claimed design.

1 Claim, 1 Drawing Sheet



US D516,428 S

Page 2

U.S. PATENT DOCUMENTS

4,163,517 A	8/1979	Kappler et al.	D418,758 S	1/2000	Yucknut	
4,190,168 A	2/1980	Jacques	6,116,469 A *	9/2000	Wallays et al.	222/148
D254,840 S	4/1980	Aldrich, III	6,152,302 A	11/2000	Miller et al.	
RE30,805 E	11/1981	Rhoads	D436,501 S *	1/2001	Huang	D7/608
4,417,504 A	11/1983	Yamamoto	6,170,666 B1	1/2001	DesLauriers	
4,444,324 A	4/1984	Grenell	D445,030 S *	7/2001	Croft et al.	D9/502
4,483,890 A	11/1984	Beery et al.	D445,337 S *	7/2001	Croft et al.	D9/504
4,819,819 A	4/1989	Robertson, Jr.	D447,057 S *	8/2001	Bezek et al.	D9/504
5,065,923 A	11/1991	Hoefler et al.	D447,418 S *	9/2001	Bezek et al.	D9/504
D345,695 S	4/1994	Frazer et al.	D447,693 S *	9/2001	Warner et al.	D9/503
5,383,558 A	1/1995	Wilkinson et al.	D452,437 S *	12/2001	Bezek et al.	D9/502
5,429,262 A	7/1995	Sharkey	D452,439 S *	12/2001	Bezek et al.	D9/502
5,482,170 A	1/1996	Semersky et al.	D452,440 S *	12/2001	Bezek et al.	D9/502
5,499,763 A	3/1996	DeMars	D452,441 S *	12/2001	Bezek et al.	D9/502
D371,304 S	7/1996	Onneweer	D452,824 S *	1/2002	Bezek et al.	D9/502
5,613,620 A	3/1997	Center et al.	D453,684 S *	2/2002	Bezek et al.	D9/502
5,788,076 A	8/1998	Simmons	6,472,007 B1 *	10/2002	Bezek et al.	426/115
5,797,509 A	8/1998	Fitch	6,596,328 B1 *	7/2003	Bezek et al.	426/115
5,938,062 A	8/1999	Paramski	D490,709 S *	6/2004	Bezek	D9/444
6,006,945 A	12/1999	Kirkland	2002/0008106 A1 *	1/2002	Bezek et al.	220/4.27

* cited by examiner

FIG. 1

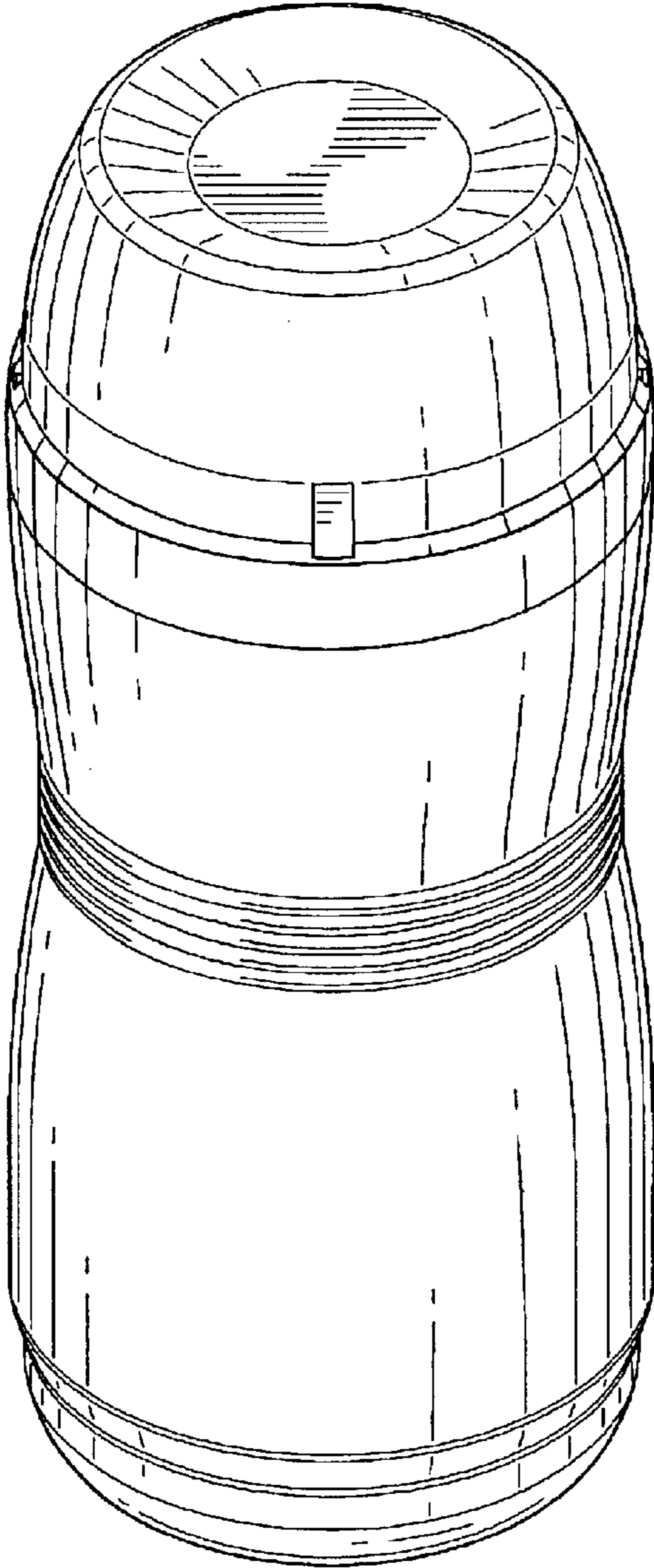


FIG. 2

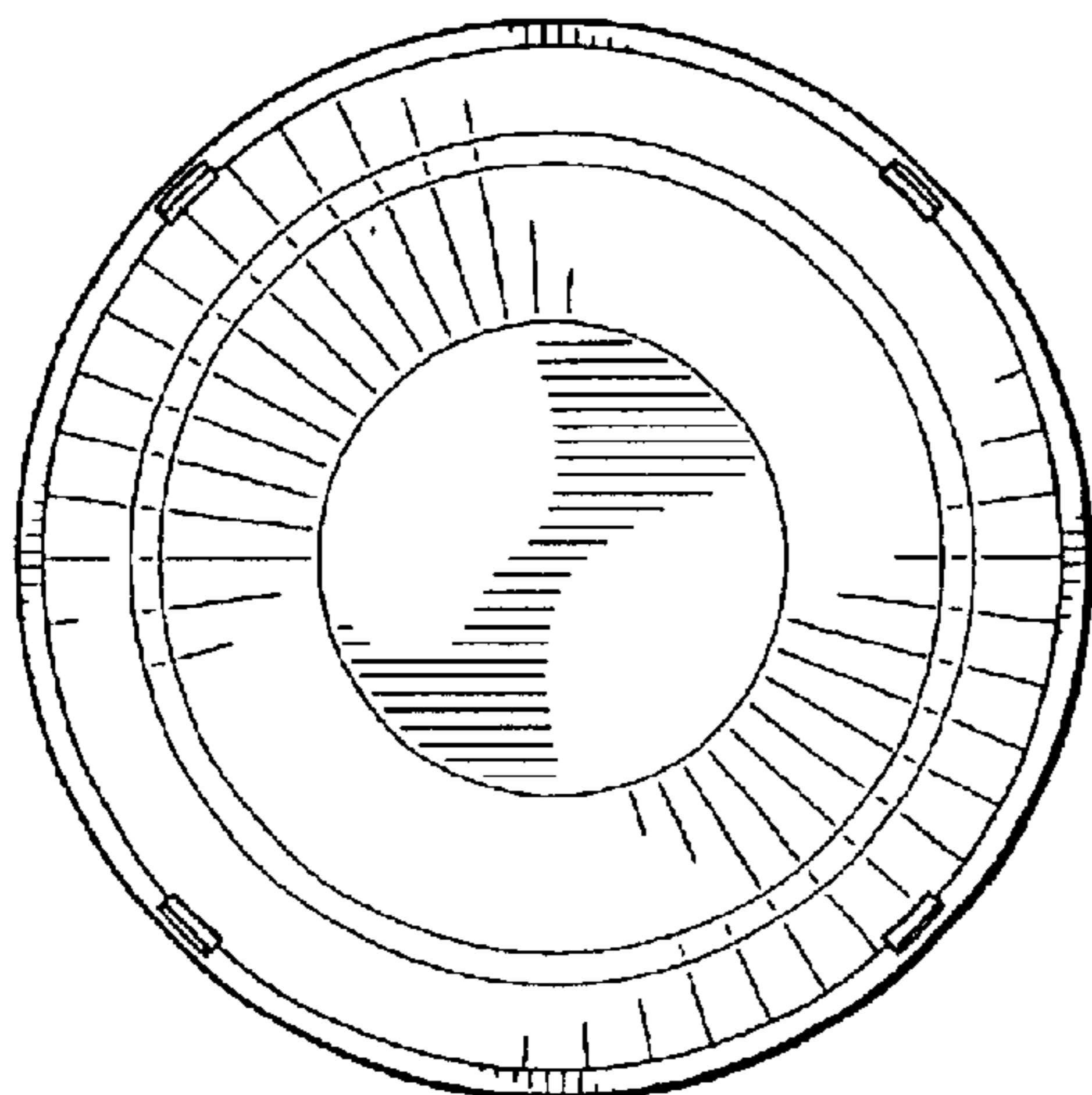
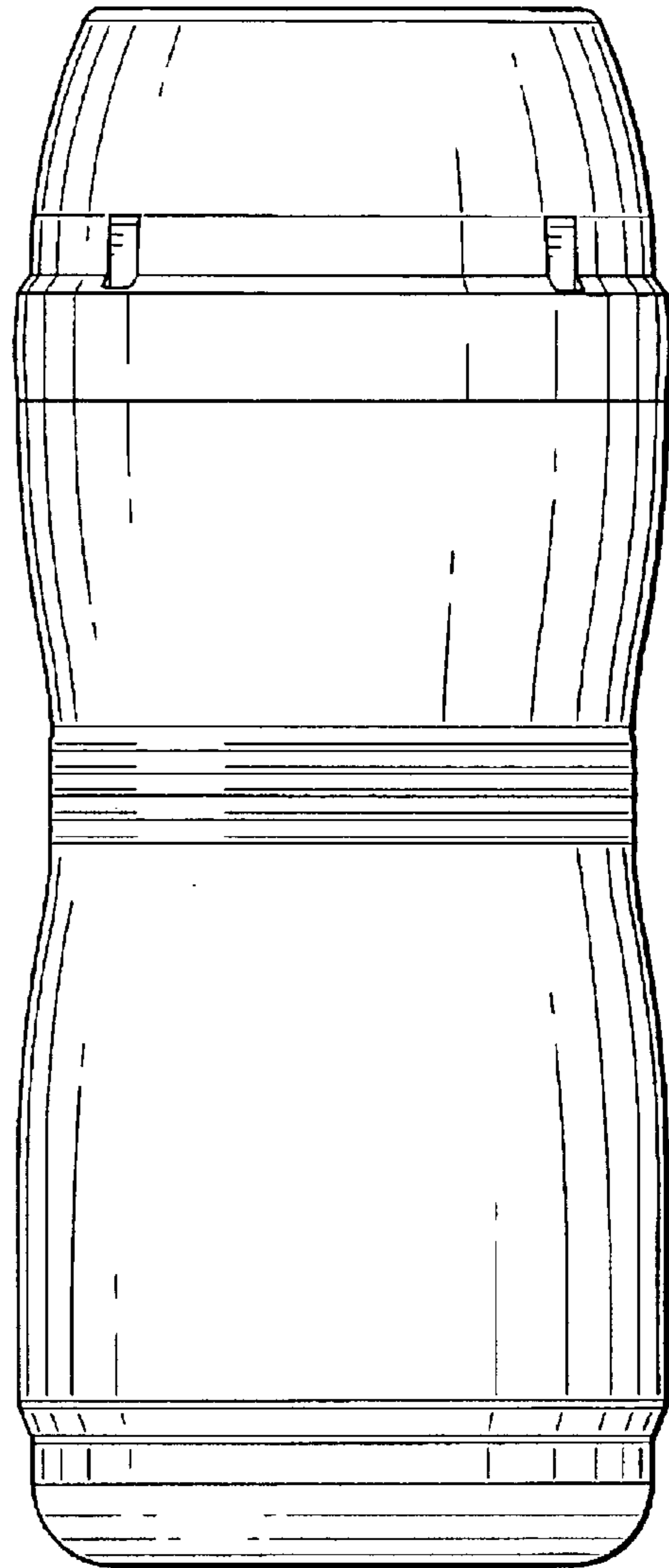


FIG. 3

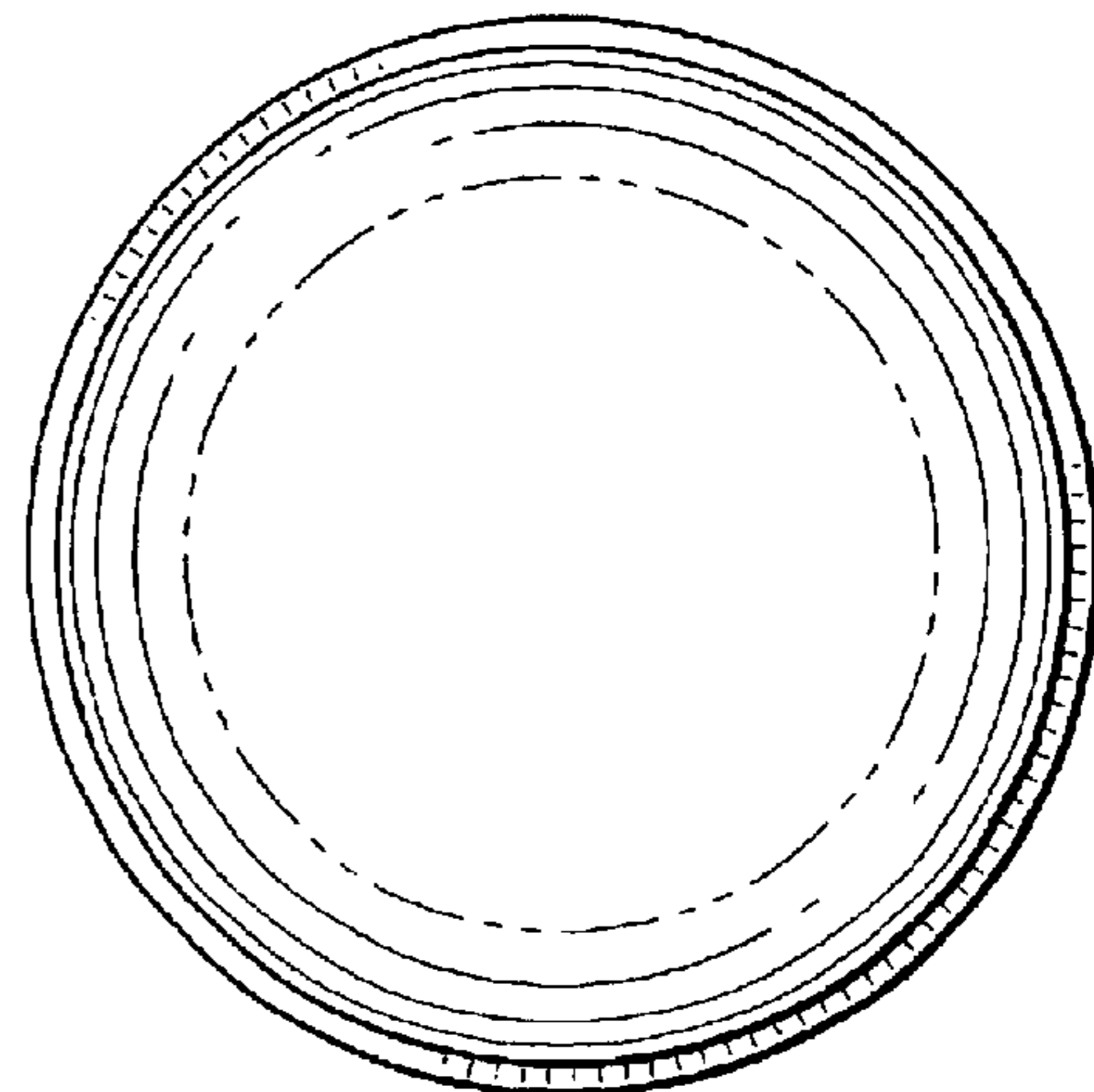


FIG. 4