



US00D516425S

(12) **United States Design Patent** (10) **Patent No.:** **US D516,425 S**  
**Haffner et al.** (45) **Date of Patent:** **\*\* Mar. 7, 2006**

(54) **DISPENSING CLOSURE**

5,769,253 A 6/1998 Gross  
D407,976 S 4/1999 Ekkert  
D410,388 S 6/1999 Fisher et al.

(75) Inventors: **Eugene F. Haffner**, Waterville, OH  
(US); **Leonora M. Brozell**, Maumee,  
OH (US)

(Continued)

(73) Assignee: **Owens- Illinois Closure Inc.**, Toledo,  
OH (US)

**FOREIGN PATENT DOCUMENTS**

(\*\*) **Term:** **14 Years**

GB	1012623	12/1983
GB	1051439	1/1989
GB	2023440	3/1993
GB	2028887	7/1993
GB	2047797	9/1995
GB	2050338	1/1996
GB	2051740	3/1996
GB	2057575	11/1996
GB	2075341	11/1998
GB	2092935	7/2000
GB	2096957	1/2001

(21) Appl. No.: **29/216,040**

(22) Filed: **Oct. 27, 2004**

(51) **LOC (8) Cl.** ..... **09-07**

(52) **U.S. Cl.** ..... **D9/449**

(58) **Field of Classification Search** ..... D9/454,  
D9/449, 447, 446, 442, 440, 435, 434, 529;  
222/556; 220/254.3; 215/235

See application file for complete search history.

**OTHER PUBLICATIONS**

Photographs (6) of "Suave" Dispensing Closure.

*Primary Examiner*—Robert M. Spear  
*Assistant Examiner*—Susan Bennett Hattan

(56) **References Cited**

**U.S. PATENT DOCUMENTS**

3,323,671 A	6/1967	Minarik, Jr. et al.	
4,022,352 A	5/1977	Pehr	
4,042,105 A	8/1977	Taylor	
4,209,100 A	6/1980	Uhlig	
D266,311 S	9/1982	Mattheis	
4,441,637 A	4/1984	Libit	
4,457,458 A	7/1984	Heinol	
D275,181 S	8/1984	Jeffries et al.	
4,533,058 A	8/1985	Uhlig	
D284,066 S	6/1986	Civre	
4,638,916 A	1/1987	Beck et al.	
D292,889 S	11/1987	Ostrowsky	
4,821,899 A *	4/1989	Nycz et al. ....	215/235
4,911,337 A	3/1990	Rosenthal	
D334,538 S	4/1993	Bolen, Jr. et al.	
5,203,468 A *	4/1993	Hsu .....	220/254.3
D340,188 S	10/1993	Forsyth	
D355,121 S	2/1995	Kohl	
D356,499 S	3/1995	Cautereels et al.	
D356,949 S *	4/1995	Mueller et al. ....	D9/440
D385,791 S	11/1997	Forsyth et al.	
D391,484 S	3/1998	Santagiuliana	

(57) **CLAIM**

We claim the ornamental design for a dispensing closure, as shown and described.

**DESCRIPTION**

FIG. 1 is a perspective view of the dispensing closure with the lid closed, the bottom of the dispensing closure forming no part of the claimed design.

FIG. 2 is a front elevational view of the dispensing closure illustrated in FIG. 1.

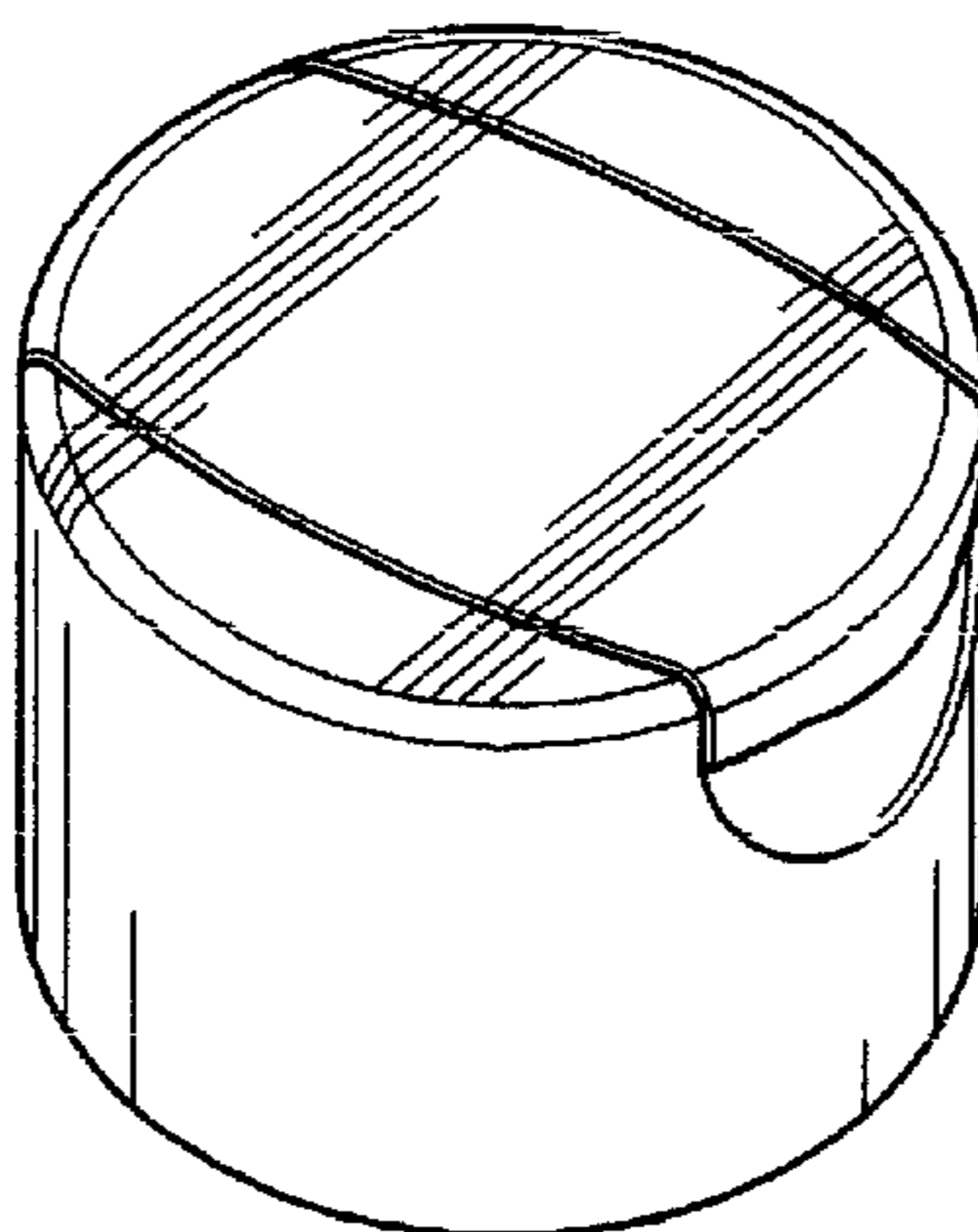
FIG. 3 is a side elevational view of the dispensing closure, taken from the left in FIG. 2, with the opposing side elevational view being a mirror image of FIG. 3.

FIG. 4 is a rear elevational view of the closure in FIGS. 1-3, with the lid hinges being shown in phantom for environment and forming no part of the claimed design.

FIG. 5 is a perspective view of the closure of FIGS. 1-4 with the lid open; and,

FIG. 6 is a top plan view of the closure of FIGS. 1-4.

**1 Claim, 1 Drawing Sheet**



# US D516,425 S

Page 2

---

## U.S. PATENT DOCUMENTS

D413,064 S	8/1999	Bansal		6,510,971 B1	1/2003	Martin
D424,448 S	* 5/2000	Weber	..... D9/529	D471,456 S	3/2003	Young et al.
6,311,878 B1	* 11/2001	Kimble et al.	..... 222/556	D475,923 S	6/2003	Renz
D455,077 S	4/2002	Gaiser et al.		D476,892 S	7/2003	Martin et al.
D459,228 S	6/2002	Hierzer		D480,003 S	9/2003	Blades
D468,639 S	1/2003	Wennerstrom et al.				

\* cited by examiner

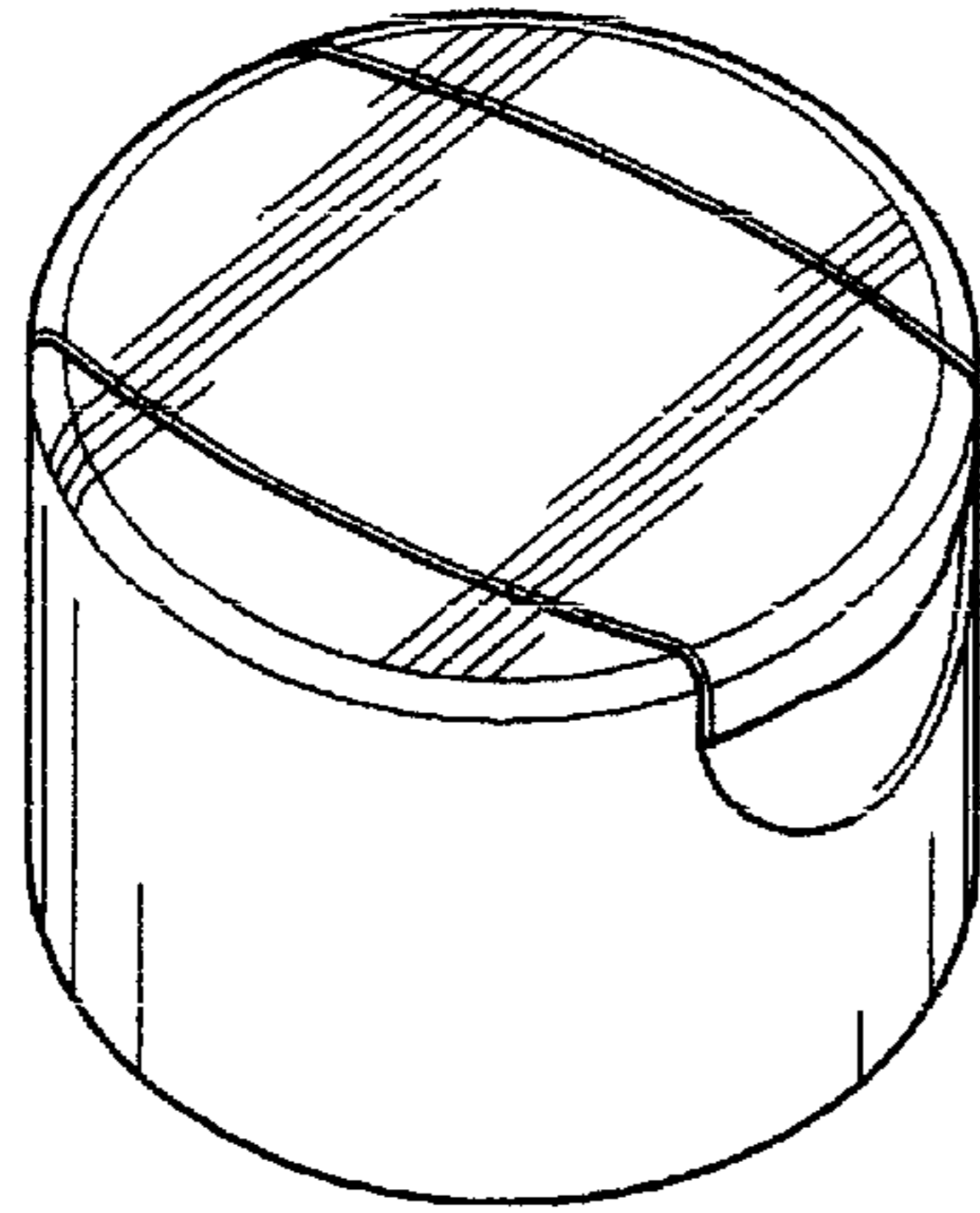


Figure 1

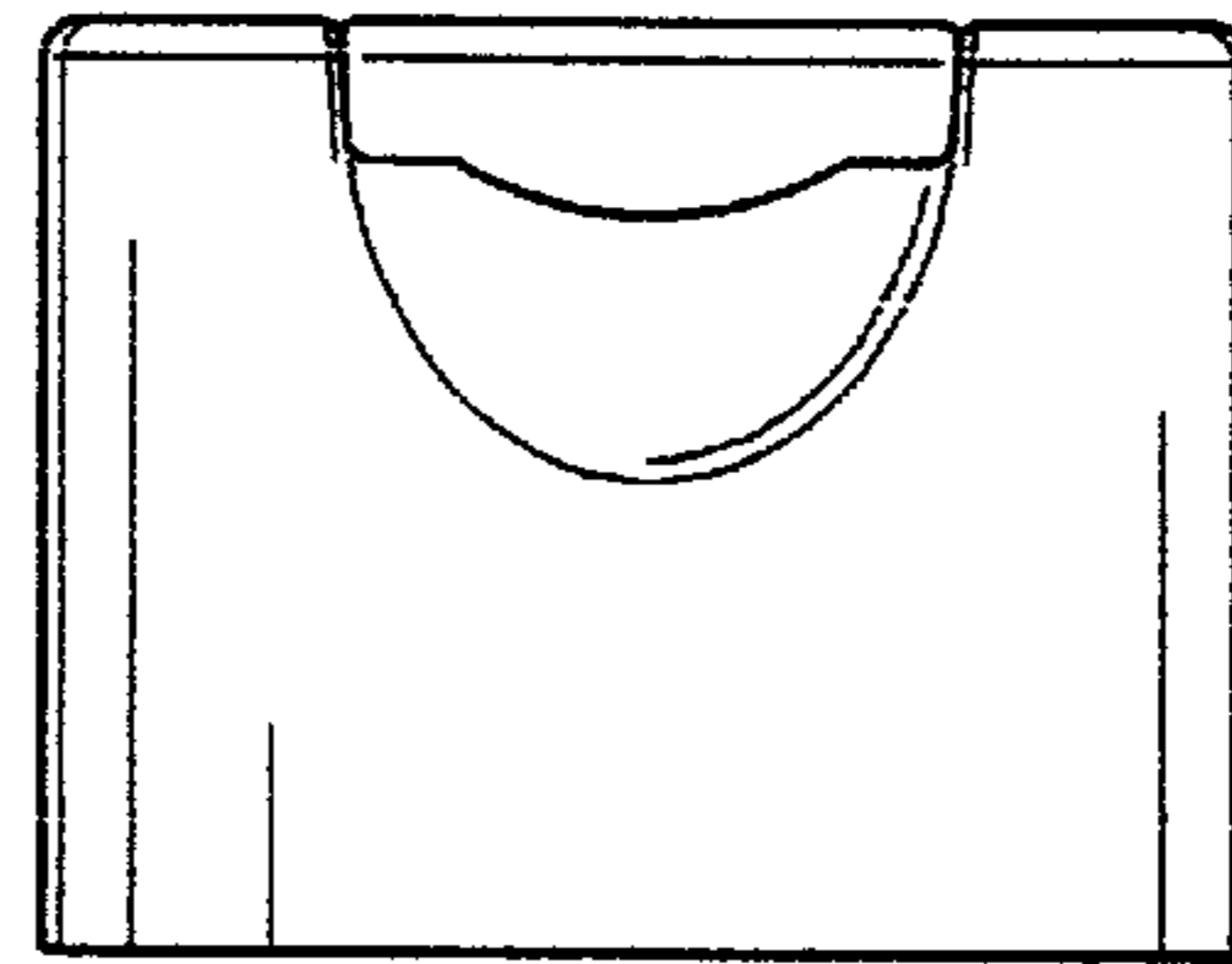


Figure 2

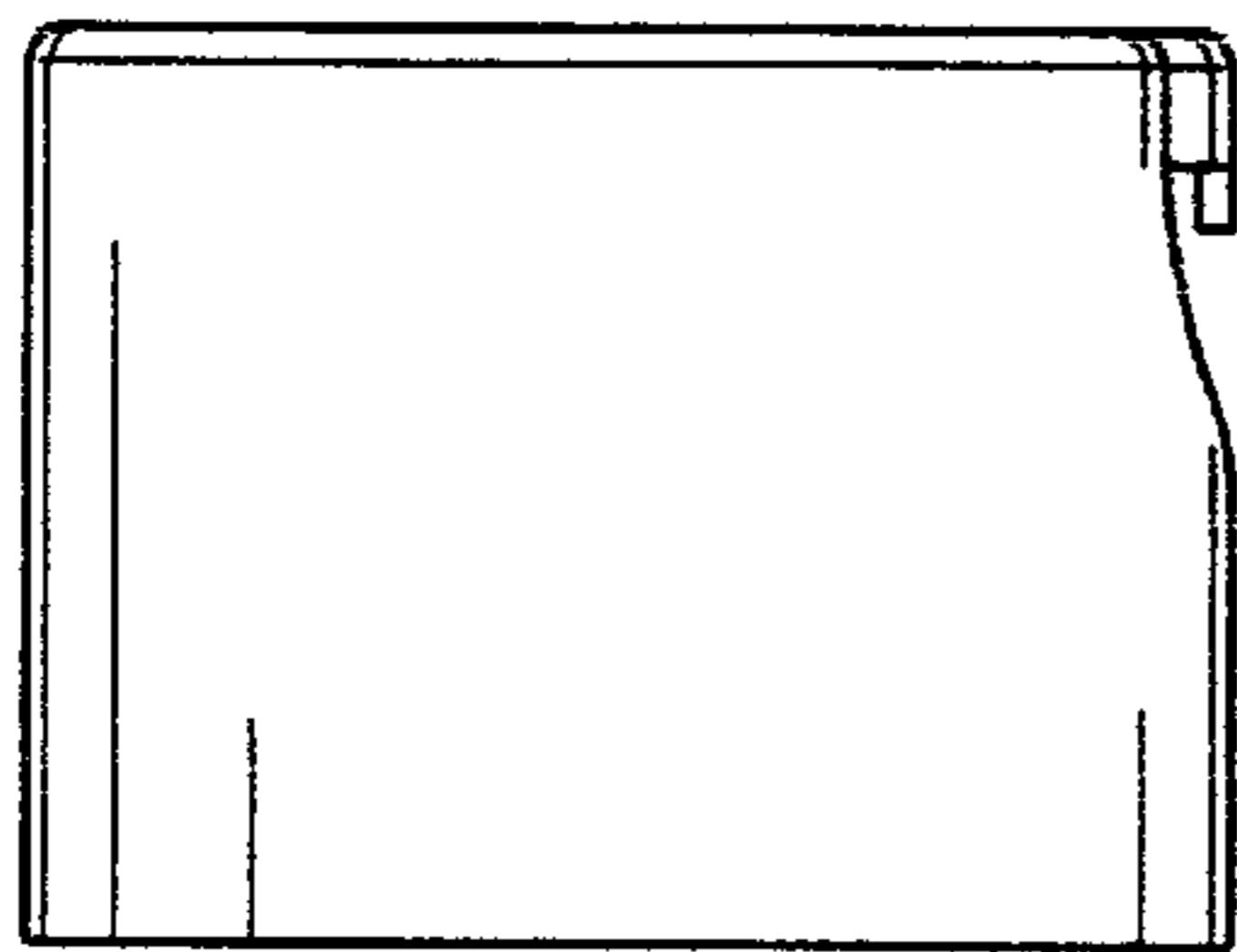


Figure 3

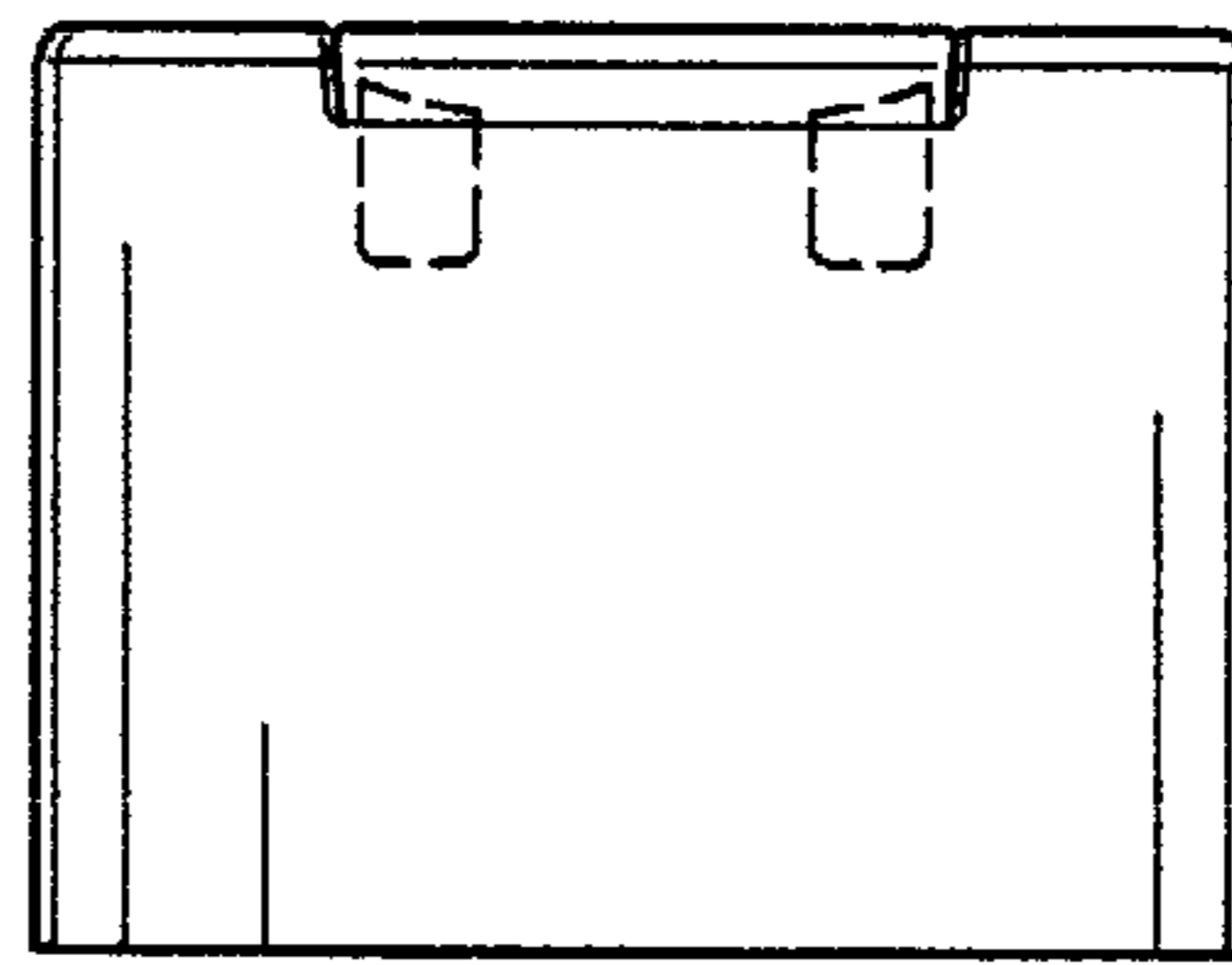


Figure 4

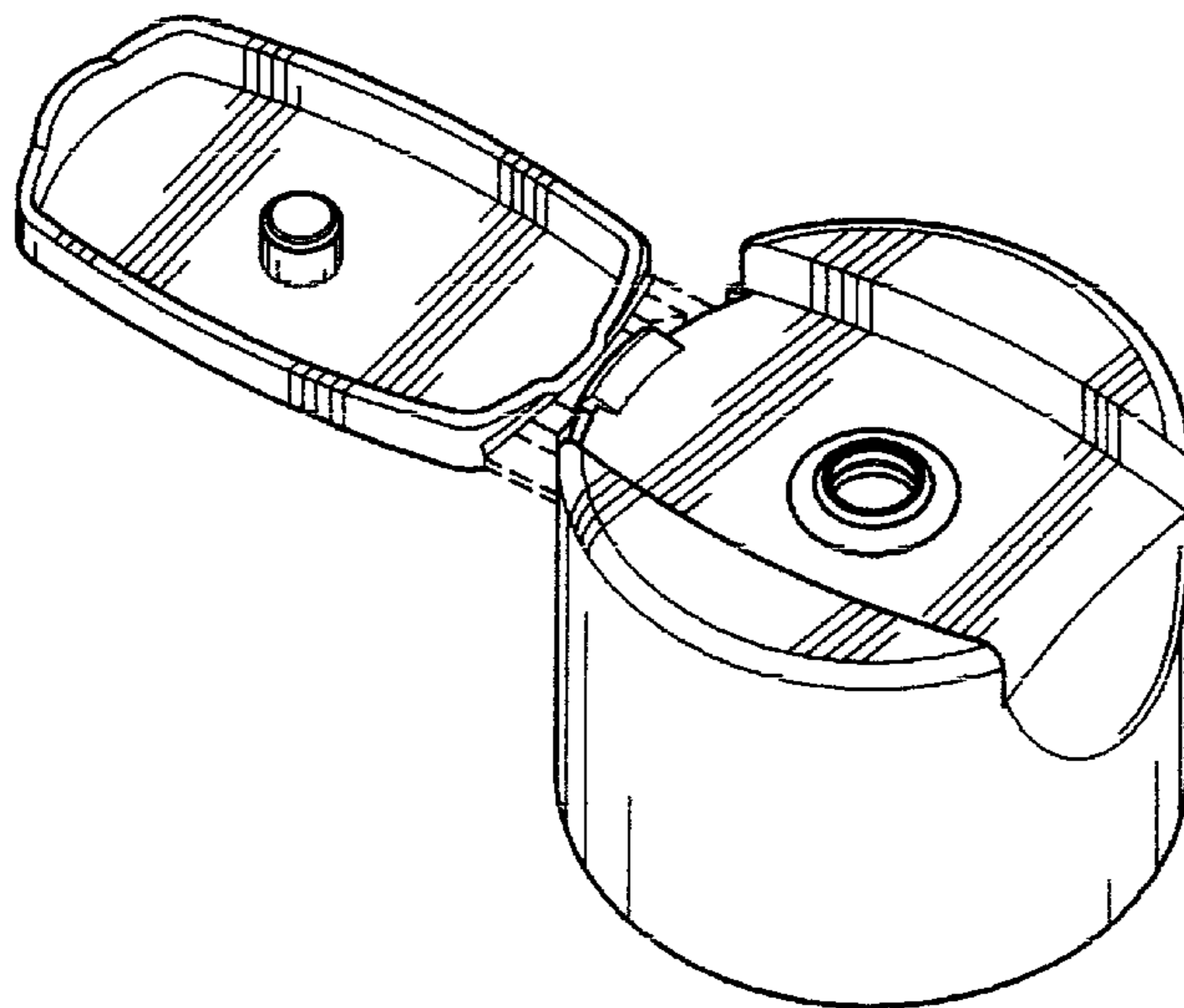


Figure 5

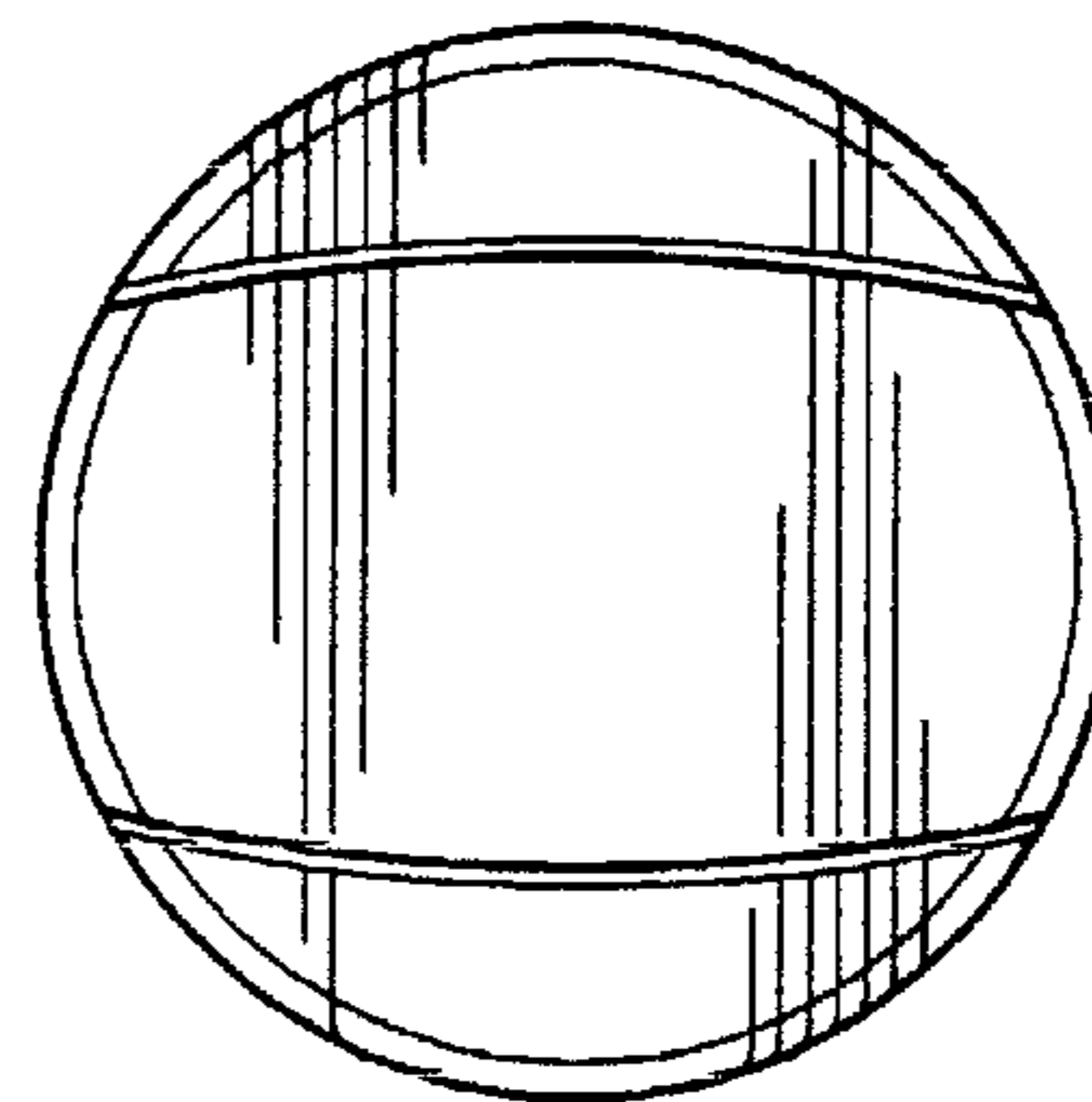


Figure 6