

US00D516424S

(12) **United States Design Patent**
Schweigert et al.

(10) **Patent No.: US D516,424 S**
(45) **Date of Patent: ** Mar. 7, 2006**

(54) **DISPOSABLE BEVERAGE CUP LID**
(75) Inventors: **Heidi B. Schweigert**, Seattle, WA (US);
Jonathan C. Cannell, North Bend, WA
(US); **Carol A. Baker**, Seattle, WA
(US)
(73) Assignee: **Starbucks Corporation**, Seattle, WA
(US)
(**) Term: **14 Years**

5,509,568 A 4/1996 Warden et al.
D379,928 S 6/1997 Freek et al.
D402,556 S 12/1998 Frye
D417,845 S 12/1999 Sadlier et al.
5,996,837 A * 12/1999 Freek et al. 220/713
D437,223 S * 2/2001 Coy et al. D9/447
D476,566 S * 7/2003 Smith et al. D9/447
D476,891 S 7/2003 Clarke et al.
D480,968 S * 10/2003 Atkins et al. D9/449
6,824,003 B1 * 11/2004 Wong 220/719
2005/0173443 A1 * 8/2005 Crudgington 220/713

* cited by examiner

(21) Appl. No.: **29/218,226**
(22) Filed: **Nov. 30, 2004**

Primary Examiner—Robert M. Spear
Assistant Examiner—Susan Bennett Hattan
(74) *Attorney, Agent, or Firm*—Christensen O'Connor
Johnson Kindness PLLC

(51) **LOC (8) Cl.** **09-07**
(52) **U.S. Cl.** **D9/447**
(58) **Field of Classification Search** D9/454,
D9/449, 447, 445, 439, 438, 435, 452, 453,
D9/450; D7/638, 511, 510, 392, 392.1; D3/323;
220/270–271, 709, 718, 781, 575, 715, 719;
215/254

See application file for complete search history.

(57) **CLAIM**

The ornamental design for a disposable beverage cup lid, as shown and described.

DESCRIPTION

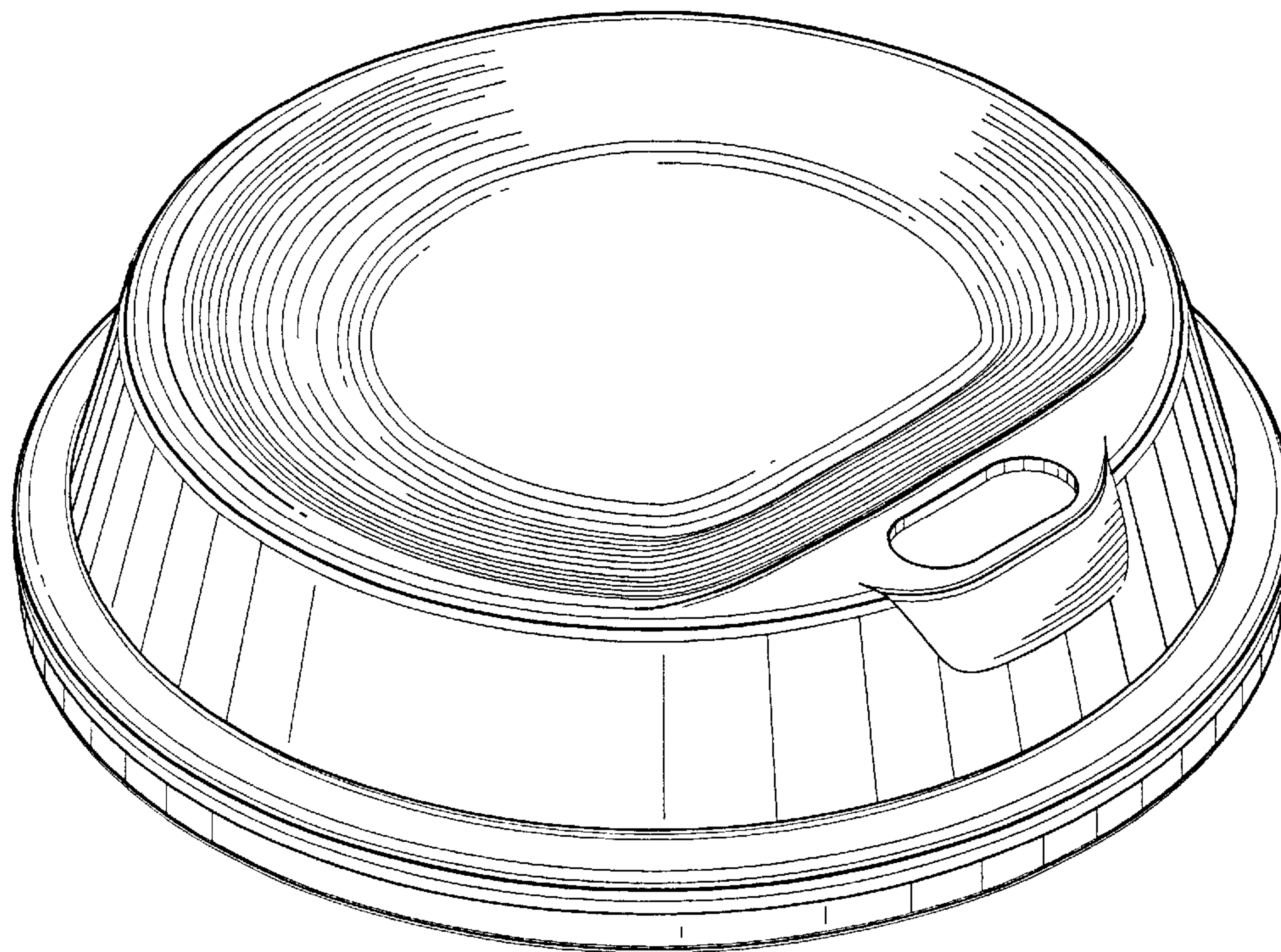
FIG. 1 is a perspective view of the disposable beverage cup lid of our design;
FIG. 2 is a top view thereof;
FIG. 3 is a bottom view thereof; and
FIG. 4 is a front view thereof;
FIG. 5 is a left side view thereof;
FIG. 6 is a back view thereof; and,
FIG. 7 is a right side view thereof.

(56) **References Cited**

U.S. PATENT DOCUMENTS

D212,843 S * 12/1968 Hart et al. D9/452
4,589,569 A 5/1986 Clements
4,615,459 A 10/1986 Clements
D287,919 S 1/1987 Clements
D299,010 S * 12/1988 Wall D9/454
5,139,163 A * 8/1992 Diaz D9/438
5,398,843 A 3/1995 Warden et al.

1 Claim, 3 Drawing Sheets



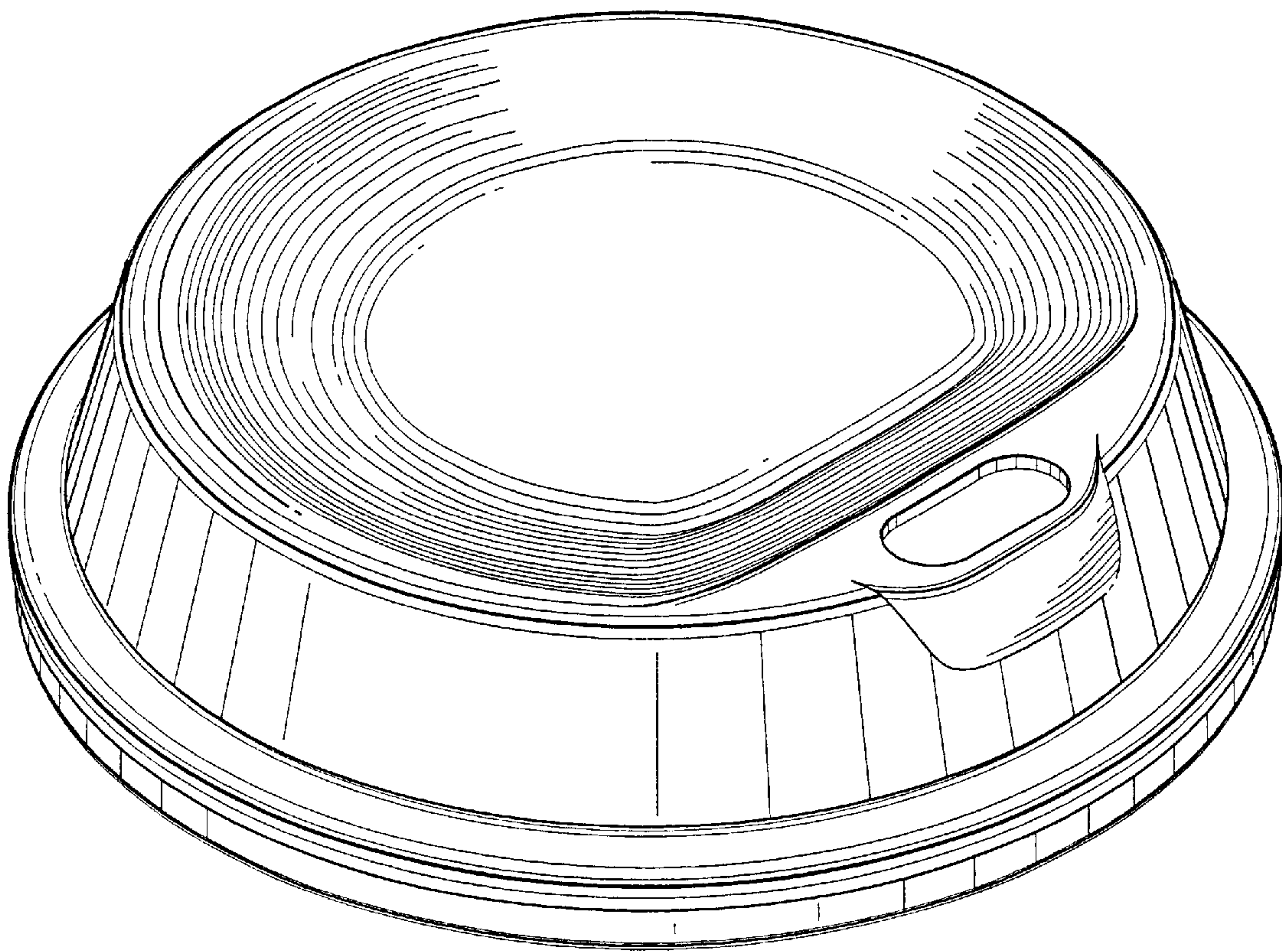


Fig. 1.

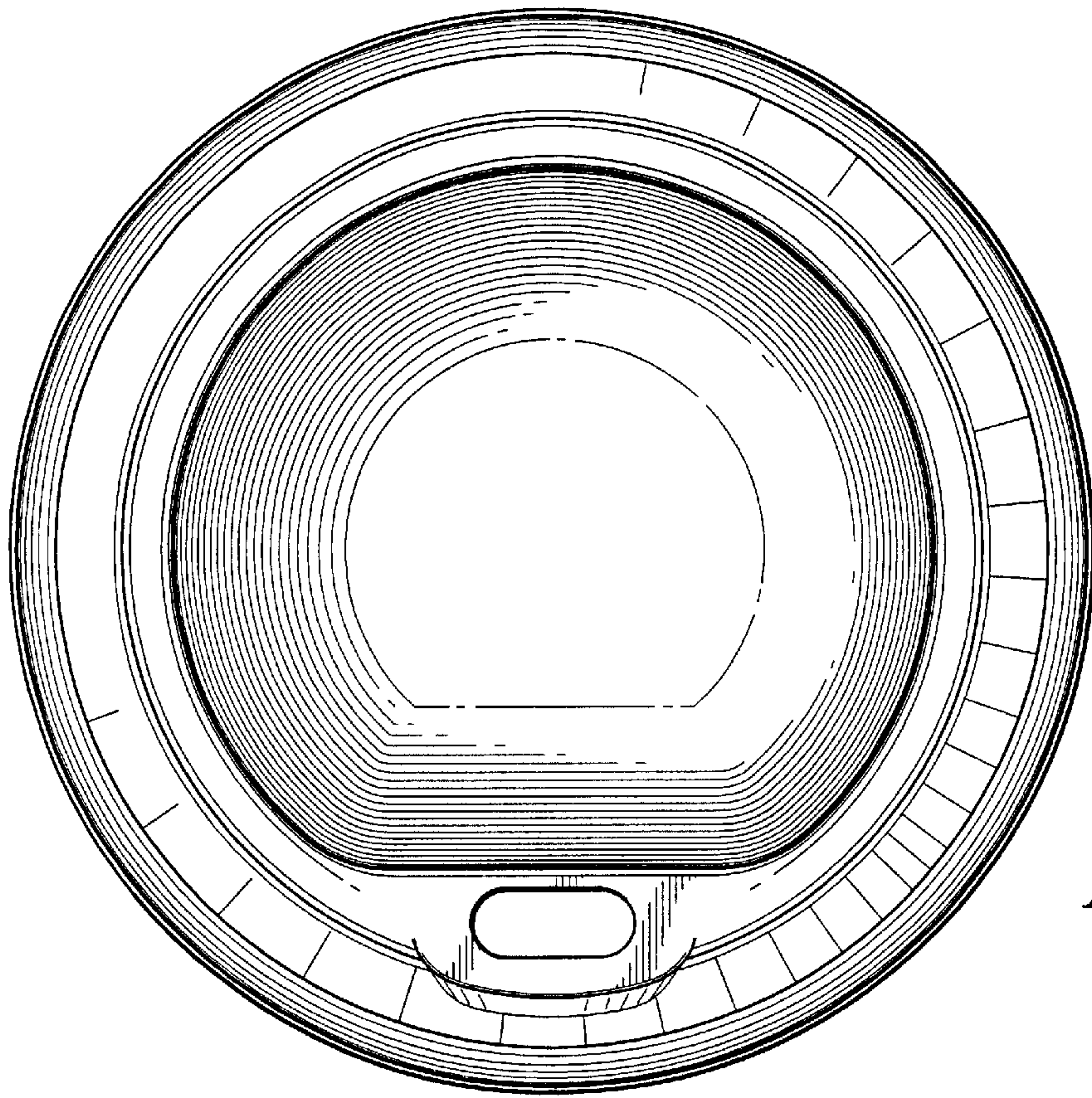


Fig. 2.

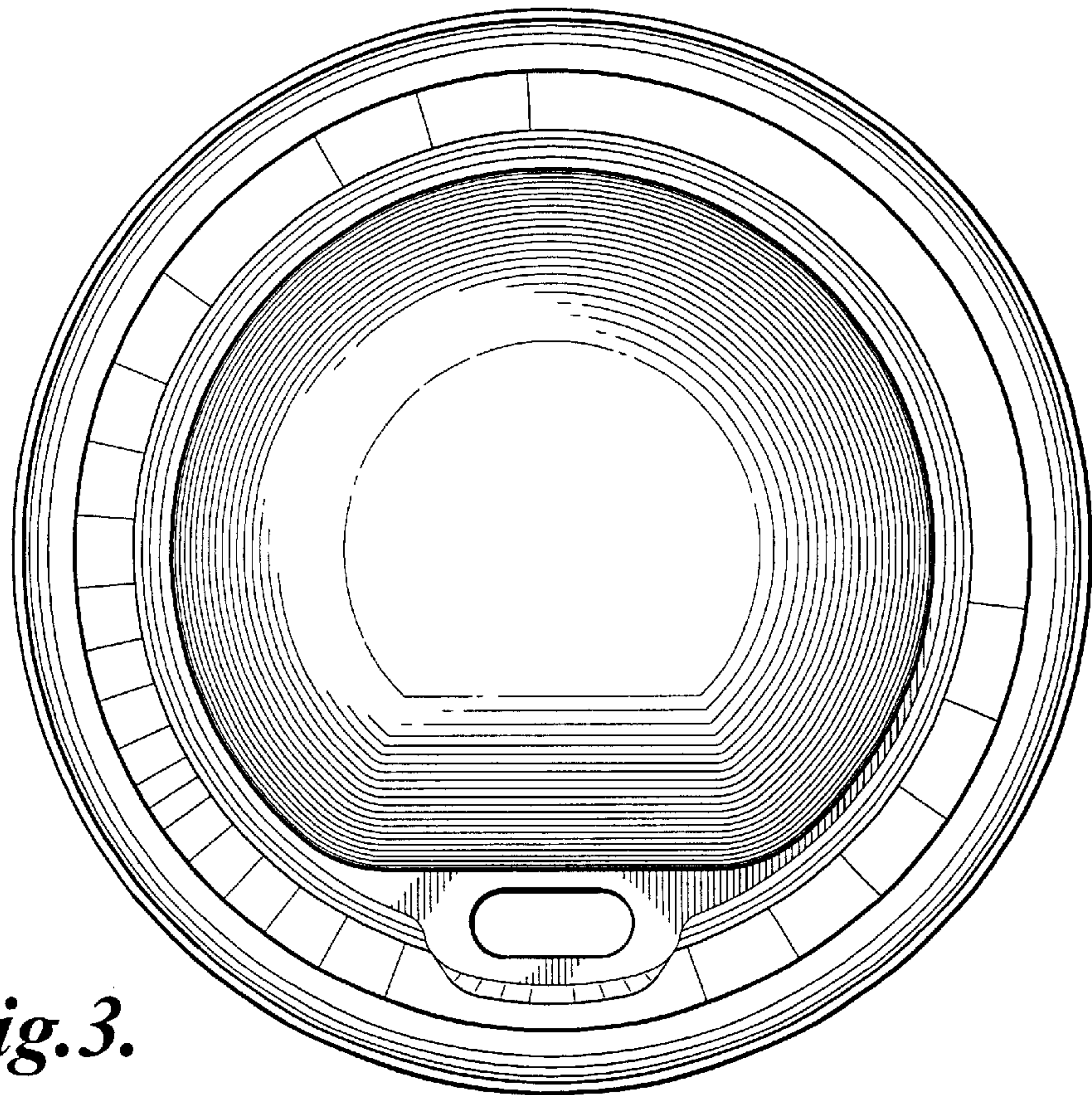


Fig. 3.

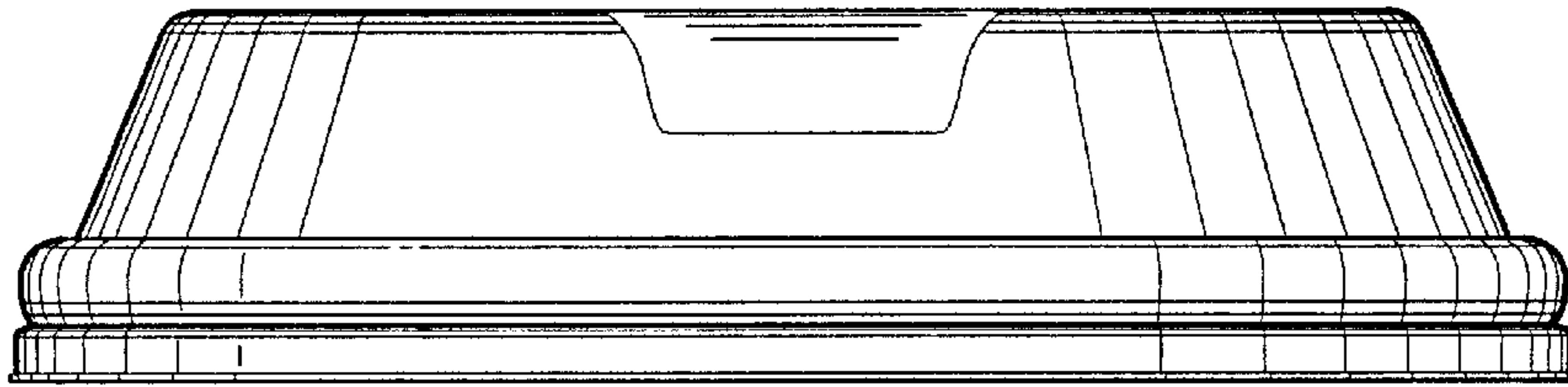


Fig. 4.

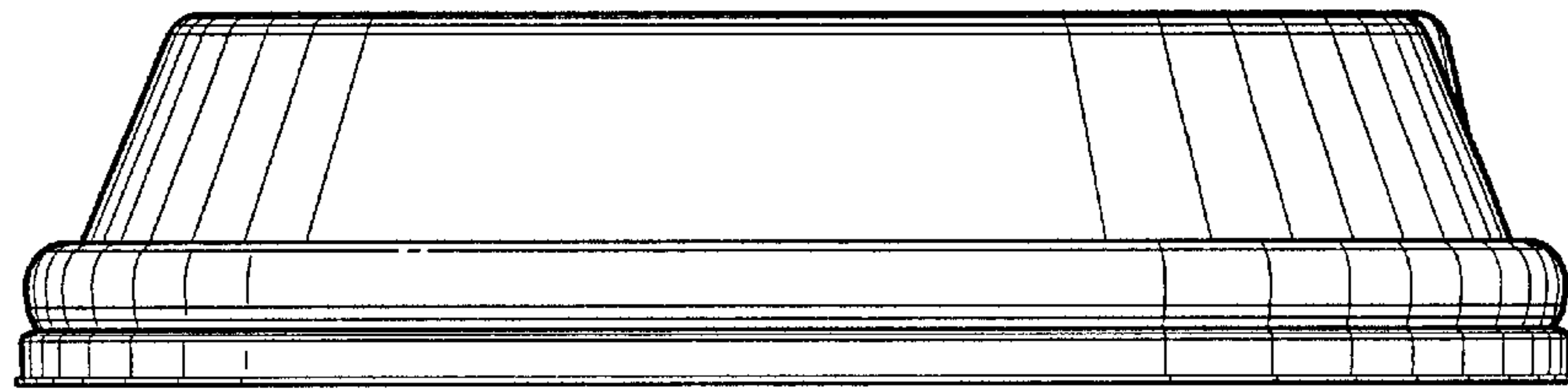


Fig. 5.

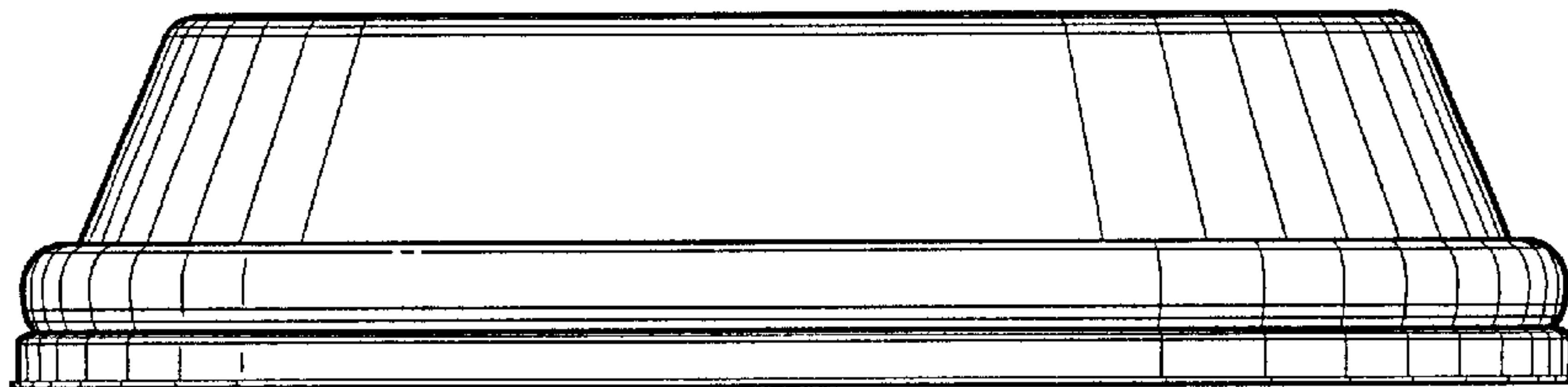


Fig. 6.

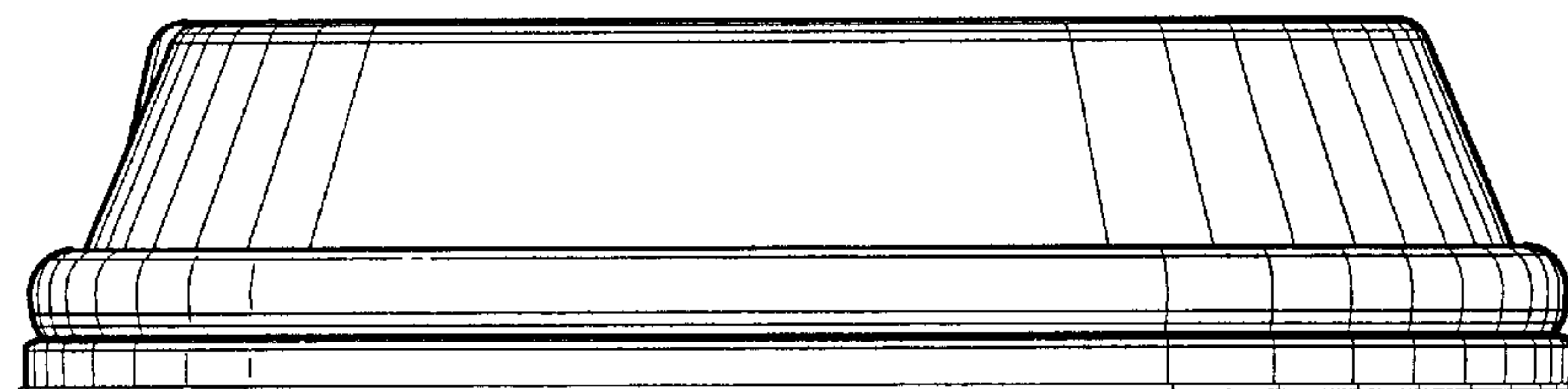


Fig. 7.