



US00D516421S

(12) **United States Design Patent** (10) **Patent No.:** **US D516,421 S**  
**Gironi et al.** (45) **Date of Patent:** **\*\* Mar. 7, 2006**

(54) **CARTON WITH HANDLE**  
 (75) Inventors: **Mark V. Gironi**, Havertown, PA (US);  
**Linda A. Carr**, Mount Laurel, NJ (US)  
 (73) Assignee: **Mattel, Inc.**, El Segundo, CA (US)  
 (\*\*) Term: **14 Years**

5,497,876 A 3/1996 Fleming  
 5,626,286 A 5/1997 Petkovsek  
 5,927,495 A 7/1999 Didiano, Jr.  
 5,961,149 A 10/1999 Hunt  
 D420,909 S \* 2/2000 Tadayon ..... D9/431  
 6,065,590 A \* 5/2000 Spivey ..... 206/141  
 6,070,719 A 6/2000 Pollock  
 6,206,750 B1 3/2001 Barad et al.  
 D462,903 S \* 9/2002 Yuen ..... D9/432  
 D494,061 S \* 8/2004 Brown ..... D9/418

(21) Appl. No.: **29/206,550**  
 (22) Filed: **Jun. 1, 2004**

(51) **LOC (8) Cl.** ..... **09-03**  
 (52) **U.S. Cl.** ..... **D9/431**  
 (58) **Field of Classification Search** ..... D9/414,  
 D9/415, 418, 419, 420, 422, 430-433; 206/141,  
 206/769, 770, 763, 775, 776, 782, 223, 579,  
 206/457; 229/116.1, 910, 117.09, 117.15,  
 229/117.13, 117.23, 117.24, 162.1, 911, 162.6  
 See application file for complete search history.

\* cited by examiner

*Primary Examiner*—Stella Reid  
*Assistant Examiner*—Mark A. Goodwin  
 (74) *Attorney, Agent, or Firm*—Akin Gump Strauss Hauer  
 & Feld, LLP

(56) **References Cited**

**U.S. PATENT DOCUMENTS**

D25,437 S \* 4/1896 Hurd ..... D9/414  
 D30,428 S \* 3/1899 Hamburger ..... D9/431  
 1,903,540 A 4/1933 Webster  
 2,799,391 A 7/1957 Eisner  
 3,241,738 A 3/1966 Freiman  
 3,294,233 A 12/1966 Hollinger  
 3,811,565 A 5/1974 Tancredi  
 4,152,865 A 5/1979 Ikeda  
 4,203,516 A 5/1980 Stonoga et al.  
 D265,723 S \* 8/1982 Rosenthal ..... D9/753  
 4,365,438 A 12/1982 Nelson  
 4,905,828 A 3/1990 Dods  
 5,038,930 A 8/1991 Holtkamp, Jr.  
 5,232,087 A 8/1993 Schluger  
 5,293,994 A 3/1994 Antik  
 5,358,176 A 10/1994 Rigby  
 5,370,223 A 12/1994 Leicht, Jr.  
 5,487,826 A 1/1996 Back et al.

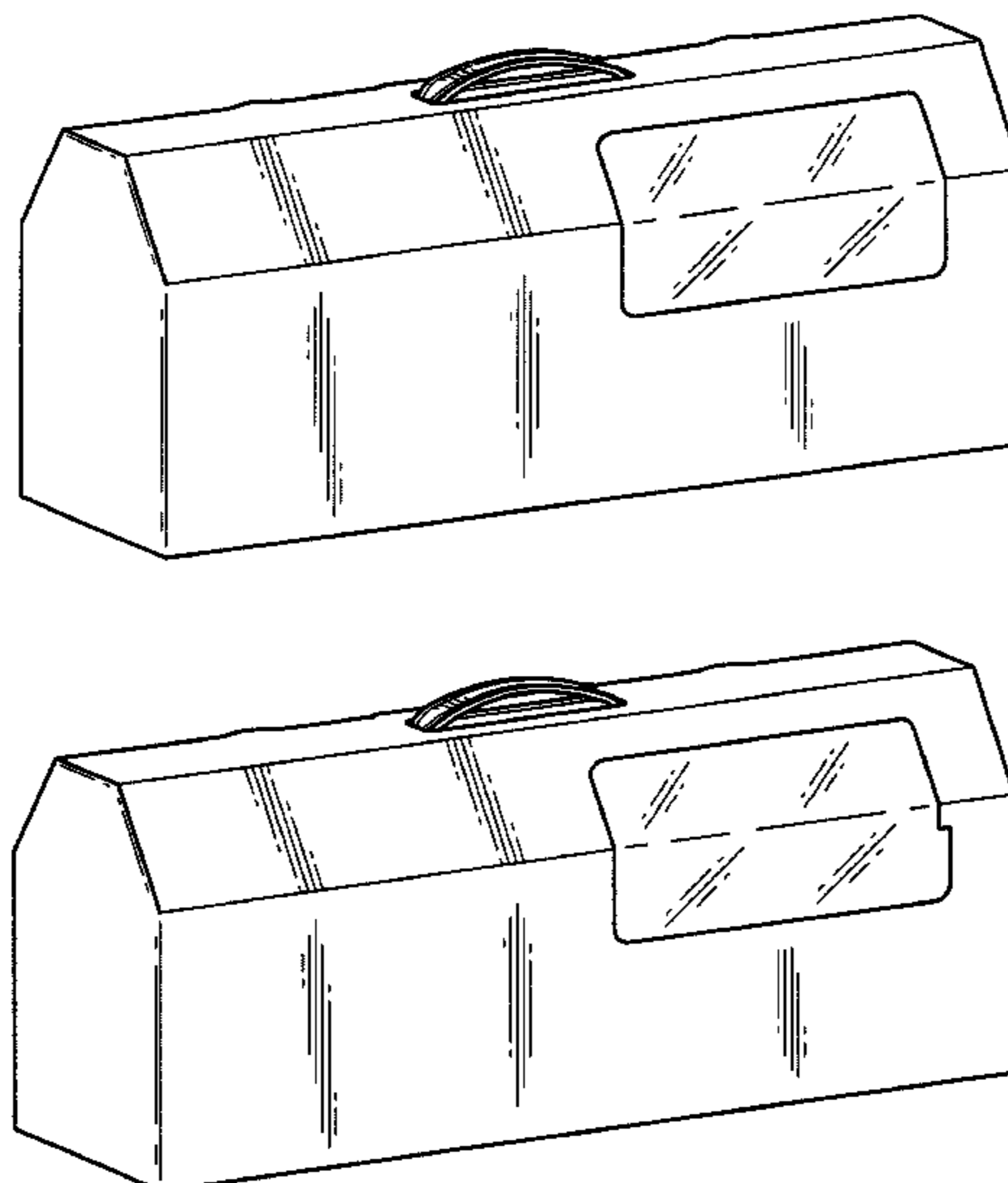
(57) **CLAIM**

The ornamental design for a carton with handle, as shown and described.

**DESCRIPTION**

FIG. 1 is a side perspective view of a carton with handle showing our new design;  
 FIG. 2 is a front view thereof;  
 FIG. 3 is right side view thereof;  
 FIG. 4 is a rear view thereof;  
 FIG. 5 is a left side view thereof;  
 FIG. 6 is a top plan view thereof;  
 FIG. 7 is a bottom plan view thereof;  
 FIG. 8 is a side perspective view of a second embodiment for a carton with handle showing our new design;  
 FIG. 9 is a front view thereof; and,  
 FIG. 10 is a bottom plan view thereof, the remaining views of the carton with handle of FIGS. 8-10 being identical to FIGS. 3-6.  
 The broken line showing is for illustrative purposes only and forms no part of the claimed design.

**1 Claim, 5 Drawing Sheets**



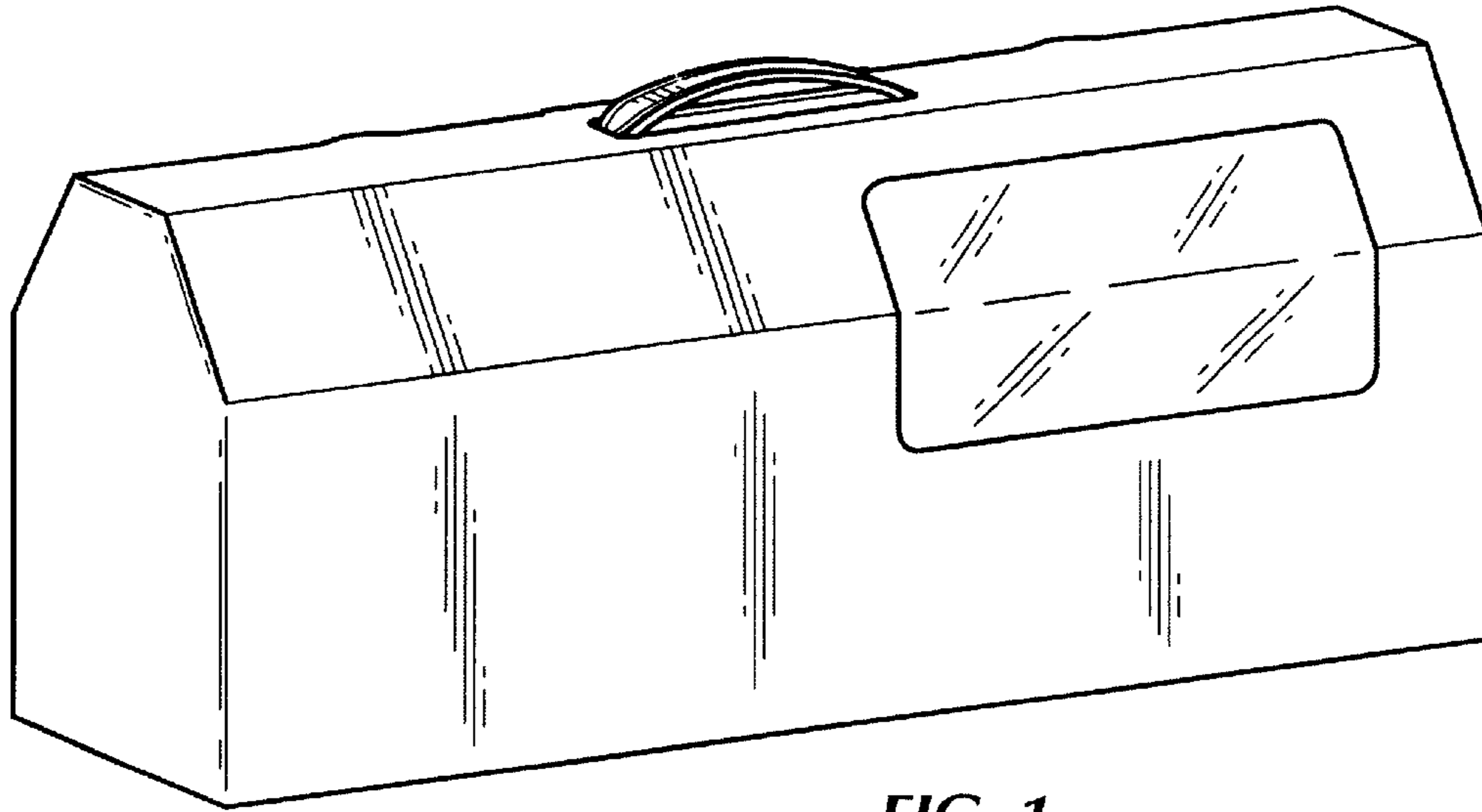


FIG. 1

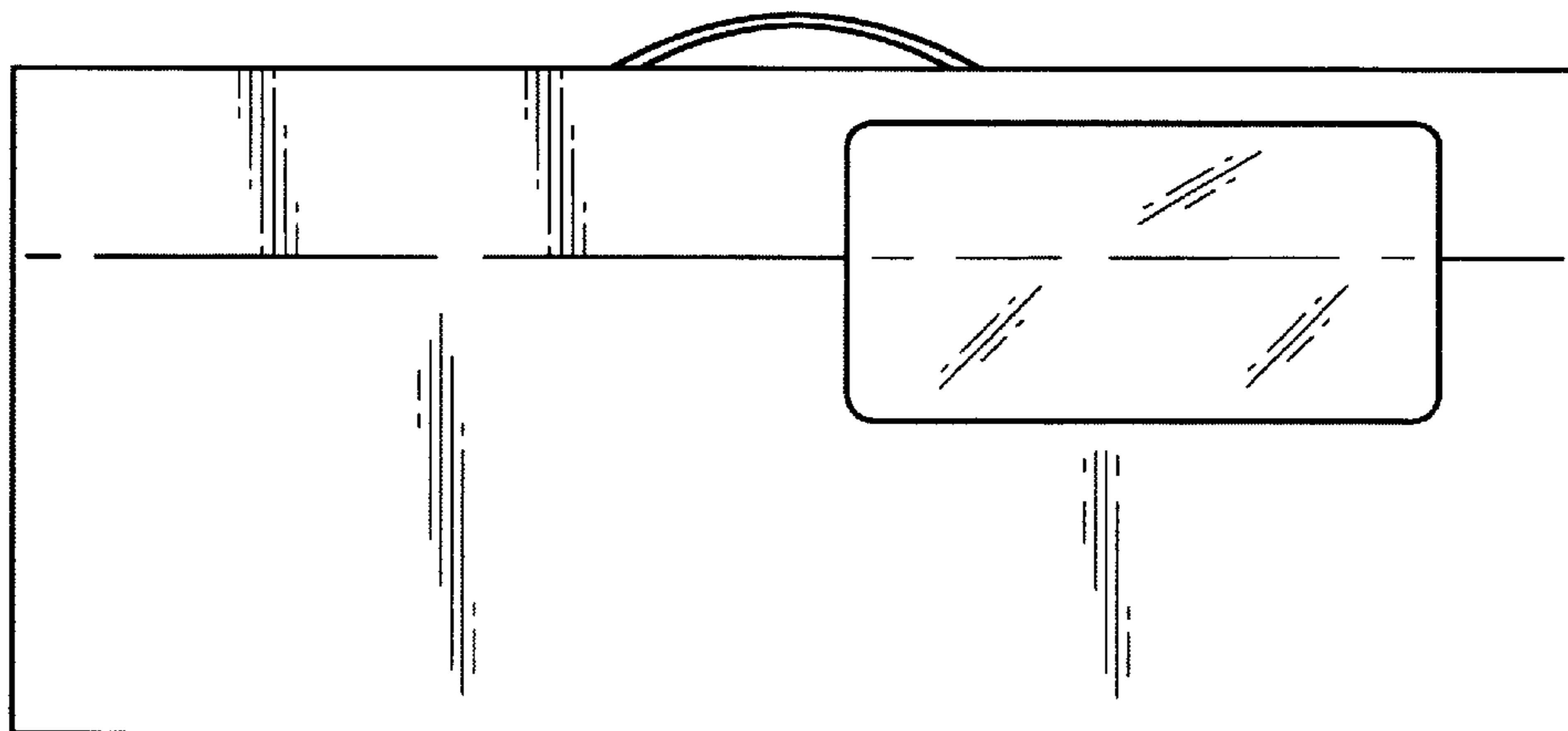
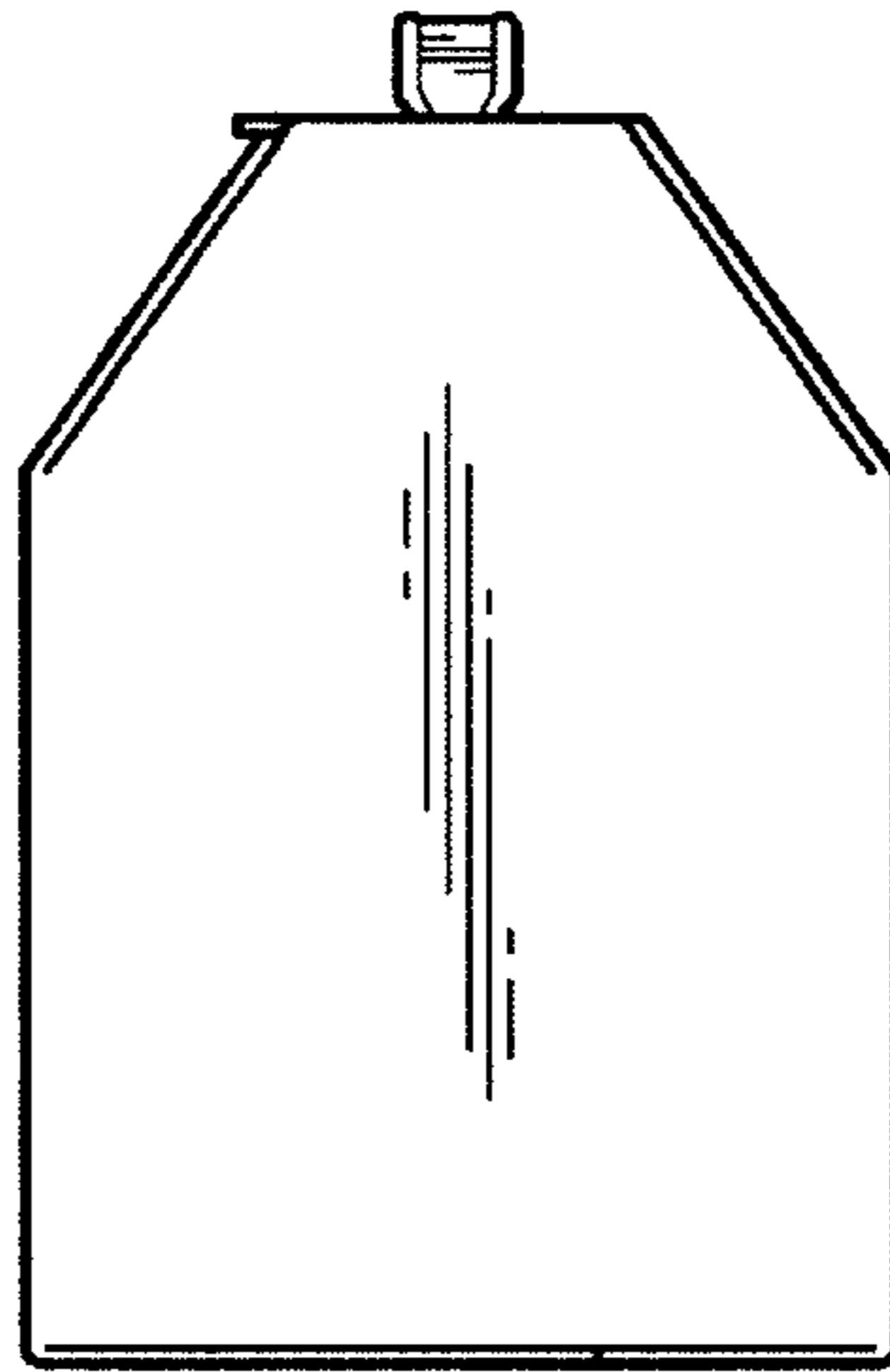
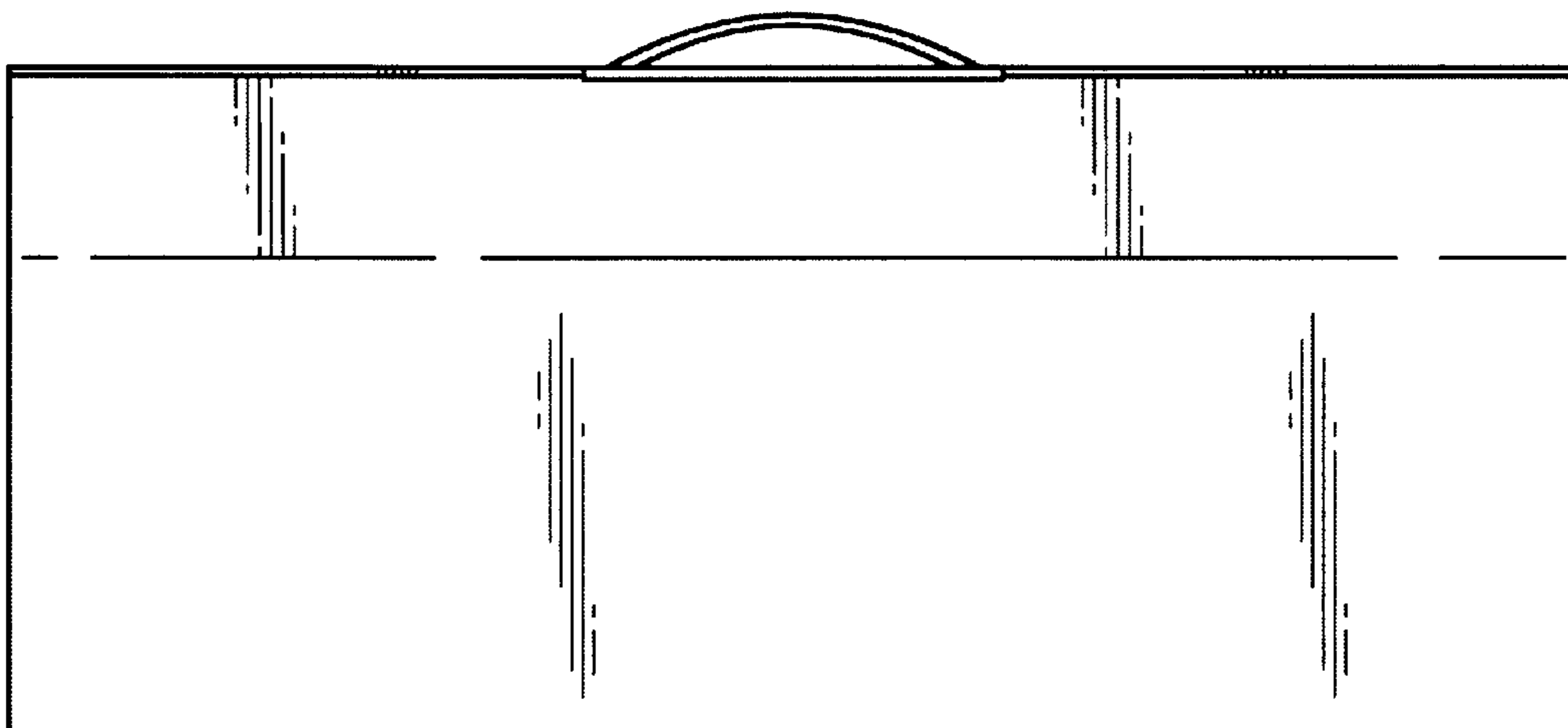


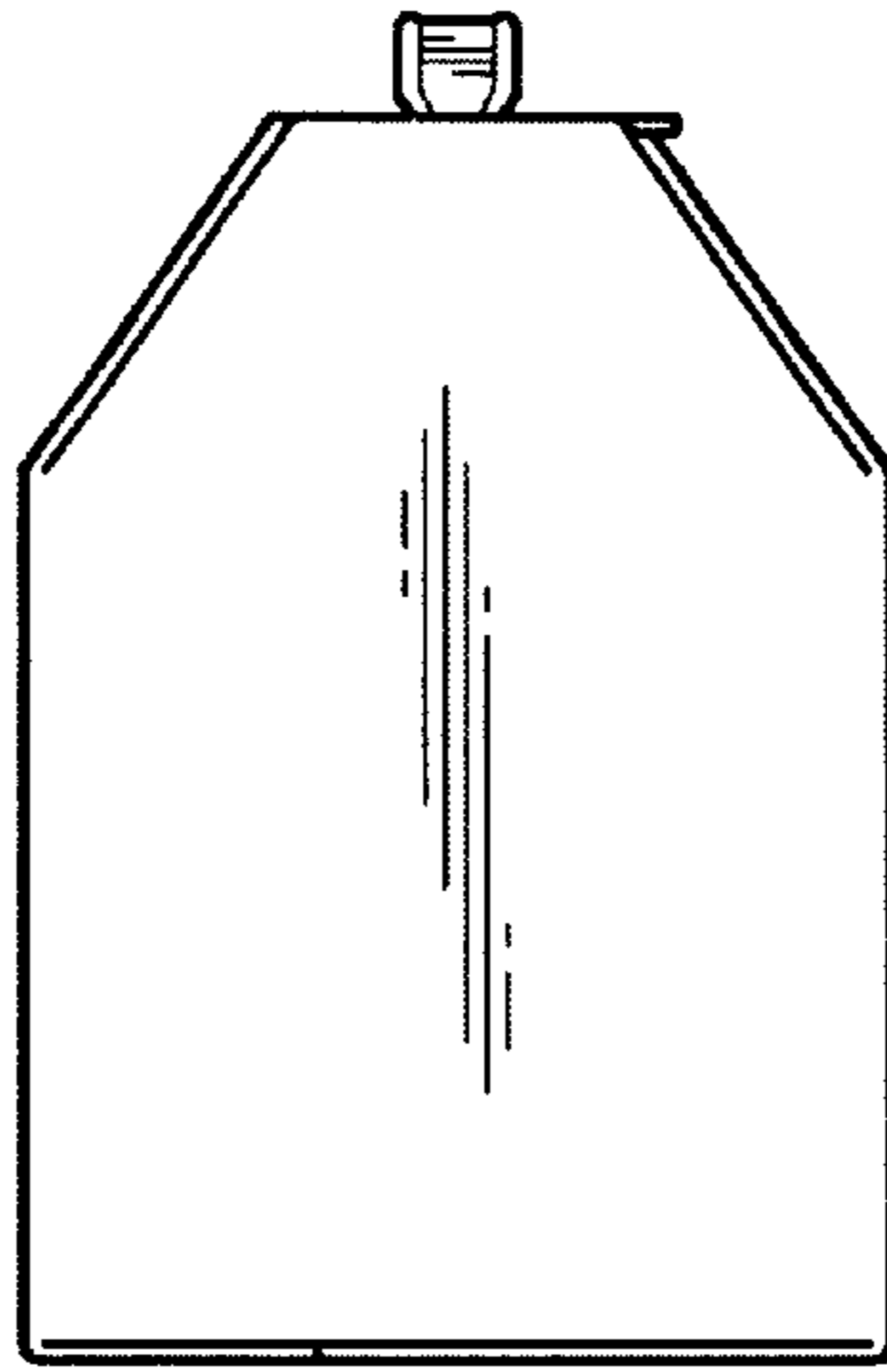
FIG. 2



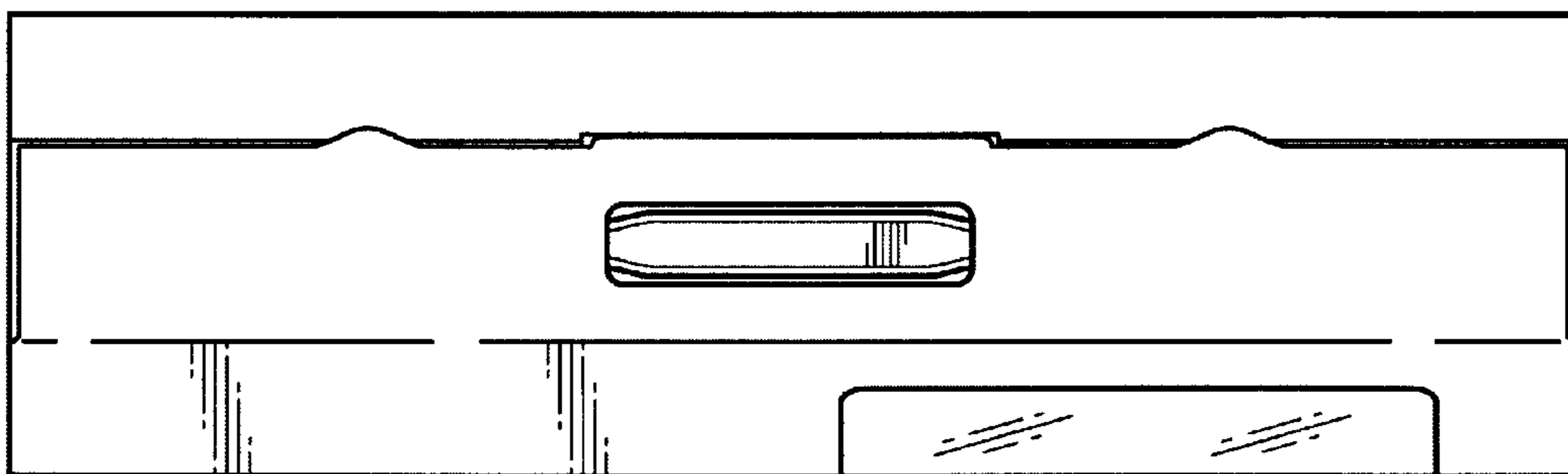
*FIG. 3*



*FIG. 4*



**FIG. 5**



**FIG. 6**

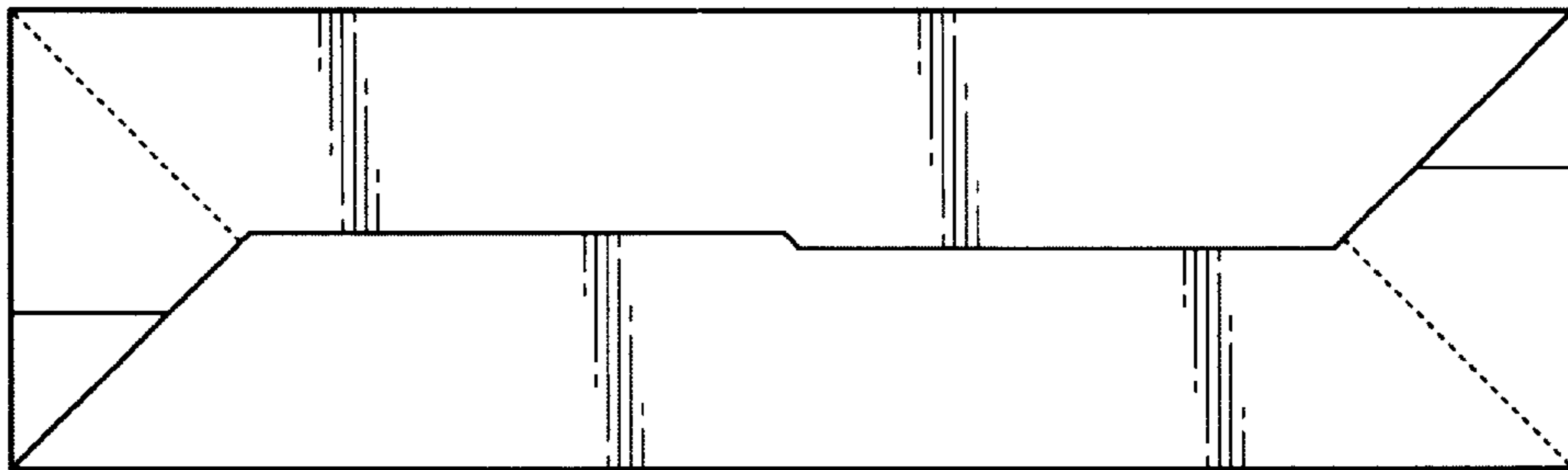


FIG. 7

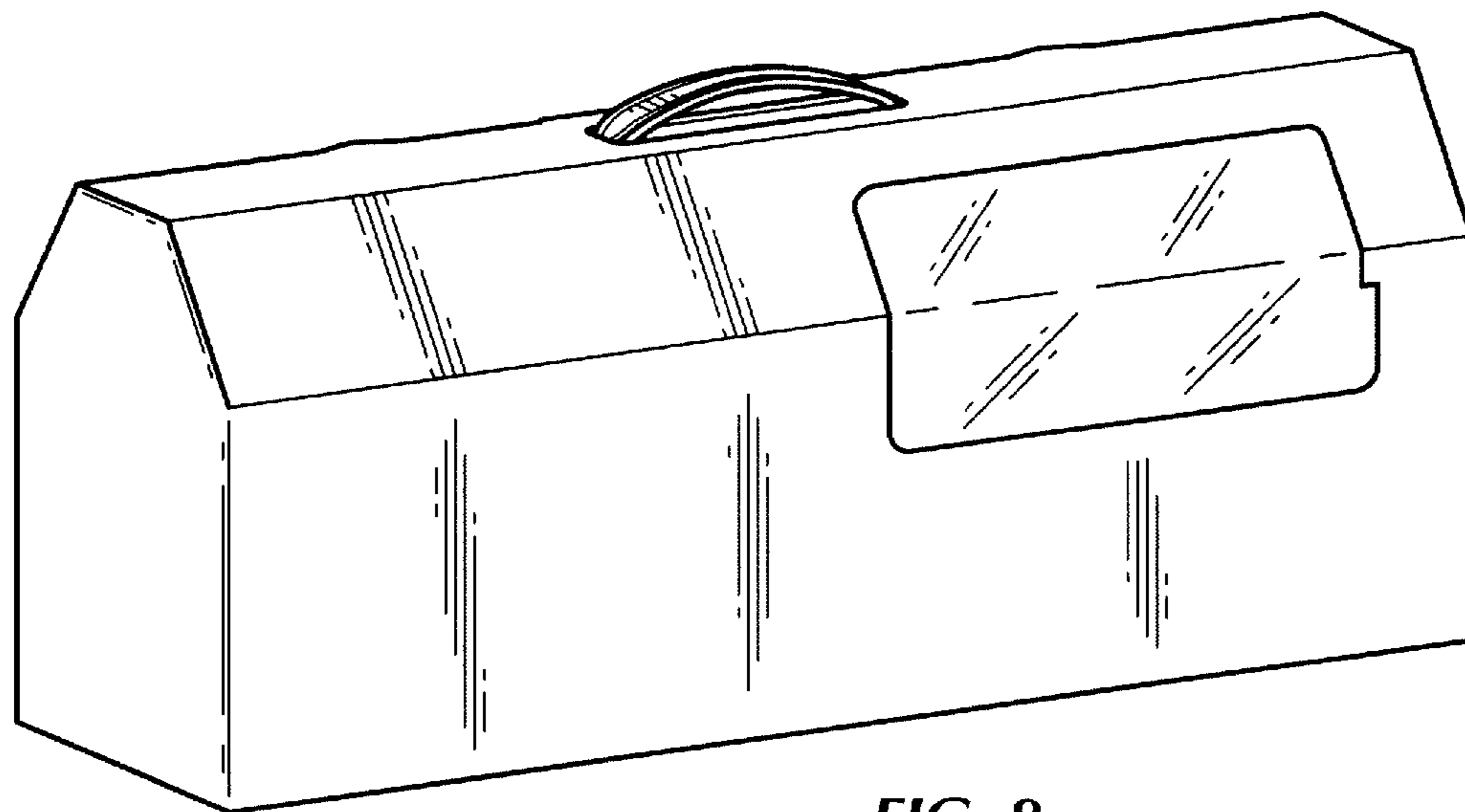
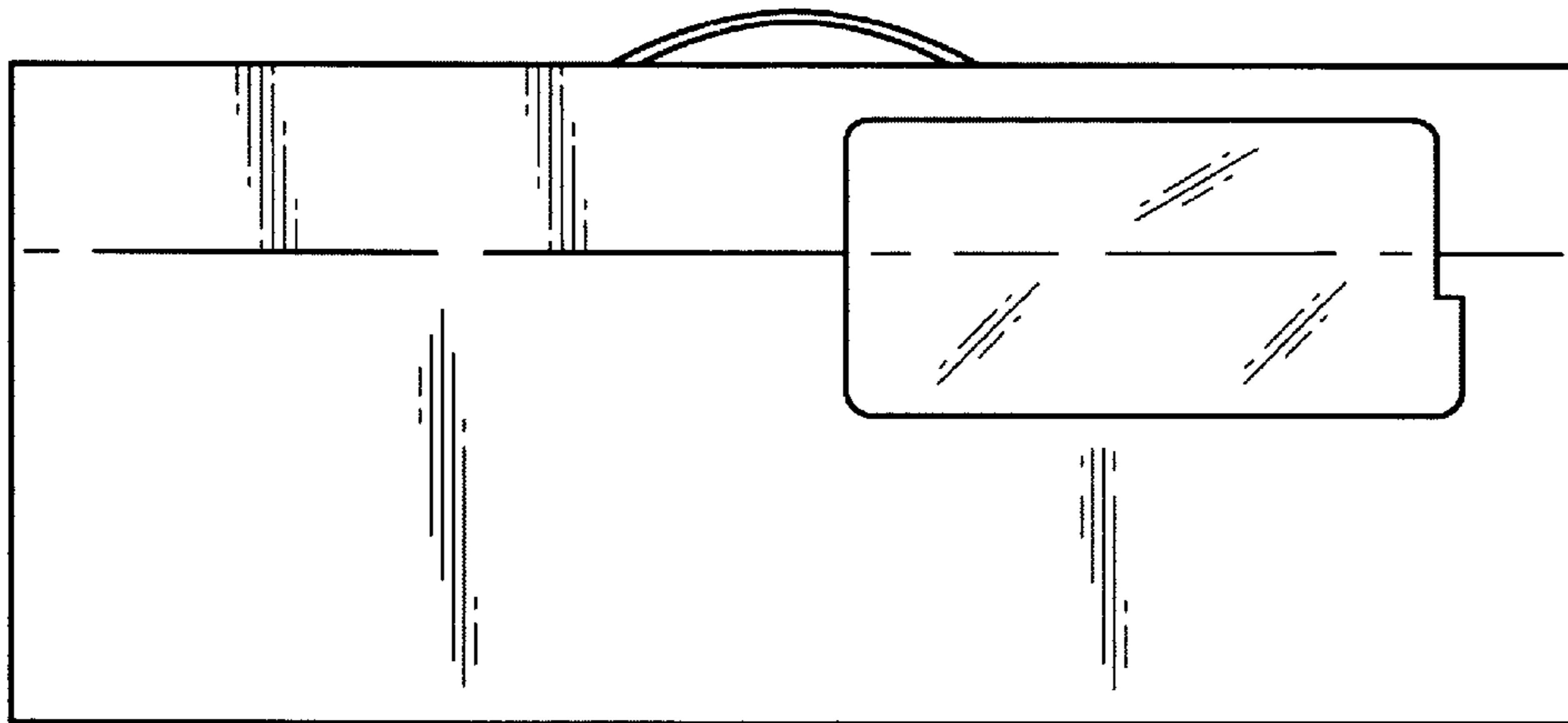
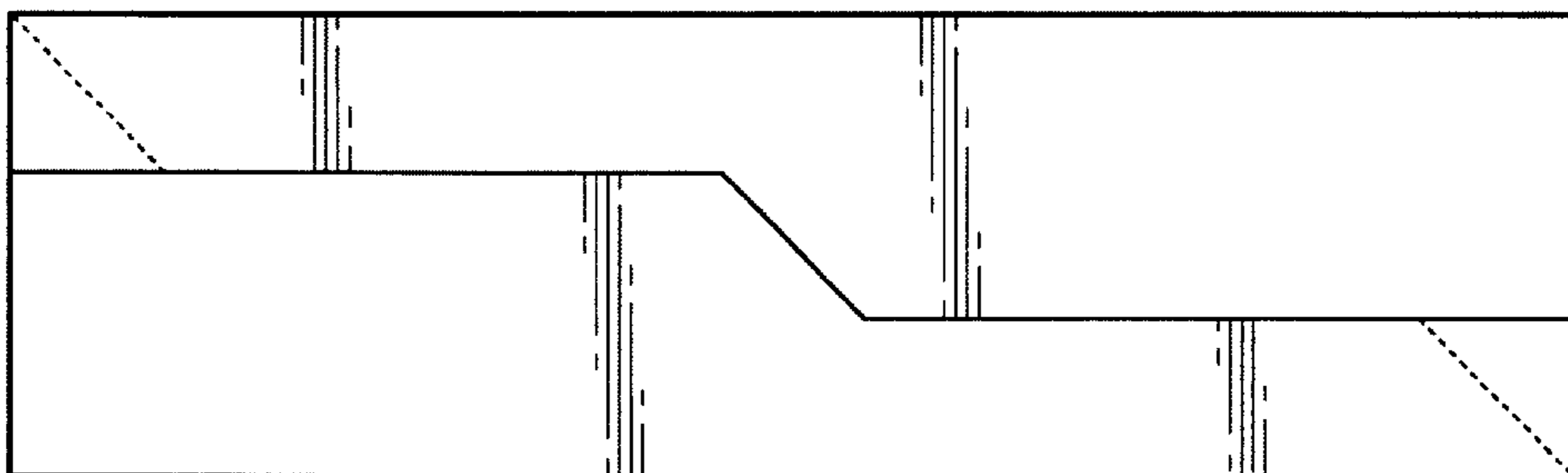


FIG. 8



**FIG. 9**



**FIG. 10**