



US00D516417S

(12) **United States Design Patent** (10) **Patent No.:** **US D516,417 S**
Gimpel et al. (45) **Date of Patent:** **** Mar. 7, 2006**

(54) **TUBULAR FRAMEWORK CONNECTION COLLAR**

FOREIGN PATENT DOCUMENTS

(75) Inventors: **Dixon S. Gimpel**, Credit River, MN (US); **Curtis H. Lindblom**, Oakdale, MN (US)

| | | |
|----|----------------|---------|
| CA | 1048970 | 2/1979 |
| DE | 9017415.1 | 12/1990 |
| DE | 296 19 015 U 1 | 2/1997 |
| DE | 298 21 204 U 1 | 4/1999 |
| DE | 203 09 076 U 1 | 9/2003 |
| EP | 1 164 230 A1 | 12/2001 |
| WO | WO 89/06724 | 7/1989 |

(73) Assignee: **Skyline Displays, Inc.**, Eagan, MN (US)

(**) Term: **14 Years**

OTHER PUBLICATIONS

(21) Appl. No.: **29/192,073**

(22) Filed: **Oct. 17, 2003**

- Skyline Displays, Inc., *ps2000 brochure*, 2001.
- Skyline Displays, Inc., *imagine that. brochure*, 2000.
- Skyline Displays, Inc., *design ideas brochure*, 2000.
- Skyline Displays, Inc., *How Do You Market Your e-Business Offline? brochure*, 2001.
- Skyline Displays, Inc., *mirage plus brochure*, 2001.
- Skyline Displays, Inc., *skytruss brochure*, 2001.
- Trussworks, Truss Catalog web page printout, *Truss Parts*, Aug. 17, 2001.
- Trussworks, Truss Catalog web page printout, *Trussworks Photos, Graphics Frame*, p. 1, Aug. 17, 2001.
- Trussworks, Truss Catalog web page printout, *Trussworks Photos, Graphics Frame*, p. 2, Aug. 17, 2001.

Related U.S. Application Data

(63) Continuation of application No. 10/601,843, filed on Jun. 23, 2003.

(51) **LOC (8) Cl.** **08-08**

(52) **U.S. Cl.** **D8/396**

(58) **Field of Classification Search** D8/354-356, D8/371, 394-396; 24/16 R; 248/49, 62, 74.1-74.4
See application file for complete search history.

(Continued)

(56) **References Cited**

U.S. PATENT DOCUMENTS

| | | | |
|-------------|-----------|------------|--------|
| 2,676,025 A | 4/1954 | Davis | |
| 3,010,172 A | * 11/1961 | Kaplan | 24/279 |
| D207,603 S | * 5/1967 | Blakely | D8/396 |
| 3,483,998 A | 12/1969 | Butler | |
| 3,606,027 A | 9/1971 | Clements | |
| 3,787,134 A | 1/1974 | Burr | |
| 3,812,629 A | 5/1974 | Campbell | |
| 3,980,408 A | 9/1976 | Jachmann | |
| 4,150,907 A | 4/1979 | Thurnauer | |
| 4,212,445 A | 7/1980 | Hagen | |
| 4,345,849 A | 8/1982 | Stenemann | |
| 4,355,918 A | 10/1982 | Van Vliet | |
| 4,455,103 A | 6/1984 | Hackenberg | |
| 4,471,548 A | 9/1984 | Goudie | |
| 4,583,359 A | 4/1986 | Staeger | |

Primary Examiner—Louis S. Zarfaz
Assistant Examiner—John Windmuller
(74) *Attorney, Agent, or Firm*—Patterson, Thunte, Skaar & Christensen, P.A.

(57) **CLAIM**

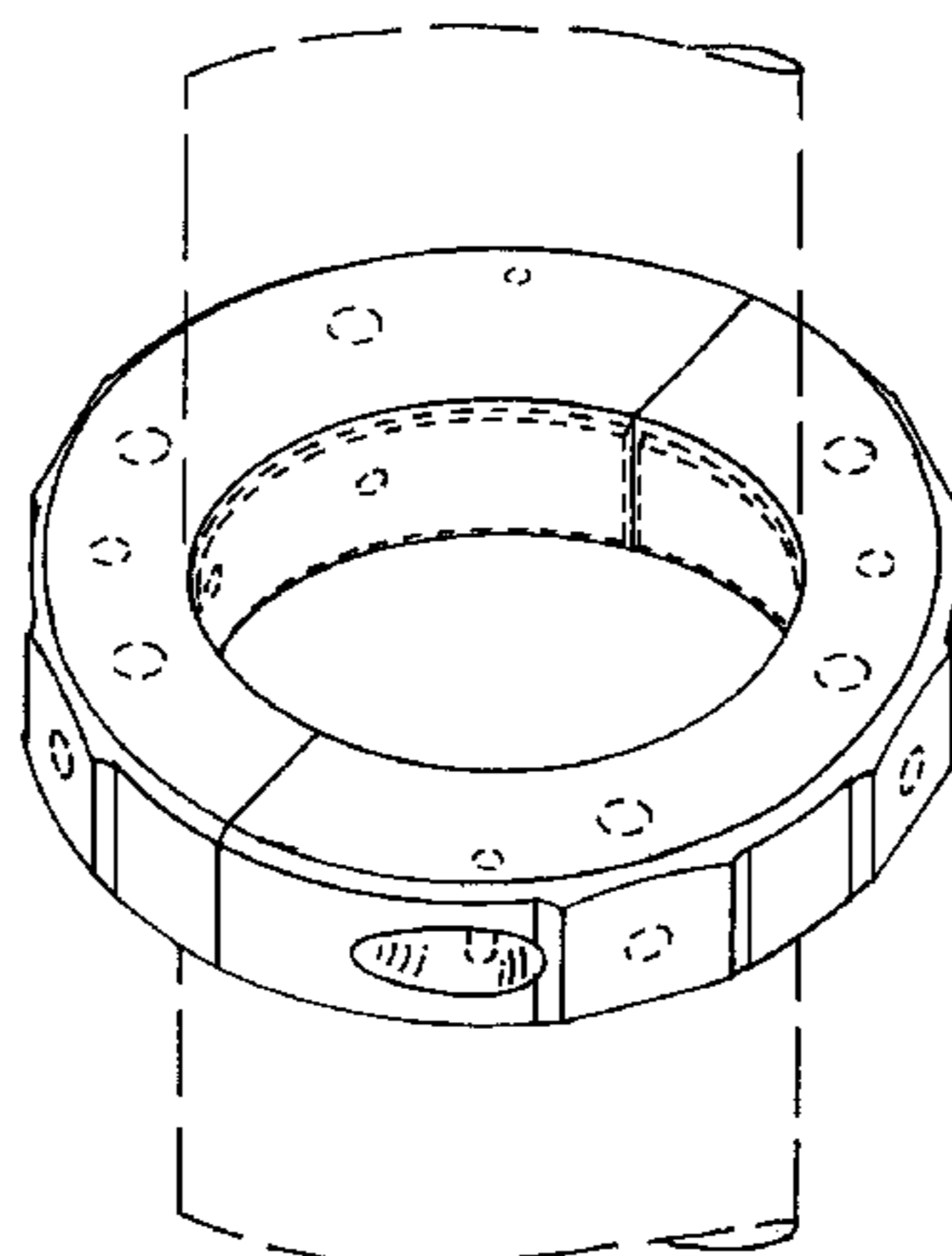
The ornamental design for tubular framework connection collar, as shown and described.

DESCRIPTION

FIG. 1 is a perspective view of a tubular framework connection collar showing our design; and, FIG. 2 is a bottom plan view thereof. The broken line showing of additional components and connectivity apertures is for illustrative purposes only and forms no part of the claimed design.

(Continued)

1 Claim, 1 Drawing Sheet



US D516,417 S

Page 2

U.S. PATENT DOCUMENTS

| | | | | | | | | | | |
|-----------|---|---|---------|----------------------|----------|--------------|----|---------|---------------------|--------------------|
| 4,679,755 | A | * | 7/1987 | Marsault et al. | 248/74.1 | D408,560 | S | 4/1999 | Bruder | |
| 4,800,663 | A | | 1/1989 | Zeigler | | 5,957,614 | A | 9/1999 | Aurich | |
| 4,815,885 | A | | 3/1989 | Wright | | D417,292 | S | 11/1999 | Staeger | |
| 4,934,858 | A | | 6/1990 | Beaulieu | | 6,079,178 | A | 6/2000 | Fisher | |
| 4,951,440 | A | | 8/1990 | Staeger | | 6,149,021 | A | 11/2000 | Beaulieu | |
| 4,986,038 | A | | 1/1991 | Backer | | 6,186,134 | B1 | 2/2001 | Battersby et al. | |
| 5,038,529 | A | | 8/1991 | Conley et al. | | D438,781 | S | * | 3/2001 | Leach D8/394 |
| 5,092,385 | A | | 3/1992 | Beaulieu | | 6,196,568 | B1 | 3/2001 | Stevens | |
| 5,101,607 | A | | 4/1992 | Staeger | | 6,216,887 | B1 | 4/2001 | Soo | |
| 5,111,631 | A | | 5/1992 | Flood et al. | | 6,273,633 | B1 | 8/2001 | Husson et al. | |
| 5,115,623 | A | | 5/1992 | Ahlberg | | 6,405,884 | B1 | 6/2002 | Dion | |
| 5,253,407 | A | | 10/1993 | Jamrus | | D473,783 | S | * | 4/2003 | Kiely D8/396 |
| 5,269,112 | A | | 12/1993 | Weinrub et al. | | 6,615,562 | B2 | 9/2003 | Fritsche et al. | |
| 5,271,685 | A | | 12/1993 | Stark | | 2001/0050262 | A1 | 12/2001 | LaBruna, Jr. et al. | |
| 5,277,512 | A | | 1/1994 | Dwillies | | | | | | |
| 5,351,843 | A | | 10/1994 | Wichman et al. | | | | | | |
| 5,370,249 | A | | 12/1994 | Harvey et al. | | | | | | |
| 5,501,051 | A | | 3/1996 | Harlan | | | | | | |
| 5,536,097 | A | | 7/1996 | Hazan | | | | | | |
| 5,537,766 | A | | 7/1996 | Nickens et al. | | | | | | |
| 5,549,408 | A | | 8/1996 | Lo | | | | | | |
| D373,692 | S | | 9/1996 | Staeger | | | | | | |
| 5,561,960 | A | | 10/1996 | Minnick et al. | | | | | | |
| 5,651,630 | A | | 7/1997 | Nomura | | | | | | |
| 5,706,622 | A | | 1/1998 | Lange | | | | | | |
| 5,769,247 | A | | 6/1998 | Merl | | | | | | |

OTHER PUBLICATIONS

Trussworks, Truss Catalog web page printout, *Trussworks Photos, Exhibit Photos*, p. 1, Aug, 17, 2001.
Trussworks, Truss Catalog web page printout, *Trussworks Photos, Graphics Frame*, p. 12 Aug. 17, 2001.
Xtensis, *The Exhibit System You've Been Waiting For!*, Xtensis brochure, Canfield Industries, Inc., 20 pages.
INdoor, *Präsentationssysteme*, FRistem, 14 pages.
Catalog, *Your Handrail Source*, Hollaender, 50 pages.

* cited by examiner

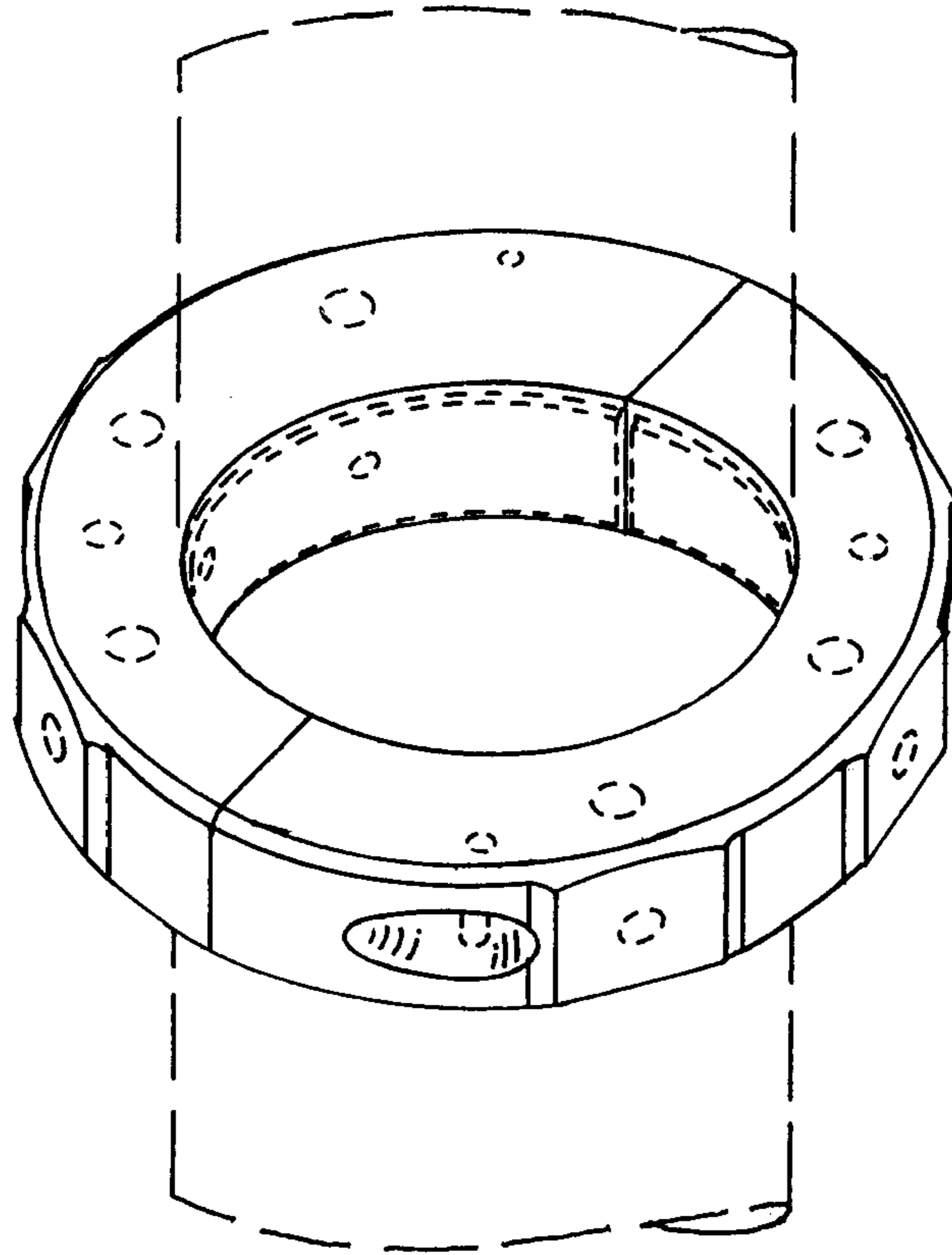


FIG. 1

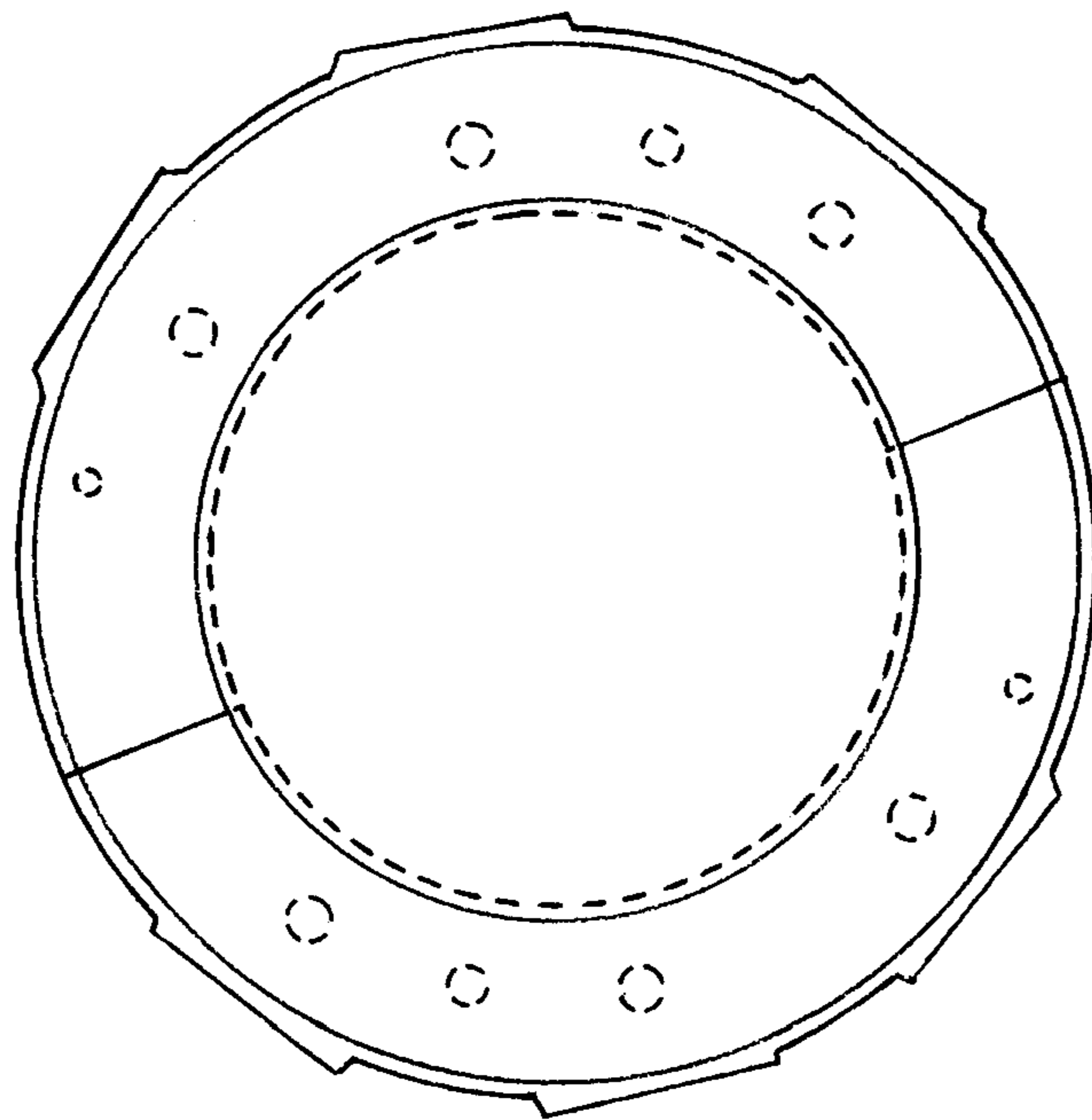


FIG. 2