



US00D516416S

(12) **United States Design Patent** (10) **Patent No.:** **US D516,416 S**  
**Friedline et al.** (45) **Date of Patent:** **\*\* Mar. 7, 2006**

(54) **CONDUIT SUPPORT**

(75) Inventors: **Gary W. Friedline**, New Alexandria, PA (US); **Robert S. Chappo, Jr.**, West Mifflin, PA (US); **Kenneth R. Graham**, Youngwood, PA (US)

(73) Assignee: **PBM, Inc.**, Irwin, PA (US)

(\*\*) Term: **14 Years**

(21) Appl. No.: **29/205,187**

(22) Filed: **May 11, 2004**

2,425,033 A 8/1947 Fletcher  
2,442,833 A 6/1948 Watkins  
2,676,036 A 4/1954 Arrowood  
D172,741 S 8/1954 Cooper  
2,712,167 A 7/1955 Blanchard  
2,861,762 A 11/1958 Gunthel, Jr.  
2,890,848 A 6/1959 Johnson, Jr.  
2,937,835 A 5/1960 Csmereka  
D190,680 S 6/1961 Sakhnoffsky  
3,128,073 A 4/1964 Berlyn  
3,186,051 A 6/1965 Waddell  
3,188,030 A 6/1965 Fischer  
3,244,388 A 4/1966 Coffman  
3,266,761 A 8/1966 Walton et al.

(Continued)

**Related U.S. Application Data**

(62) Division of application No. 29/183,857, filed on Jun. 18, 2003, now abandoned.

(51) **LOC (8) Cl.** ..... **08-05**

(52) **U.S. Cl.** ..... **D8/380**

(58) **Field of Classification Search** ..... D8/349,  
D8/354, 356, 367, 373, 380, 382, 383, 394,  
D8/396; D23/265; 174/48, 49, 68.1, 68.3;  
248/49, 58, 62, 65, 67.7, 68.1, 71, 74.1, 200,  
248/201

See application file for complete search history.

**OTHER PUBLICATIONS**

U.S. Appl. No. 10/464,196, unpublished, Friedline et al.

*Primary Examiner*—Jeffrey Asch

*Assistant Examiner*—Elizabeth Albert

(74) *Attorney, Agent, or Firm*—Kirkpatrick & Lockhart  
Nicholson Graham LLP

(57) **CLAIM**

The ornamental design for a conduit support, as shown and described.

(56) **References Cited**

**U.S. PATENT DOCUMENTS**

824,544 A 6/1906 Hossege  
1,196,930 A 9/1916 Carpenter et al.  
1,320,828 A 11/1919 Bilbrough  
1,322,414 A 11/1919 Elkins  
1,480,147 A 1/1924 Brandt  
1,906,209 A 4/1933 Harding et al.  
2,335,296 A 11/1943 Miller  
2,339,565 A 1/1944 Goldberg et al.  
2,354,919 A 8/1944 Lockwood  
2,355,742 A 8/1944 Morehouse  
2,356,318 A 8/1944 Hayman  
2,361,943 A 11/1944 Issoglio et al.  
2,362,124 A 11/1944 Ellinwood  
2,404,531 A 7/1946 Robertson

**DESCRIPTION**

FIG. 1 is an isometric elevational view of a conduit support with a telescoping support in broken lines showing our new design;

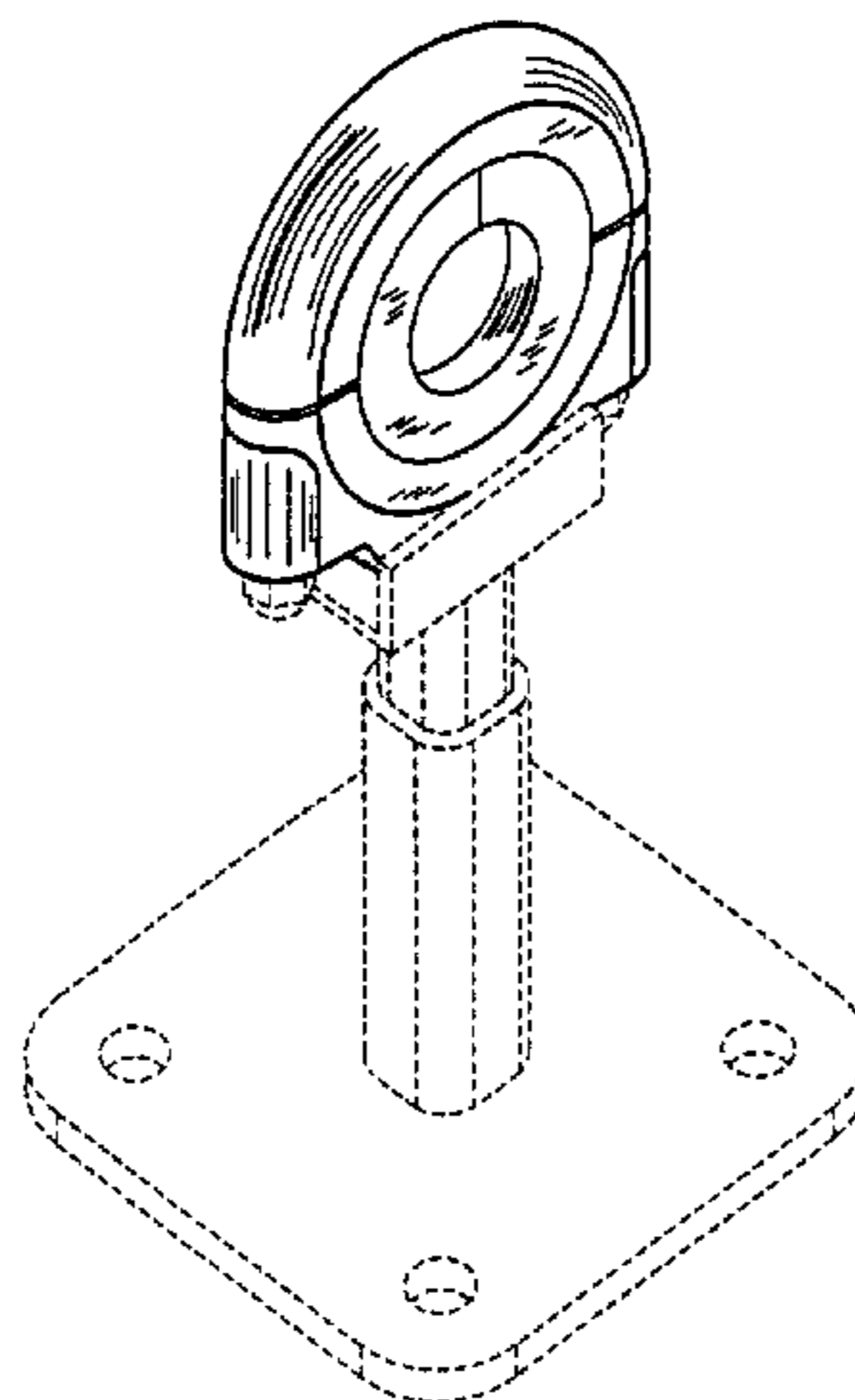
FIG. 2 is a front view of the conduit support of FIG. 1;

FIG. 3 is a left side elevational view of the conduit support of FIG. 1 with the right side elevational view being a mirror image thereof;

FIG. 4 is a top view of the conduit support of FIG. 1; and,

FIG. 5 is a bottom view of the conduit support of FIG. 1. The broken lines showing nuts, washers, and support members in FIGS. 1–5 depict an environment for illustrative purposes only and form no part of the claimed design.

**1 Claim, 1 Drawing Sheet**



# US D516,416 S

## U.S. PATENT DOCUMENTS

3,273,837 A	9/1966	Willert et al.	5,377,939 A	1/1995	Kirma		
3,330,517 A	7/1967	Zimmermann	5,381,833 A	1/1995	Cummings et al.		
3,523,667 A	8/1970	Guerrero	5,395,079 A	3/1995	Jensen et al.		
3,530,899 A	9/1970	Breeding	5,404,914 A	4/1995	Ziu		
3,531,071 A	9/1970	Kubil	5,443,232 A	8/1995	Kesinger et al.		
3,539,137 A	11/1970	March	5,503,353 A	4/1996	Degand		
3,572,662 A	3/1971	Weaver	5,542,631 A	8/1996	Bruno		
3,582,029 A	6/1971	Moesta	5,553,975 A	9/1996	Elkins		
3,695,563 A	10/1972	Evans	5,593,115 A	1/1997	Lewis		
3,848,839 A	11/1974	Tillman	5,651,519 A	7/1997	Goodrich et al.		
3,851,979 A	12/1974	Becker	5,794,897 A	8/1998	Jobin et al.		
3,856,246 A	12/1974	Sinko	5,865,474 A	2/1999	Takahashi		
3,914,100 A	10/1975	Guskea	5,876,000 A	3/1999	Ismert		
3,944,175 A	3/1976	Kearney	D408,727 S	4/1999	Sherman		
4,004,766 A	1/1977	Long	5,906,341 A	5/1999	Brown		
4,025,131 A	5/1977	Bergquist et al.	5,931,423 A	8/1999	Heideloff		
D247,420 S	3/1978	Reynolds	5,971,663 A	10/1999	Brothers		
4,121,796 A	10/1978	Forbes	5,979,839 A	11/1999	Horn et al.		
4,134,563 A	1/1979	Pollono	5,984,243 A	11/1999	Pfaller et al.		
4,146,203 A	3/1979	Williams	5,992,802 A	11/1999	Campbell		
4,202,520 A	5/1980	Loos et al.	D422,204 S	4/2000	Holloway et al.		
4,262,869 A	4/1981	Menshen	6,079,673 A	6/2000	Cox		
4,270,250 A	6/1981	Schön	6,105,216 A	8/2000	Opperthausen		
D263,415 S	3/1982	Roche	6,126,122 A	10/2000	Ismert		
4,411,460 A	10/1983	Beal	6,142,428 A	11/2000	Kamata et al.		
4,415,188 A	11/1983	Ginter, Jr.	6,146,050 A	11/2000	Marshall		
4,444,370 A	4/1984	Krueger	6,161,589 A	12/2000	Bolotte et al.		
D273,938 S	5/1984	Piper	D436,028 S	1/2001	Wagner et al.		
4,595,162 A	6/1986	Matsumura et al.	6,301,735 B1	10/2001	Jartoux et al.		
4,618,114 A	10/1986	McFarland	6,349,807 B1	2/2002	Northup et al.		
4,666,109 A	5/1987	Fallon et al.	6,431,502 B1	8/2002	Goodman		
4,765,577 A	8/1988	Collins et al.	D485,159 S *	1/2004	Junkers ..... D8/382		
4,784,363 A	11/1988	Brown et al.	D489,000 S *	4/2004	Ellery ..... D8/396		
4,858,860 A	8/1989	Richards	6,799,607 B1 *	10/2004	Friedline et al. .... 138/106		
4,930,732 A	6/1990	Hardtke	2002/0000499 A1	1/2002	Aoki et al.		
D309,094 S	7/1990	Donis et al.	2002/0030144 A1	3/2002	Blane et al.		
5,007,604 A	4/1991	Richards	2002/0066835 A1	6/2002	Sentpali et al.		
5,014,940 A	5/1991	Sherman	2002/0088905 A1 *	7/2002	Hansen ..... 248/65		
5,098,047 A	3/1992	Plumley	2002/0104930 A1	8/2002	Attee		
5,112,031 A	5/1992	Hynds et al.	2002/0113173 A1	8/2002	Bass		
5,192,039 A	3/1993	Williams	2002/0153459 A1	10/2002	Maurice		
5,221,064 A	6/1993	Hodges	2002/0158171 A1	10/2002	Karlinger		
5,240,294 A	8/1993	Corcoran	2003/0106968 A1 *	6/2003	Terrill et al. .... 248/58		
5,271,588 A	12/1993	Doyle	2005/0017133 A1 *	1/2005	Wochnick ..... 248/74.1		
5,350,141 A	9/1994	Perrault et al.	2005/0061925 A1 *	3/2005	Kirschner ..... 248/49		

\* cited by examiner

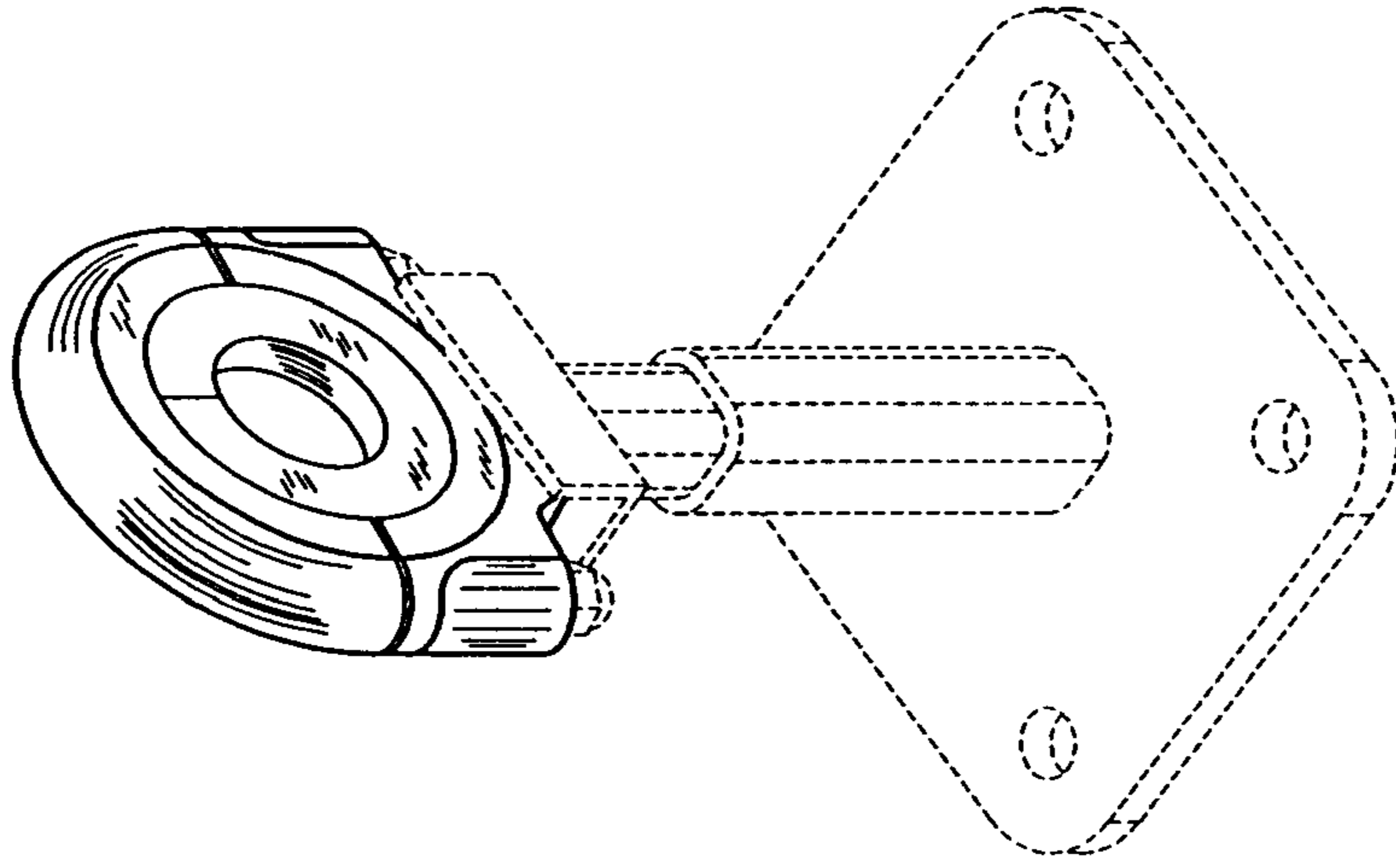


FIG. 1

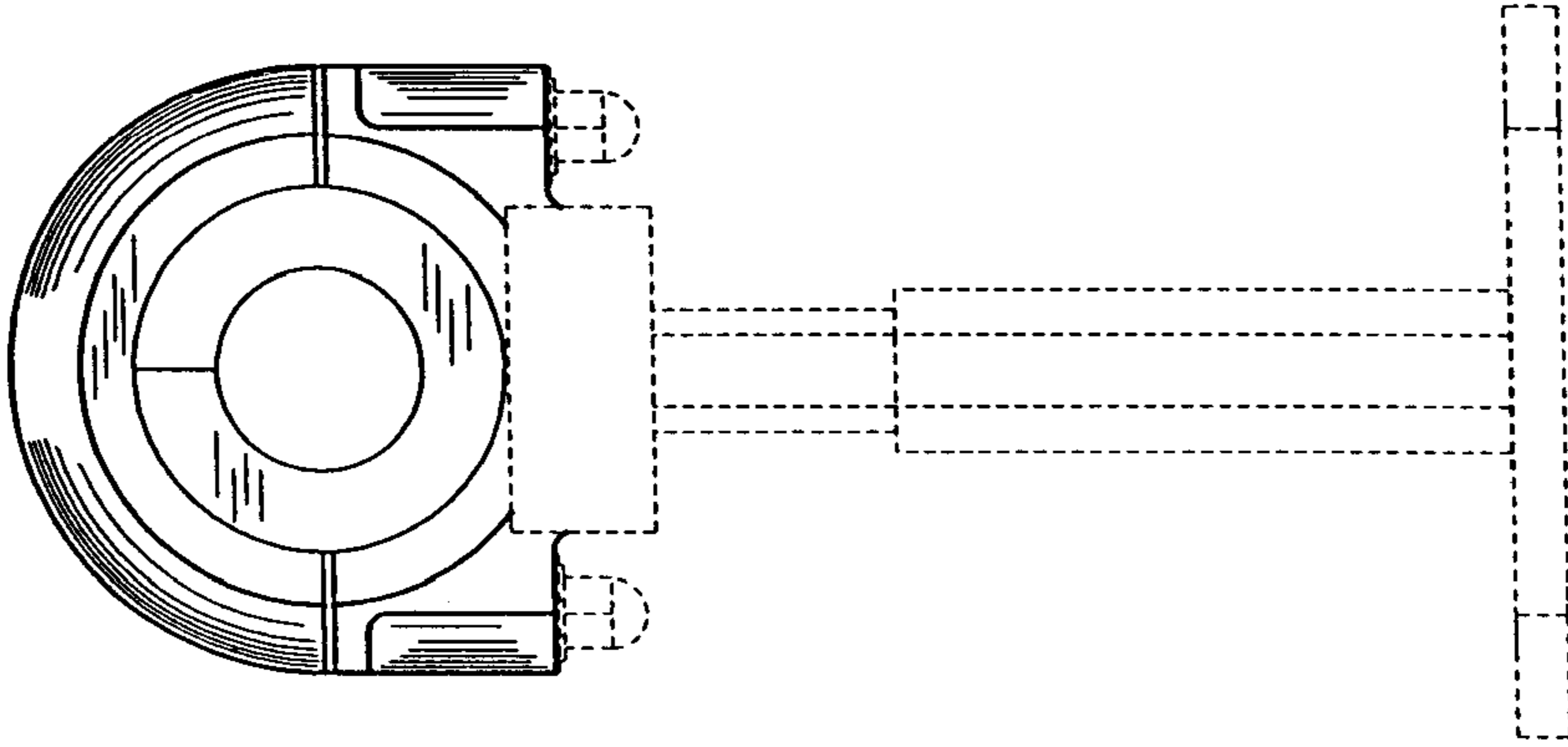


FIG. 2

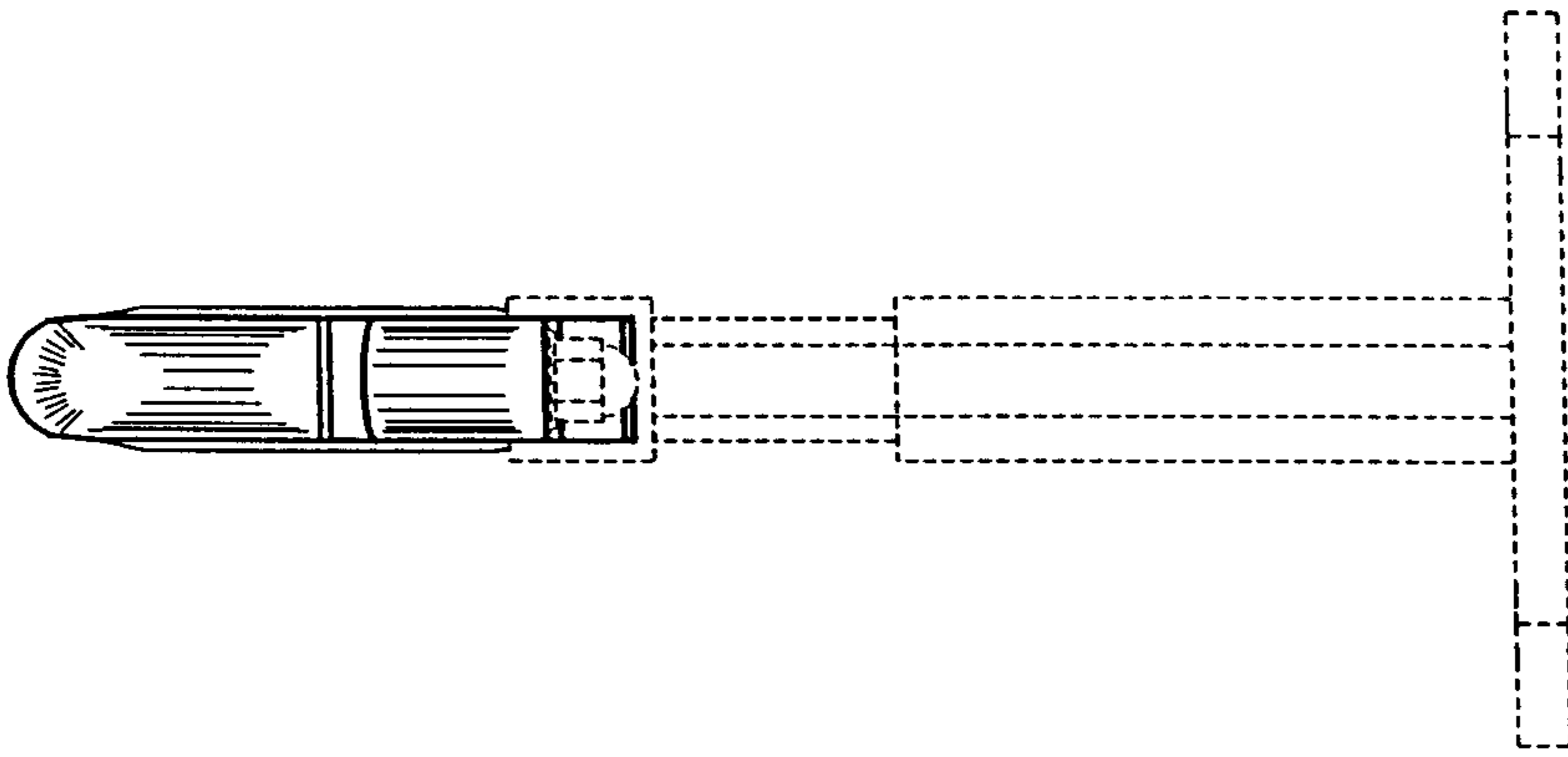


FIG. 3

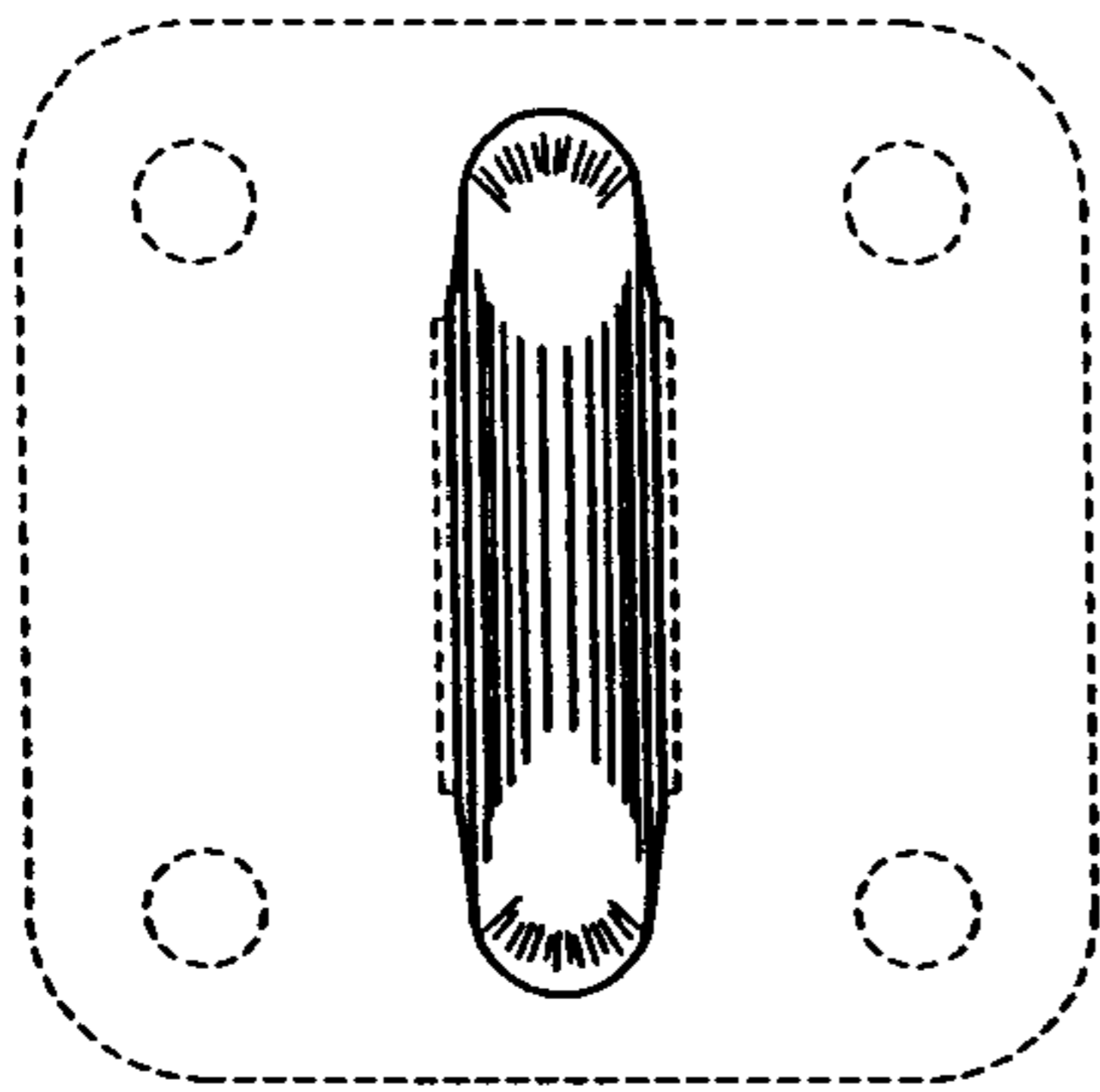


FIG. 4



FIG. 5