



US00D516414S

(12) **United States Design Patent**  
**Guttman et al.**

(10) **Patent No.: US D516,414 S**  
(45) **Date of Patent: \*\* Mar. 7, 2006**

(54) **CASTER YOKE**

(75) Inventors: **Craig J. Guttman**, Thornhill (CA);  
**Sean Guttman**, Thornhill (CA); **Peter Depinto**, Brampton (CA); **Csaba Lemak**, Richmond Hill (CA)

(73) Assignee: **Algood Casters Limited**, Toronto (CA)

(\*\*) Term: **14 Years**

(21) Appl. No.: **29/227,199**

(22) Filed: **Apr. 8, 2005**

(30) **Foreign Application Priority Data**

Feb. 17, 2005 (CA) ..... 110153

(51) **LOC (8) Cl.** ..... **08-05**

(52) **U.S. Cl.** ..... **D8/375**

(58) **Field of Classification Search** ..... D8/375;  
16/18 CG, 45-47

See application file for complete search history.

(56) **References Cited**

**U.S. PATENT DOCUMENTS**

D343,787 S 2/1994 Finkeldey  
D347,162 S 5/1994 Simonsen  
D349,043 S 7/1994 Carlson

D404,291 S \* 1/1999 Tieken ..... D8/375  
D407,630 S \* 4/1999 Tieken ..... D8/375  
D414,679 S \* 10/1999 Tieken ..... D8/375  
D439,146 S \* 3/2001 Wang ..... D8/375  
D463,257 S \* 9/2002 Stickel ..... D8/375  
D469,002 S \* 1/2003 McCord ..... D8/375

\* cited by examiner

*Primary Examiner*—Holly H. Baynham

(74) *Attorney, Agent, or Firm*—Riches, McKenzie & Herbert LLP

(57) **CLAIM**

I claim the ornamental design for a caster yoke, as shown.

**DESCRIPTION**

FIG. 1 is a perspective view of a caster showing my new design;

FIG. 2 is a front elevation view thereof;

FIG. 3 is a left side elevation view thereof;

FIG. 4 is a top plan view thereof;

FIG. 5 is a right side elevation view thereof;

FIG. 6 is a bottom plan view thereof; and,

FIG. 7 is a rear elevation view thereof.

The broken line showing of a caster wheel and support plate is for illustrative purposes only and forms no part of the claimed design.

**1 Claim, 6 Drawing Sheets**

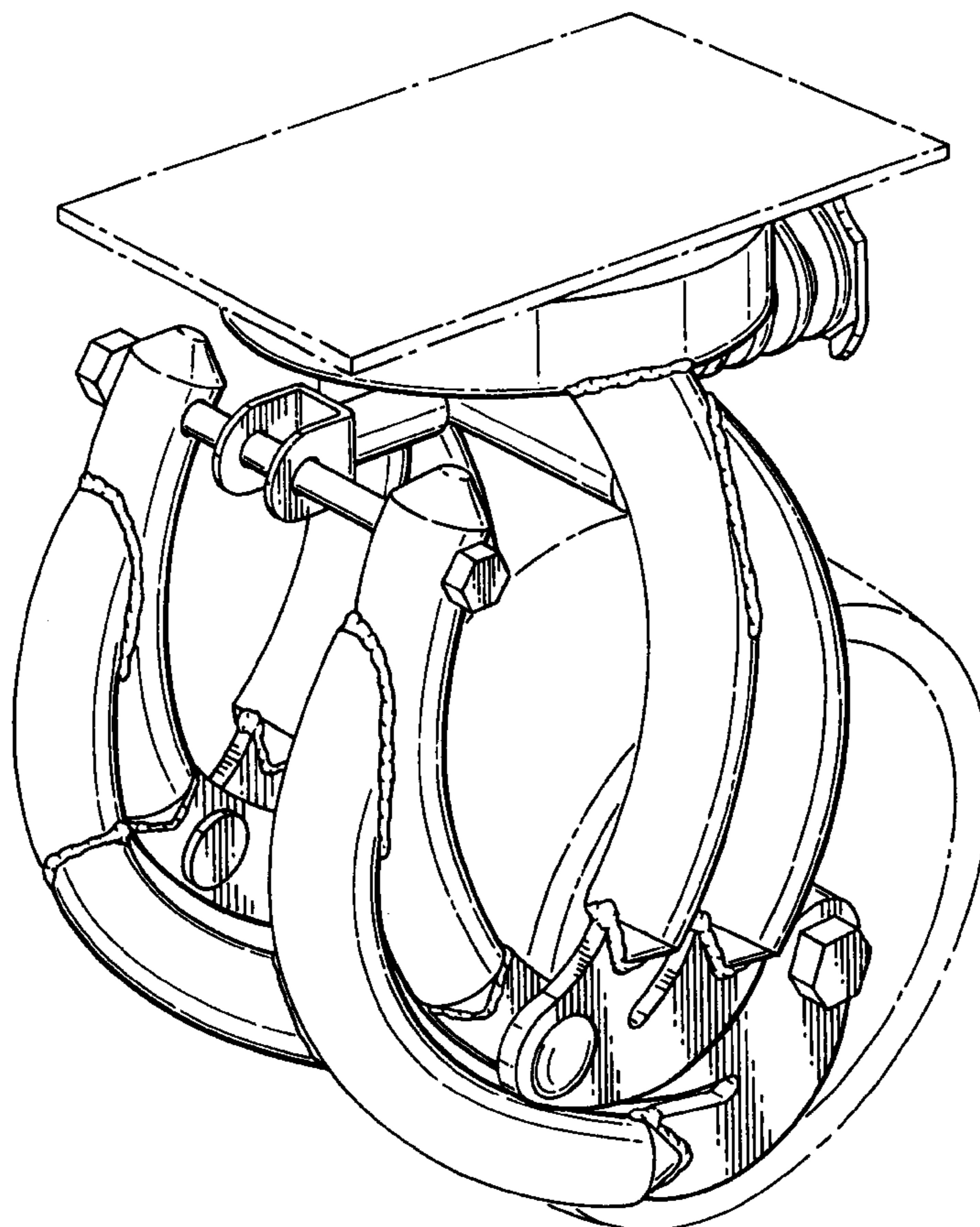


FIG. 1.

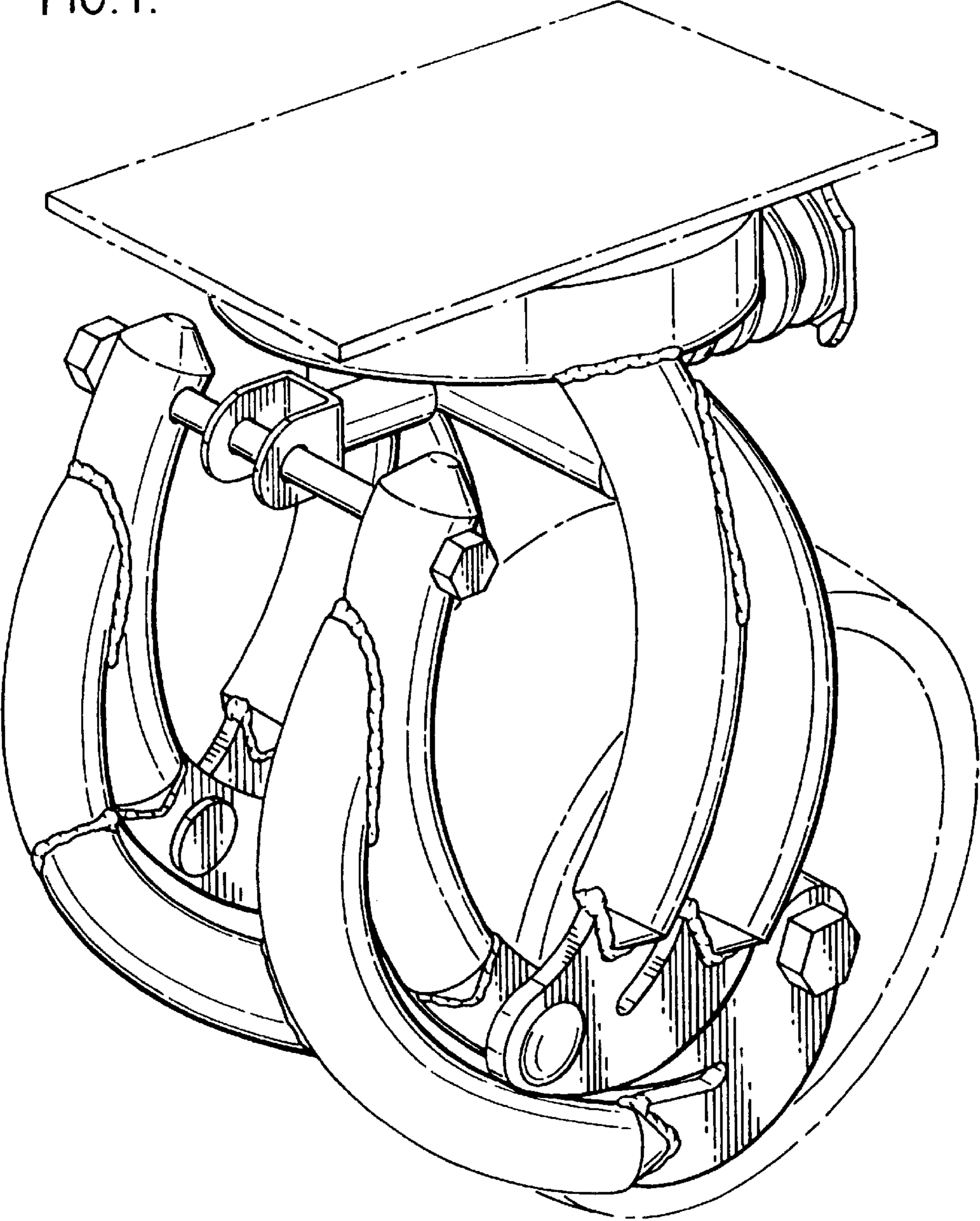


FIG. 2.

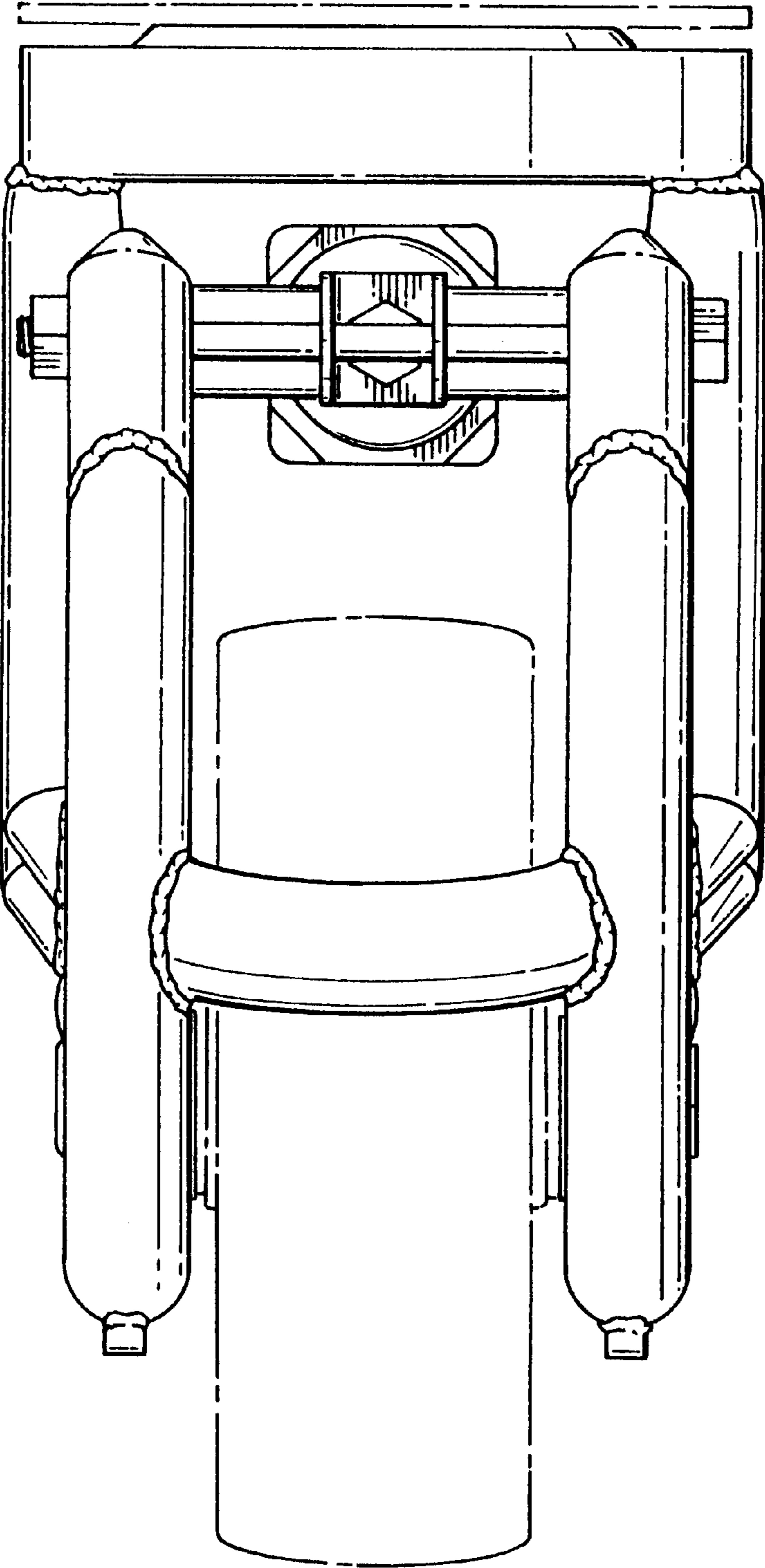


FIG. 3.

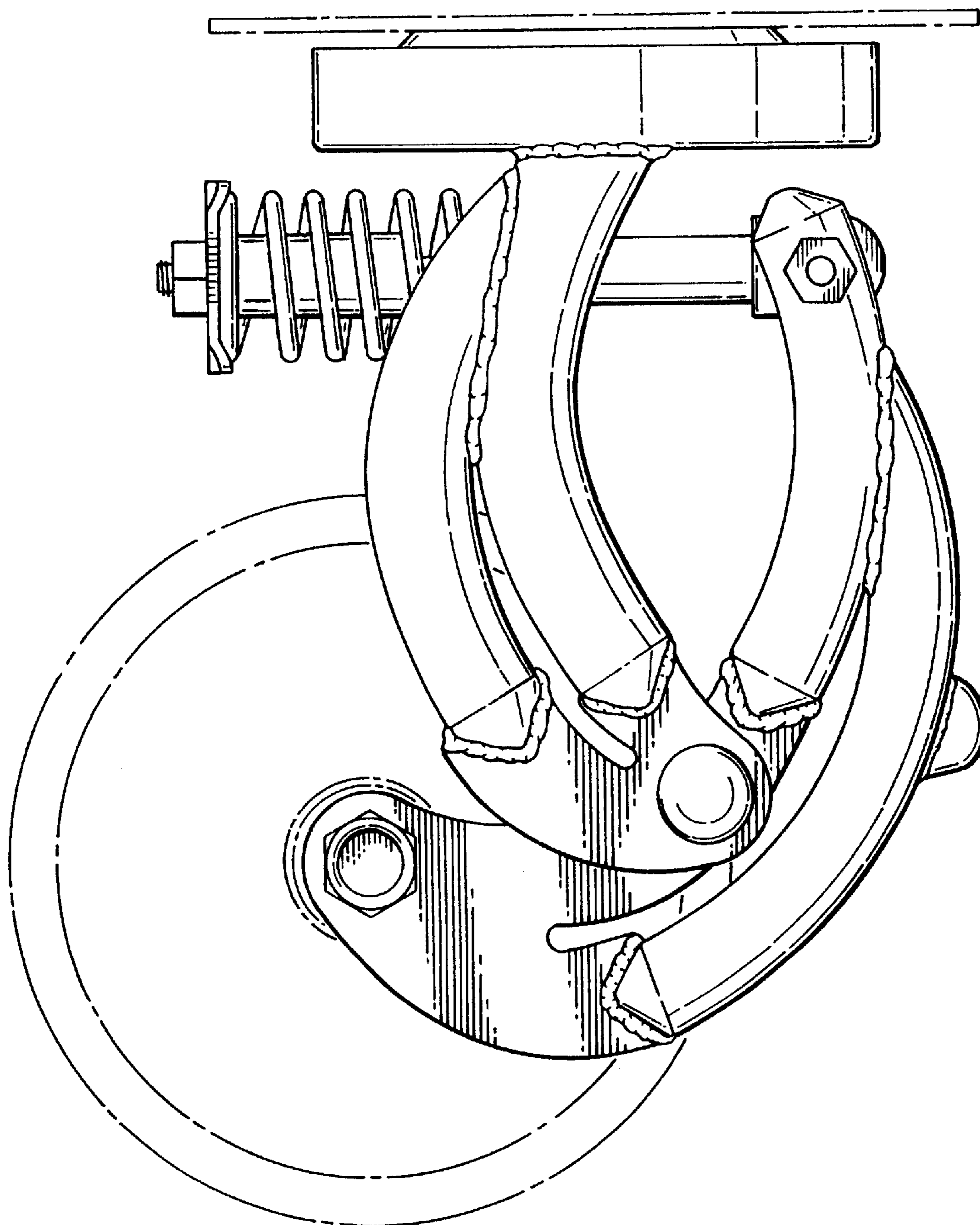


FIG. 4.

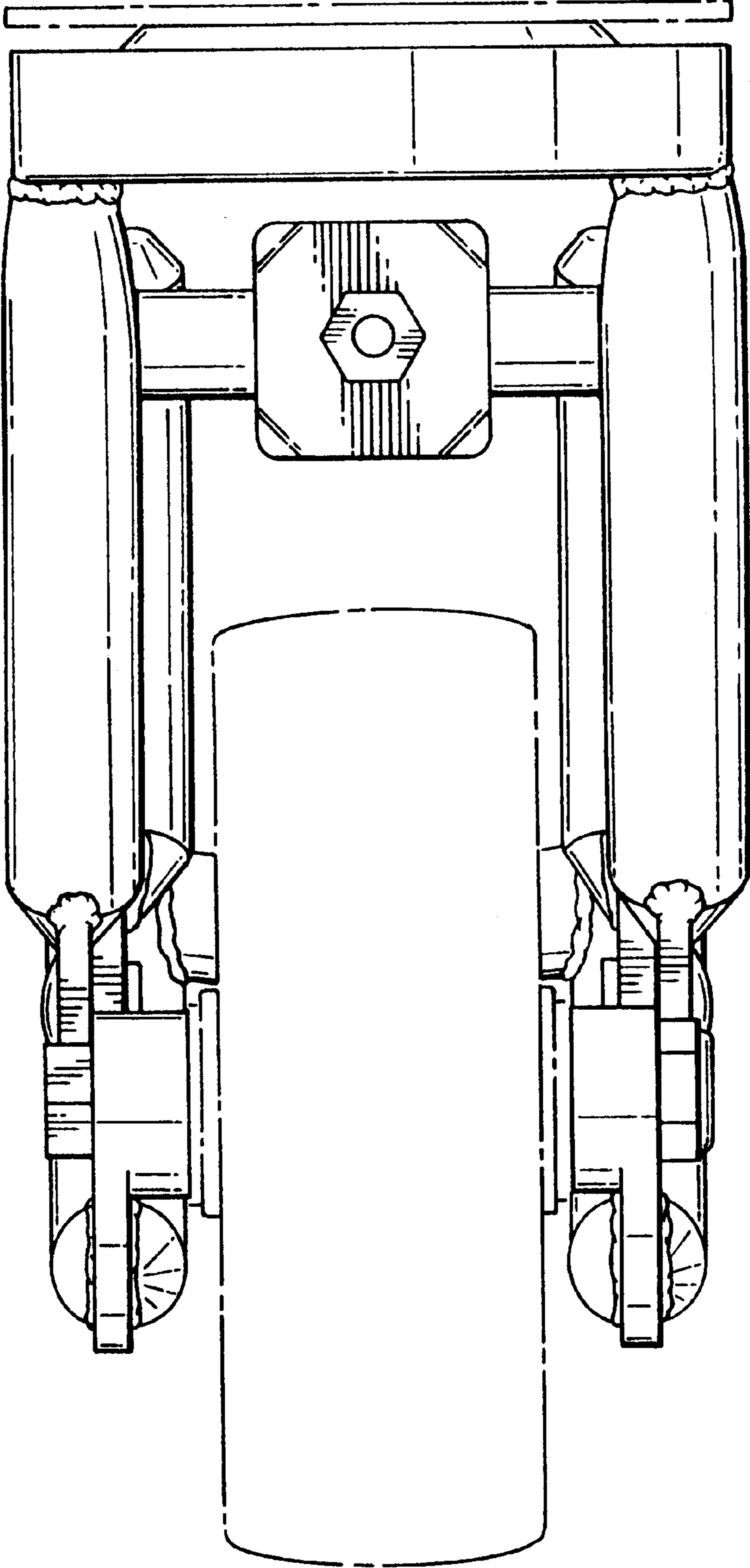


FIG. 5.

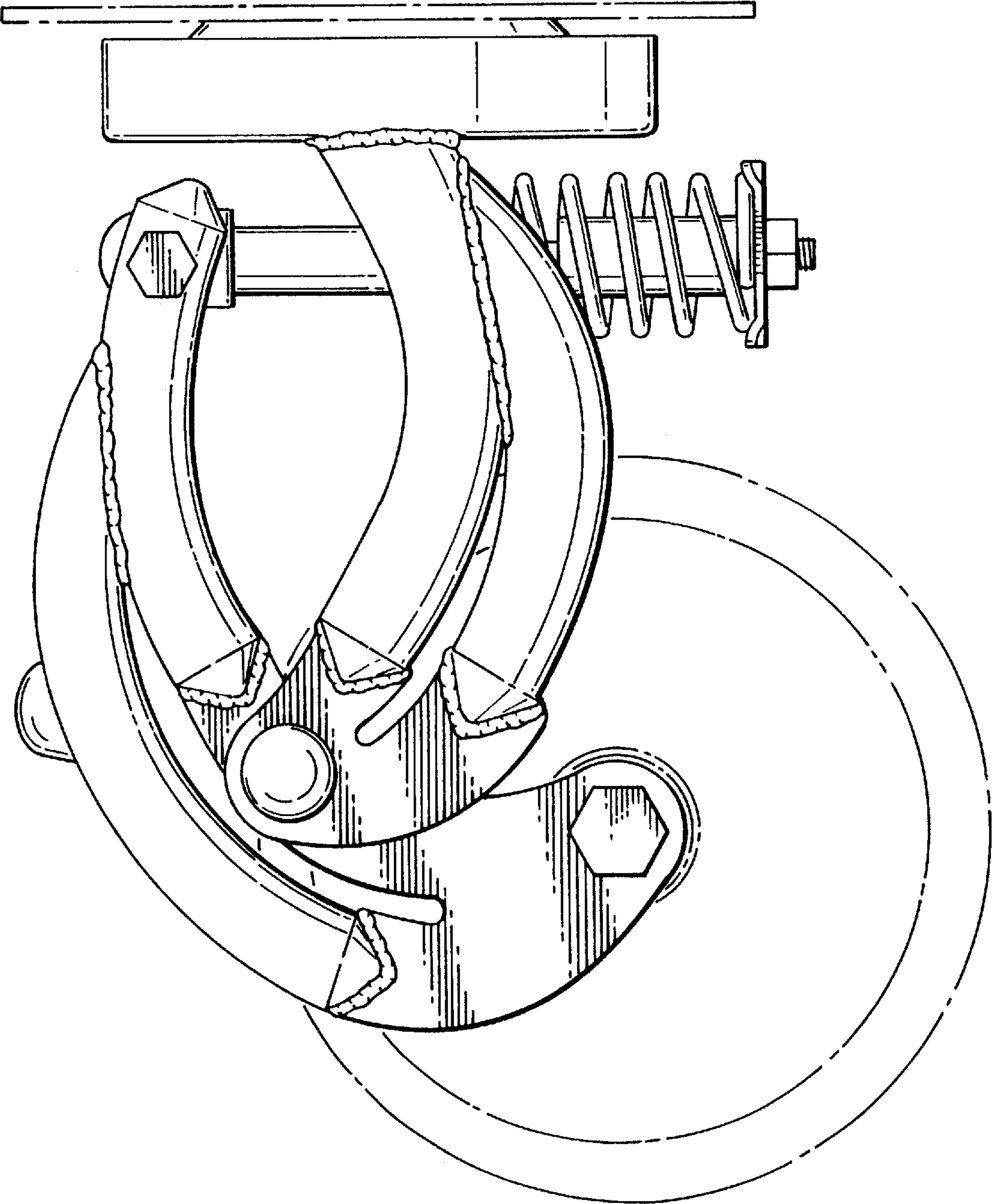


FIG.6.

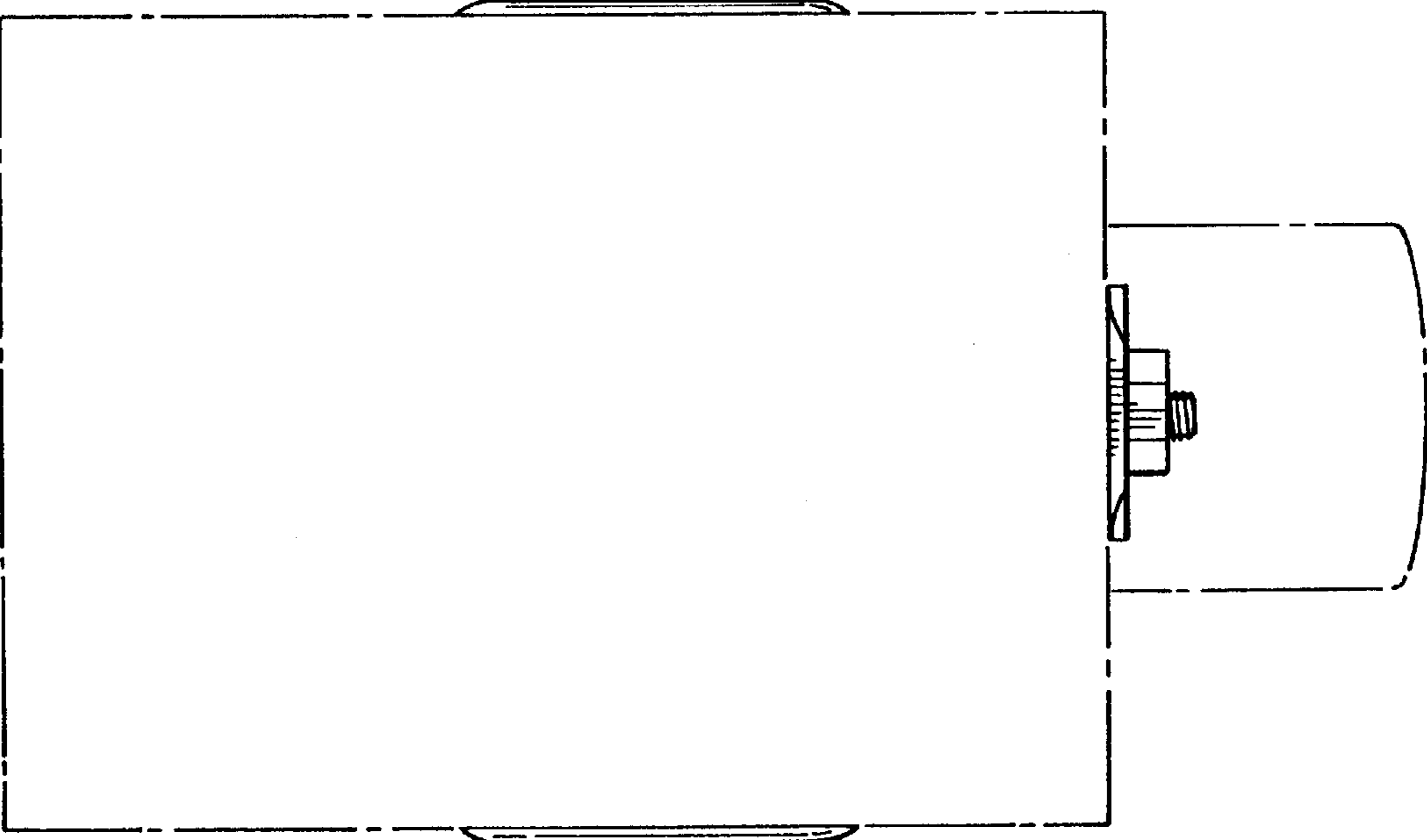


FIG.7.

