



US00D516413S

(12) **United States Design Patent**
Anderson et al.

(10) **Patent No.:** **US D516,413 S**
(45) **Date of Patent:** **** Mar. 7, 2006**

(54) **SIX INCH DOUBLE J-HOOK**

D486,379 S * 2/2004 Olson D8/370

(75) Inventors: **Torrence Anderson**, Overland Park, KS (US); **Adam Thomas**, Wheaton, IL (US)

* cited by examiner

Primary Examiner—Holly H. Baynham
(74) *Attorney, Agent, or Firm*—McHale & Slavin, P.A.

(73) Assignee: **Suncast Corporation**, Batavia, IL (US)

(57) **CLAIM**

(**) Term: **14 Years**

The ornamental design for a six inch double j-hook, as shown and described.

(21) Appl. No.: **29/203,399**

DESCRIPTION

(22) Filed: **Apr. 13, 2004**

(51) **LOC (8) Cl.** **08-05**

(52) **U.S. Cl.** **D8/373**

(58) **Field of Classification Search** D8/367,
D8/372, 370, 373; 248/302–303, 215
See application file for complete search history.

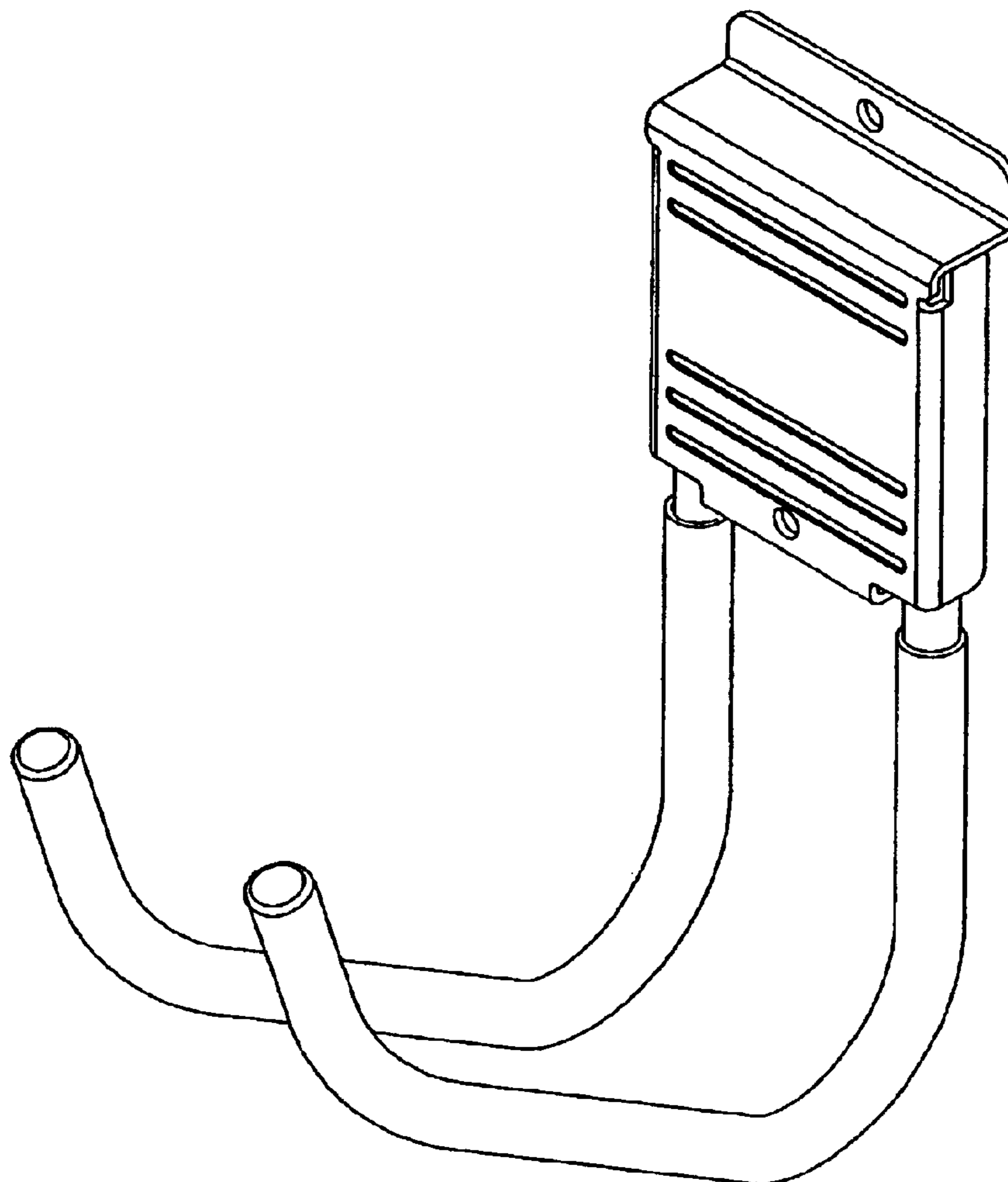
FIG. 1 is a perspective view of the six inch double j-hook, of the instant invention;
FIG. 2 is a front plane view thereof;
FIG. 3 is a rear plane view thereof;
FIG. 4 is a left side view thereof;
FIG. 5 is a right side view thereof;
FIG. 6 is a top view thereof; and,
FIG. 7 is a bottom view thereof.

(56) **References Cited**

U.S. PATENT DOCUMENTS

D432,316 S * 10/2000 Duggan D6/317

1 Claim, 4 Drawing Sheets



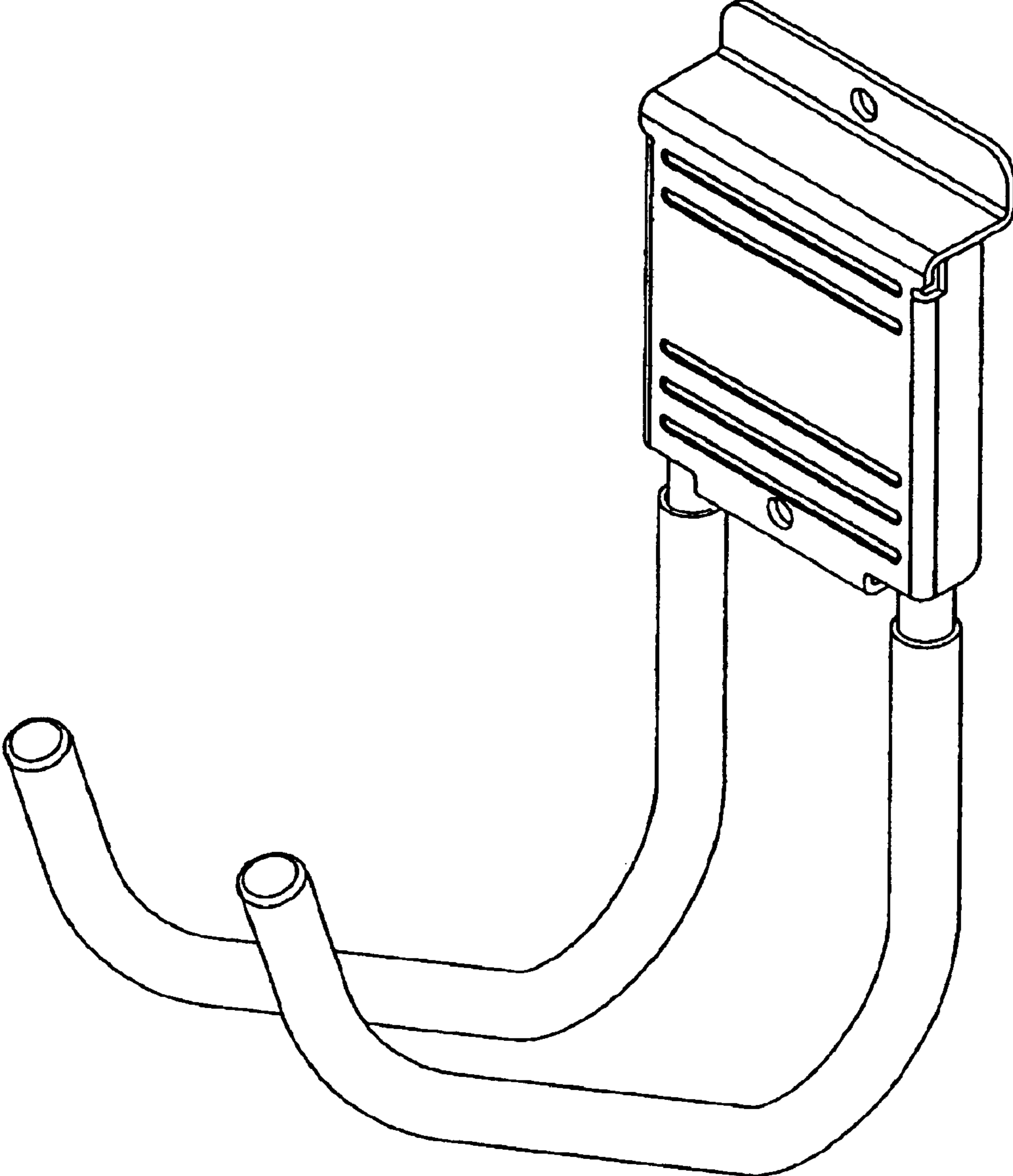


FIGURE 1

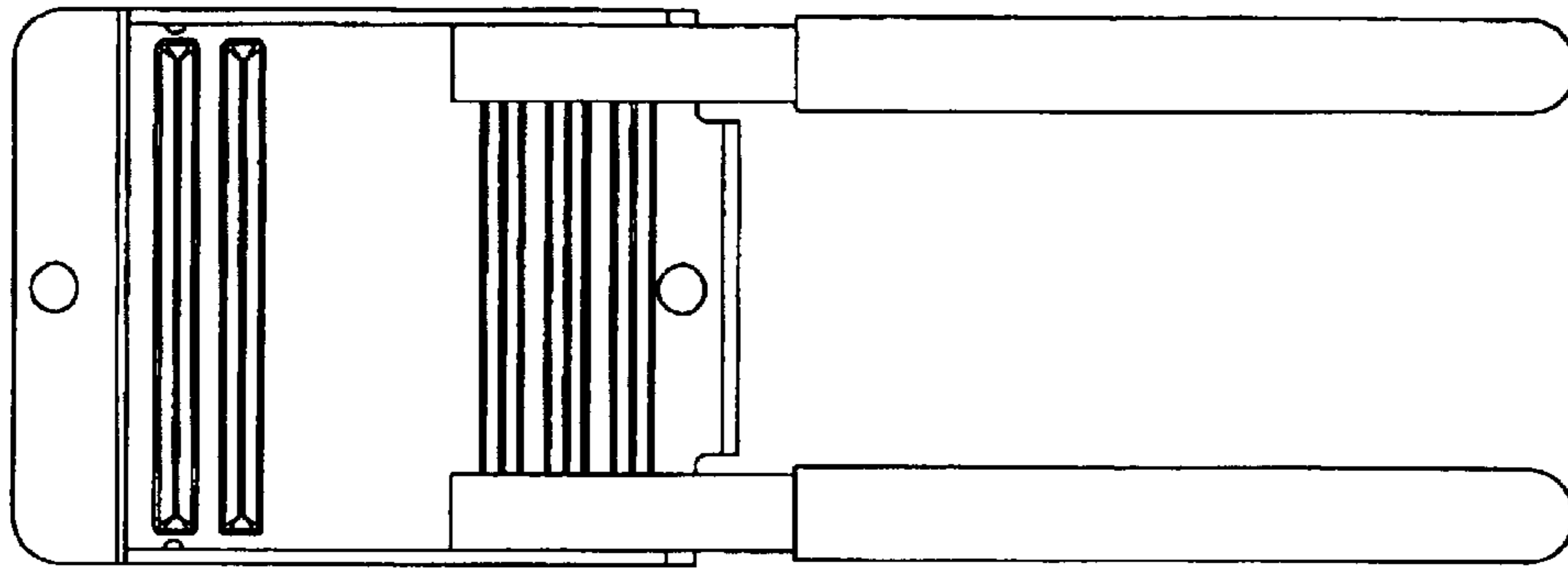


FIGURE 3

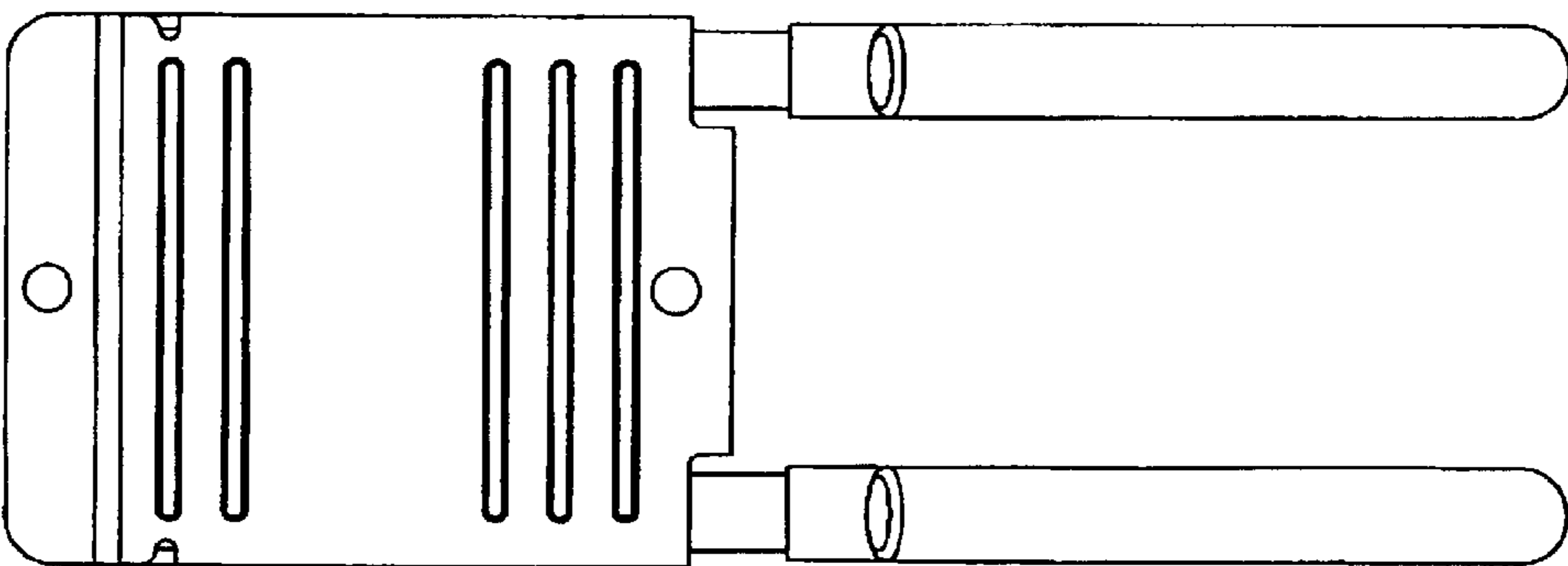


FIGURE 2

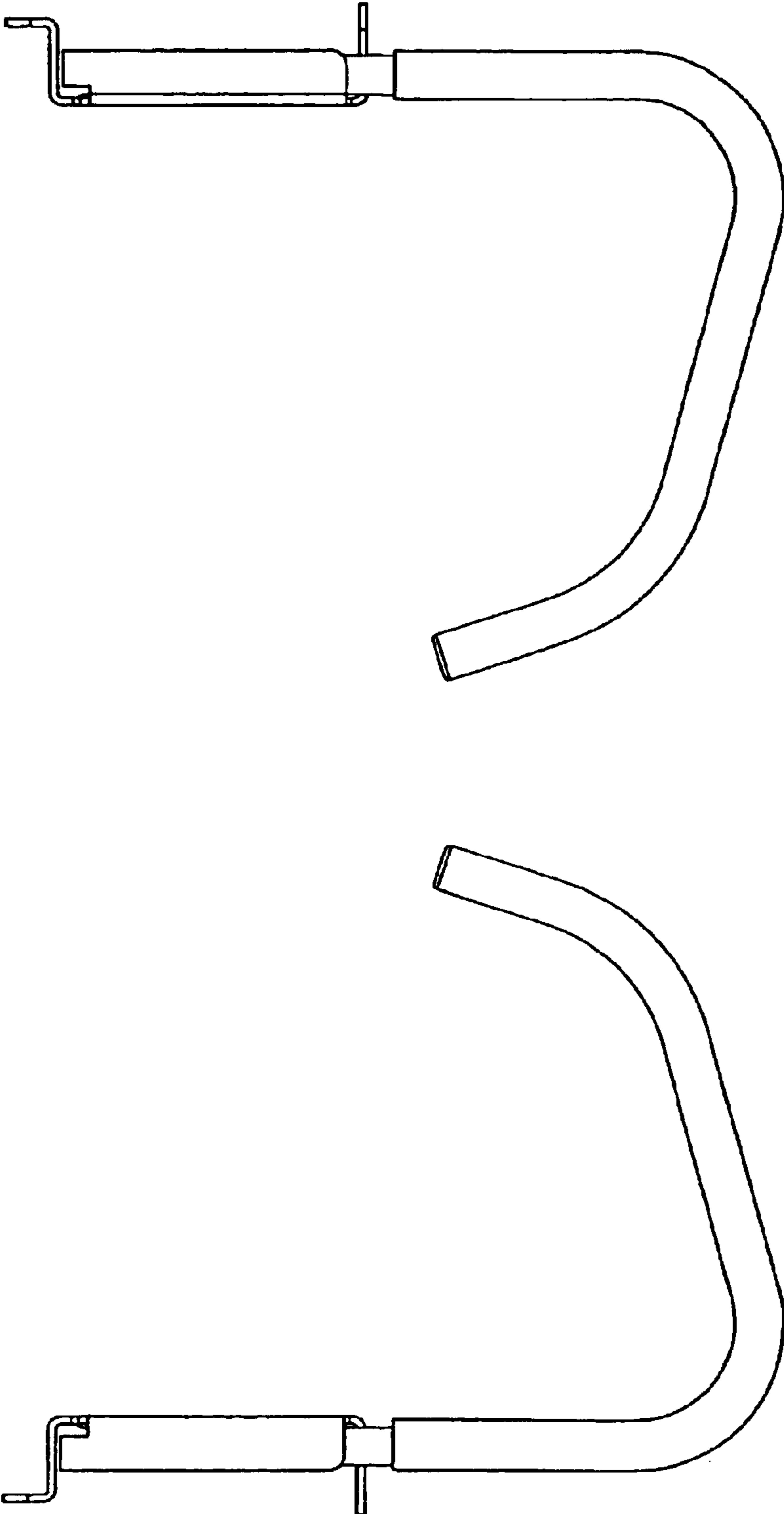


FIGURE 5

FIGURE 4

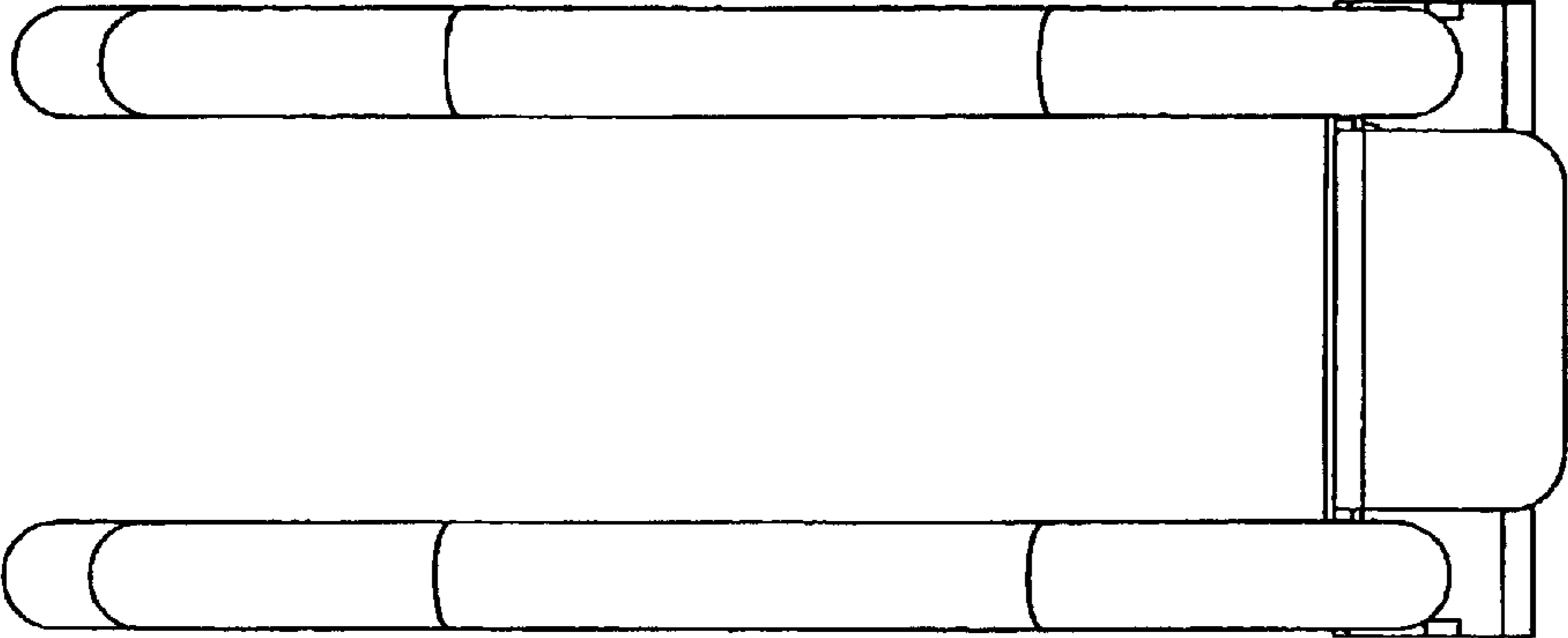


FIGURE 7

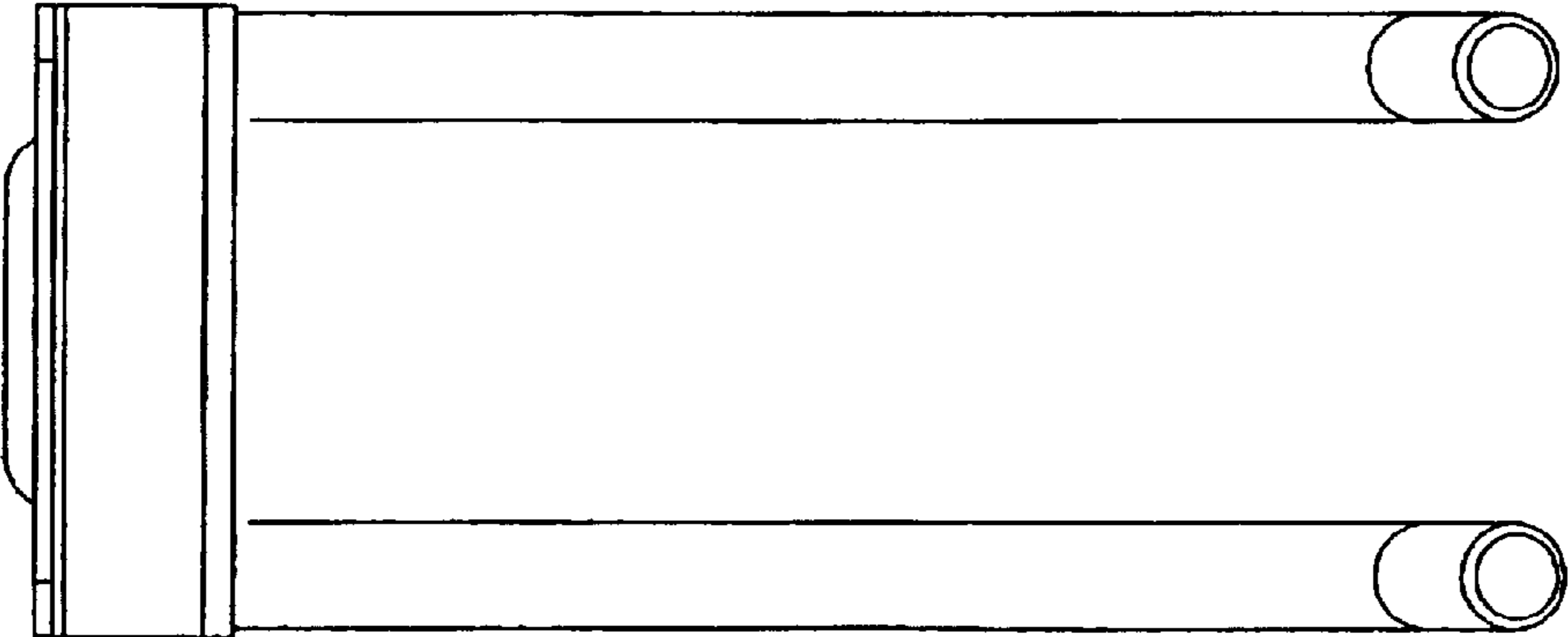


FIGURE 6