



US00D516410S

(12) **United States Design Patent**  
**Johnson**

(10) **Patent No.:** **US D516,410 S**

(45) **Date of Patent:** **\*\* Mar. 7, 2006**

(54) **BOLT SNAP**

D489,247 S \* 5/2004 Oyster et al. .... D8/367  
D503,328 S \* 3/2005 Catlett ..... D8/342

(76) **Inventor:** **Dwight N. Johnson**, 6327 Chorlito Dr.,  
Carlsbad, CA (US) 92009

(\*\*) **Term:** **14 Years**

(21) **Appl. No.:** **29/207,720**

(22) **Filed:** **Jun. 17, 2004**

(51) **LOC (8) Cl.** ..... **08-07**

(52) **U.S. Cl.** ..... **D8/341; D8/367**

(58) **Field of Classification Search** ..... D8/330.331,  
D8/341, 339, 343-345, 349, 367, 371; 70/70-76,  
70/431; 292/24, 95, 110, 118, 288, 240; 24/369-375,  
24/598.1, 598.4, 598.14

See application file for complete search history.

(56) **References Cited**

**U.S. PATENT DOCUMENTS**

3,955,842 A \* 5/1976 Edwards ..... 292/307 R  
D371,300 S \* 7/1996 Mordick ..... D8/343  
5,896,630 A \* 4/1999 Smith et al. .... 24/600.1  
D439,497 S \* 3/2001 Clark et al. .... D8/331  
D445,020 S \* 7/2001 Smith et al. .... D8/367  
6,450,558 B1 \* 9/2002 Ringrose ..... 294/82.2  
D472,452 S \* 4/2003 Chou ..... D8/367

**OTHER PUBLICATIONS**

Universal Mercantile Exchange, Inc.; web page at  
www.umei.com;/hooks/bolt-snaps-1.htm; date unknown,  
prior to present invention.

\* cited by examiner

*Primary Examiner*—Prabhakar Deshmukh

(74) *Attorney, Agent, or Firm*—Greer, Burns & Crain, Ltd.;  
Philip M. Kolehmainen

(57) **CLAIM**

I claim the ornamental design for a bolt snap, as shown.

**DESCRIPTION**

FIG. 1 is a front and right side isometric view of my bolt  
snap;

FIG. 2 is a front view thereof;

FIG. 3 is a rear view thereof;

FIG. 4 is a top view thereof;

FIG. 5 is a bottom view thereof;

FIG. 6 is a right side view thereof; and,

FIG. 7 is a left side view thereof.

**1 Claim, 2 Drawing Sheets**

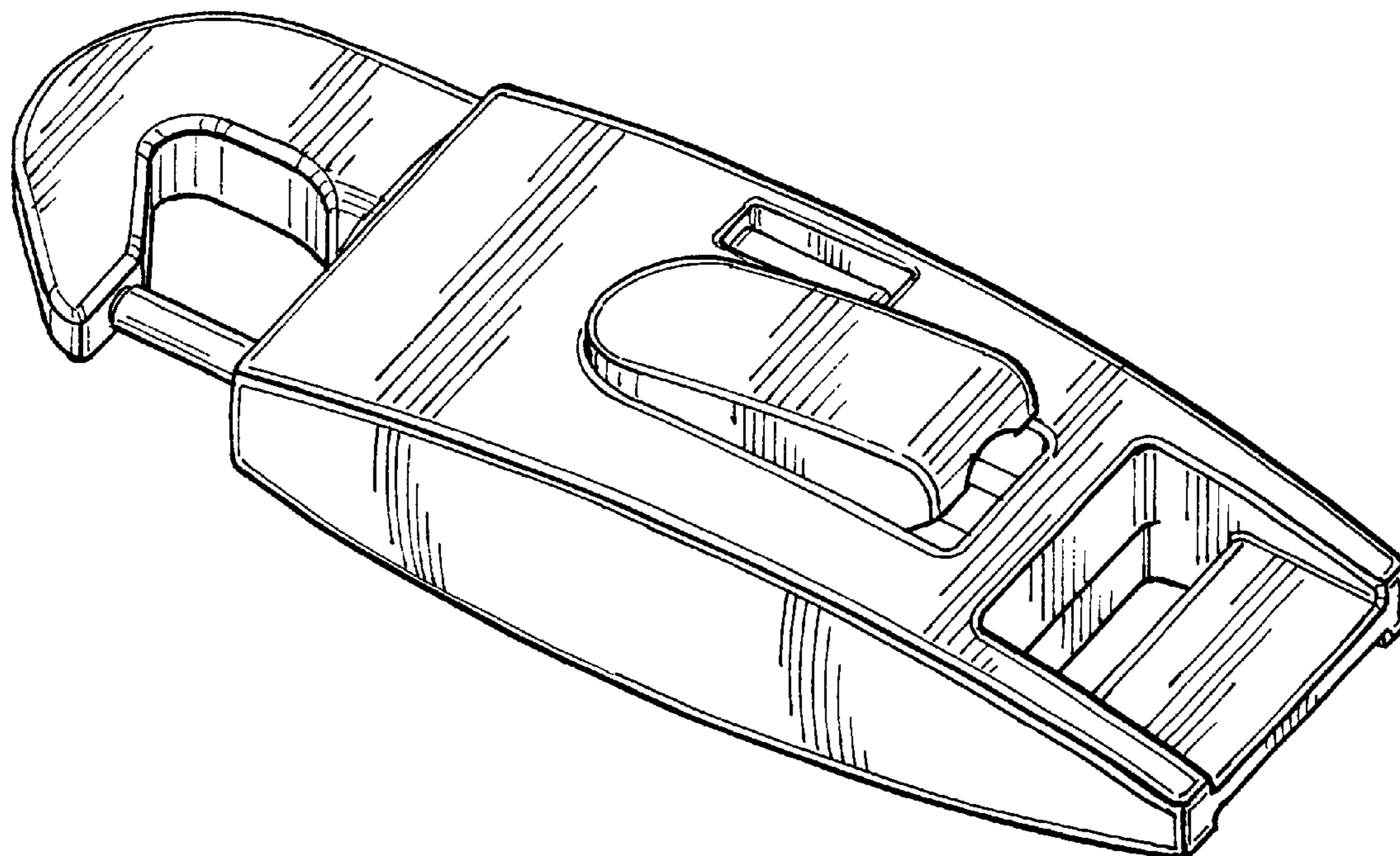


FIG.1

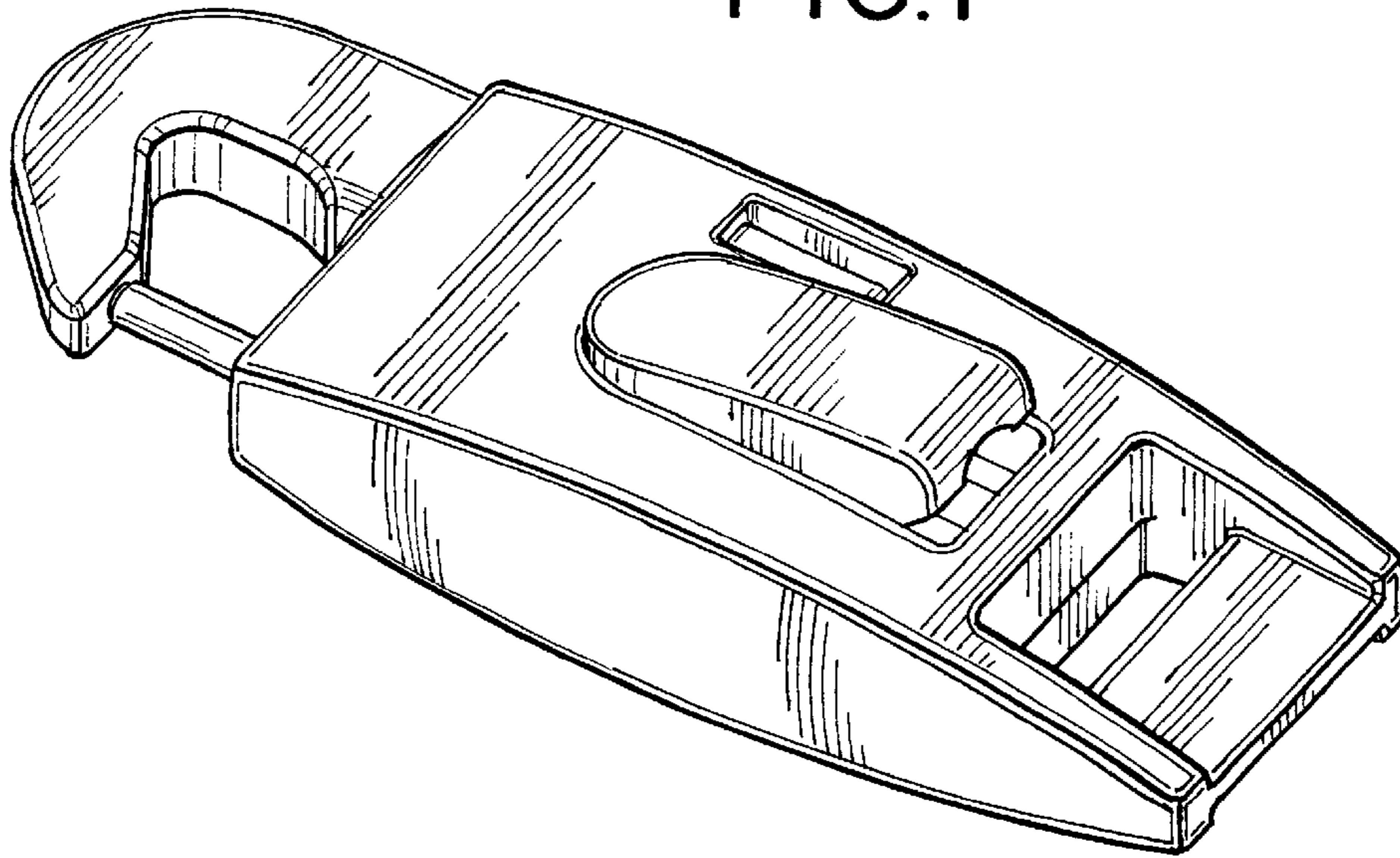


FIG.2

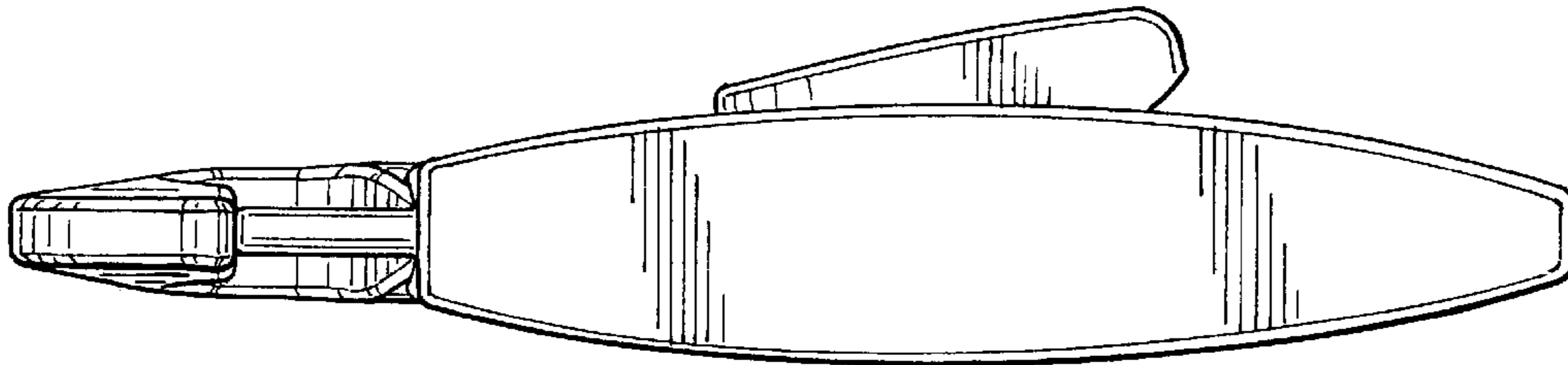


FIG.3

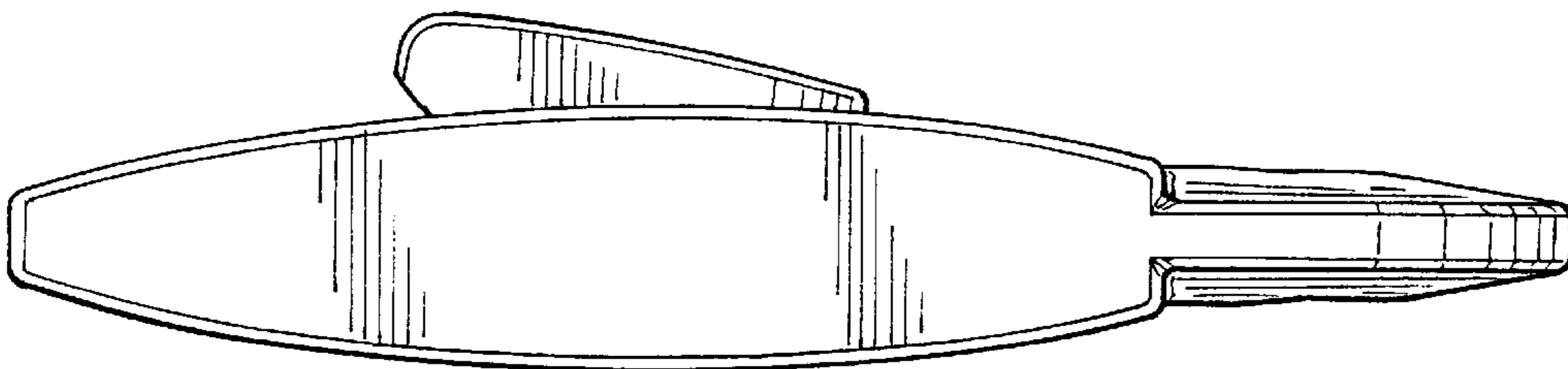


FIG.4

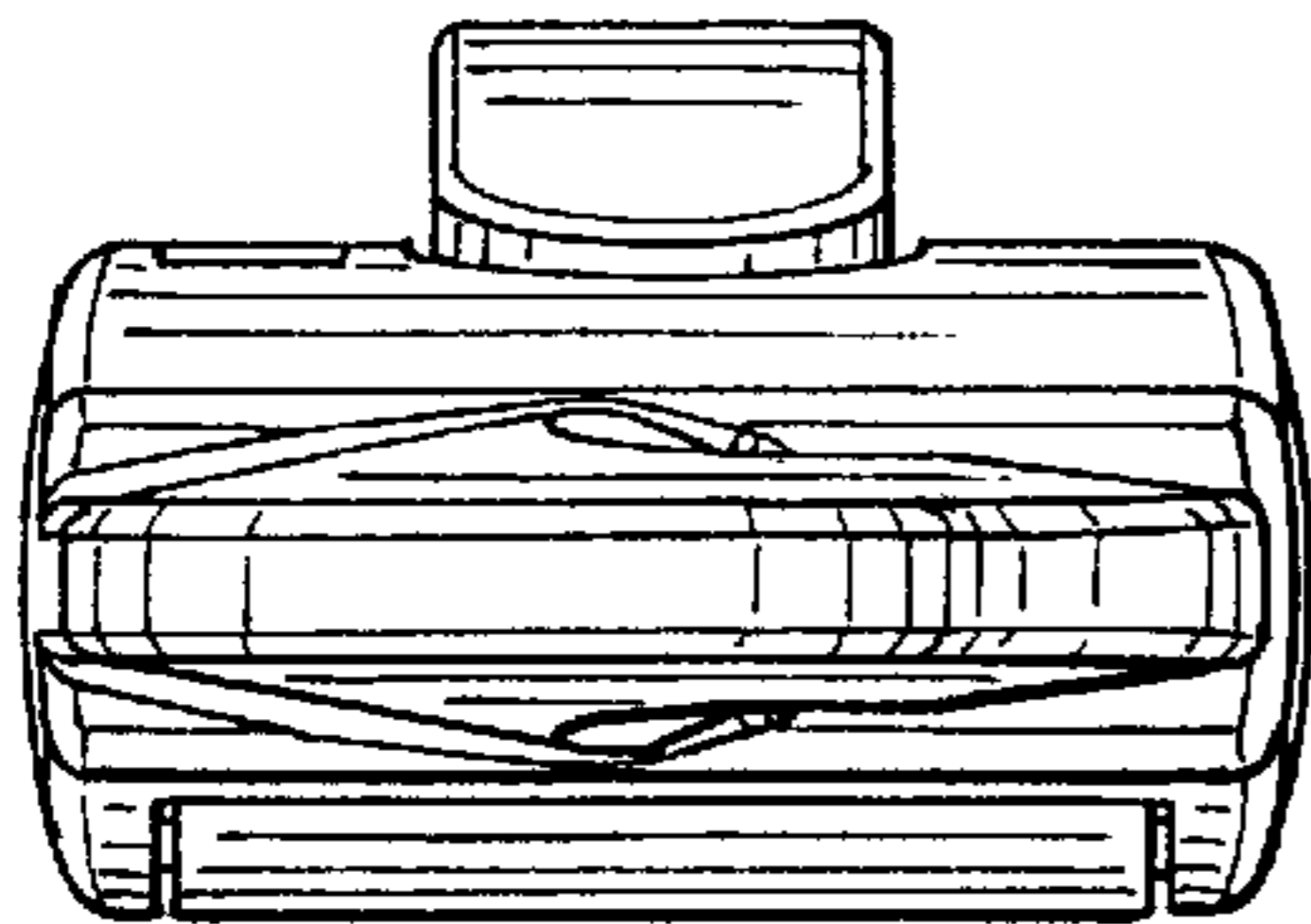


FIG.5

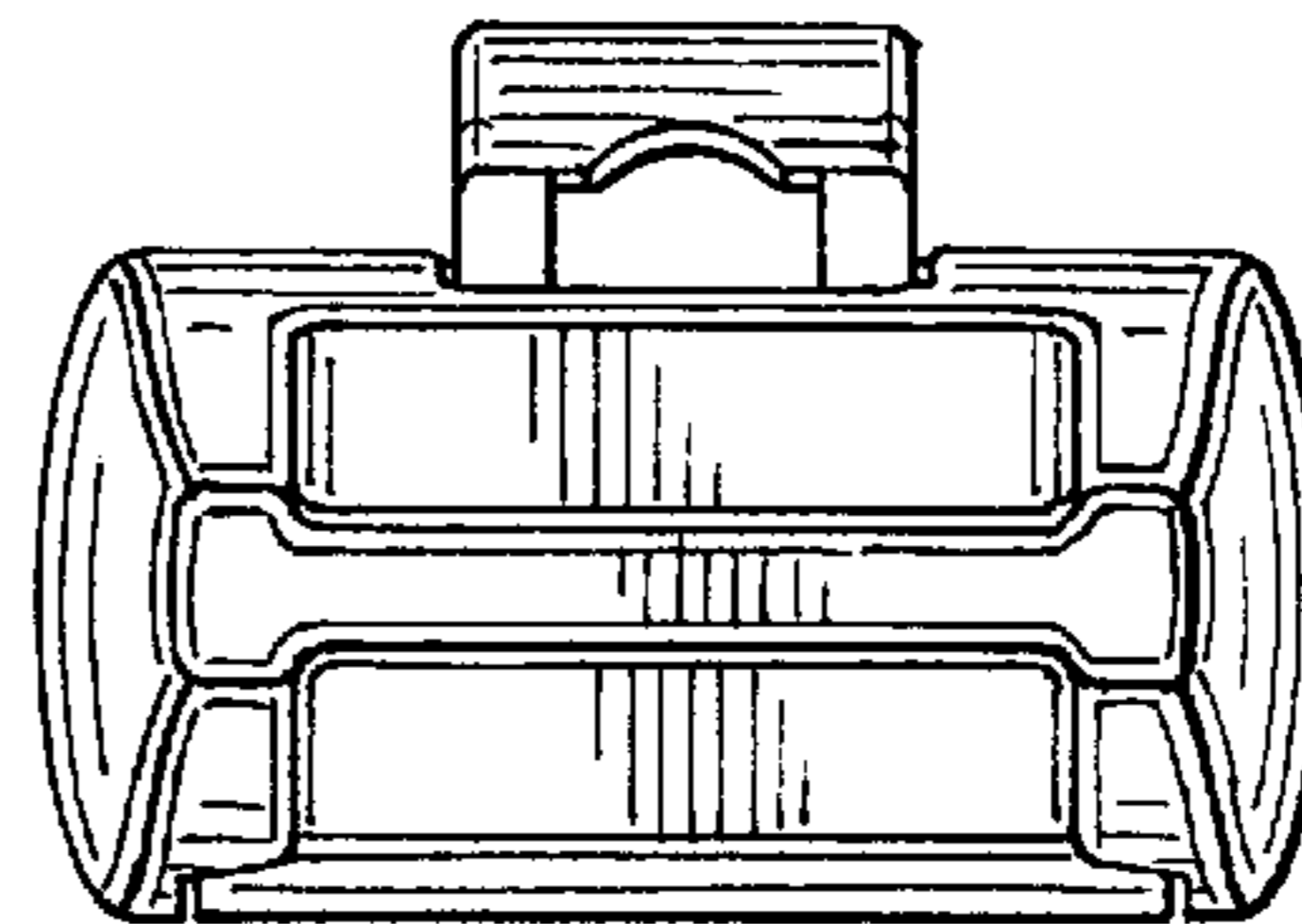


FIG.6

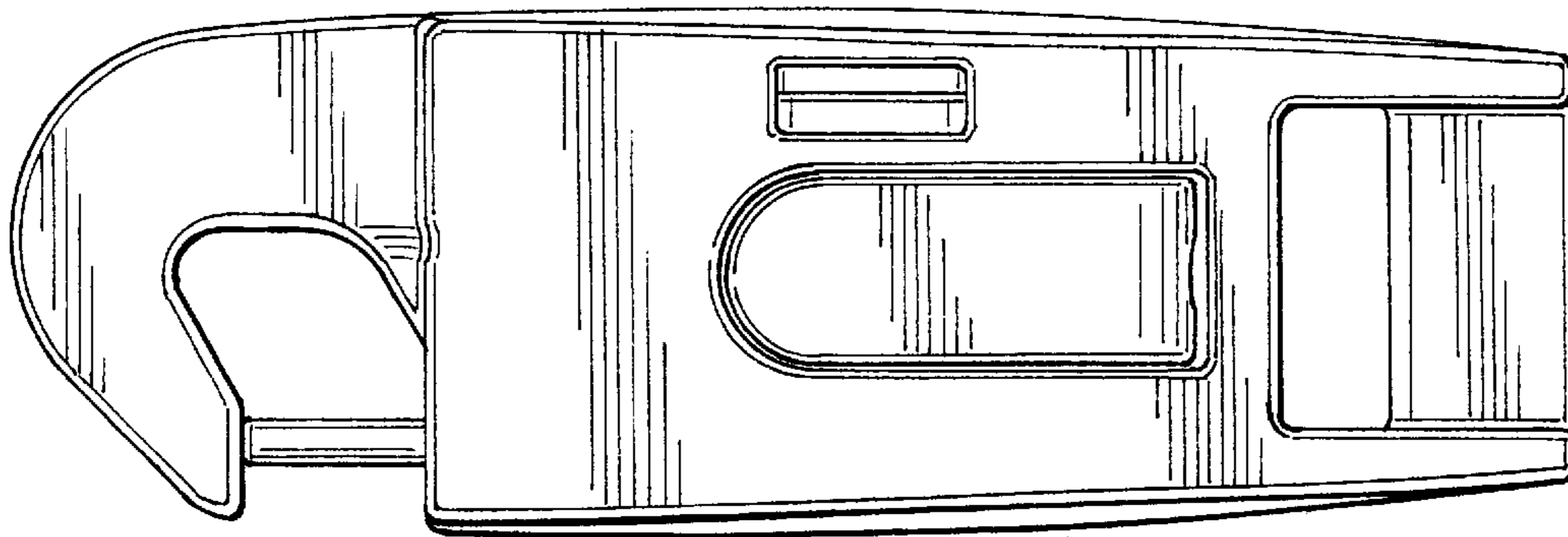


FIG. 7

