



US00D516405S

(12) **United States Design Patent**
Saunders

(10) **Patent No.: US D516,405 S**
(45) **Date of Patent: ** Mar. 7, 2006**

(54) **TOOL HANDLE OR SIMILAR ARTICLE**
(75) **Inventor: James Saunders, Memphis, TN (US)**
(73) **Assignee: Great Neck Saw Manufacturers, Inc., Mineola, NY (US)**
(**) **Term: 14 Years**
(21) **Appl. No.: 29/201,769**
(22) **Filed: Mar. 22, 2004**
(51) **LOC (8) Cl. 08-02**
(52) **U.S. Cl. D8/107; D8/80**
(58) **Field of Classification Search D8/107, D8/80, 75-77, 82-83, 87, 303, 312; D7/393, D7/395, 642, 645; 81/436-440, 177.1, 489, 81/417, 19-23; 16/110.1, 421-422, 426, 16/430-431**
See application file for complete search history.

5,279,140 A * 1/1994 Blake et al. 72/31.01
5,280,740 A 1/1994 Ernst
D378,345 S * 3/1997 Austin et al. D8/107
5,626,062 A 5/1997 Colvin
D399,722 S 10/1998 Eidsmoe
D402,867 S 12/1998 Macor
5,957,009 A 9/1999 McCann
6,000,302 A 12/1999 Chiang
6,003,413 A 12/1999 Macor
D418,385 S 1/2000 Tseng
D422,192 S 4/2000 Cleveland
D422,475 S 4/2000 Su
6,070,503 A 6/2000 Shiao
D427,876 S 7/2000 Rowlay
D429,979 S 8/2000 Chiang
6,138,532 A 10/2000 McCann
6,216,565 B1 4/2001 McCann
6,216,567 B1 4/2001 Hu
6,227,077 B1 * 5/2001 Chiang 81/63.1
6,332,380 B1 12/2001 Macor
6,336,383 B1 1/2002 Hung
D458,679 S 6/2002 Thompson
6,405,621 B1 6/2002 Krivec
6,408,721 B1 * 6/2002 Lee 81/60
6,431,030 B1 8/2002 Kuo

(56) **References Cited**

U.S. PATENT DOCUMENTS

915,463 A 3/1909 Mumma
1,382,492 A 6/1921 Evans
D132,891 S 6/1942 Chapman
2,306,228 A 12/1942 Shaw
D175,025 S * 6/1955 Kowalexek D8/82
2,981,389 A 4/1961 Kilness
3,145,594 A 8/1964 Peters
D202,570 S 10/1965 Depuy
3,250,157 A 5/1966 Badger
3,713,356 A 1/1973 Knudsen
4,285,096 A * 8/1981 Swaim 16/422
4,324,308 A * 4/1982 Clendenen 180/315
4,711,145 A 12/1987 Inoue
4,762,344 A * 8/1988 Perkins et al. 285/148.19
4,770,071 A 9/1988 Steier
4,777,852 A 10/1988 Herman
4,905,548 A 3/1990 Colace
4,964,192 A * 10/1990 Marui 16/421
4,986,147 A 1/1991 Cooper
5,174,176 A 12/1992 Krivec
D336,225 S 6/1993 Lin
D340,628 S 10/1993 Chow

(Continued)

Primary Examiner—Pamela Burgess
(74) *Attorney, Agent, or Firm*—Joseph J. Previto

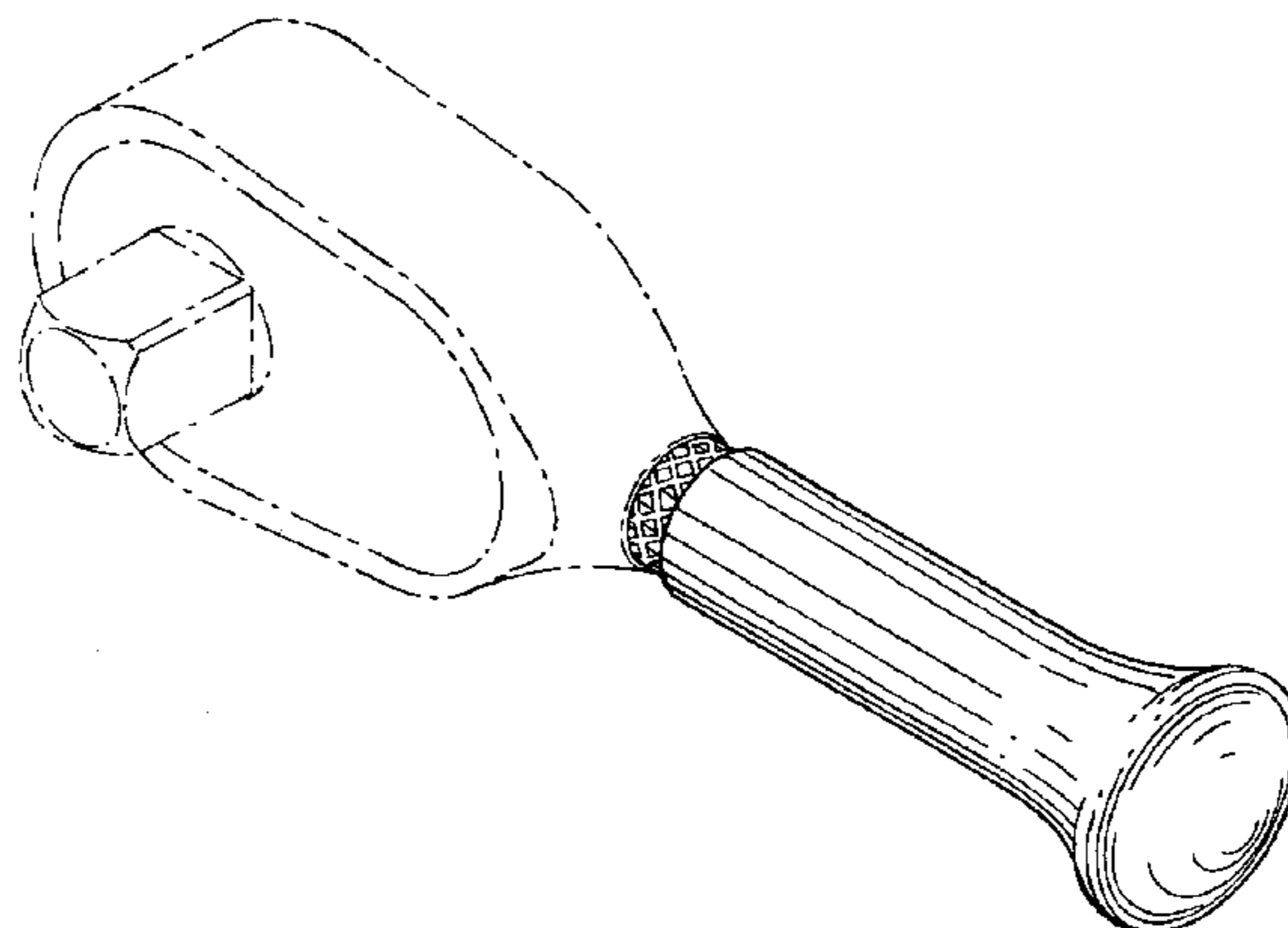
(57) **CLAIM**

The ornamental design of a tool handle or similar article, substantially as shown and described.

DESCRIPTION

FIG. 1 is a perspective view of a tool handle or similar article showing my new design.
FIG. 2 is a side view thereof.
FIG. 3 is a top end view thereof.
FIG. 4 is a bottom view thereof.
FIG. 5 is a front end view thereof; and,
FIG. 6 is a rear end view thereof.
The broken lines shown in the figures are for environmental purposes only and form no part of the claimed design.

1 Claim, 3 Drawing Sheets



US D516,405 S

Page 2

U.S. PATENT DOCUMENTS

6,431,031 B1	8/2002	Hu	RE38,093 E	4/2003	Chiou
6,435,062 B1	8/2002	McCann	6,543,316 B2	4/2003	Daigle
D463,244 S	9/2002	Chen	6,557,442 B1	5/2003	Owoc
6,457,387 B1	10/2002	Hu	6,568,299 B2	5/2003	Hu
D465,987 S	11/2002	Lin	D476,203 S	6/2003	Mahan
D468,182 S	1/2003	Thompson	6,588,304 B2	7/2003	Kady
D472,115 S	3/2003	Davidson	D481,612 S	* 11/2003	Tsai D8/107
D472,116 S	3/2003	Peters			

* cited by examiner

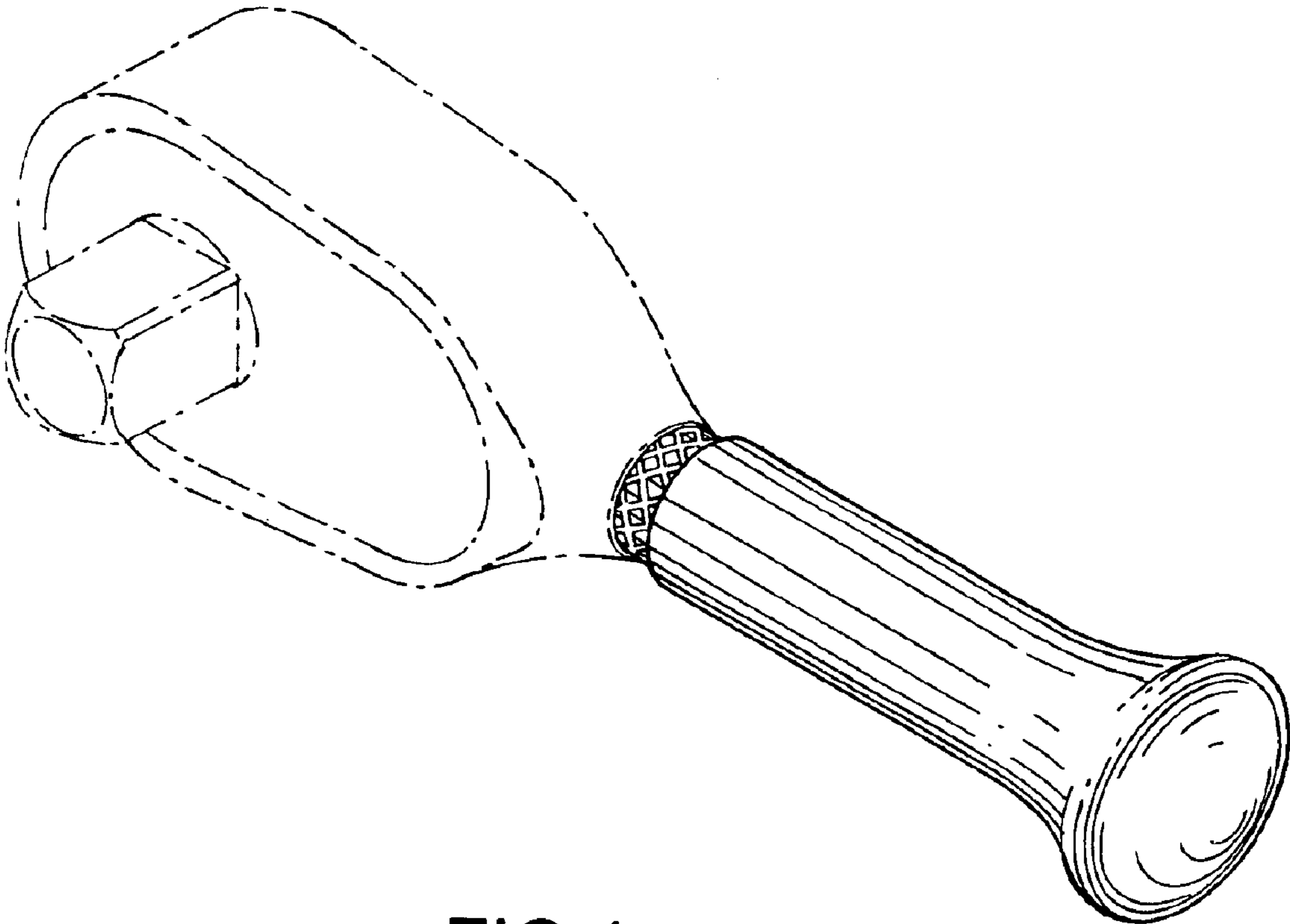


FIG. 1

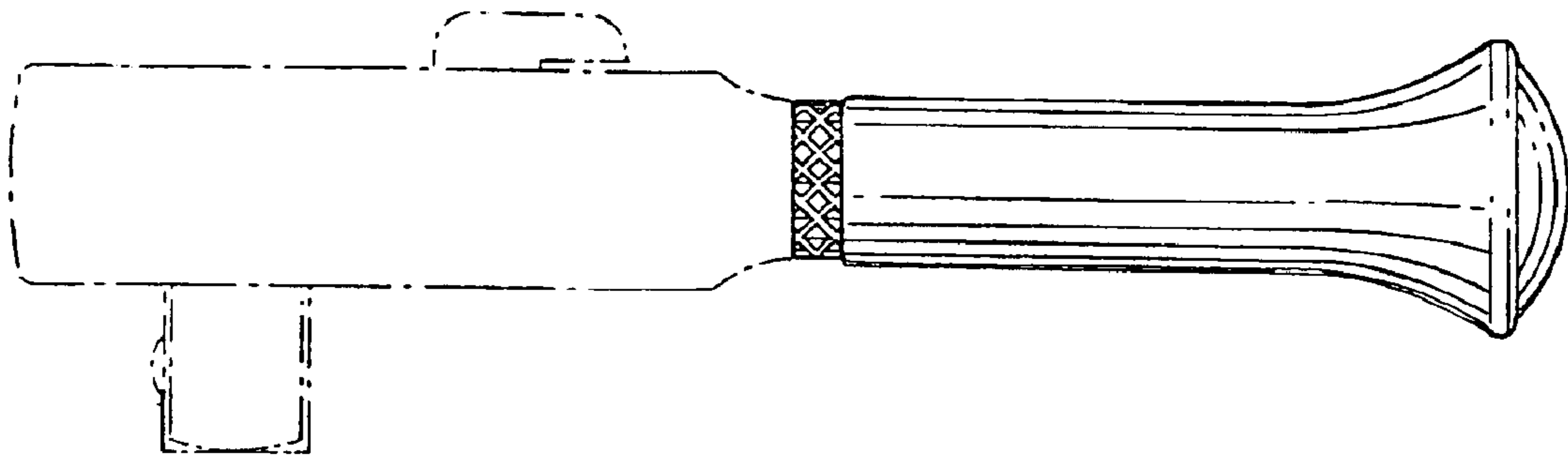


FIG. 2

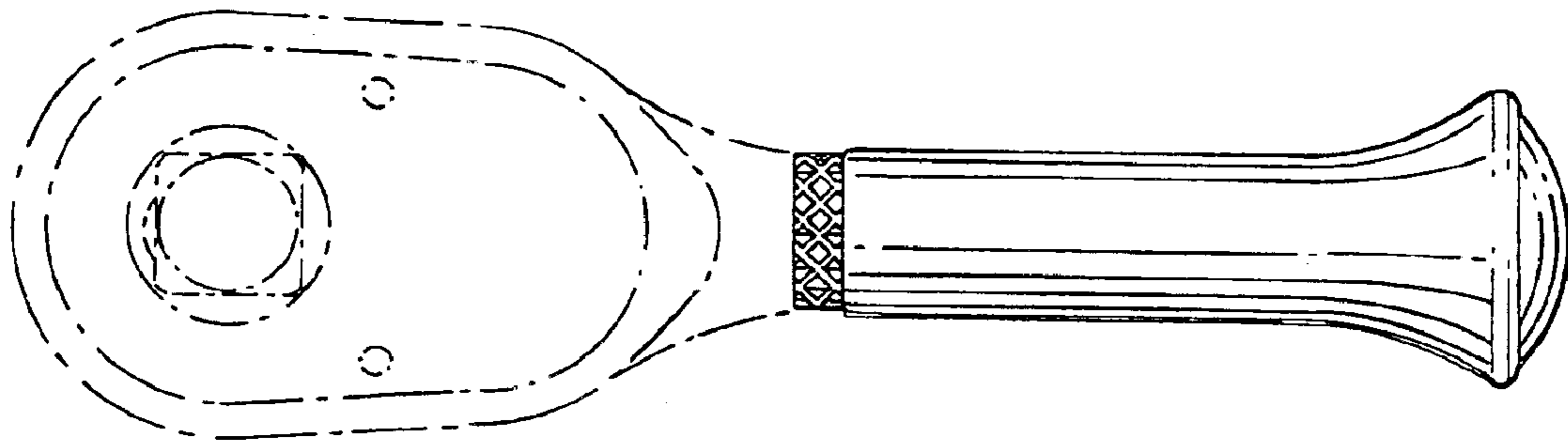


FIG. 3

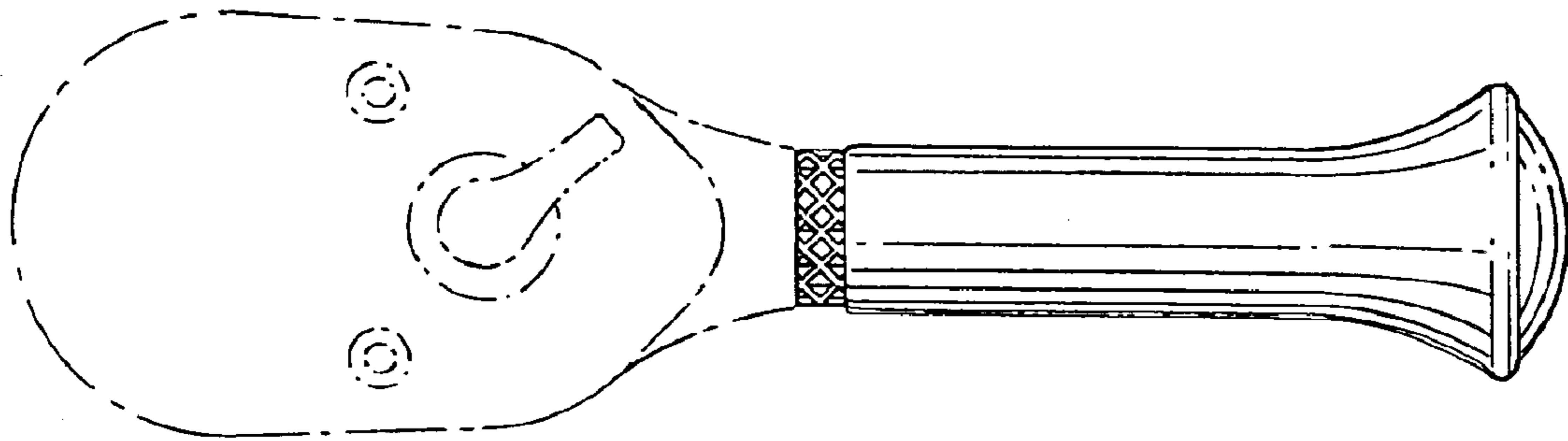


FIG. 4

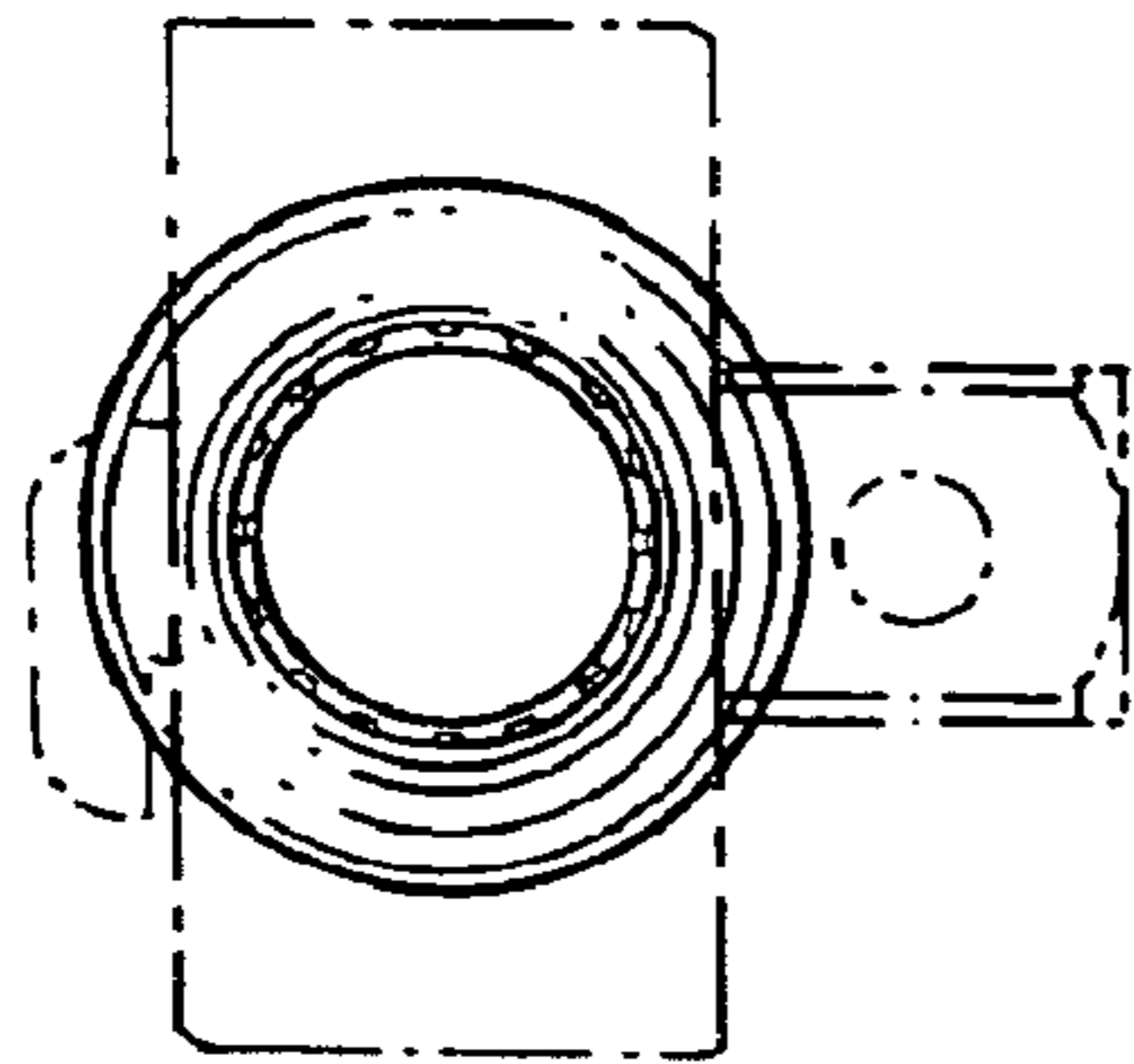


FIG. 5

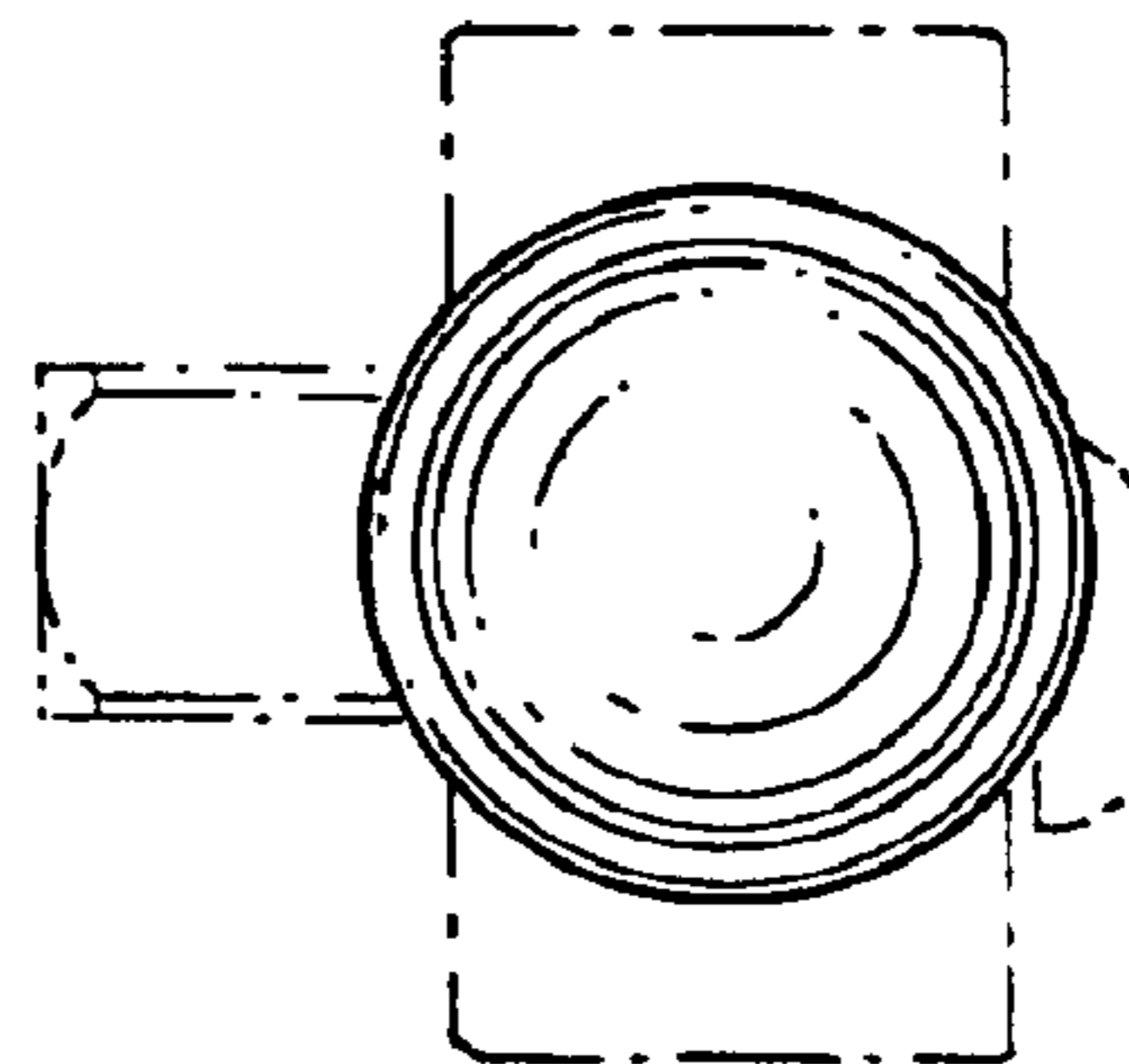


FIG. 6