



US00D516403S

(12) **United States Design Patent**
Ping

(10) **Patent No.:** **US D516,403 S**
(45) **Date of Patent:** **** Mar. 7, 2006**

- (54) **FOLDABLE UTILITY KNIFE**
- (75) Inventor: **Qui Jian Ping**, Hangzhou (CN)
- (73) Assignee: **Great Neck Saw Manufacturers, Inc.**, Mineola, NY (US)
- (**) Term: **14 Years**
- (21) Appl. No.: **29/205,437**
- (22) Filed: **May 14, 2004**

- 3,593,417 A 7/1971 West
- 3,872,591 A 3/1975 Quenot
- 4,017,969 A 4/1977 Stonebraker
- 4,040,181 A 8/1977 Johnson
- 4,261,104 A 4/1981 Cuscovitch
- 4,347,665 A 9/1982 Glesser
- 4,442,600 A 4/1984 Felix-Salichow
- 4,570,341 A 2/1986 Konneker
- 4,604,805 A 8/1986 Krieger
- 4,665,615 A 5/1987 Martinez
- 4,669,188 A 6/1987 Evrell
- 4,719,700 A 1/1988 Taylor, Jr.
- 4,805,303 A 2/1989 Gibbs
- 4,811,486 A 3/1989 Cunningham

Related U.S. Application Data

- (63) Continuation-in-part of application No. 29/196,601, filed on Dec. 31, 2003, now Pat. No. Des. 501,782, which is a continuation-in-part of application No. 29/181,557, filed on May 13, 2003, now Pat. No. Des. 495,939.
- (51) **LOC (8) Cl.** **08-03**
- (52) **U.S. Cl.** **D8/99**
- (58) **Field of Classification Search** D8/98, D8/99, 105, 107; 30/153, 154, 155, 156, 30/157, 158, 159, 160, 161; D22/118
See application file for complete search history.

(Continued)

FOREIGN PATENT DOCUMENTS

- CN 02-2-88379.7 12/2002
- CN 200420008852.7 3/2004
- CN 200420008854.6 3/2004
- CN 200420020589.3 3/2004
- CN 200420020590.6 3/2004
- CN 200420020591.0 3/2004

Primary Examiner—Philip S. Hyder
(74) *Attorney, Agent, or Firm*—Joseph J. Previto

(57) **CLAIM**

The ornamental design for a foldable utility knife, as shown and described.

DESCRIPTION

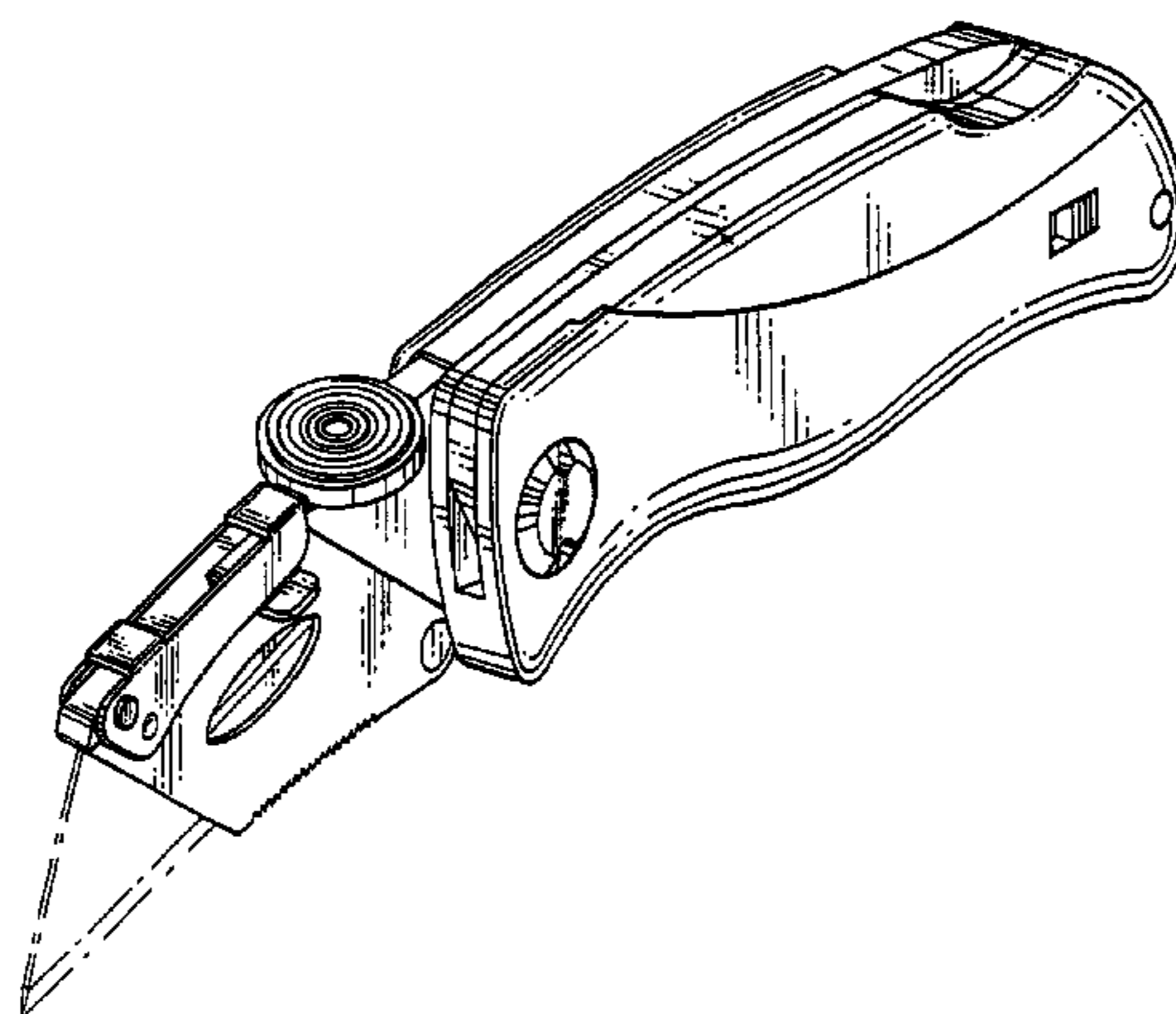
FIG. 1 is a perspective view of my new design showing it in an unfolded position.
 FIG. 2 is a top view thereof.
 FIG. 3 is a side view thereof.
 FIG. 4 is a front view thereof.
 FIG. 5 is a rear view thereof.
 FIG. 6 is a bottom view thereof.
 FIG. 7 is another side view thereof.
 FIG. 8 is a side view thereof showing it in a partially folded position; and,
 FIG. 9 is a side view thereof showing it in a folded position.
 The broken line showing the blade is for illustrated purposes only and forms no part of the claimed design.

1 Claim, 4 Drawing Sheets

(56) **References Cited**

U.S. PATENT DOCUMENTS

- 97,154 A 11/1869 Barnard
- 493,075 A 3/1893 Evertz
- 515,045 A 2/1894 Bultzingslowen
- 584,077 A 6/1897 Jackson
- 596,096 A 12/1897 Watts
- 988,068 A 3/1911 Beardsley
- 1,362,142 A 12/1920 Rohrer
- 1,444,324 A 2/1923 Brooks
- 1,706,251 A 3/1929 Perry
- 1,750,517 A 3/1930 Groh
- 2,134,973 A 11/1938 Harwell
- 2,265,775 A 12/1941 McNamara
- 2,284,128 A 5/1942 Bush
- 2,523,575 A 9/1950 Kassel
- 2,914,850 A 12/1959 Kuhl
- 2,980,996 A 4/1961 Beran
- 3,306,297 A 2/1967 Voorhees
- 3,568,315 A 3/1971 Smith



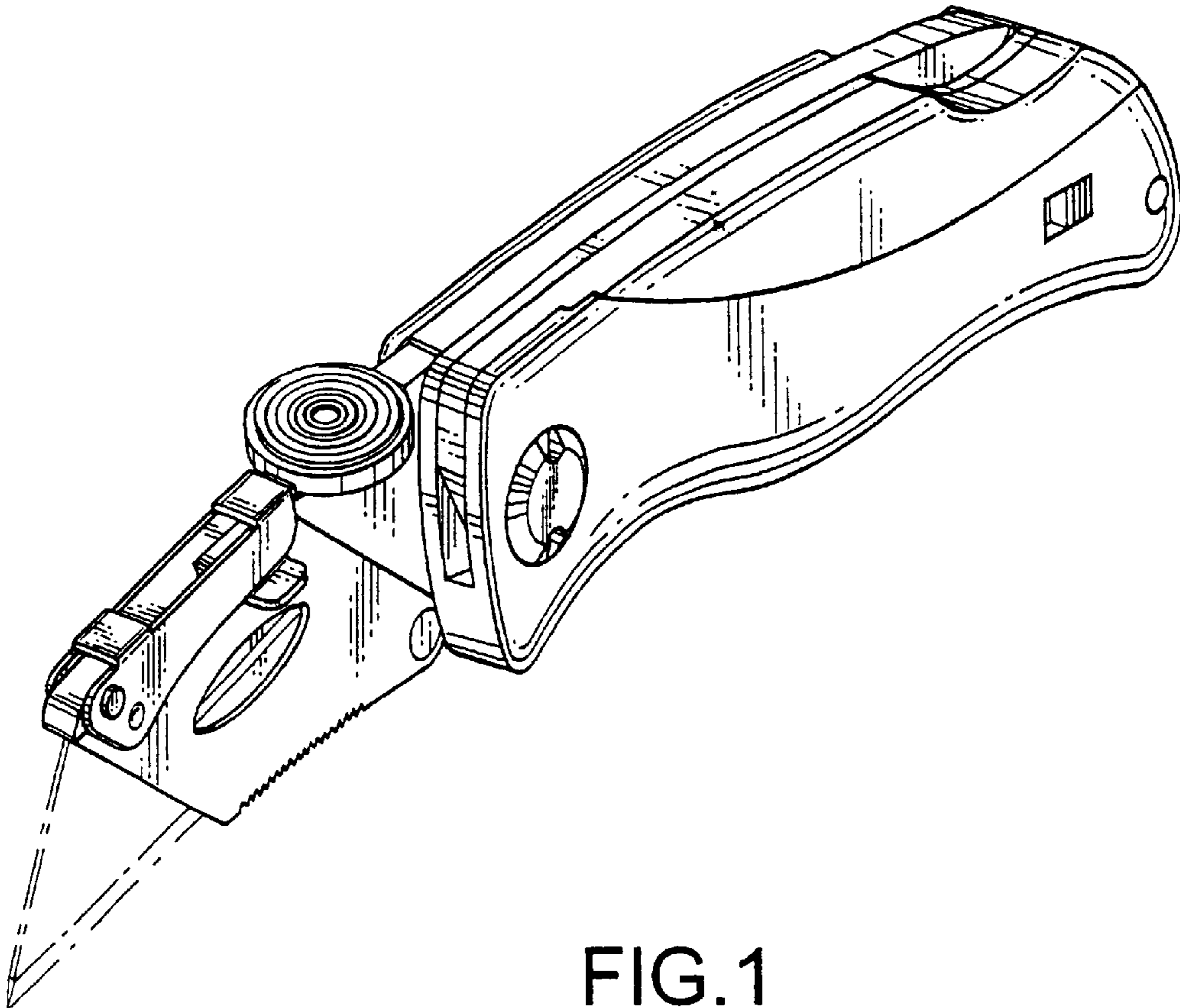
US D516,403 S

Page 2

U.S. PATENT DOCUMENTS

4,920,644 A	5/1990	La Gattuta	6,256,887 B1	7/2001	Osborne	
4,936,014 A	6/1990	Shaanan et al.	6,256,888 B1	7/2001	Shuen	
5,044,079 A	9/1991	Gibbs	6,263,581 B1	7/2001	Forte	
5,095,624 A	3/1992	Ennis	6,354,007 B1	3/2002	Scarla	
5,125,157 A	6/1992	Howard	6,370,778 B1	4/2002	Conable	
5,400,509 A	3/1995	Collins	6,446,341 B1	9/2002	Wang	
5,511,310 A	4/1996	Sessions	6,487,740 B2	12/2002	Seber	
5,769,094 A	6/1998	Jenkins, Jr.	6,574,868 B1	6/2003	Overholt	
5,815,927 A	10/1998	Collins	6,688,003 B2	2/2004	Scarla	
5,826,340 A	10/1998	Hull	D494,437 S *	8/2004	Scarla	D8/99
5,909,930 A	6/1999	Ragland	2002/0059730 A1	5/2002	Flavigny	
5,966,816 A	10/1999	Roberson	2004/0020057 A1	2/2004	Hughes	
5,979,059 A	11/1999	Leatherman	2004/0045171 A1	3/2004	Moizis	
6,170,104 B1	1/2001	Seber	2004/0103541 A1	6/2004	Scarla	
6,170,158 B1	1/2001	Daily				

* cited by examiner



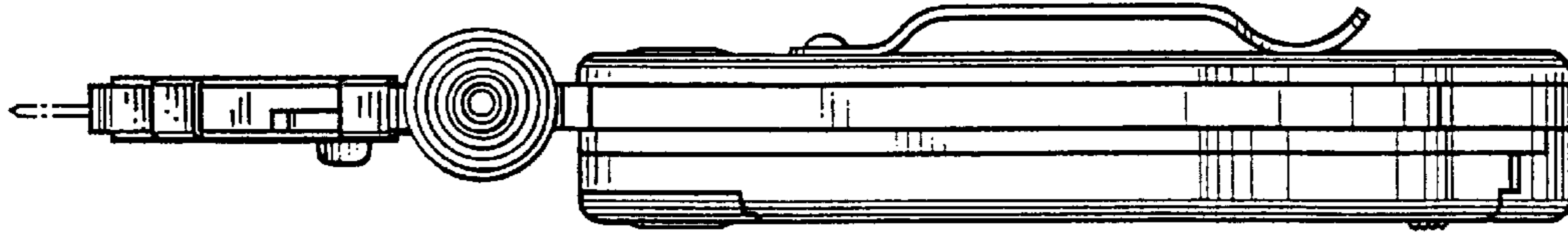


FIG. 2

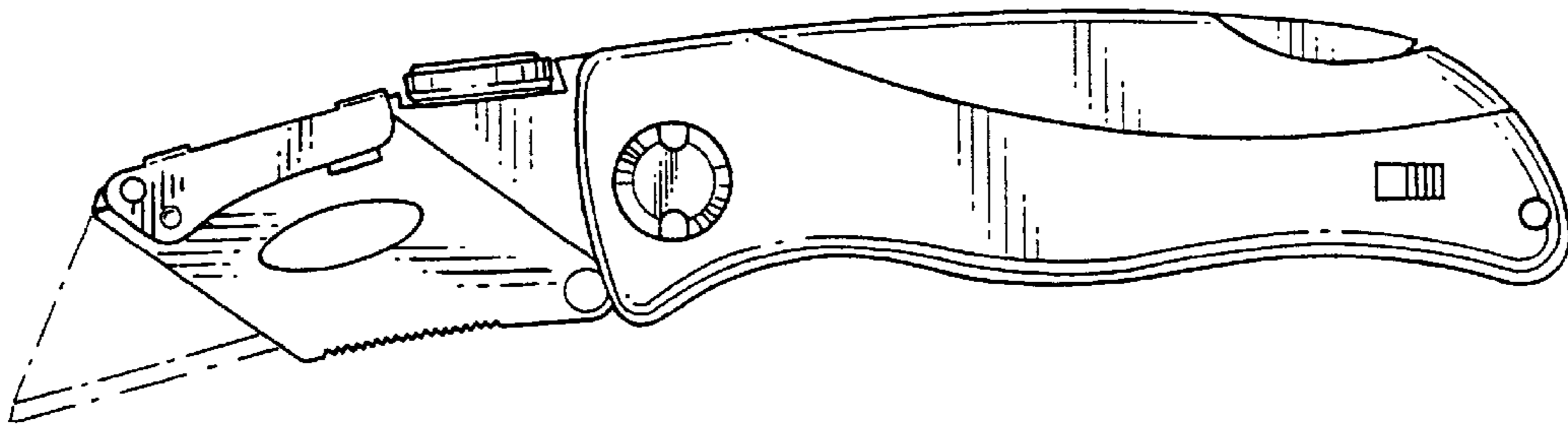


FIG. 3

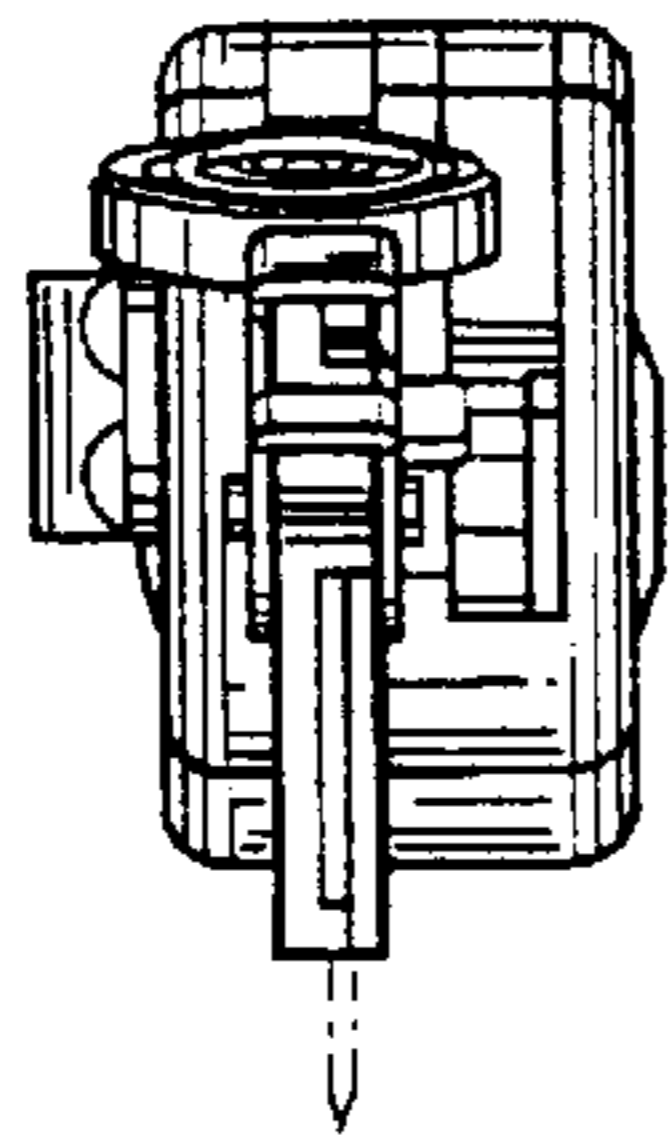


FIG. 4

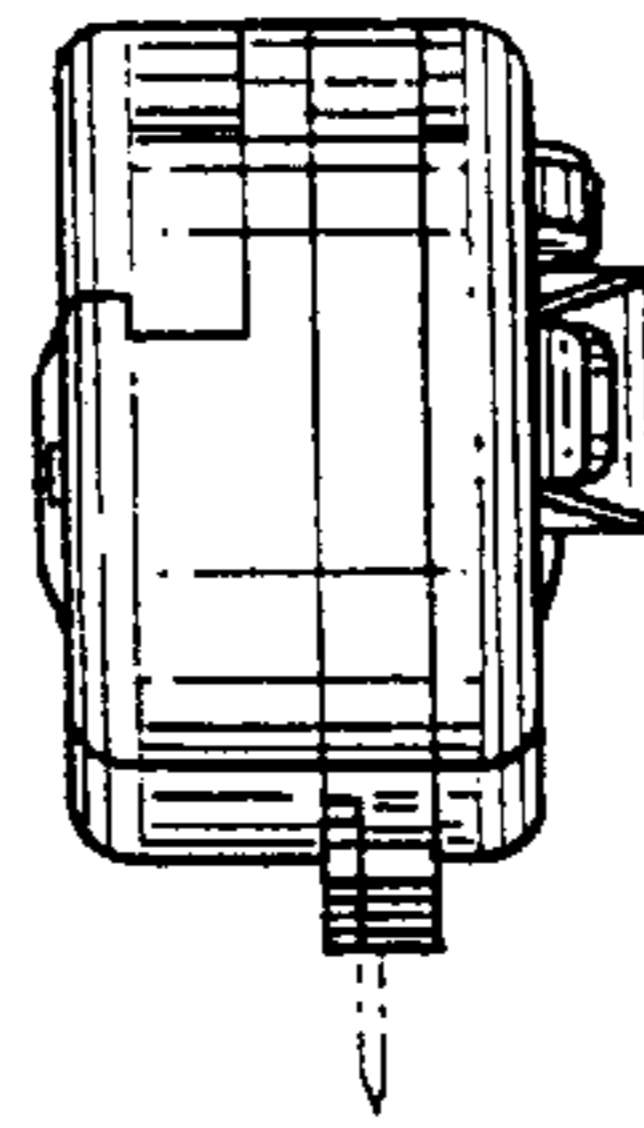


FIG. 5

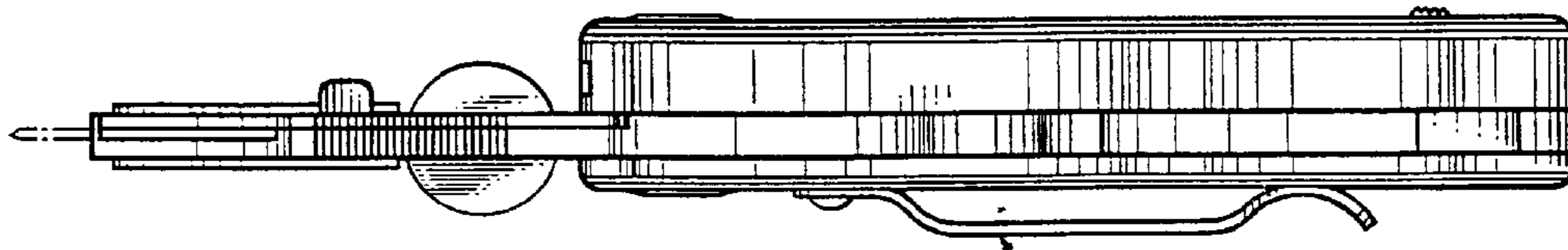


FIG. 6

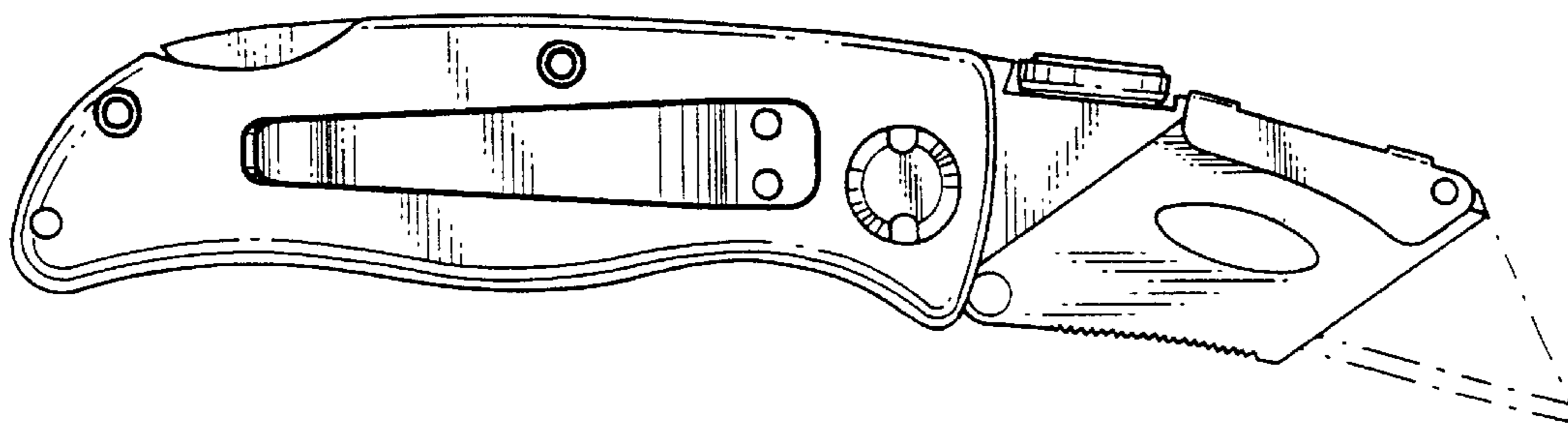


FIG. 7

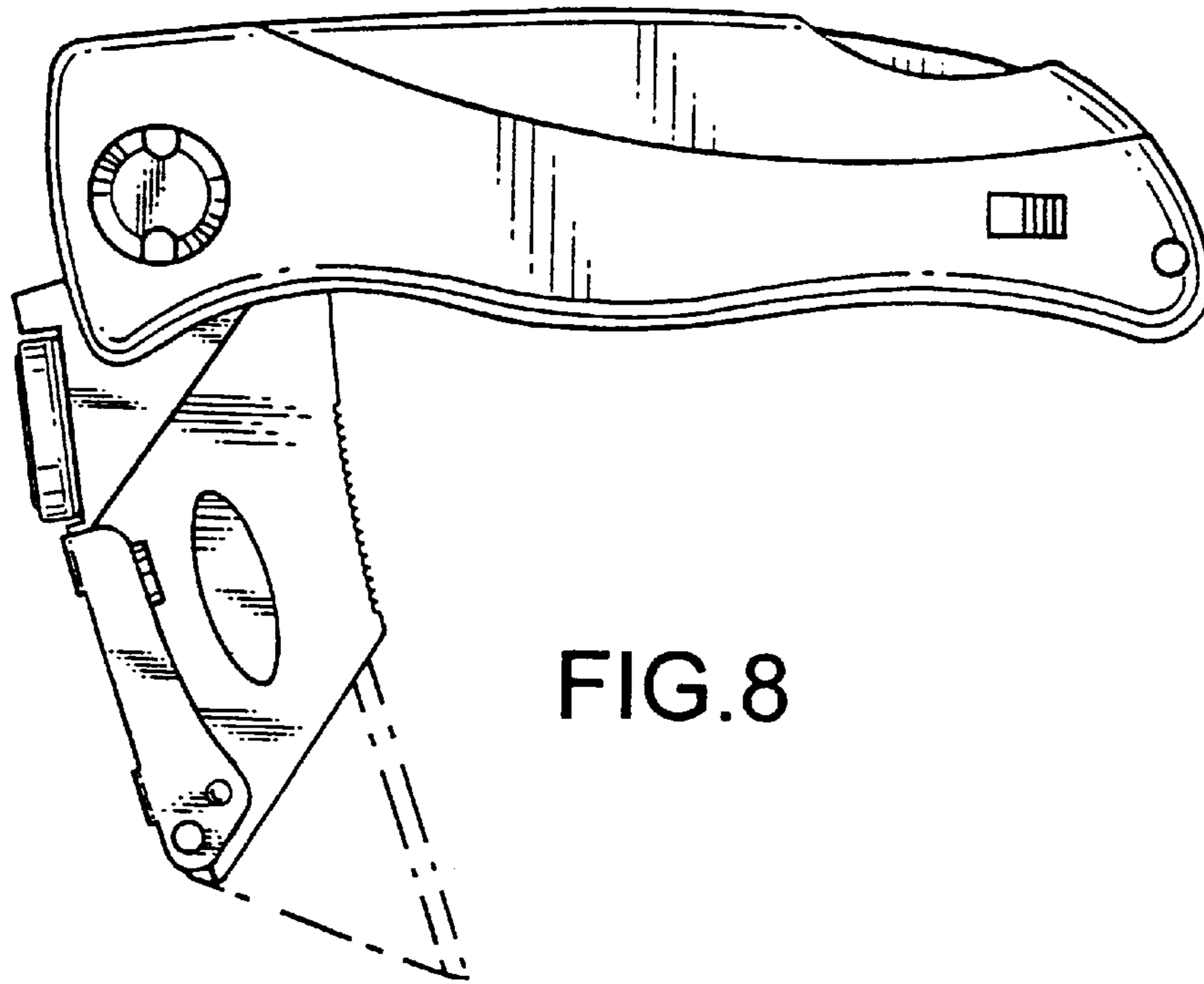


FIG. 8

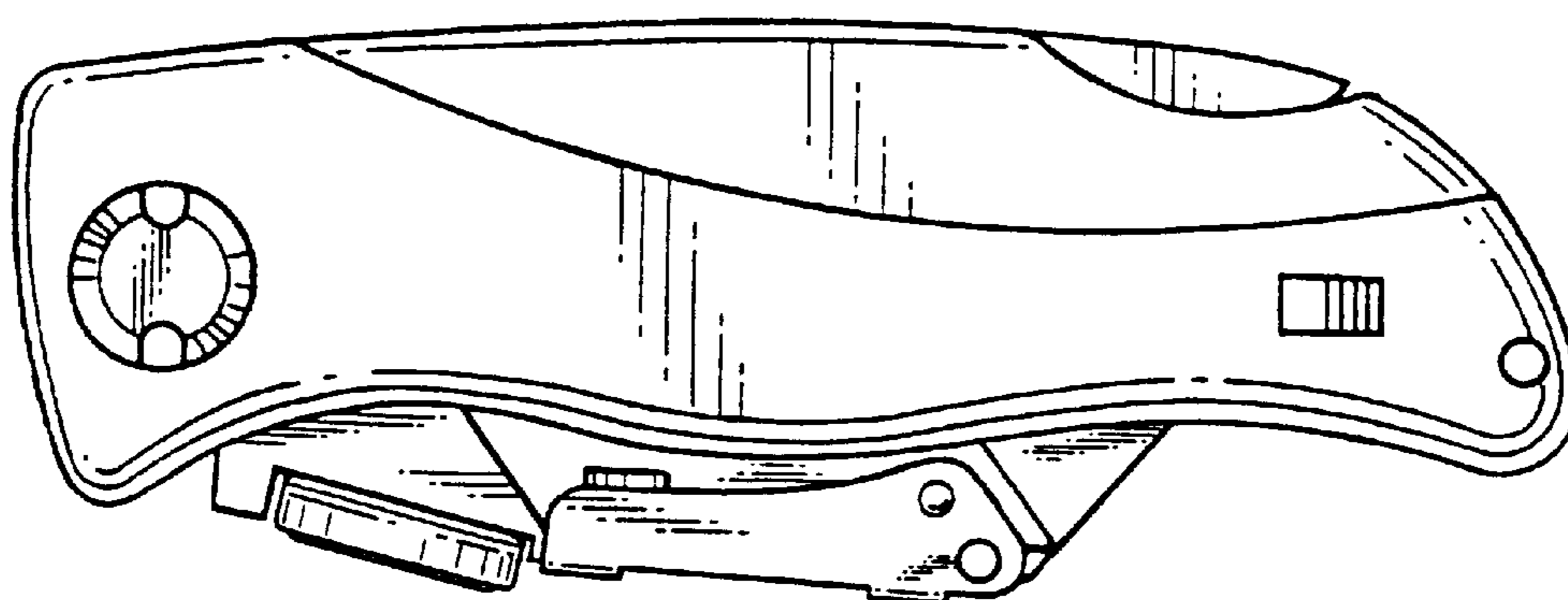


FIG. 9