



US00D516401S

(12) **United States Design Patent** (10) **Patent No.:** **US D516,401 S**
Snider et al. (45) **Date of Patent:** **** Mar. 7, 2006**

(54) **SELF-CENTERING DOOR LOCK GUIDE**

(75) Inventors: **Gregory S. Snider**, Bel Air, MD (US);
James E. Pangerc, Baltimore, MD (US)

(73) Assignee: **Black & Decker Inc.**, Newark, DE (US)

(**) Term: **14 Years**

(21) Appl. No.: **29/195,358**

(22) Filed: **Dec. 10, 2003**

(51) **LOC (8) Cl.** **08-05**

(52) **U.S. Cl.** **D8/71; D8/70**

(58) **Field of Classification Search** D8/71,
D8/14, 70, 72, 73, 74, 349, 354, 373, 395;
D6/553; D15/130, 132, 138, 139, 140, 141;
173/132; 206/349; 211/70.1, 70.6; 248/127,
248/146, 156; 408/1 R, 97, 103, 108, 115 B,
408/115 R

See application file for complete search history.

(56) **References Cited**

U.S. PATENT DOCUMENTS

2,763,299 A	9/1956	Cerf, Jr.	
3,293,954 A	12/1966	Russell et al.	
3,635,571 A	1/1972	Roberts et al.	
3,746,460 A *	7/1973	Lipe	D8/71
3,973,860 A	8/1976	Kern	
4,248,554 A	2/1981	Boucher et al.	
4,981,400 A	1/1991	Stover	
5,222,845 A	6/1993	Goldstein et al.	
D356,271 S *	3/1995	Adamik et al.	D10/62

D392,866 S *	3/1998	Degen et al.	D8/71
6,390,738 B1	5/2002	Fridman	
6,398,465 B1	6/2002	Monge	
D483,241 S *	12/2003	Miller et al.	D8/71
D499,002 S *	11/2004	Troxell	D8/70
6,910,837 B2 *	6/2005	Trettin et al.	408/97
2004/0062618 A1 *	4/2004	Trettin et al.	408/115 R
2004/0131435 A2 *	7/2004	Trettin et al.	408/115 R
2004/0240950 A1 *	12/2004	Trettin et al.	408/115 R
2005/0105979 A1 *	5/2005	Snider et al.	408/115 R
2005/0129472 A1 *	6/2005	Liu et al.	408/115 R

* cited by examiner

Primary Examiner—Gary D. Watson
Assistant Examiner—T. Chase Nelson

(74) *Attorney, Agent, or Firm*—Bruce S. Shapiro; John Yun; Wesley W. Muller

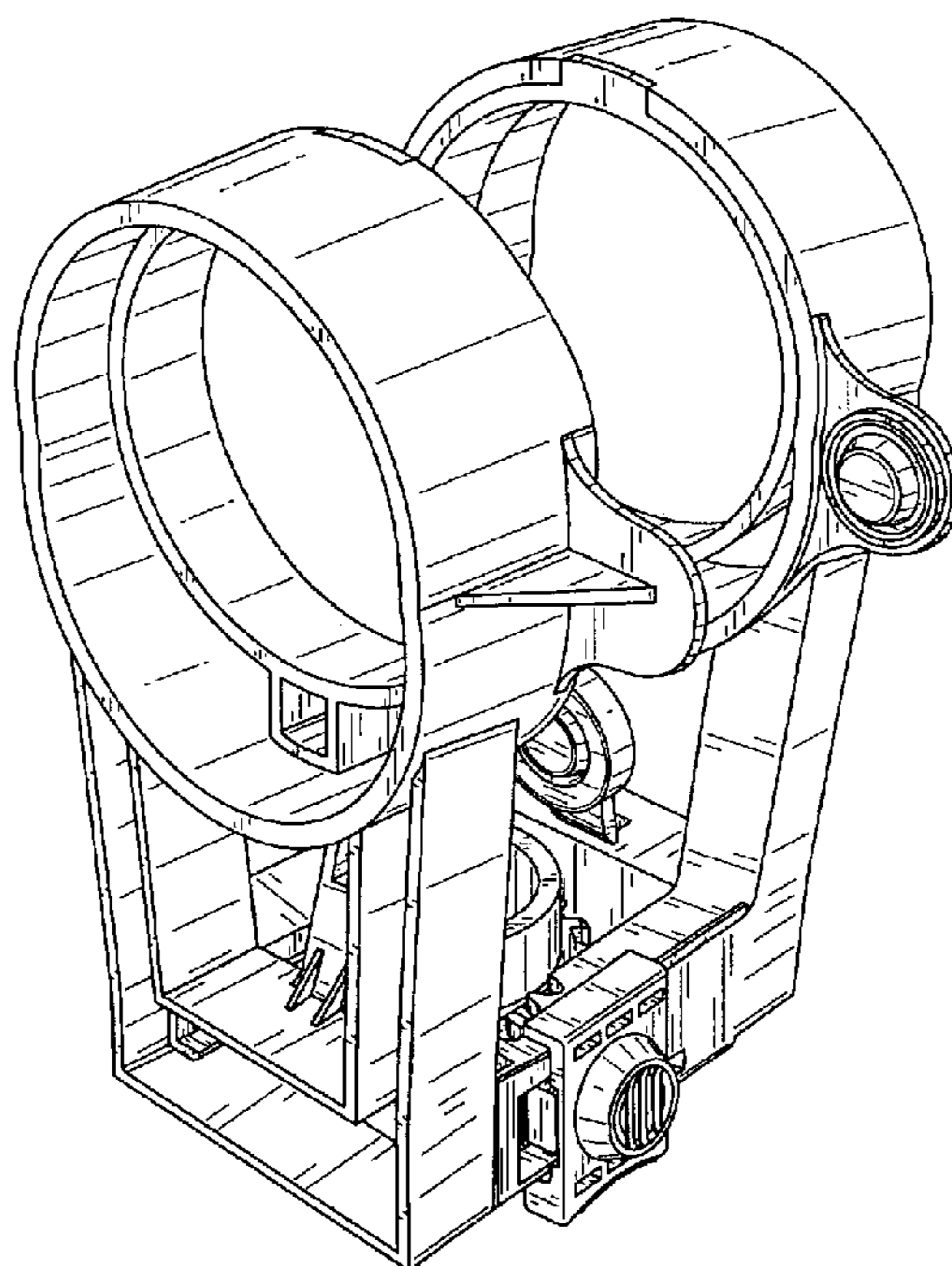
(57) **CLAIM**

The ornamental design for a self-centering door lock guide, as shown and described.

DESCRIPTION

FIG. 1 is a left/front perspective view of a self-centering door lock guide showing my new design in a closed position. FIG. 2 is a front elevational view thereof. FIG. 3 is a rear elevational view thereof. FIG. 4 is a right side elevational view thereof. FIG. 5 is a left side elevational view thereof. FIG. 6 is a top plan view thereof. FIG. 7 is a bottom plan view thereof; and, FIG. 8 is a left/front perspective view thereof showing the design in an open position.

1 Claim, 7 Drawing Sheets



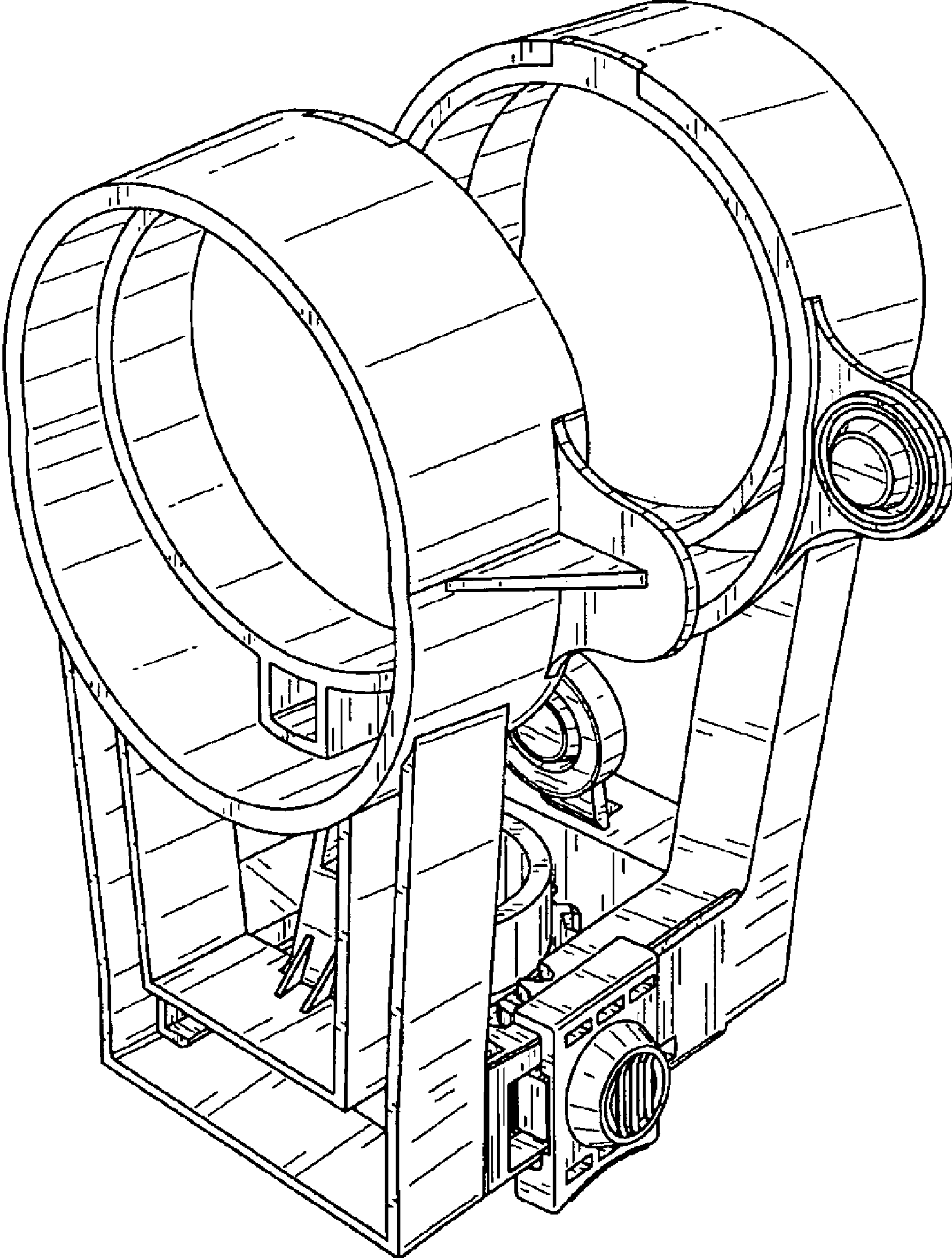


FIG. 1

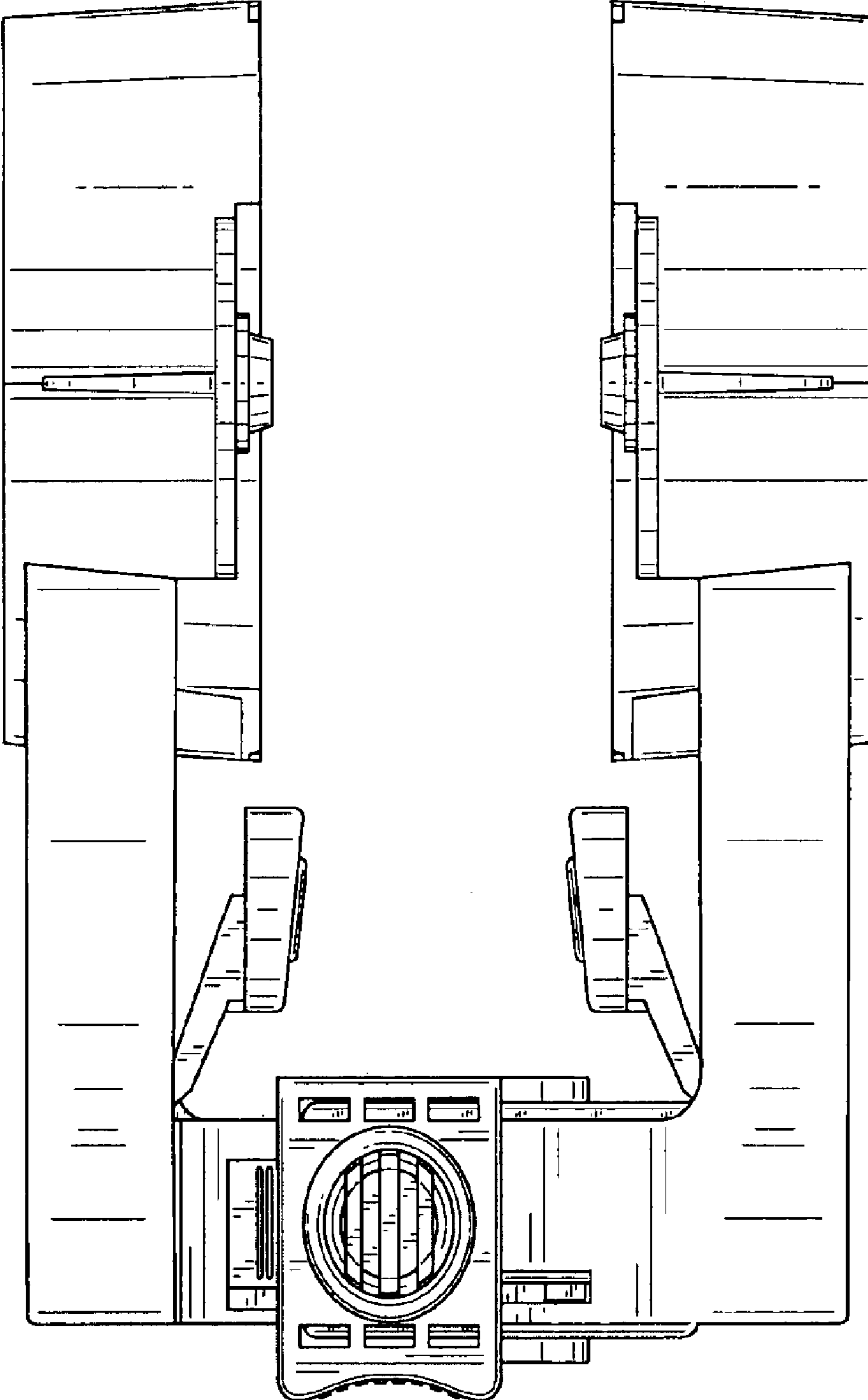


FIG. 2

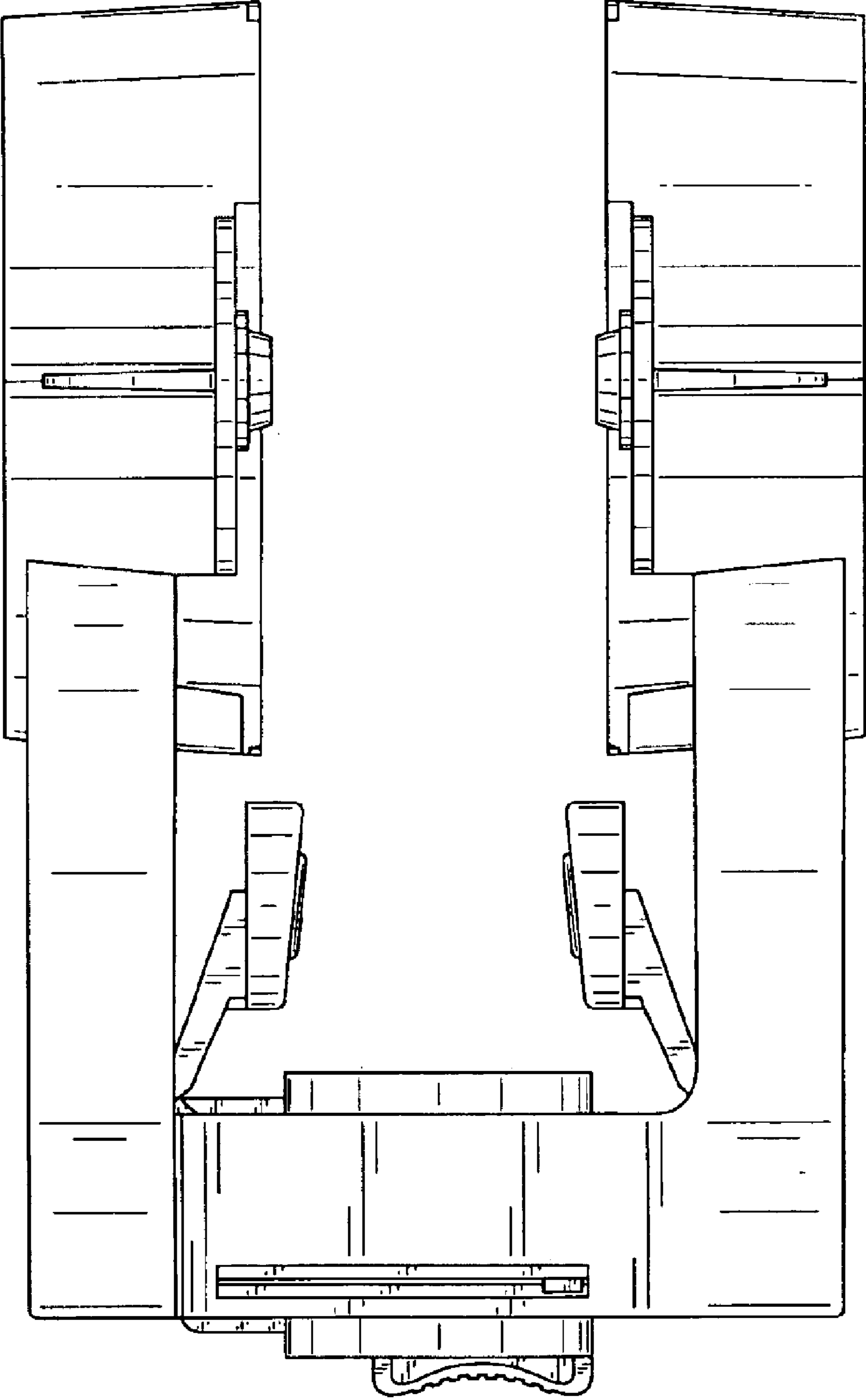


FIG. 3

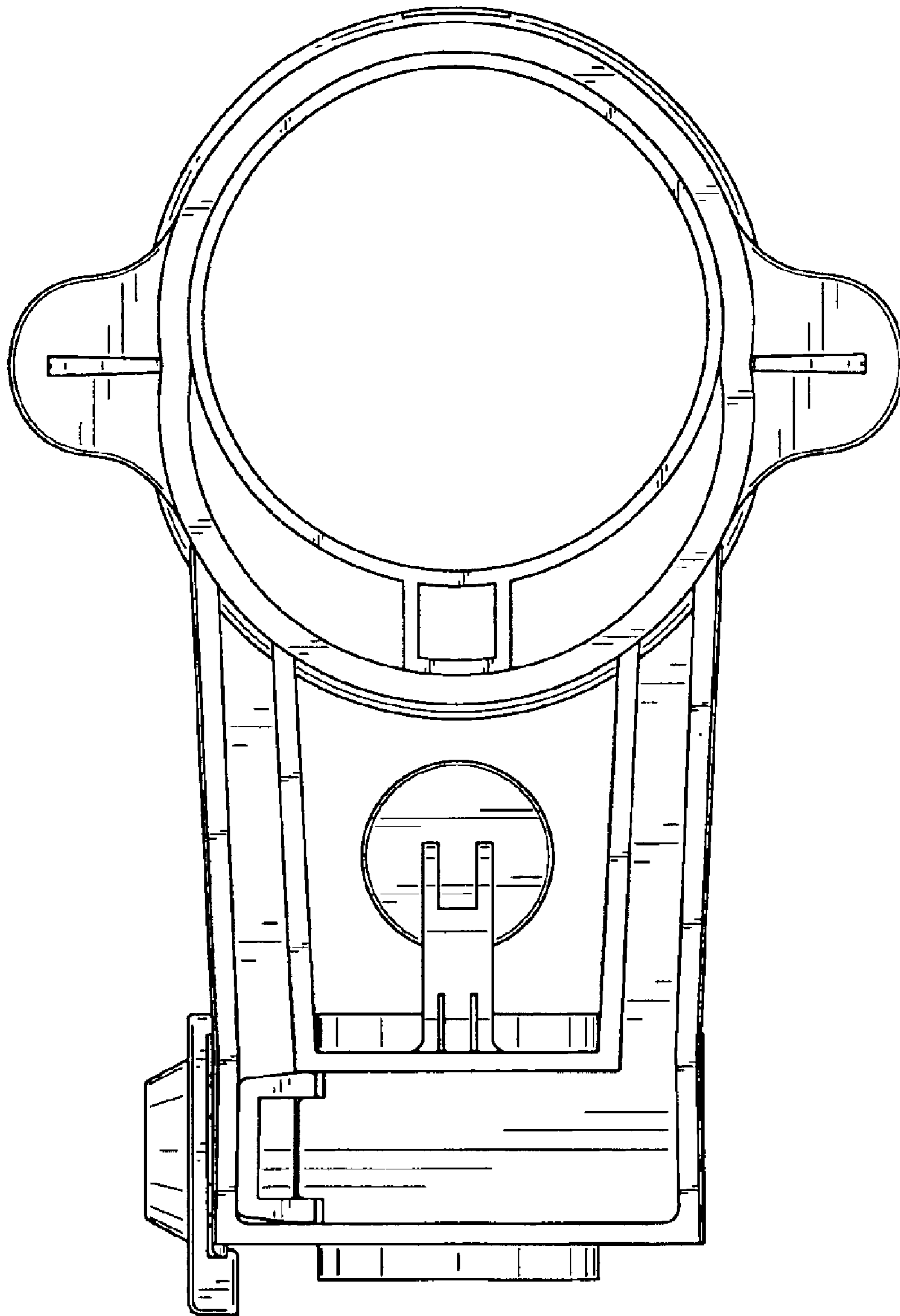


FIG. 4

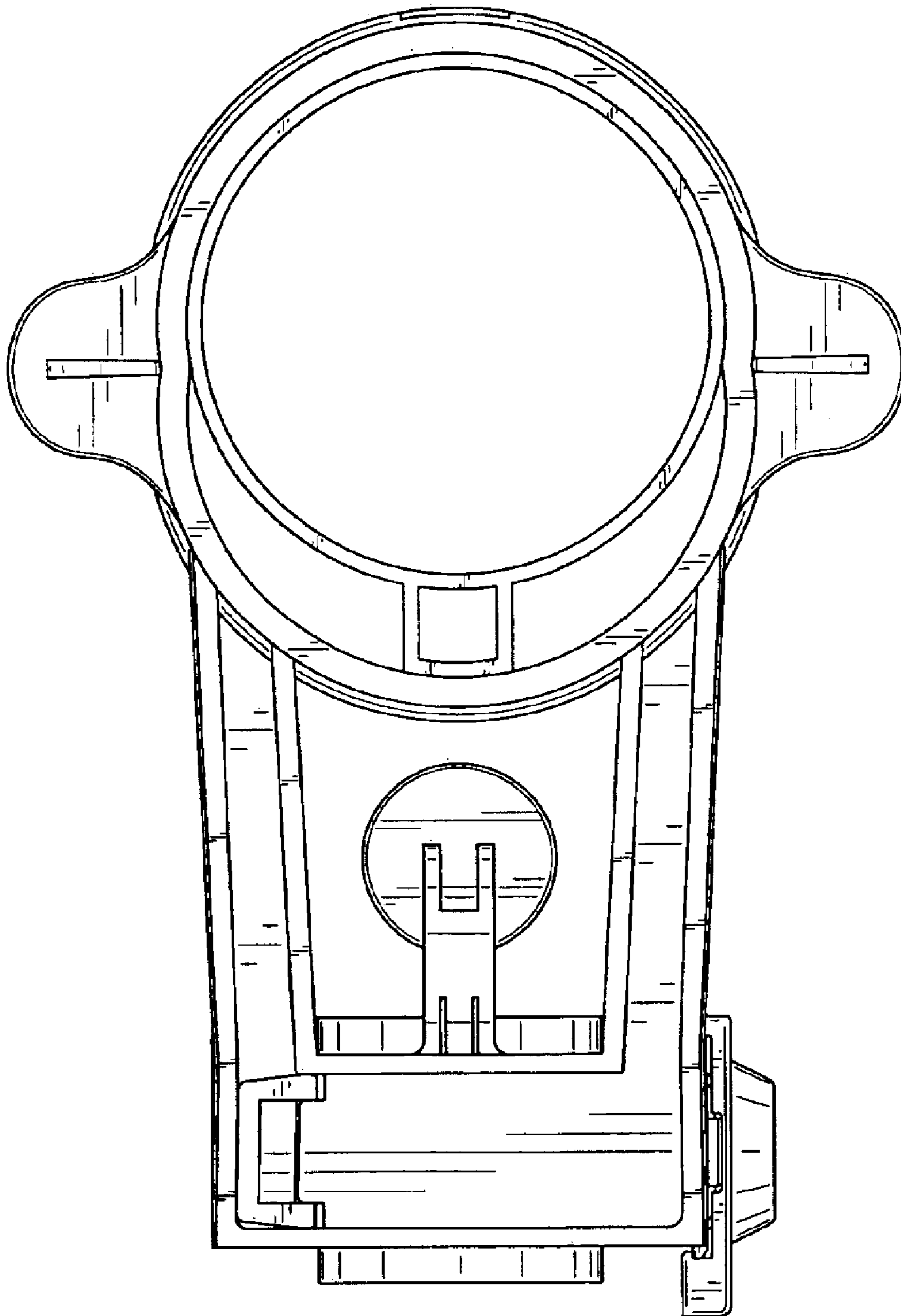


FIG. 5

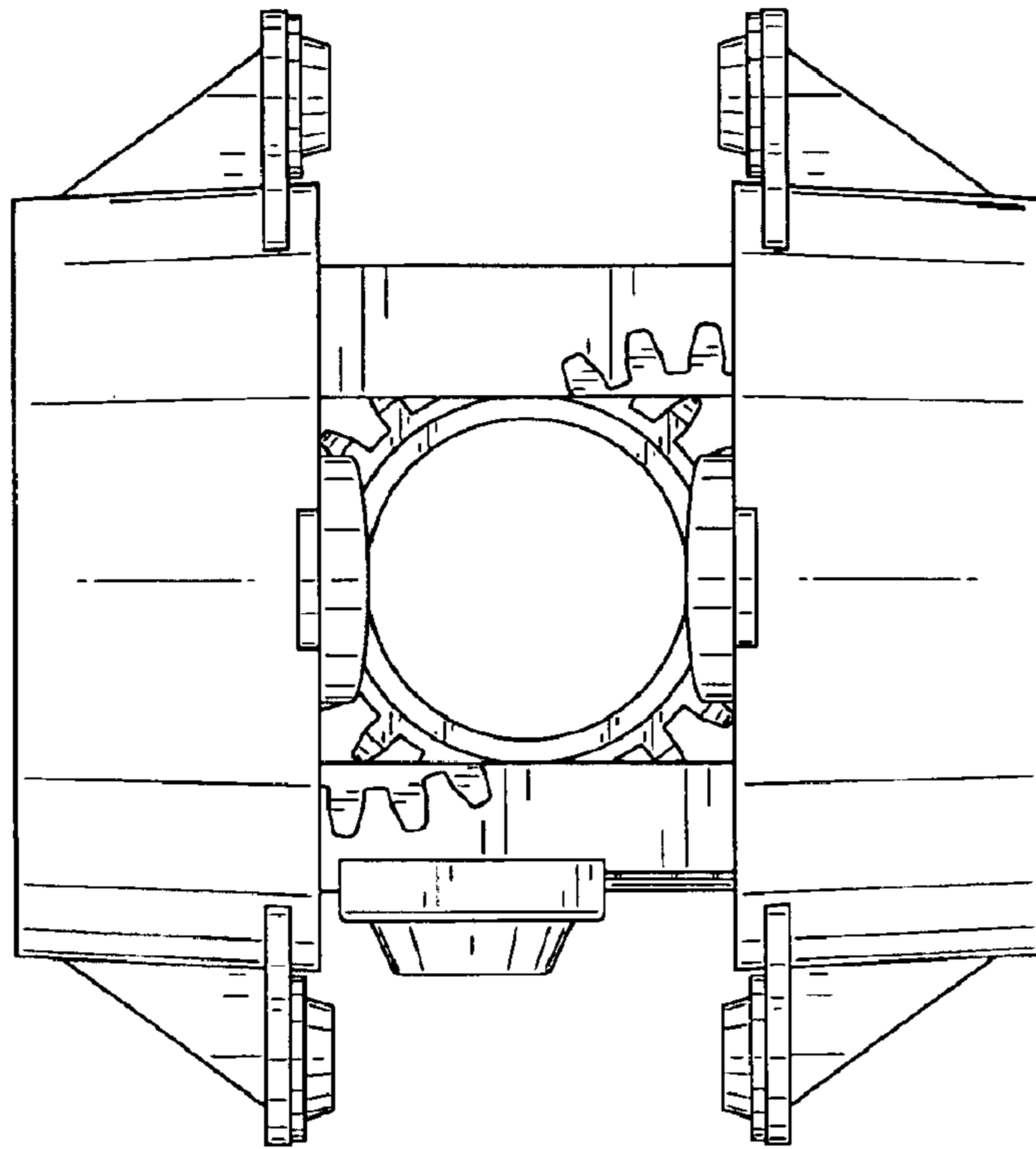


FIG. 6

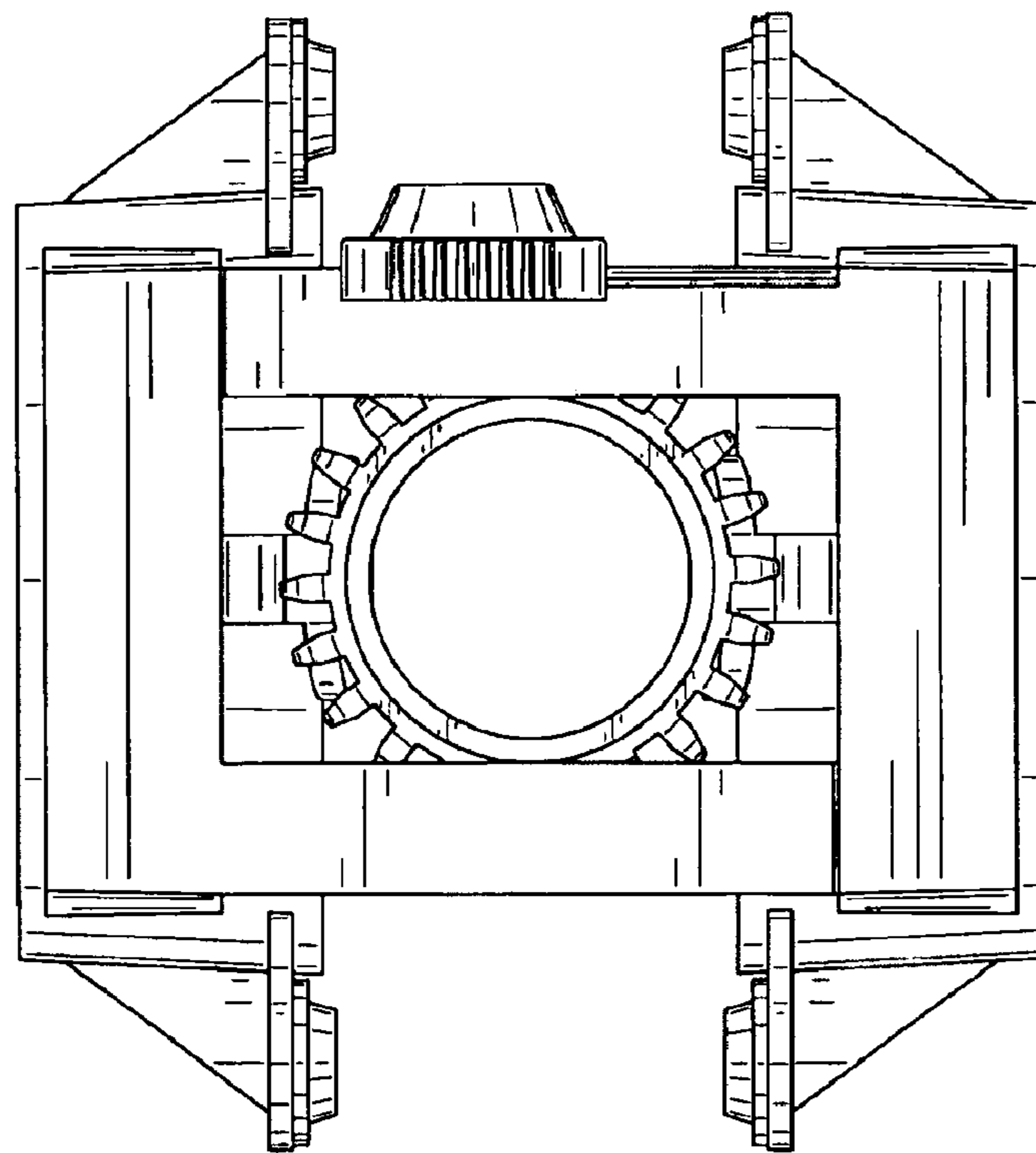


FIG. 7

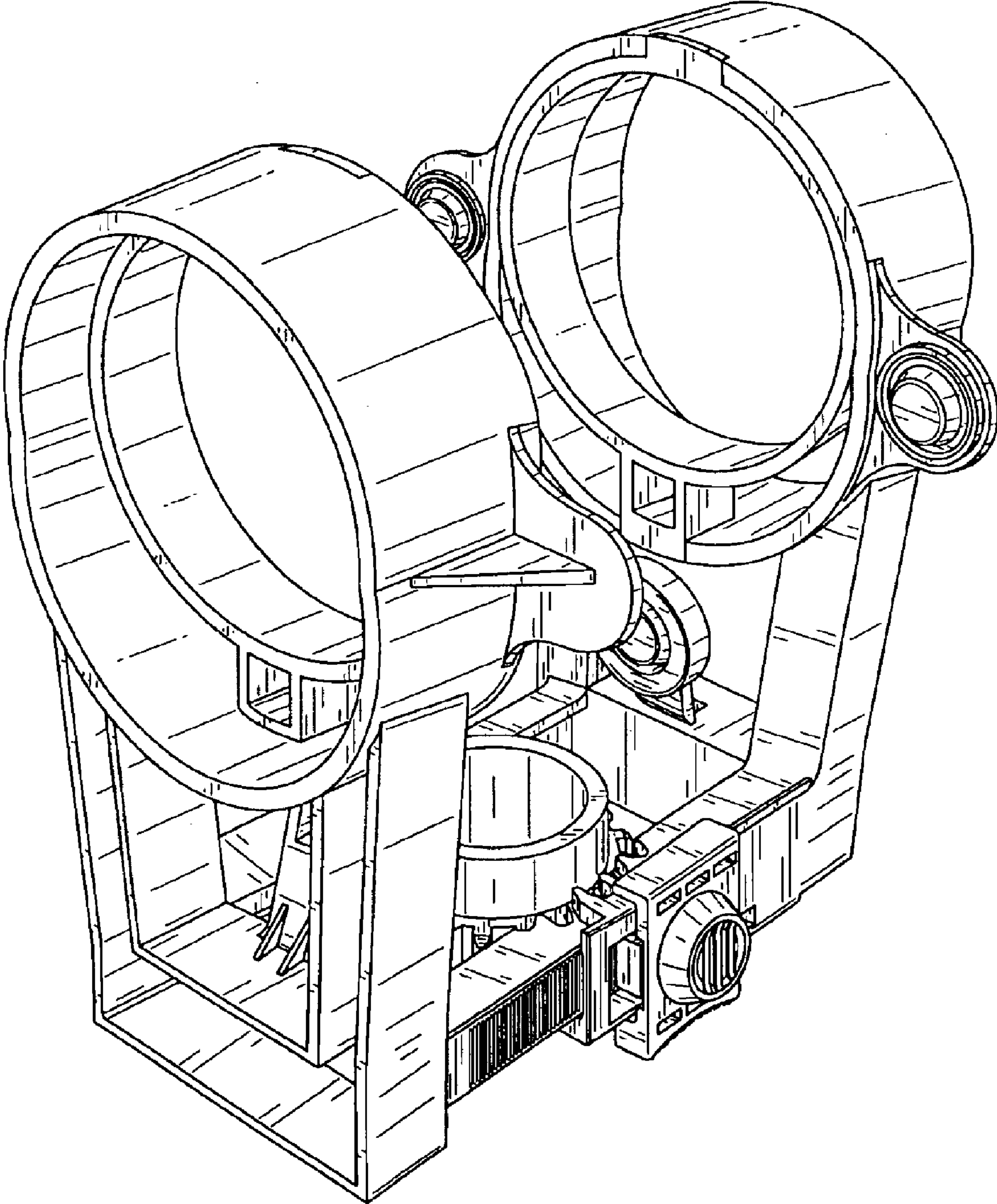


FIG. 8