



US00D516400S

(12) **United States Design Patent**
Yang

(10) **Patent No.: US D516,400 S**
(45) **Date of Patent: ** Mar. 7, 2006**

(54) **AIR NAIL GUN**

(76) **Inventor: Mingjun Yang**, Taizhou Dajiang Industry Co., Ltd., Chengxi Industry Zone, Wenling City, Zhejiang Province 317500 (CN)

(**) **Term: 14 Years**

(21) **Appl. No.: 29/225,406**

(22) **Filed: Mar. 15, 2005**

(51) **LOC (8) Cl. 08-05**

(52) **U.S. Cl. D8/69**

(58) **Field of Classification Search** D8/14.1, D8/61, 62, 63, 64, 65, 66, 67, 68, 69, 70; 81/57.11, 429, 464, 465, 466, 469, 489; 173/13, 173/169, 178, 213, 217; 227/8, 114, 120, 227/130, 136, 142; 310/50; 408/20, 124, 408/125, 234, 241 R; 451/358

See application file for complete search history.

(56) **References Cited**

U.S. PATENT DOCUMENTS

D316,022 S	*	4/1991	Moraht	D8/69
D338,818 S	*	8/1993	Katsuba	D8/62
D420,878 S	*	2/2000	Li	D8/69
6,161,744 A	*	12/2000	Mukoyama et al.	227/8
D462,884 S	*	9/2002	Oh	D8/69
D474,090 S	*	5/2003	Garvis et al.	D8/68
D474,091 S	*	5/2003	Arai	D8/69

D475,597 S	*	6/2003	Arai	D8/68
D477,762 S	*	7/2003	Bor	D8/68
D478,490 S	*	8/2003	Wu	D8/68
D497,091 S	*	10/2004	Leasure	D8/68
D499,321 S	*	12/2004	Buck et al.	D8/68
6,886,729 B1	*	5/2005	Lee	227/8
2005/0001001 A1	*	1/2005	Nakano et al.	227/130

* cited by examiner

Primary Examiner—Gary D. Watson
Assistant Examiner—T. Chase Nelson
(74) *Attorney, Agent, or Firm*—Kaplan & Gilman, LLP

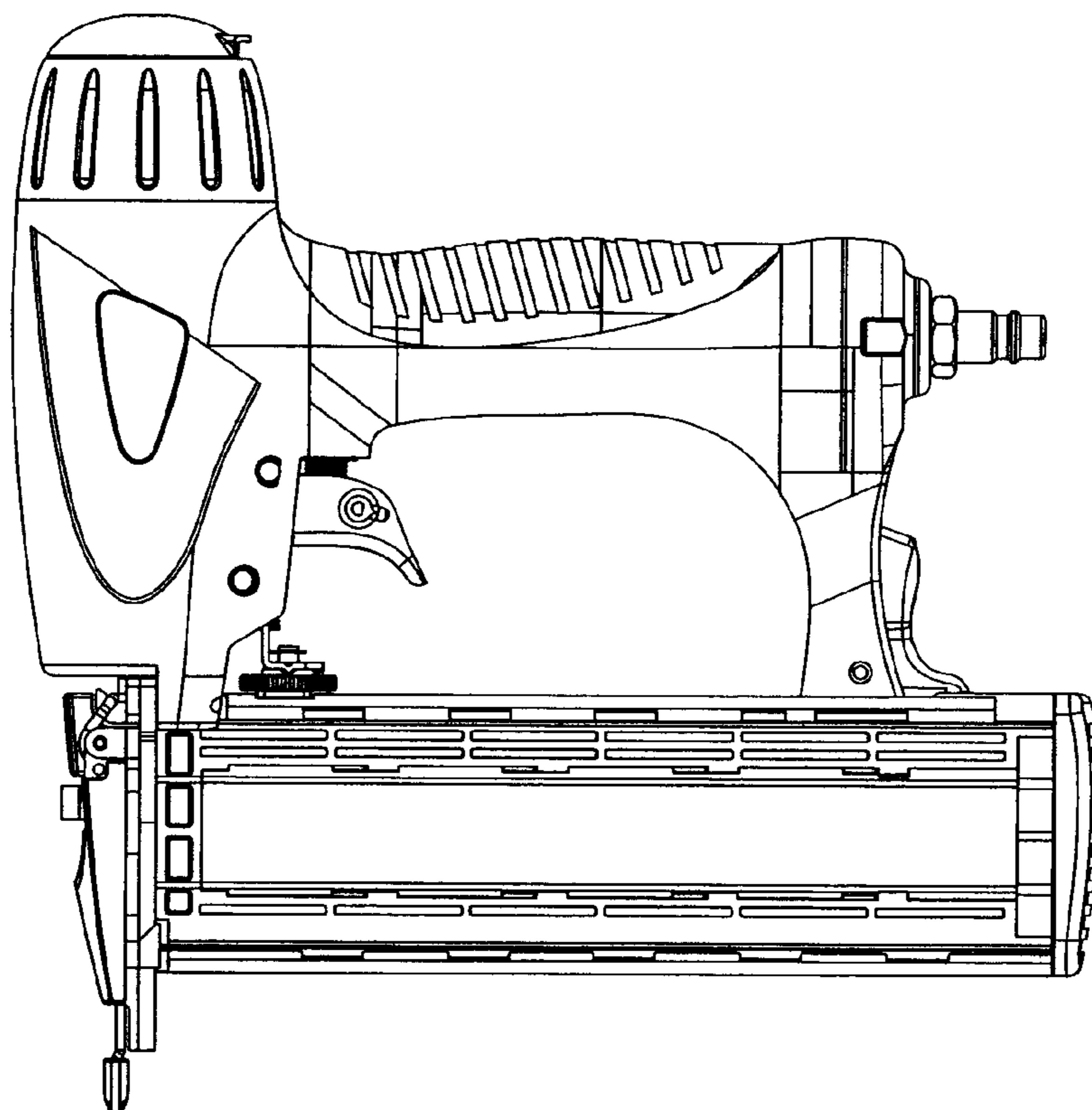
(57) **CLAIM**

The ornamental design for an air nail gun, as shown and described.

DESCRIPTION

FIG. 1 is a front view of an air nail gun showing my new design;
FIG. 2 is a top view of the air nail gun as shown in FIG. 1;
FIG. 3 is a right-side view of the air nail gun as shown in FIG. 1;
FIG. 4 is a left-side view of the air nail gun as shown in FIG. 1;
FIG. 5 is a bottom view of the air nail gun as shown in FIG. 1; and,
FIG. 6 is a back view of the air nail gun as shown in FIG. 1.

1 Claim, 3 Drawing Sheets



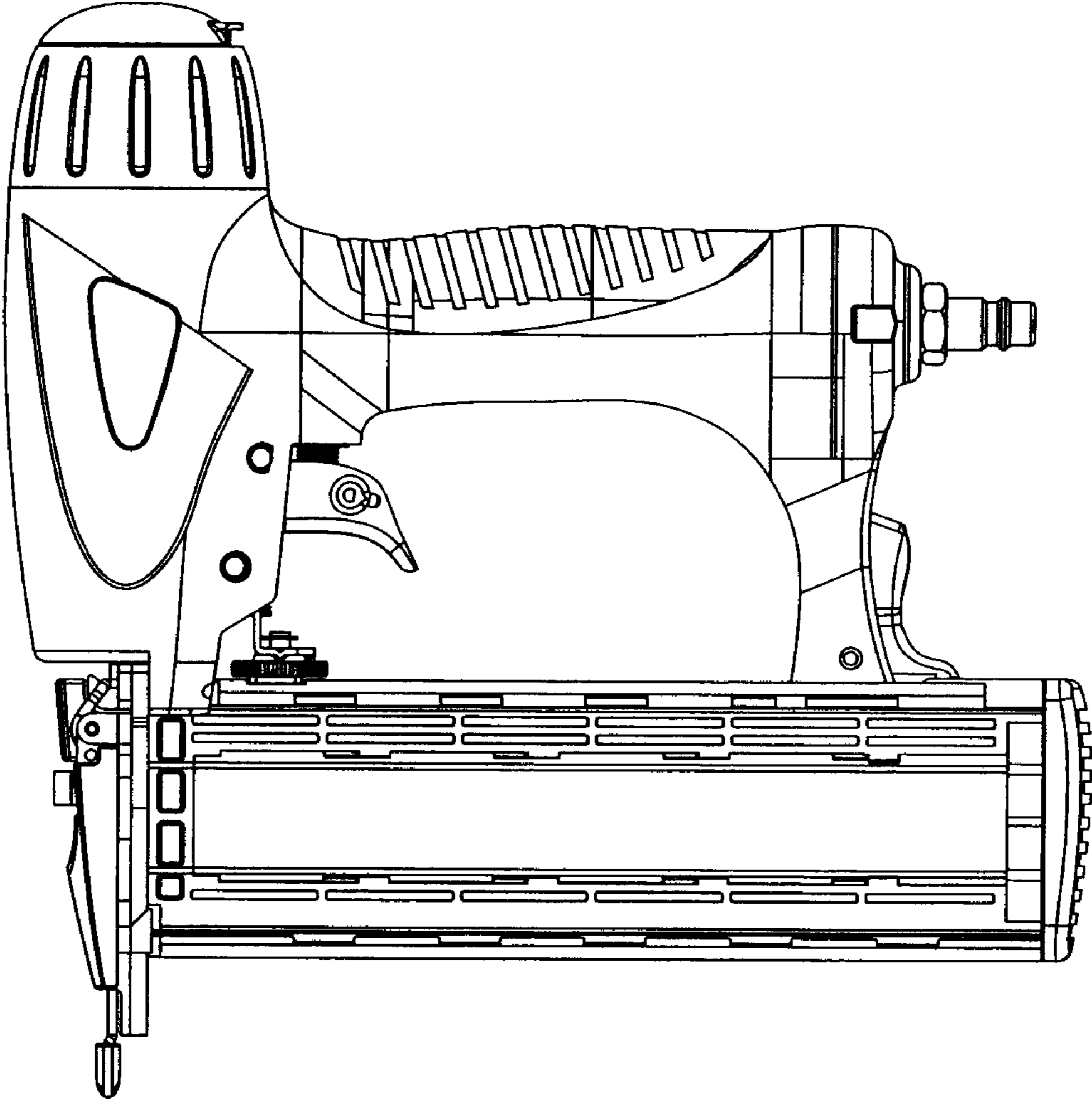


FIG. 1

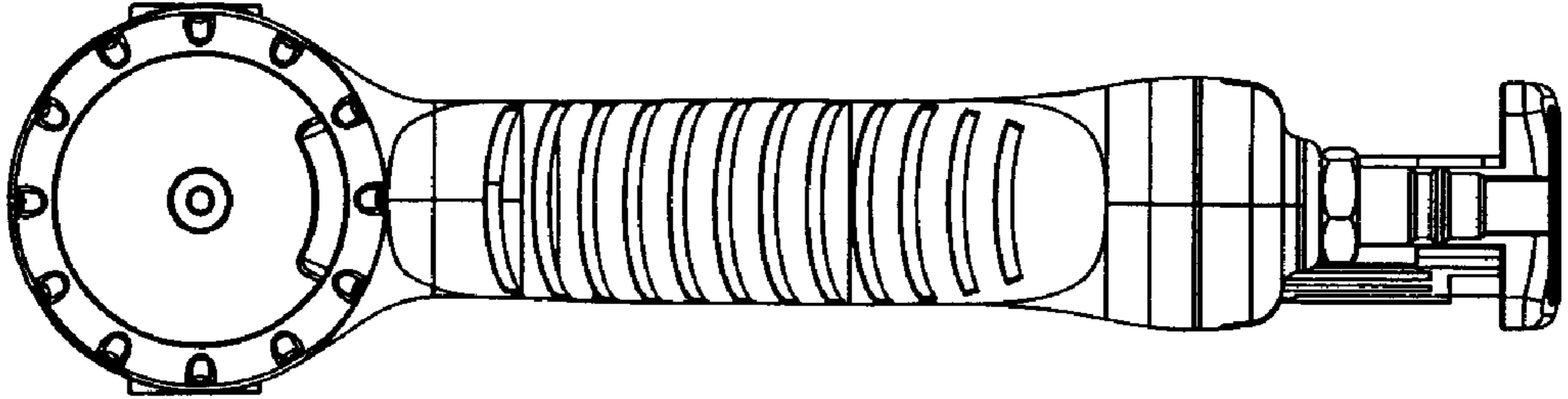


FIG. 2

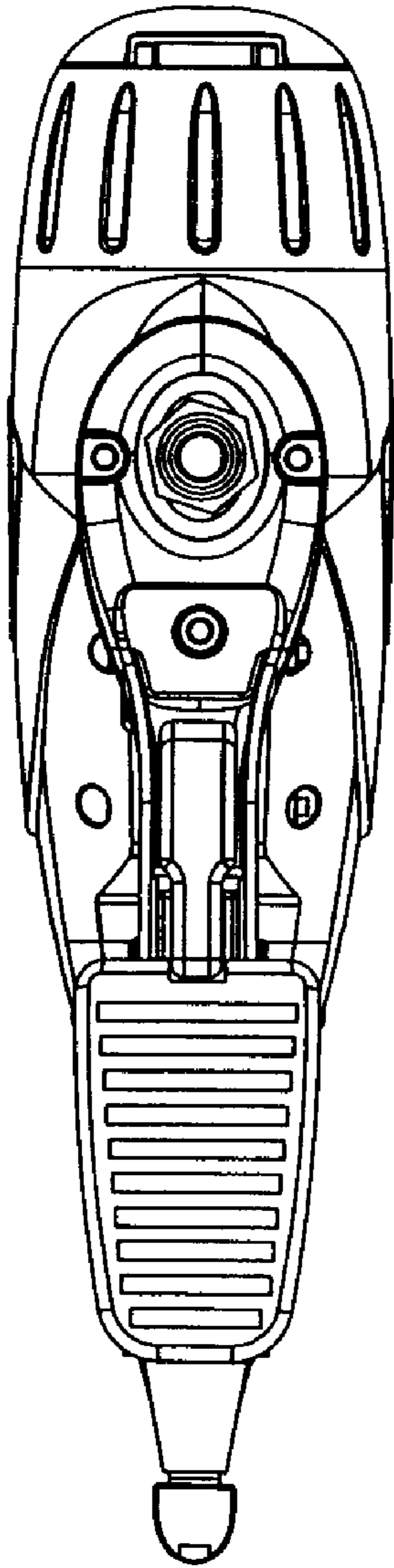


FIG. 3

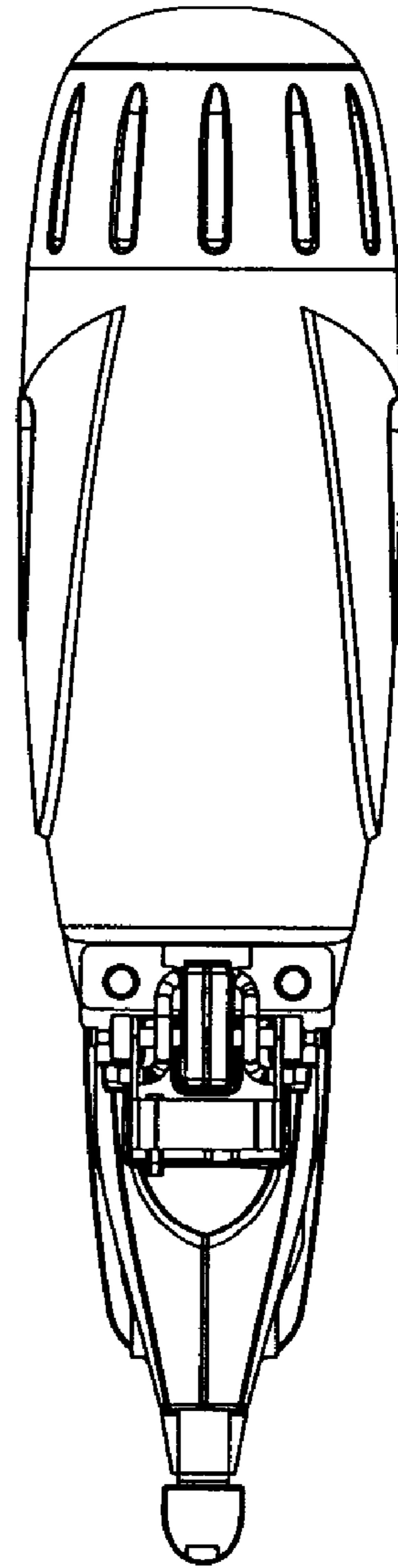


FIG. 4

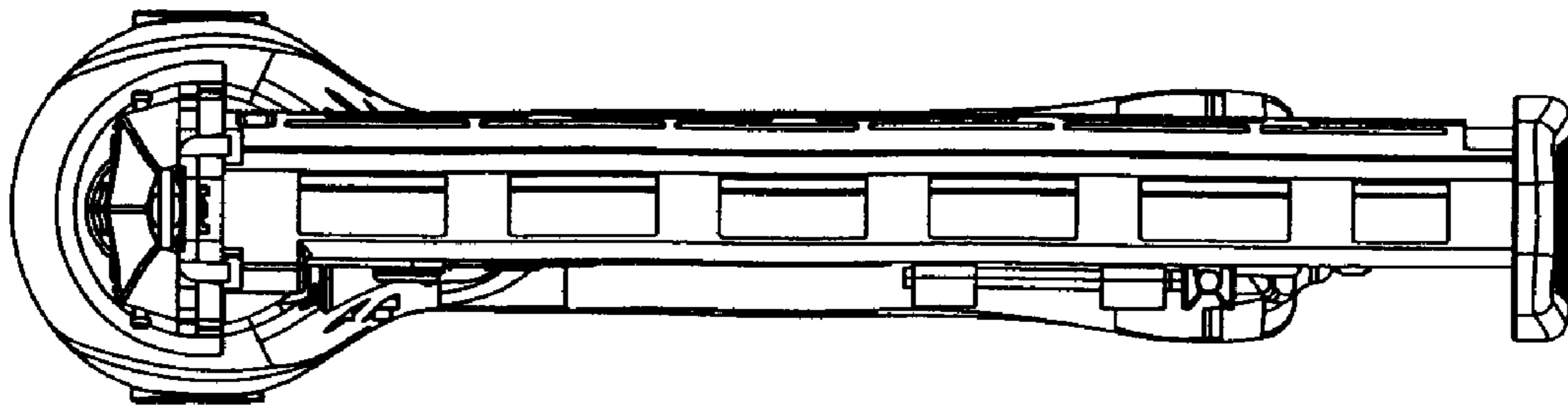


FIG. 5

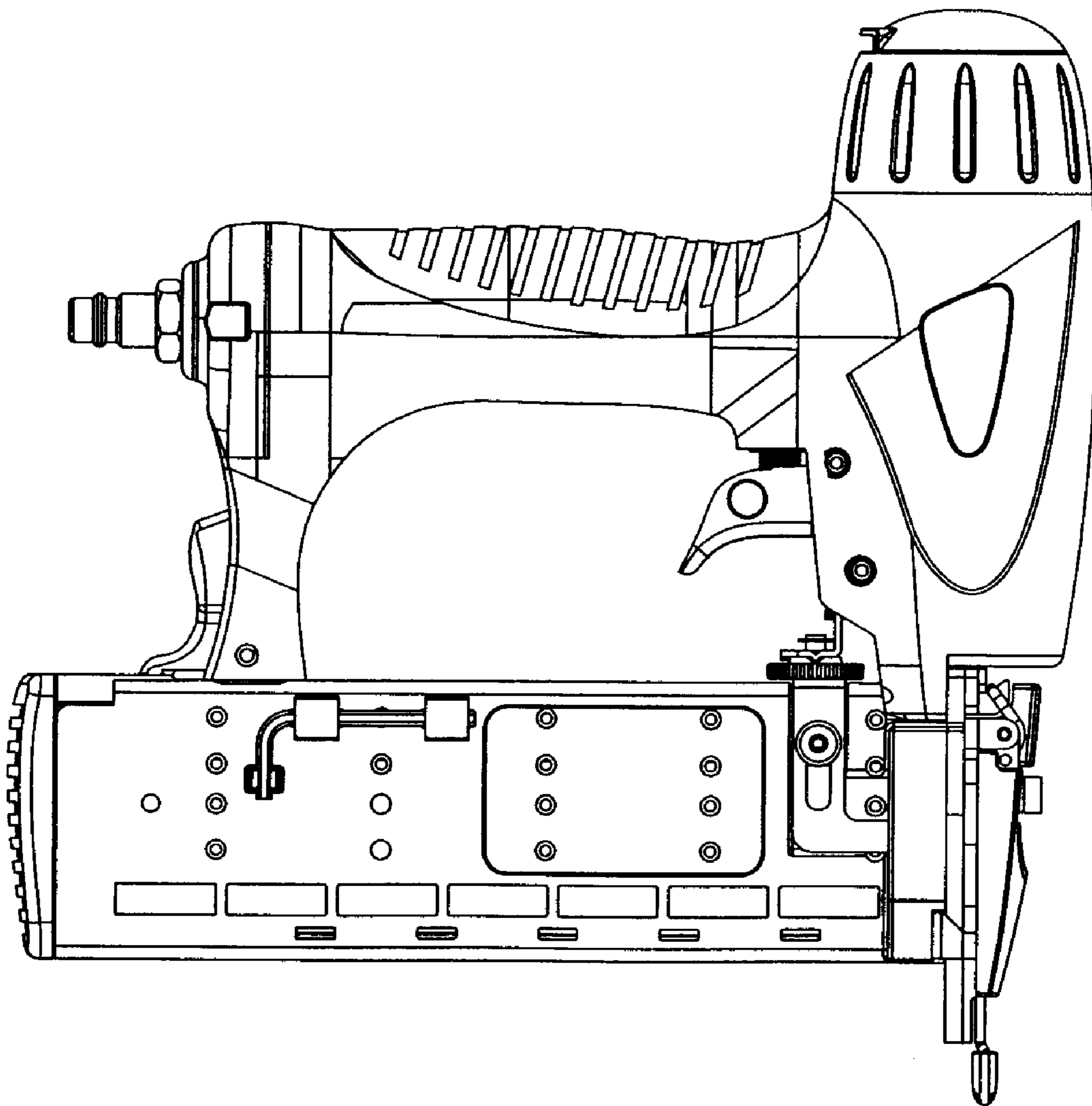


FIG. 6