



US00D516399S

(12) **United States Design Patent**  
**Oide**

(10) **Patent No.:** **US D516,399 S**  
(45) **Date of Patent:** **\*\* Mar. 7, 2006**

(54) **PORTABLE HYDRAULIC SPREADER  
DEVICE**

(75) Inventor: **Eisuke Oide**, Yokohama (JP)

(73) Assignee: **Kabushiki Kaisha Ogura**, Ebina (JP)

(\*\*) Term: **14 Years**

(21) Appl. No.: **29/182,146**

(22) Filed: **May 20, 2003**

(30) **Foreign Application Priority Data**

Nov. 26, 2002 (JP) ..... 2002-032634

(51) **LOC (8) Cl.** ..... **08-05**

(52) **U.S. Cl.** ..... **D8/68**

(58) **Field of Classification Search** ..... D8/14.1,  
D8/61, 62, 63, 64, 65, 66, 67, 68, 69, 70;  
81/57.11, 429, 464, 465, 466, 469, 489; 173/13,  
173/169, 178, 213, 217; 227/8, 114, 120,  
227/130, 136, 142; 310/50; 408/20, 124,  
408/125, 234, 241 R; 451/358; D15/127

See application file for complete search history.

(56) **References Cited**

**U.S. PATENT DOCUMENTS**

2,446,011 A \* 7/1948 Johnson et al. .... 173/169  
D326,597 S \* 6/1992 Lee ..... D8/68  
5,243,761 A \* 9/1993 Sullivan et al. .... 173/169  
5,272,811 A \* 12/1993 Armand ..... 30/228  
D352,438 S \* 11/1994 Hattori ..... D8/68  
D386,661 S \* 11/1997 Hirabayashi et al. .... D8/68

D387,961 S \* 12/1997 Yasui et al. .... D8/68  
D392,863 S \* 3/1998 Sugimoto et al. .... D8/68  
D403,937 S \* 1/1999 Hattori ..... D8/68  
D404,627 S \* 1/1999 Hirabayashi ..... D8/68  
6,000,680 A \* 12/1999 Kimura et al. .... 30/366  
6,178,643 B1 \* 1/2001 Erbrick et al. .... 30/228  
6,244,568 B1 \* 6/2001 Patton ..... 254/93 R  
D492,949 S 7/2004 Kimura

**FOREIGN PATENT DOCUMENTS**

JP 1156122 10/2002  
JP 2002-032634 7/2003

\* cited by examiner

*Primary Examiner*—Holly Baynham

*Assistant Examiner*—T. Chase Nelson

(74) *Attorney, Agent, or Firm*—Leydig, Voit & Mayer, Ltd.

(57) **CLAIM**

The design for the portable hydraulic spreader device, as shown.

**DESCRIPTION**

FIG. 1 is a perspective view of the portable hydraulic spreader device;

FIG. 2 is a front elevational view thereof;

FIG. 3 is a rear elevational view thereof;

FIG. 4 is a top plan view thereof;

FIG. 5 is a bottom plan view thereof;

FIG. 6 is a right side elevational view thereof; and,

FIG. 7 is a left side elevational view thereof.

**1 Claim, 3 Drawing Sheets**

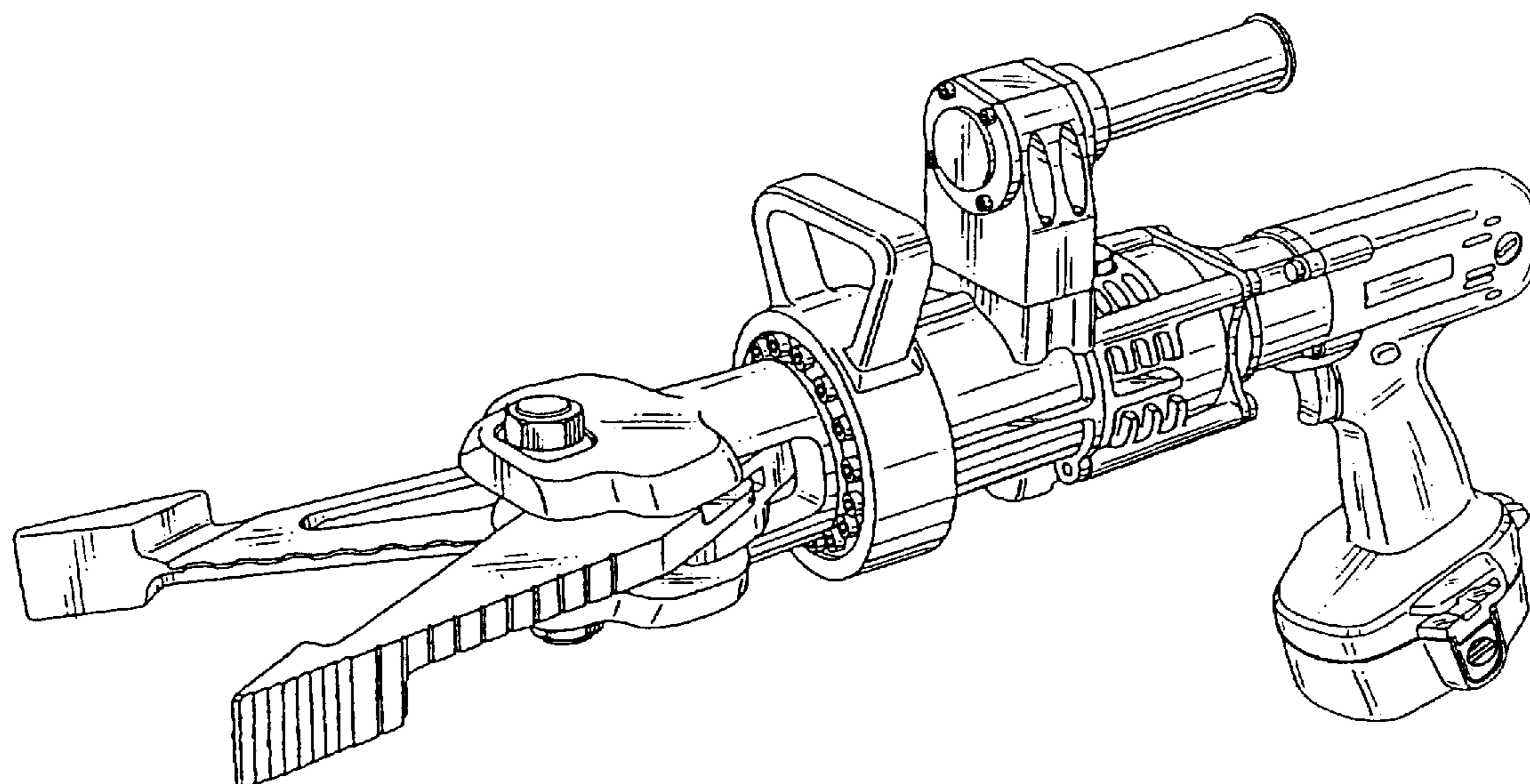


FIG. 1

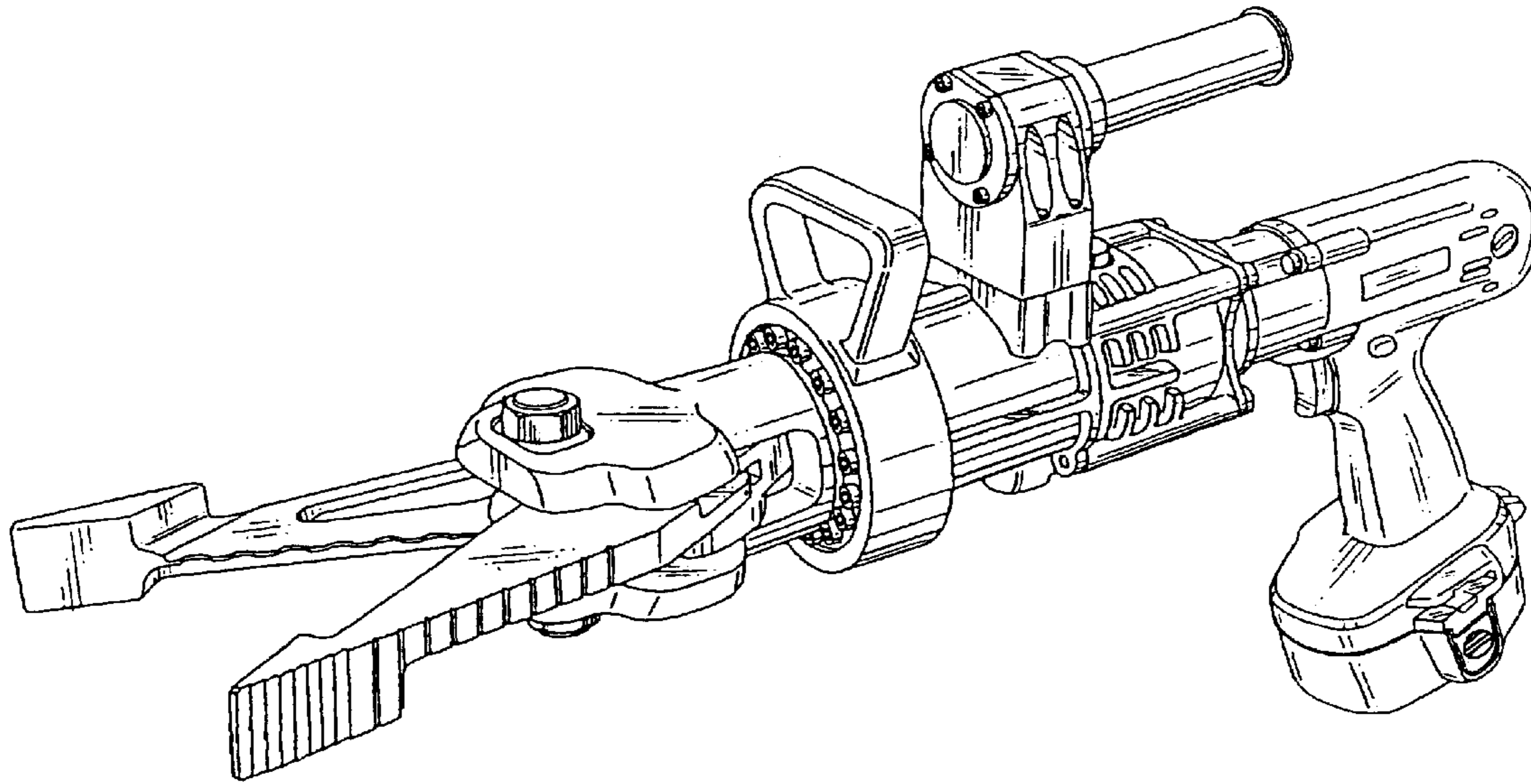


FIG. 2

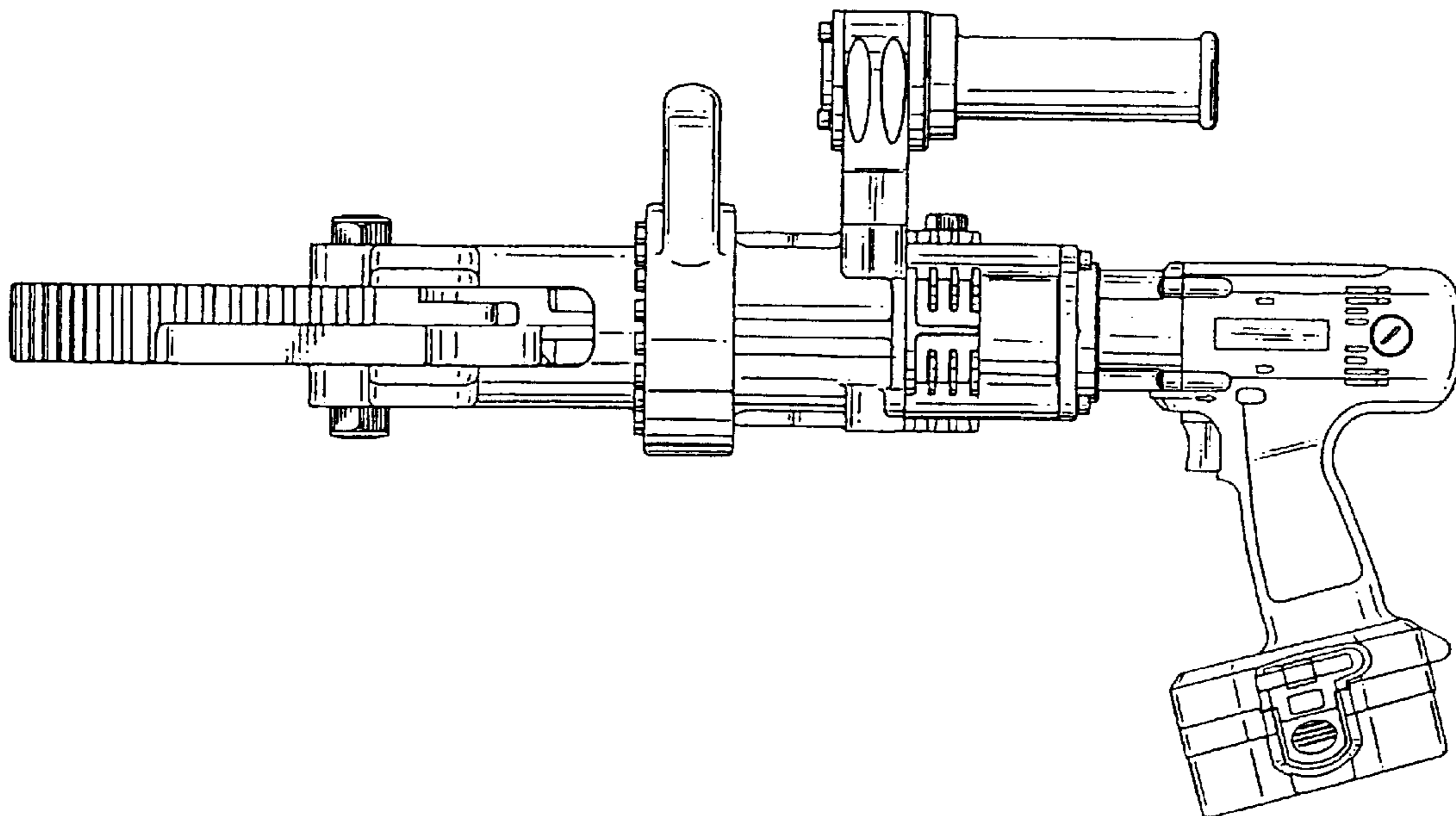


FIG. 3

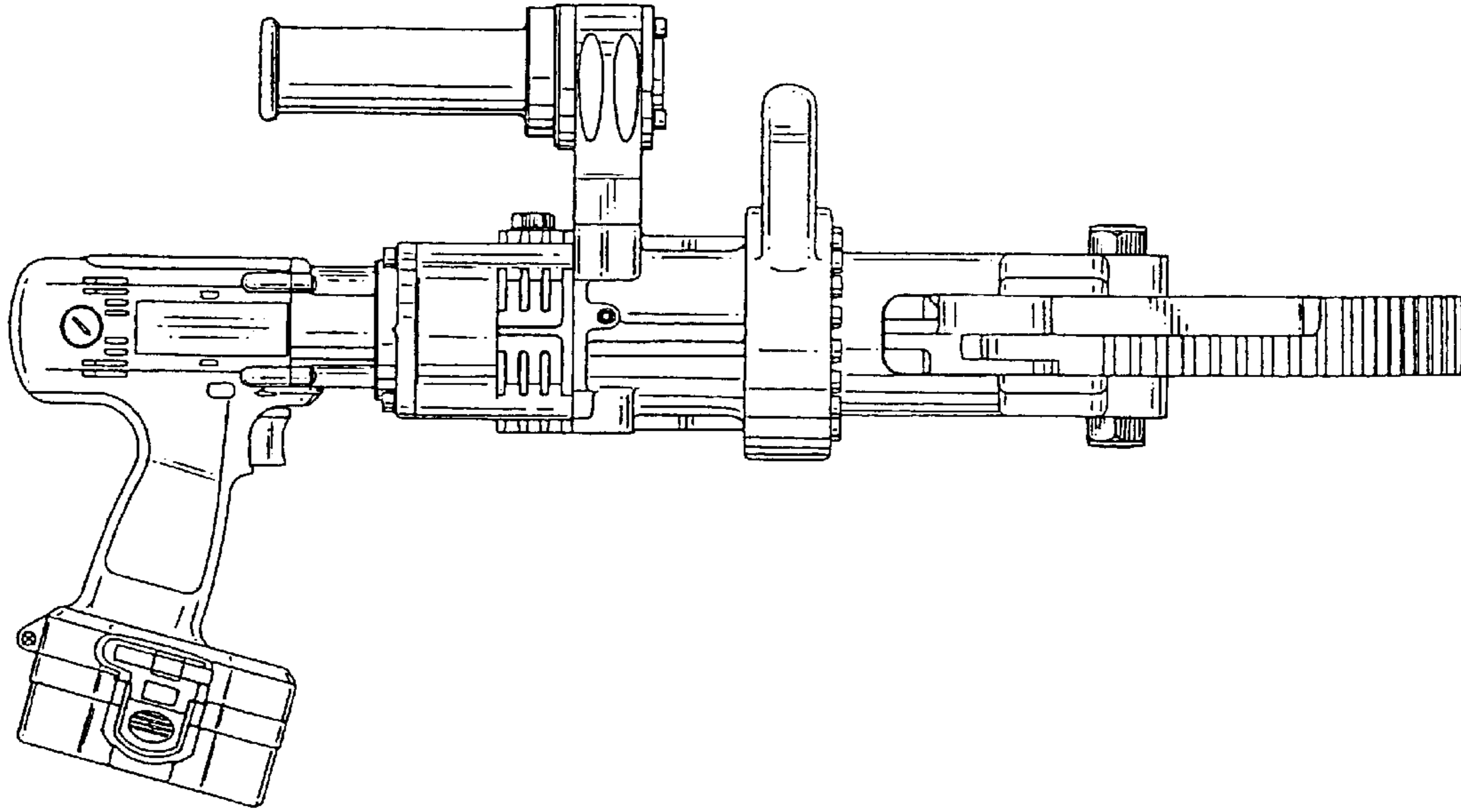


FIG. 4

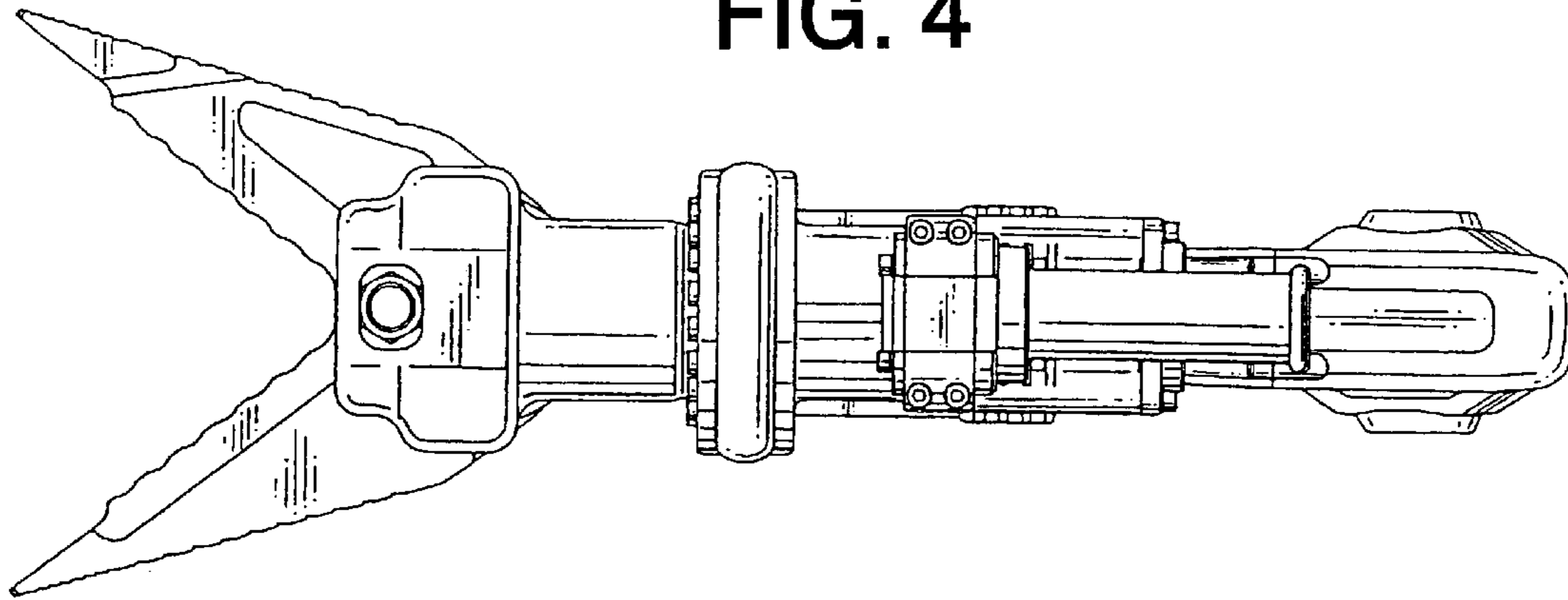


FIG. 5

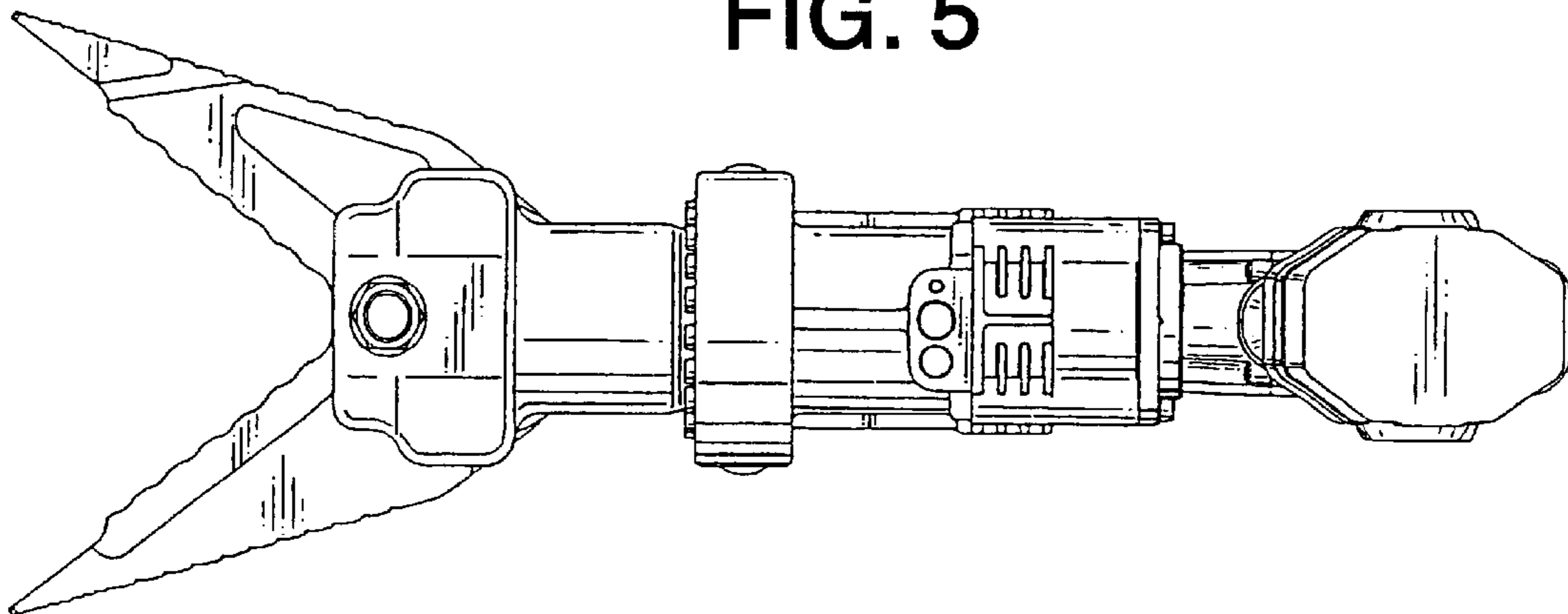


FIG. 6

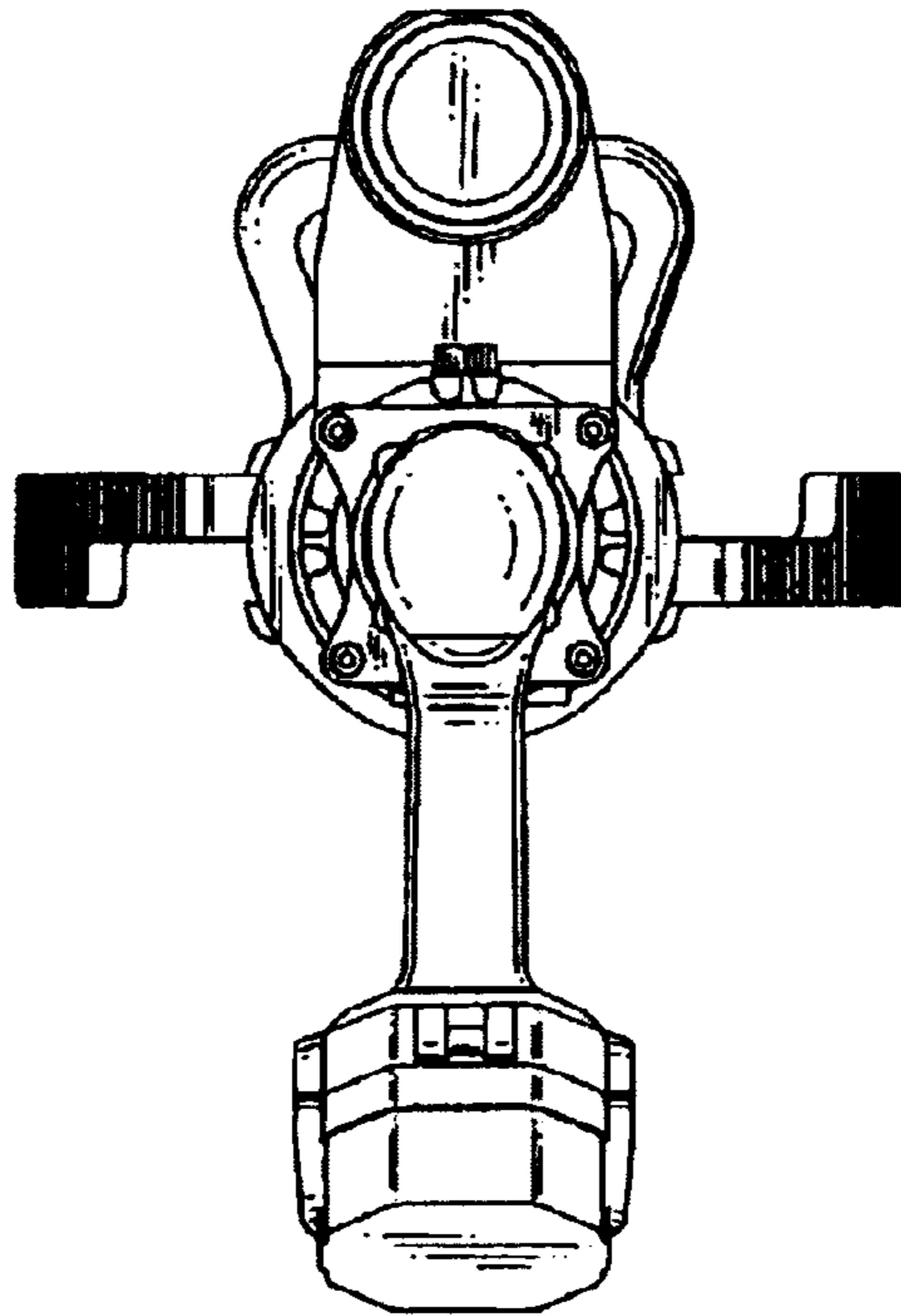


FIG. 7

