



US00D516393S

(12) **United States Design Patent**  
**Wickenhauser**

(10) **Patent No.:** **US D516,393 S**  
(45) **Date of Patent:** **\*\* Mar. 7, 2006**

(54) **COMBINED BEVERAGE CONTAINER AND CELL PHONE HOLDER**

(76) Inventor: **Keith Wickenhauser**, 11170 Guernsey Ave., Chaska, MN (US) 55318

(\*\*) Term: **14 Years**

(21) Appl. No.: **29/214,677**

(22) Filed: **Oct. 7, 2004**

(51) **LOC (8) Cl.** ..... **07-06**

(52) **U.S. Cl.** ..... **D7/701; D7/619.1; D7/624.2**

(58) **Field of Classification Search** ..... **D7/619.1-625, D7/701-708; D6/513, 567, 476; 220/737-740; 215/394-396; 248/346.11, 309.1, 311.2; 211/74, 75**

See application file for complete search history.

(56) **References Cited**

**U.S. PATENT DOCUMENTS**

D200,290 S	2/1965	Turner	
3,698,675 A	* 10/1972	Lerew et al.	248/311.2
4,588,076 A	5/1986	Caputo	
D288,411 S	2/1987	Castellonet	
4,721,216 A	1/1988	Kinder	
D297,117 S	8/1988	Fontana	
D307,355 S	4/1990	Page, Jr.	
5,111,951 A	5/1992	Breen et al.	
5,174,534 A	12/1992	Mitchell	
D332,552 S	1/1993	Lynch	
D336,218 S	6/1993	Hague	
D353,840 S	12/1994	Dietterich et al.	

5,497,902 A	3/1996	Crock	
D370,681 S	* 6/1996	Diamond	D14/252
D371,538 S	7/1996	Ferrigan	
D389,020 S	1/1998	LaJole	
5,706,975 A	1/1998	Crock	
D396,780 S	8/1998	Villarreal, Jr. et al.	
D398,524 S	9/1998	Waterhouse	
D399,707 S	10/1998	Villarreal, Jr. et al.	
5,878,908 A	3/1999	Foley	
D424,426 S	5/2000	Fletcher	
6,092,647 A	7/2000	Yeh et al.	
D455,051 S	4/2002	Gjersvik	
D488,036 S	4/2004	Dimo	
2004/0232155 A1	11/2004	Burts	

\* cited by examiner

*Primary Examiner*—Terry A. Wallace

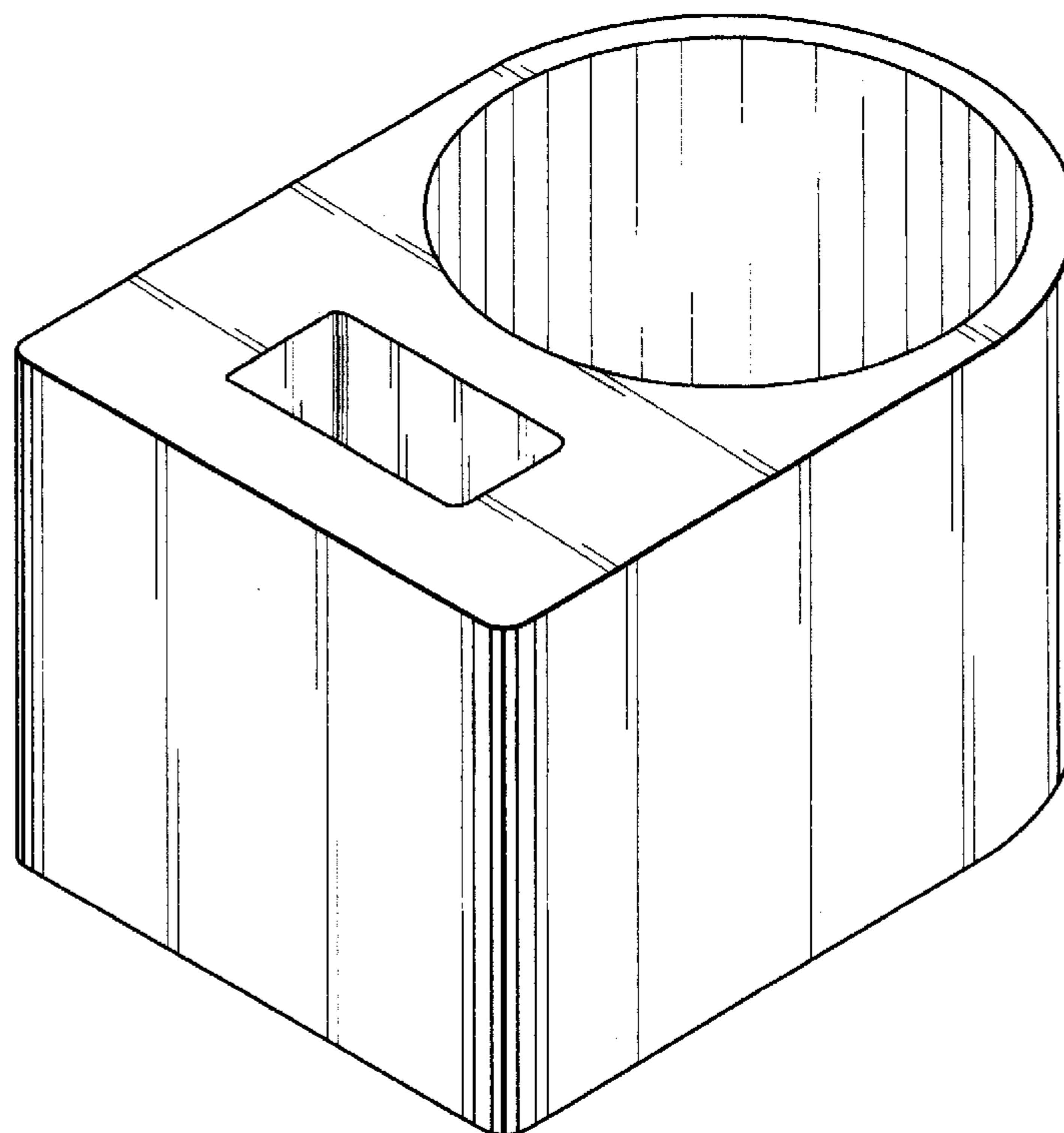
(57) **CLAIM**

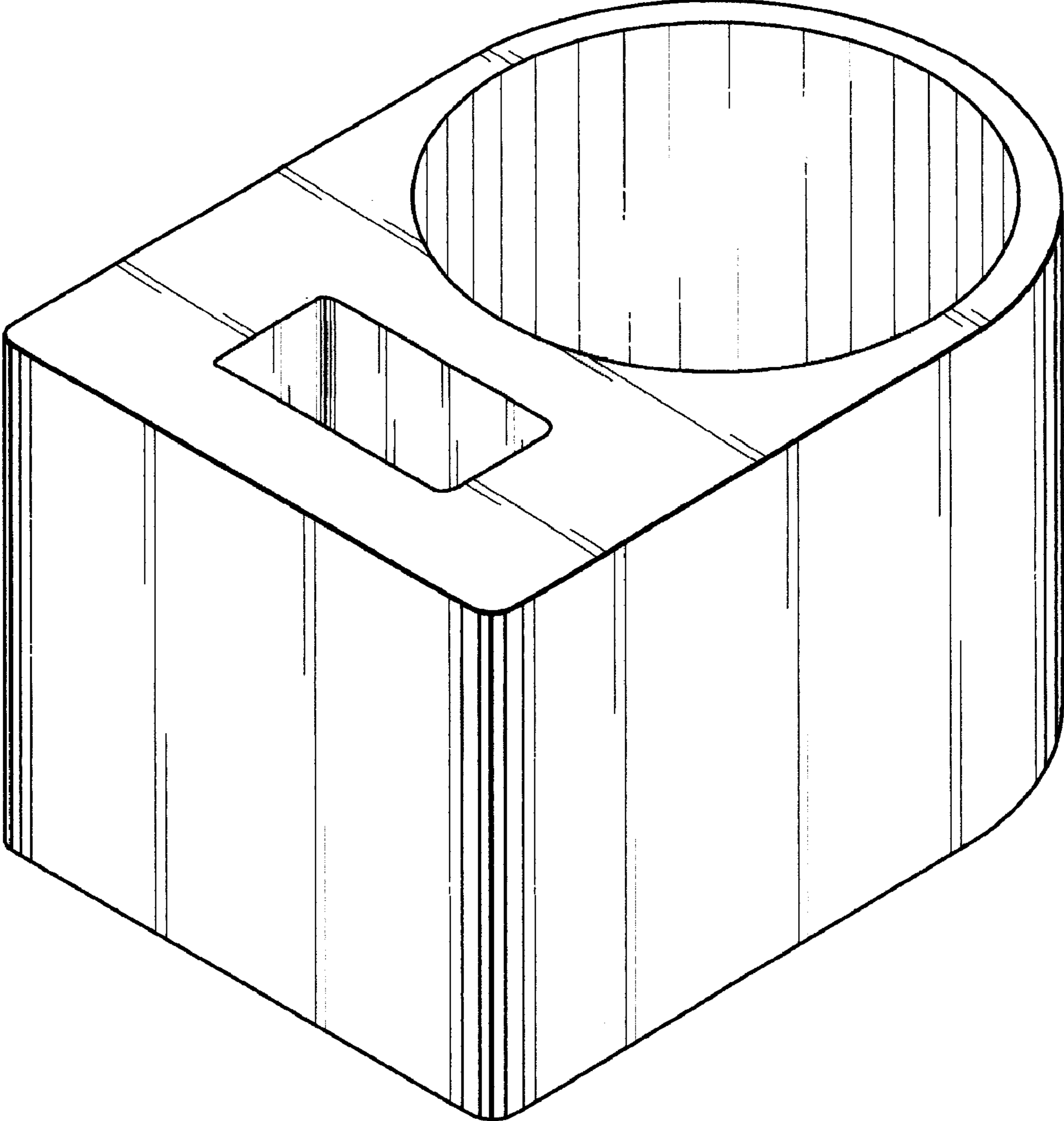
The ornamental design of a combined beverage container and cell phone holder, as shown and described.

**DESCRIPTION**

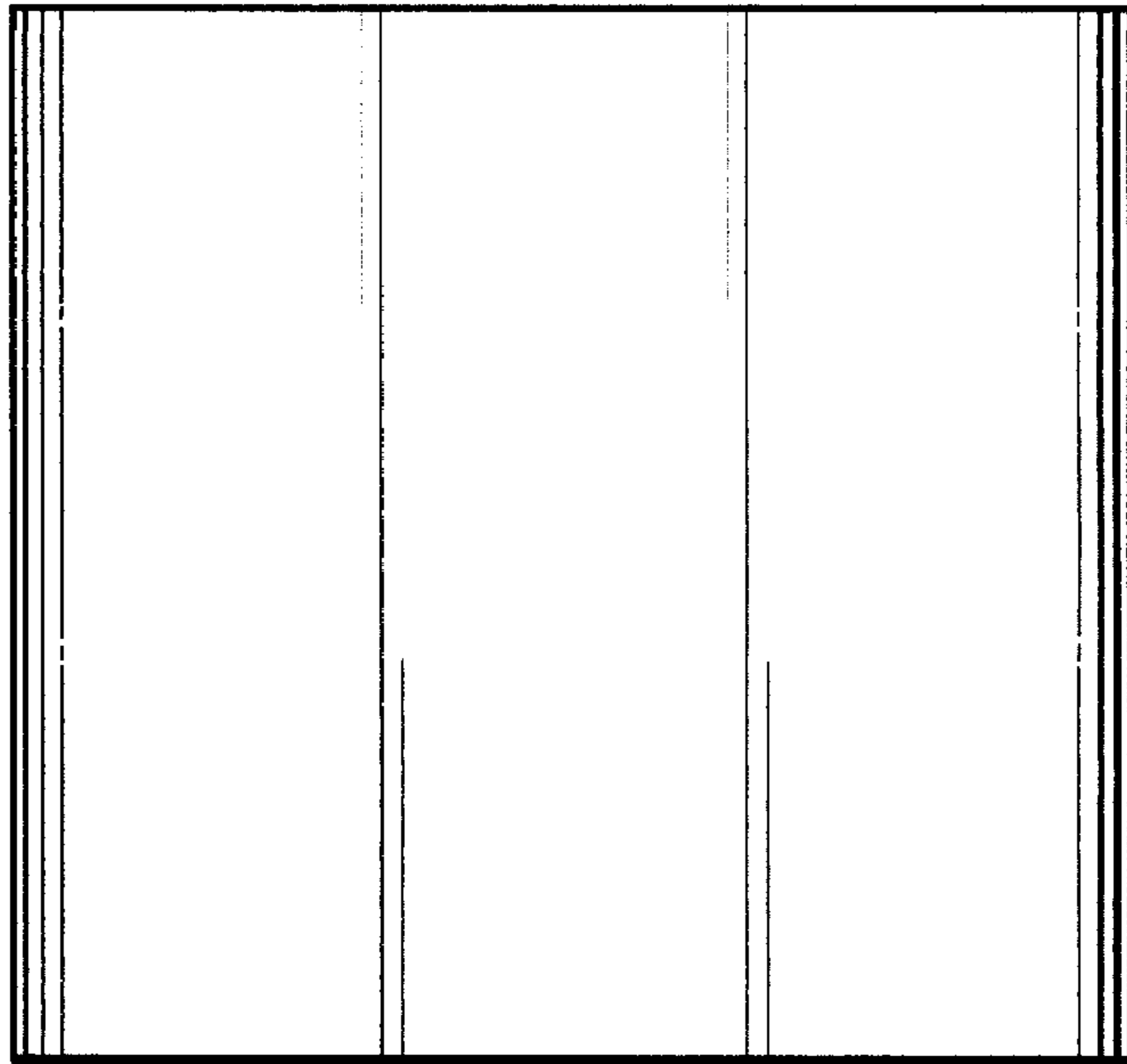
FIG. 1 is a perspective view of a combined beverage container and cell phone holder of my design; FIG. 2 is a front elevational view thereof; FIG. 3 is a side elevational view of the right side thereof; FIG. 4 is a side elevational view of the left side thereof; FIG. 5 is a rear elevational view thereof; FIG. 6 is a top plan view thereof; and, FIG. 7 is a bottom plan view thereof.

**1 Claim, 4 Drawing Sheets**

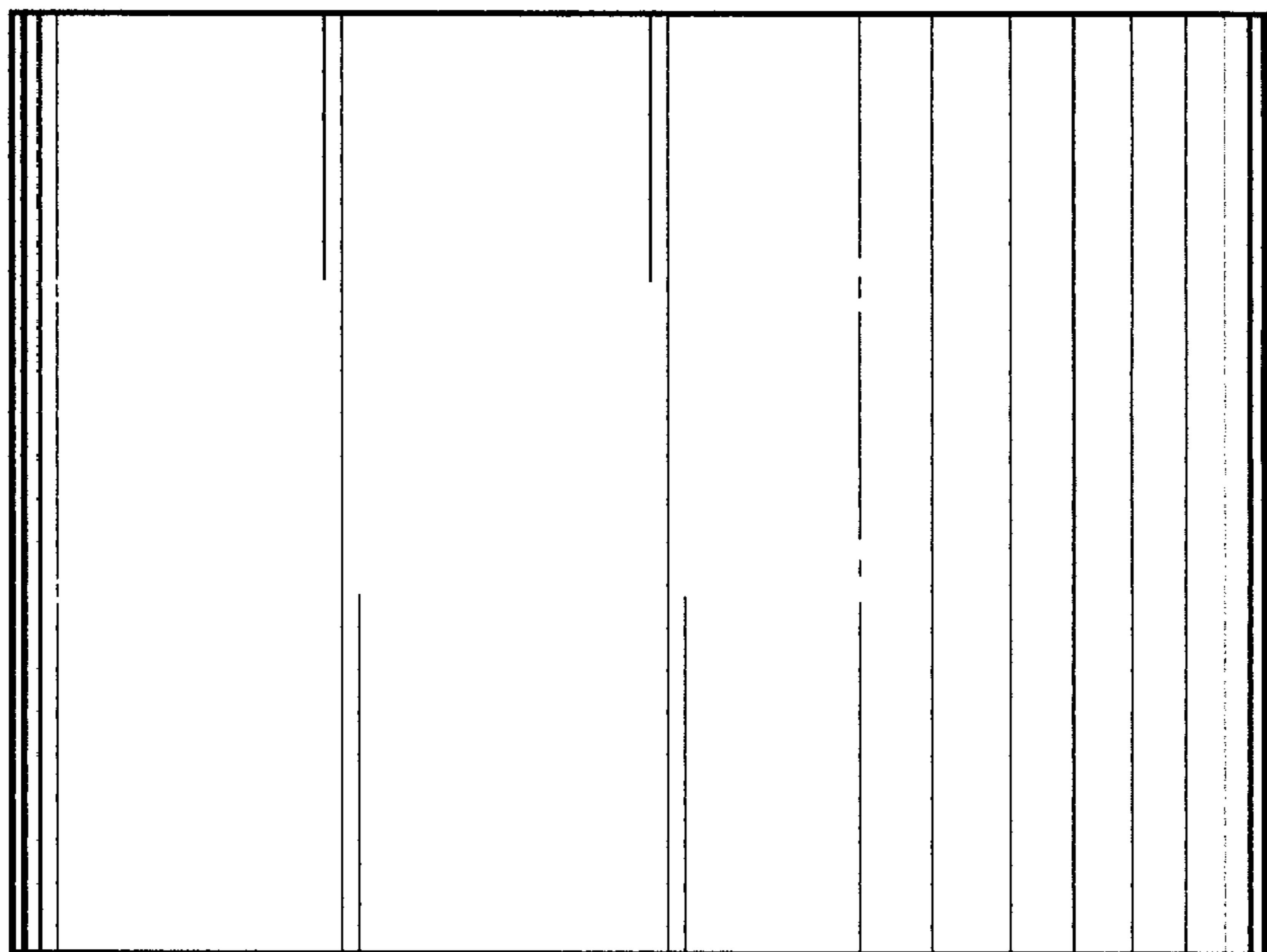




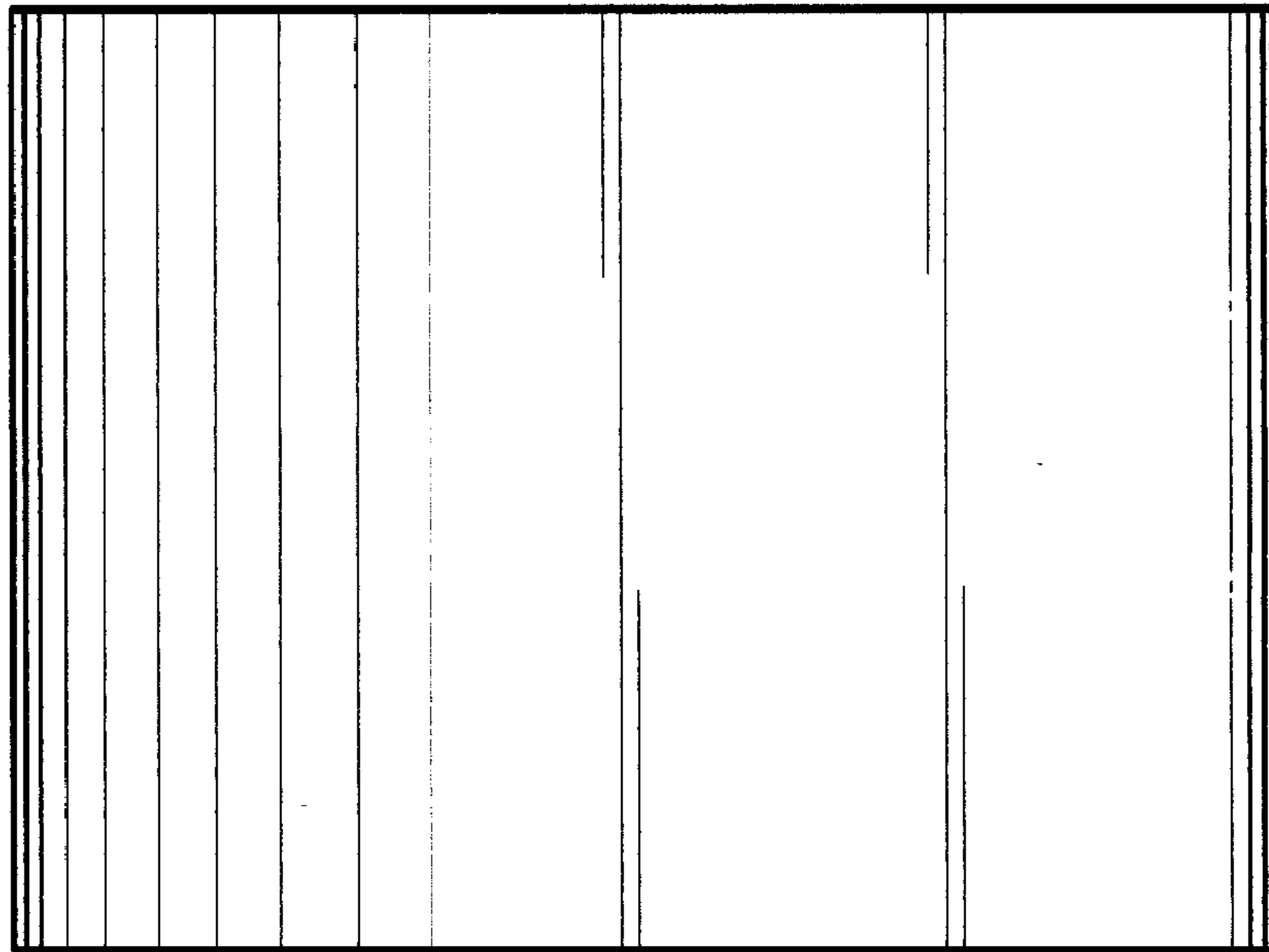
**FIG. 1**



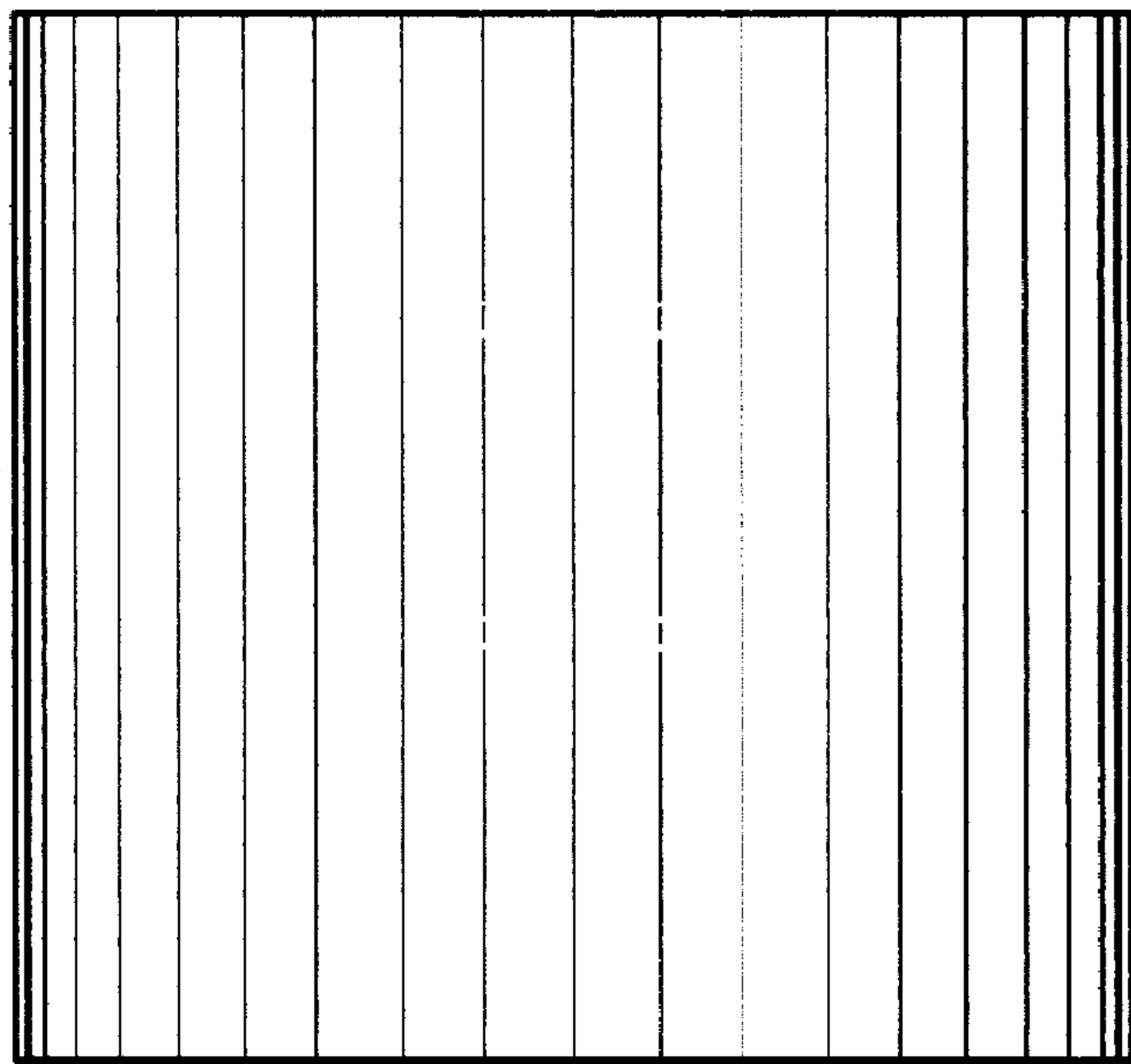
**FIG. 2**



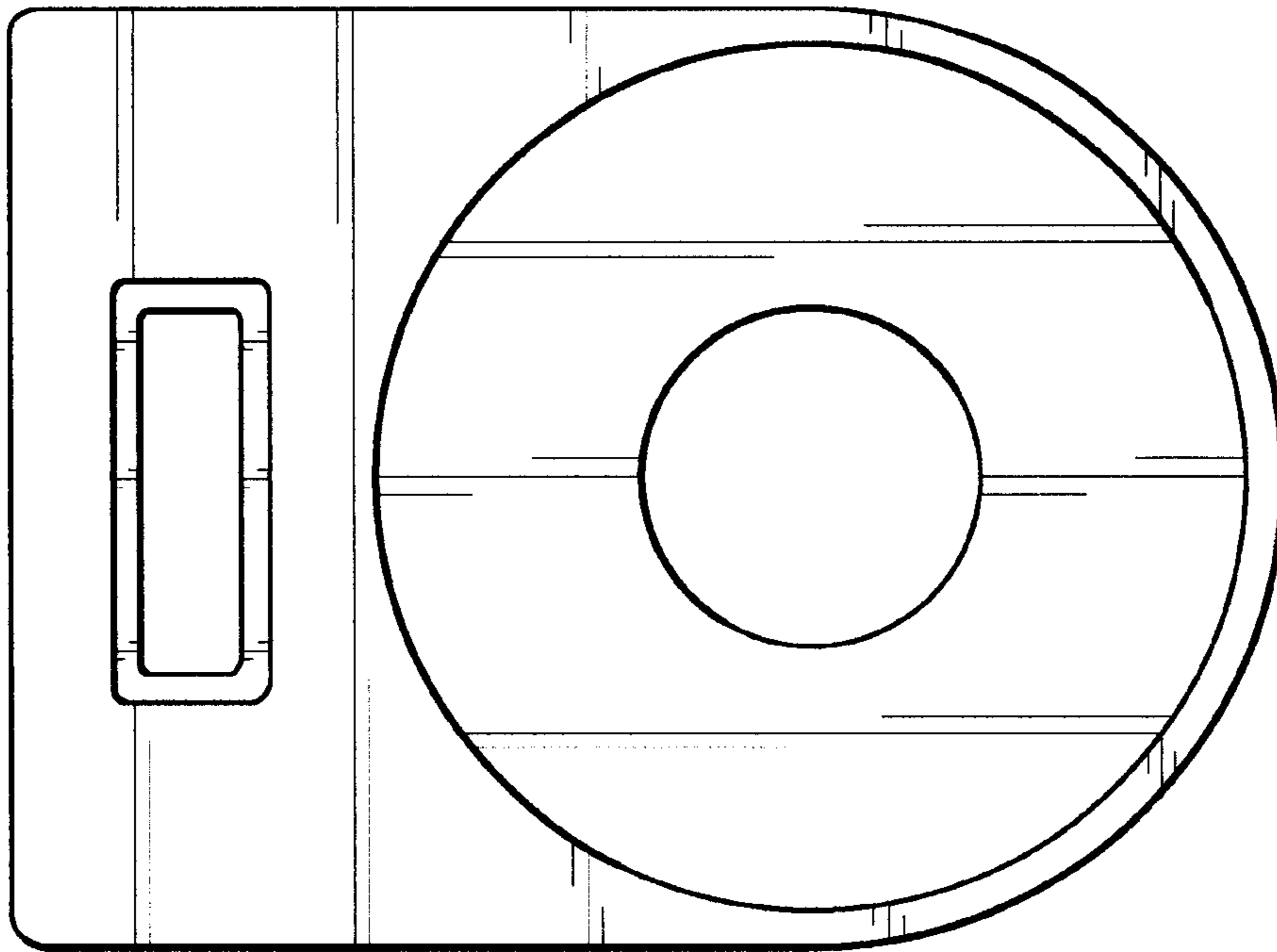
**FIG. 3**



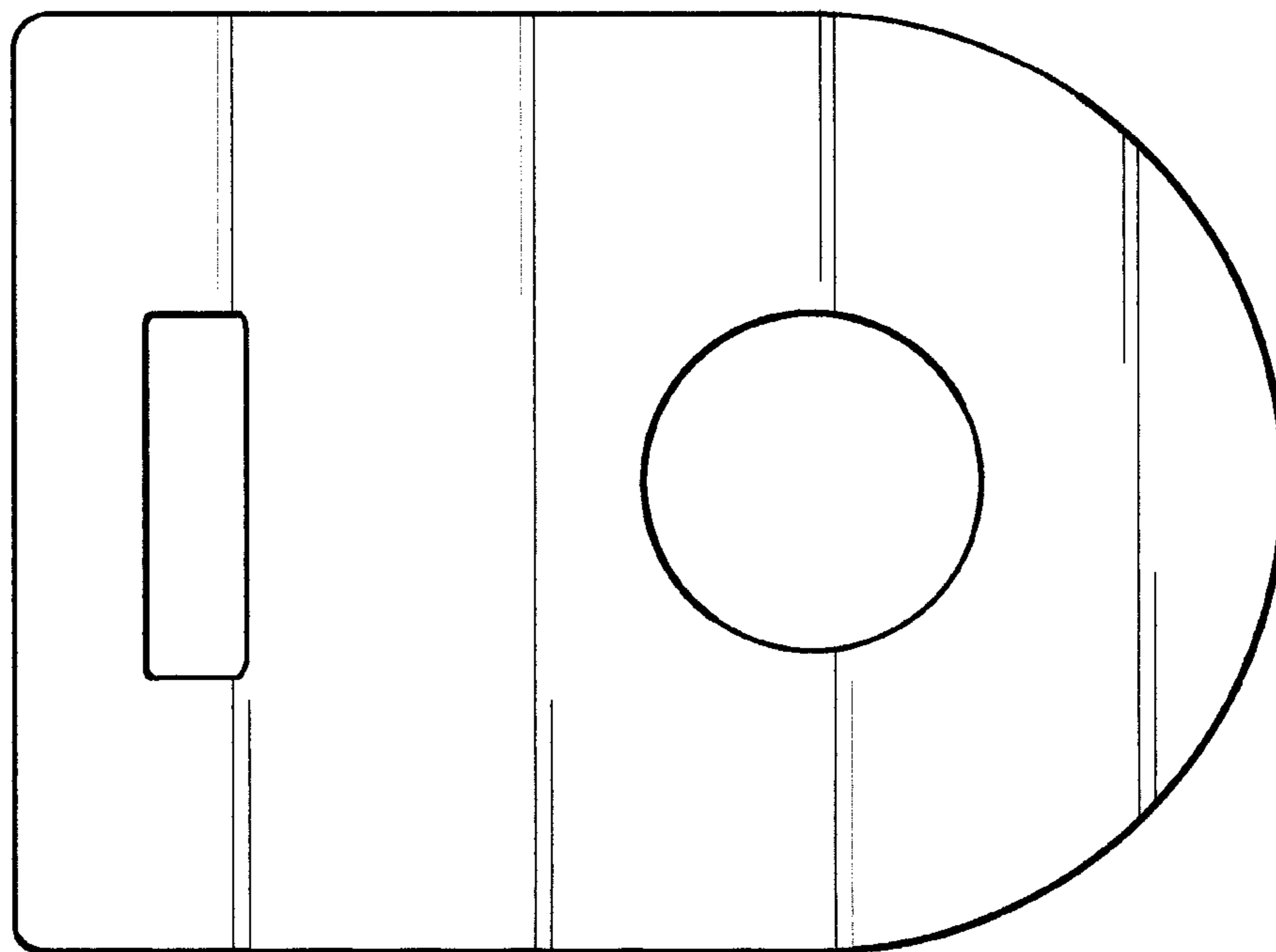
**FIG. 4**



**FIG. 5**



**FIG. 6**



**FIG. 7**