



US00D516389S

(12) **United States Design Patent**
Nix

(10) **Patent No.:** **US D516,389 S**
(45) **Date of Patent:** **** Mar. 7, 2006**

(54) **LATCHING DINNER NAPKIN DISPENSER WITH PIANO-TYPE HINGE**

4,401,233 A 8/1983 Frey
6,543,642 B1 * 4/2003 Milliorn 221/46
6,834,773 B1 * 12/2004 Wu 221/45

(76) Inventor: **Liza M. Nix**, 2520 Stewart St., Laredo, TX (US) 78043

* cited by examiner

(**) Term: **14 Years**

Primary Examiner—Terry A. Wallace
(74) *Attorney, Agent, or Firm*—Donald R. Schoonover

(21) Appl. No.: **29/213,984**

(57) **CLAIM**

(22) Filed: **Sep. 27, 2004**

I claim the ornamental design for a latching dinner napkin dispenser with piano-type hinge, as shown and described.

(51) **LOC (8) Cl.** **07-06**

(52) **U.S. Cl.** **D7/631**

(58) **Field of Classification Search** D7/631-634, D7/629; D9/424, 420, 430-432; 221/33-41, 221/45-60; 211/50, 50.1, 11, 13.1
See application file for complete search history.

DESCRIPTION

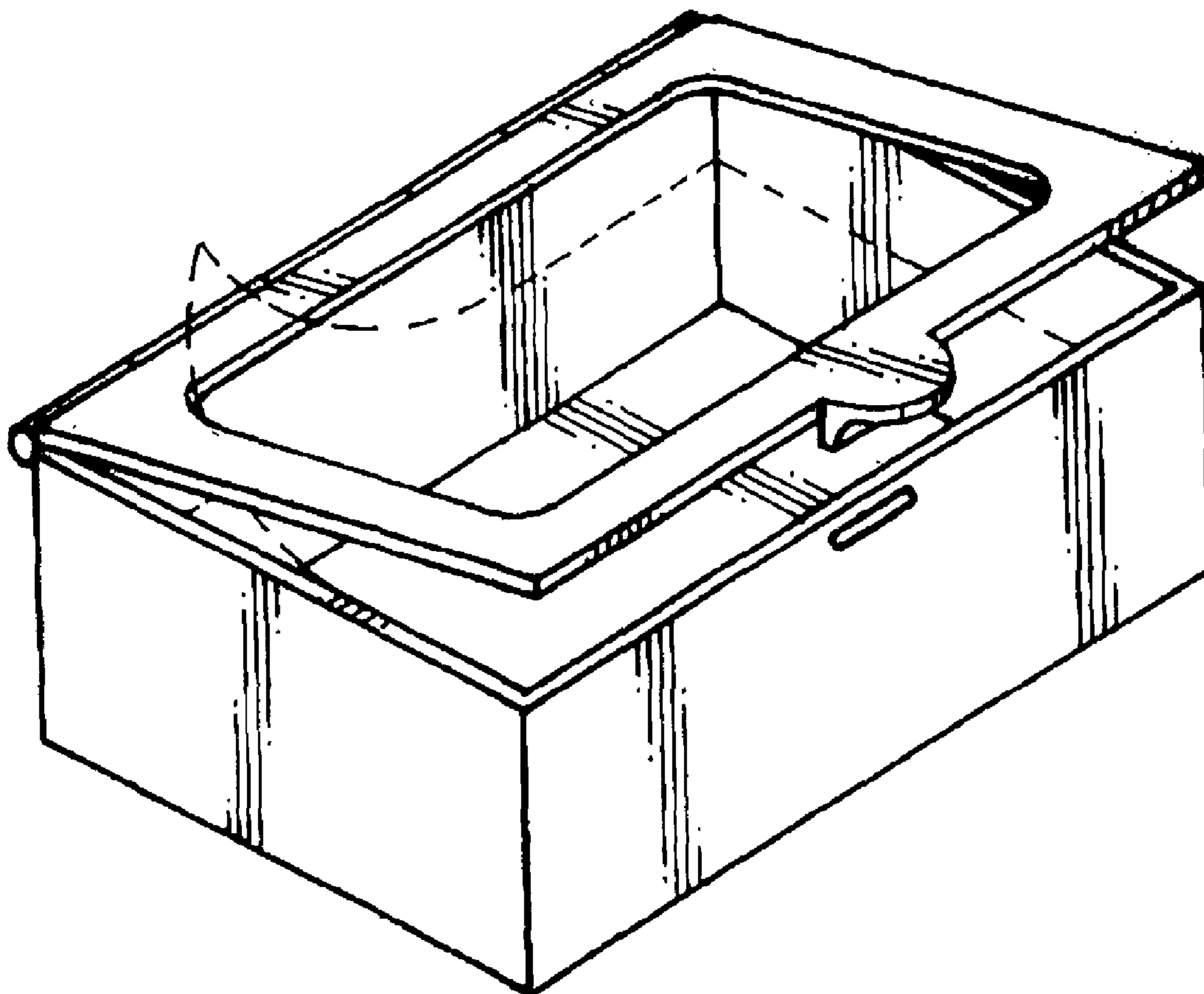
FIG. 1 is a perspective view of a latching dinner napkin dispenser with piano-type hinge showing my new design; the broken lines show environmental structure for illustrative purposes only and form no part of the claimed design; FIG. 2 is a front elevational view thereof; FIG. 3 is a rear elevational view thereof; FIG. 4 is a left side elevational view thereof, the right side elevational view being a mirror image thereof; FIG. 5 is a top plan view thereof; and, FIG. 6 is a bottom plan view thereof.

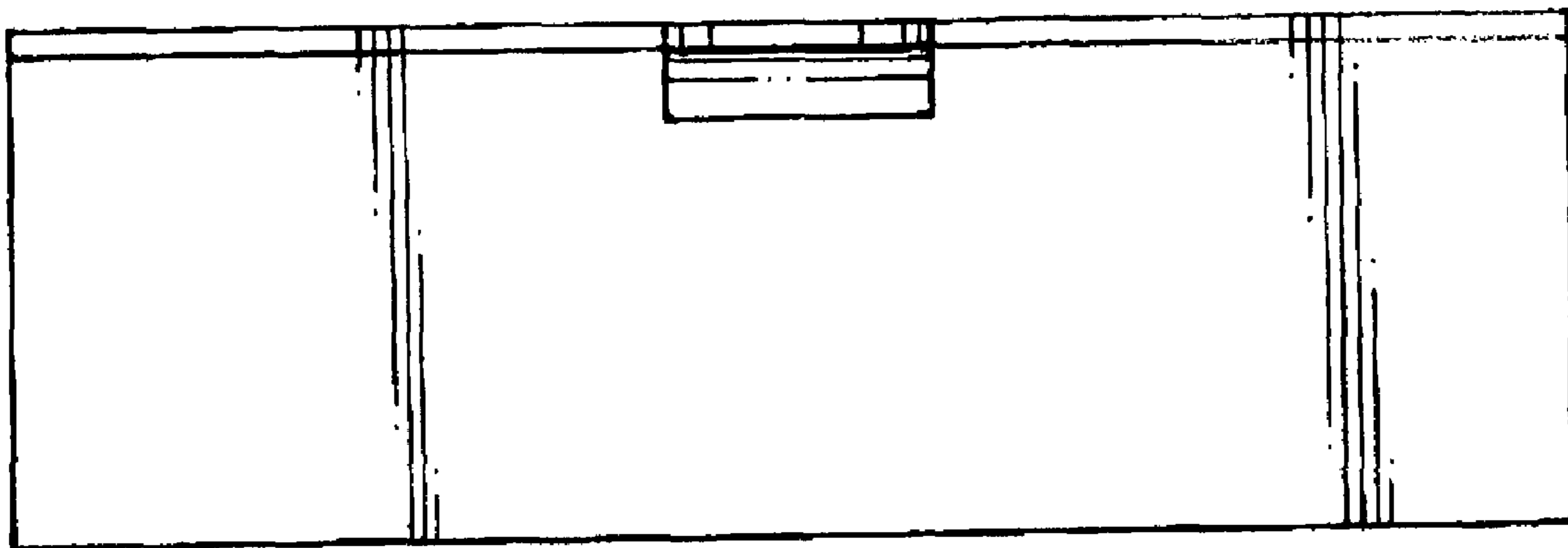
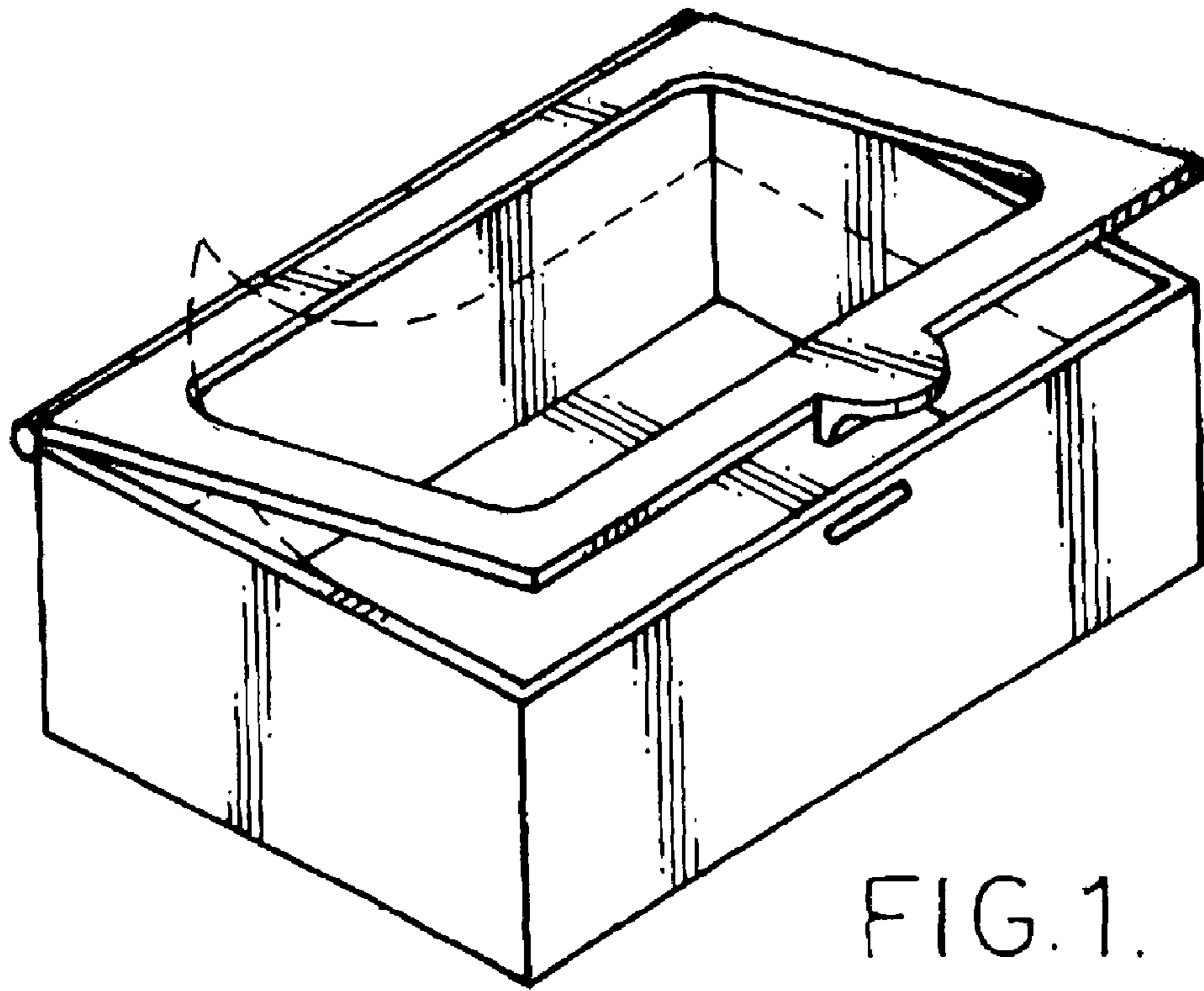
(56) **References Cited**

U.S. PATENT DOCUMENTS

229,006 A 6/1880 Patten
3,089,583 A * 5/1963 White 221/34
D212,041 S * 8/1968 Shapira D7/631
3,819,093 A 6/1974 Forbes, Jr.
4,027,795 A 6/1977 Rigden

1 Claim, 3 Drawing Sheets





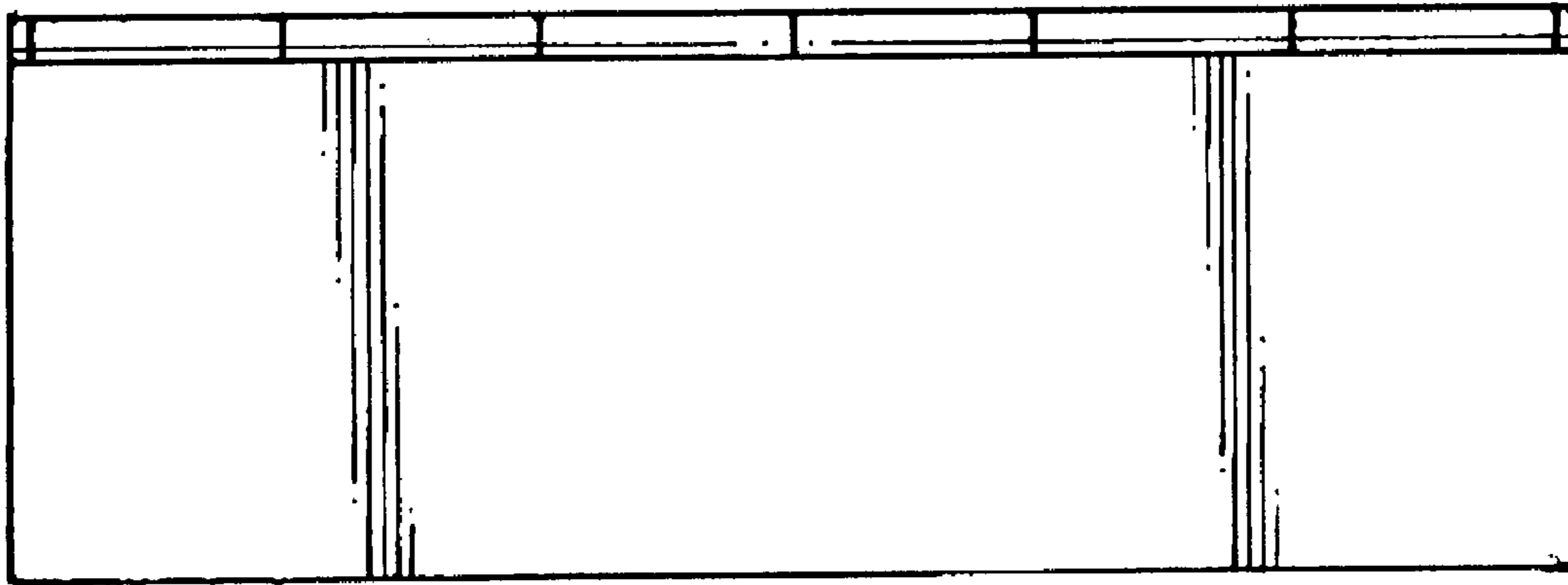


FIG. 3.

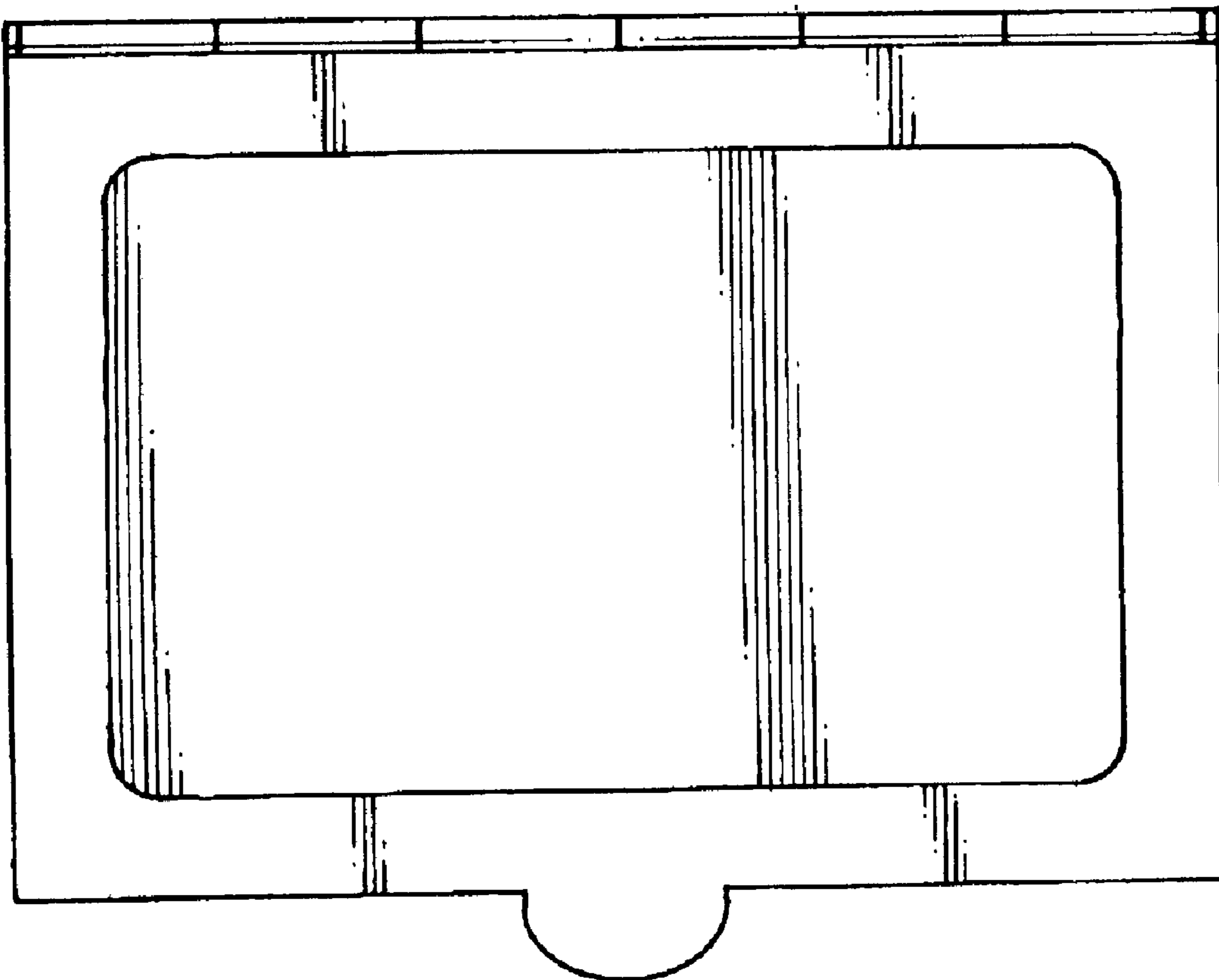


FIG. 5.

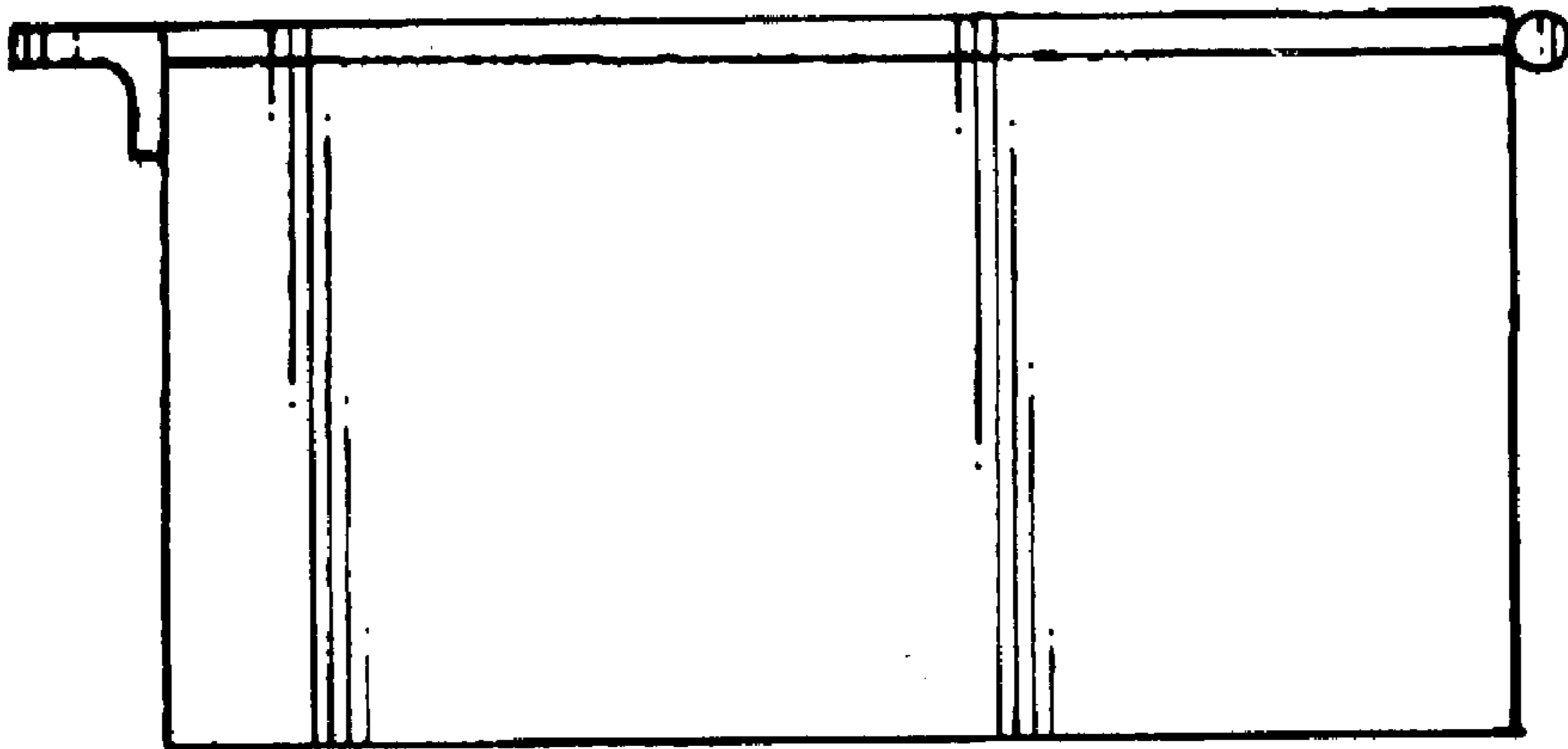


FIG. 4.

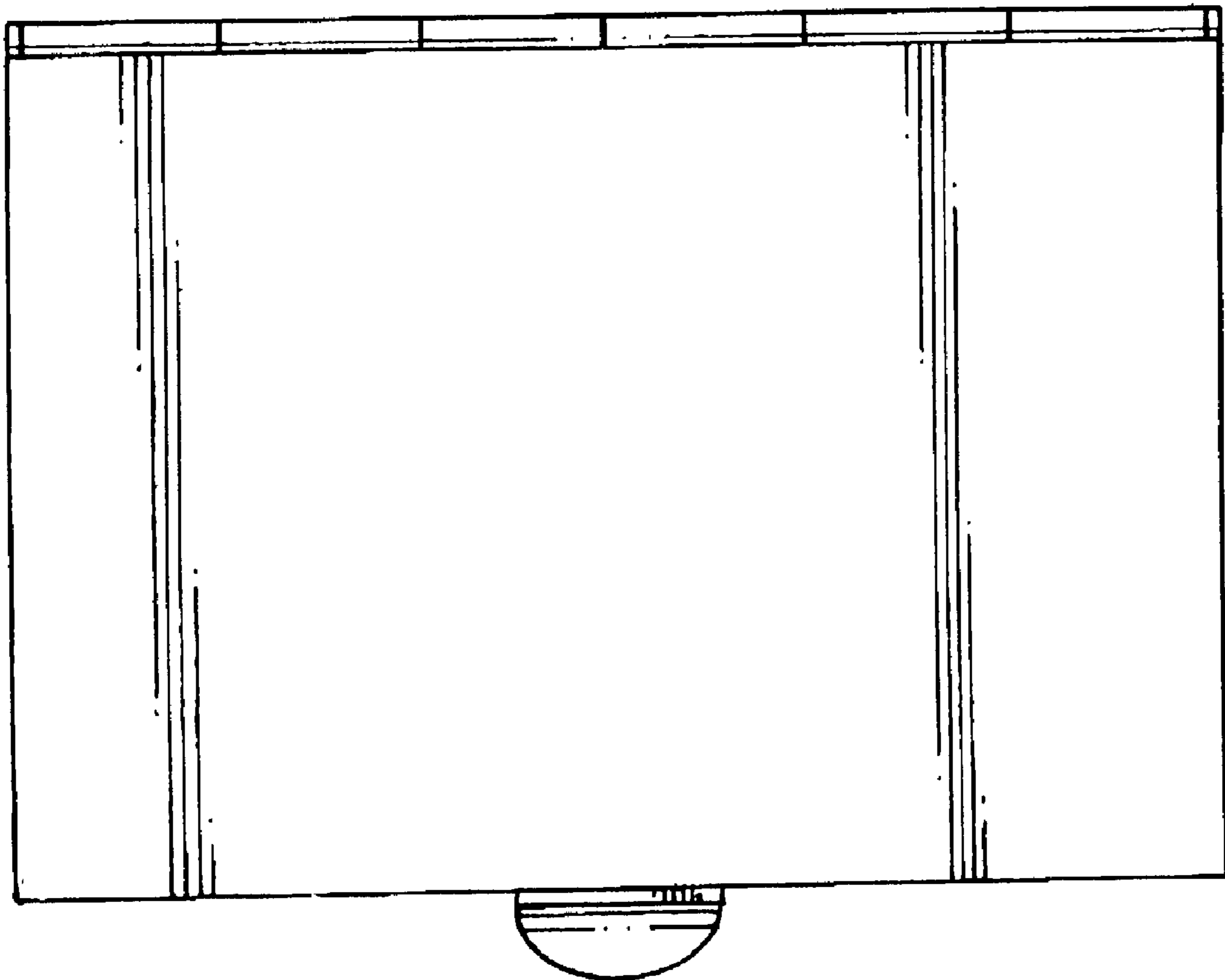


FIG. 6.