



US00D516388S

(12) **United States Design Patent**
Wells

(10) **Patent No.:** **US D516,388 S**
(45) **Date of Patent:** **** Mar. 7, 2006**

(54) **FOOD CONTAINER**

6,199,559 B1 * 3/2001 Nikolaus et al. 206/581
D472,774 S * 4/2003 Pelstring et al. D7/629

(76) Inventor: **Peter J. Wells**, P.O. Box 2270,
Dandenong North, Victoria (AU), 3175

* cited by examiner

(**) Term: **14 Years**

Primary Examiner—Terry A. Wallace
(74) *Attorney, Agent, or Firm*—David Kiewit

(21) Appl. No.: **29/212,607**

(57) **CLAIM**

(22) Filed: **Sep. 3, 2004**

The ornamental design for a food container, as shown.

(30) **Foreign Application Priority Data**

DESCRIPTION

Mar. 3, 2004 (AU) 819/04

(51) **LOC (8) Cl.** **07-01**

(52) **U.S. Cl.** **D7/629**

(58) **Field of Classification Search** D7/601,
D7/602, 629, 709, 710; D9/424-432; 206/223,
206/575, 541-549, 570, 581; 220/780-806;
229/400, 406, 902-906

See application file for complete search history.

FIG. 1 is a top plan view of a closed food container showing my new design.

FIG. 2 is a bottom plan view thereof.

FIG. 3 is a perspective view showing the rear and left sides thereof

FIG. 4 is a perspective view showing the front and right sides thereof.

FIG. 5 is a perspective view of my food container in a partially opened setting.

FIG. 6 is a perspective view of my food container in a completely opened setting.

FIG. 7 is a front elevational view of the entirely opened food container; and,

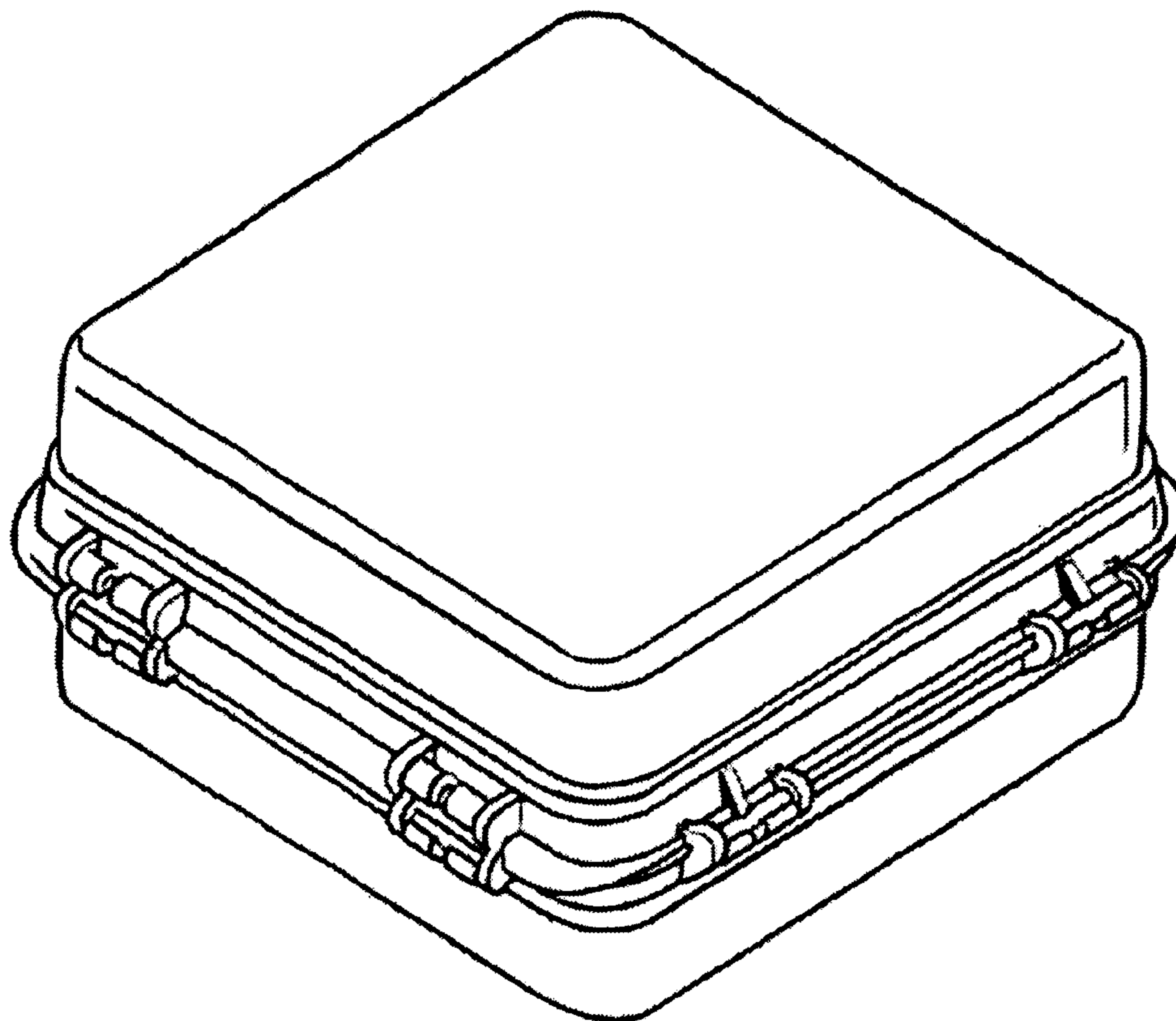
FIG. 8 is a rear elevational view of the entirely opened food container.

(56) **References Cited**

U.S. PATENT DOCUMENTS

1,542,115 A * 6/1925 Weis 206/501
3,372,690 A * 3/1968 Ruiz 206/546
3,999,661 A * 12/1976 Jones 229/406
5,323,926 A * 6/1994 Pomroy et al. 206/541
5,950,834 A * 9/1999 Woodnorth et al. 206/541

1 Claim, 5 Drawing Sheets



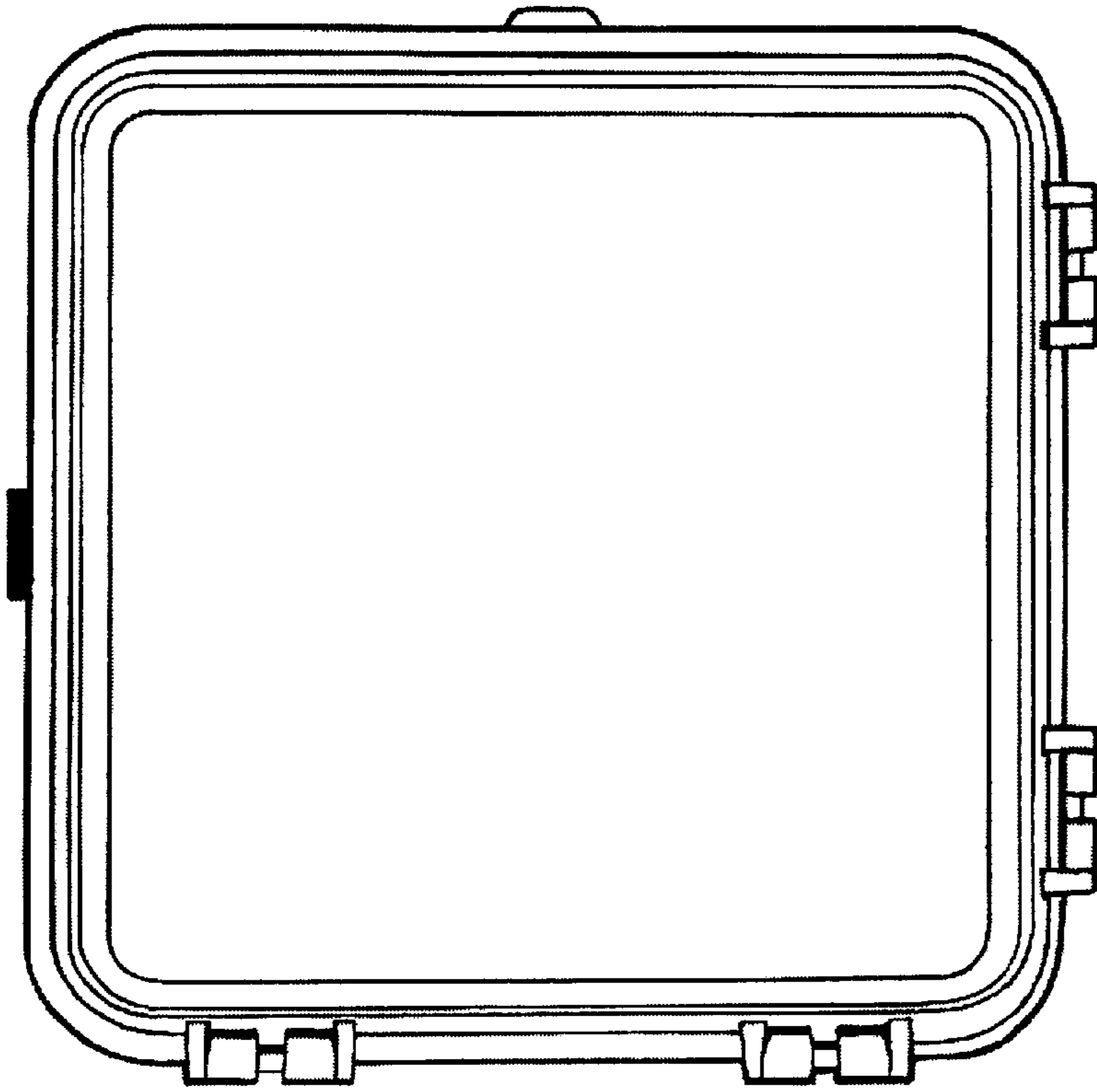


Fig. 2

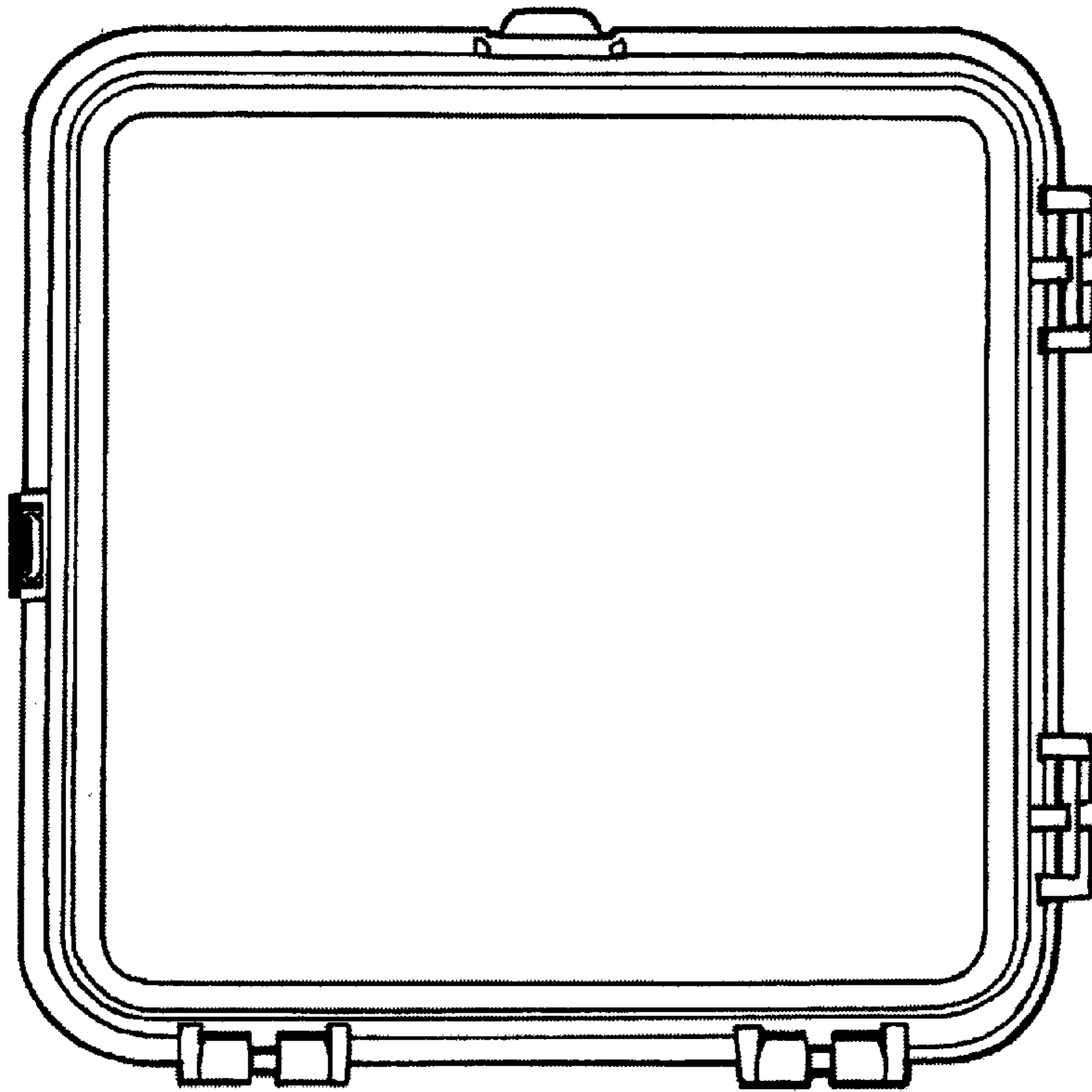


Fig. 1

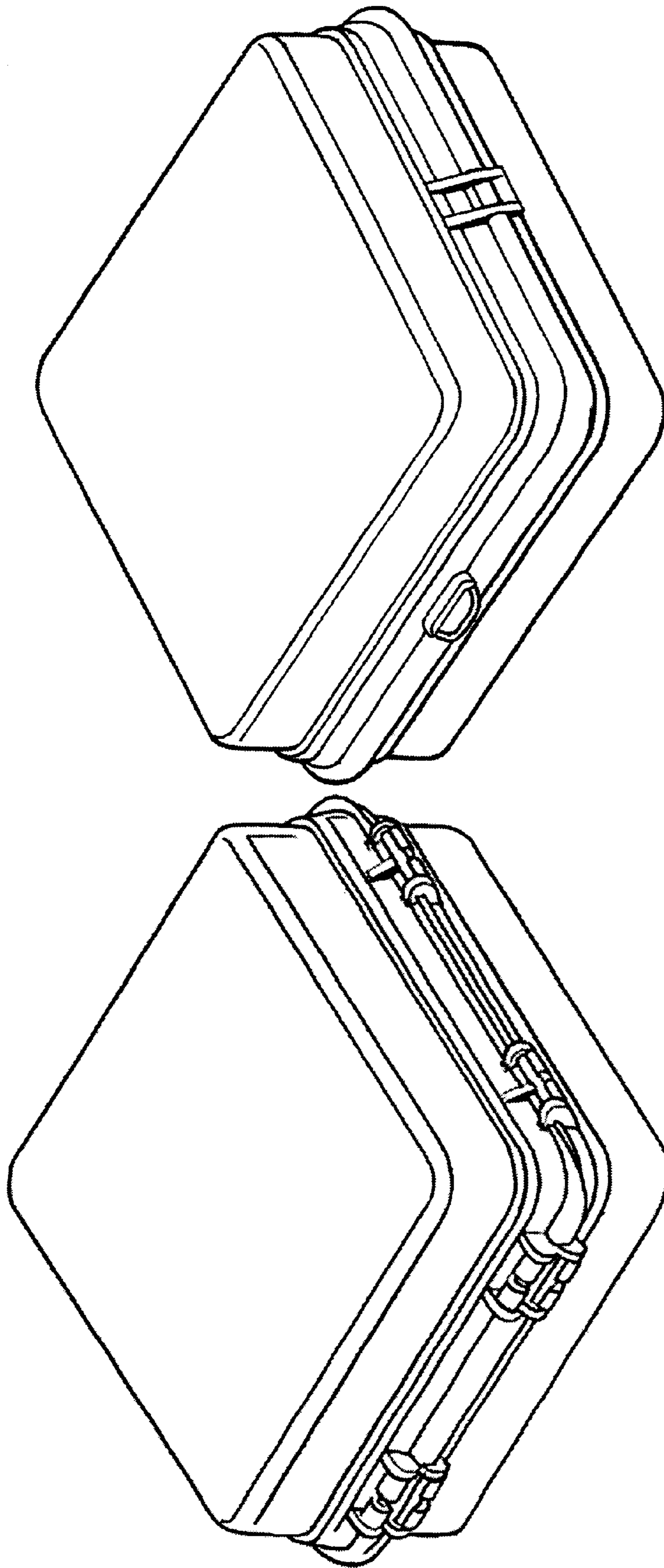


Fig. 3

Fig. 4

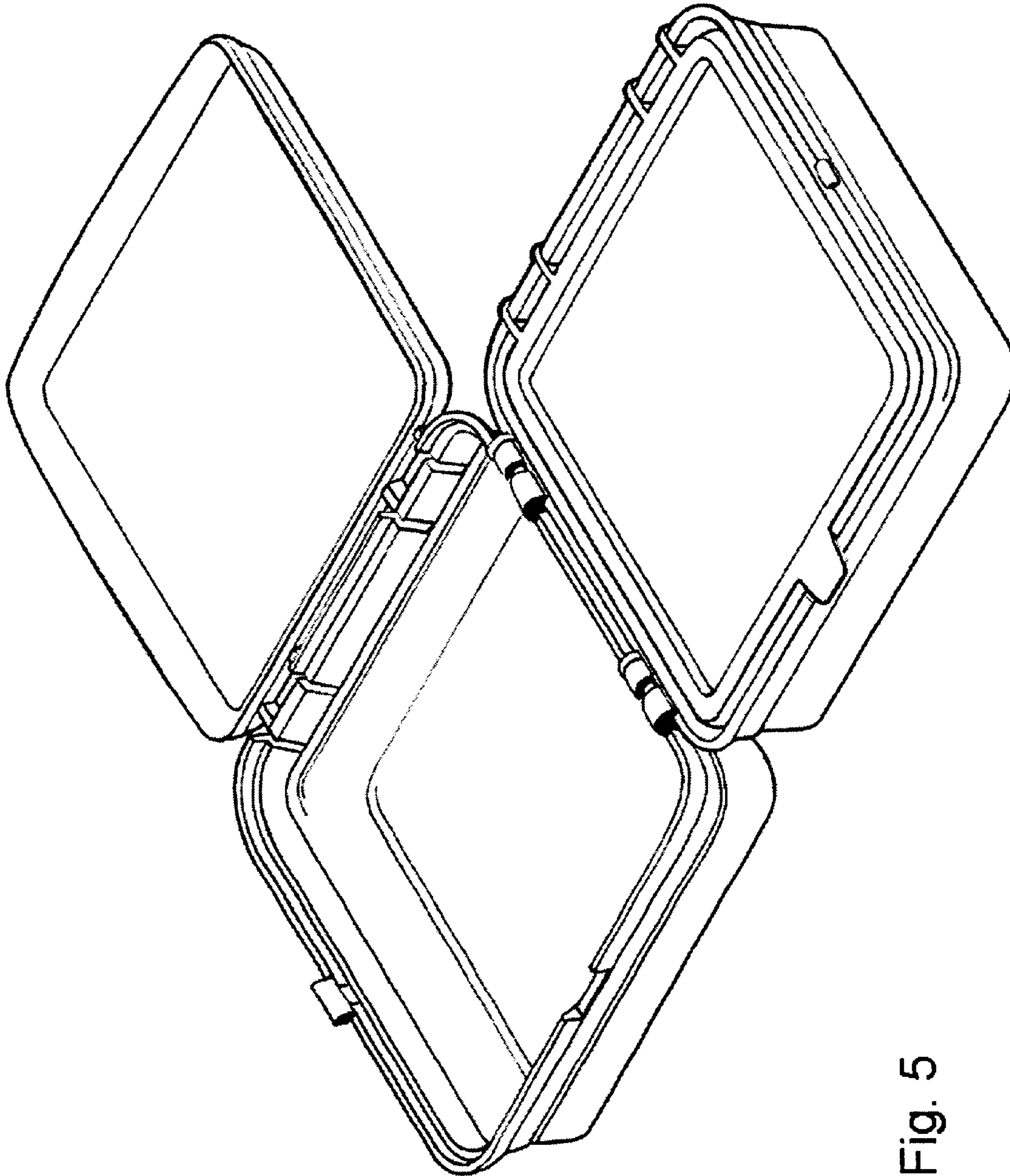


Fig. 5

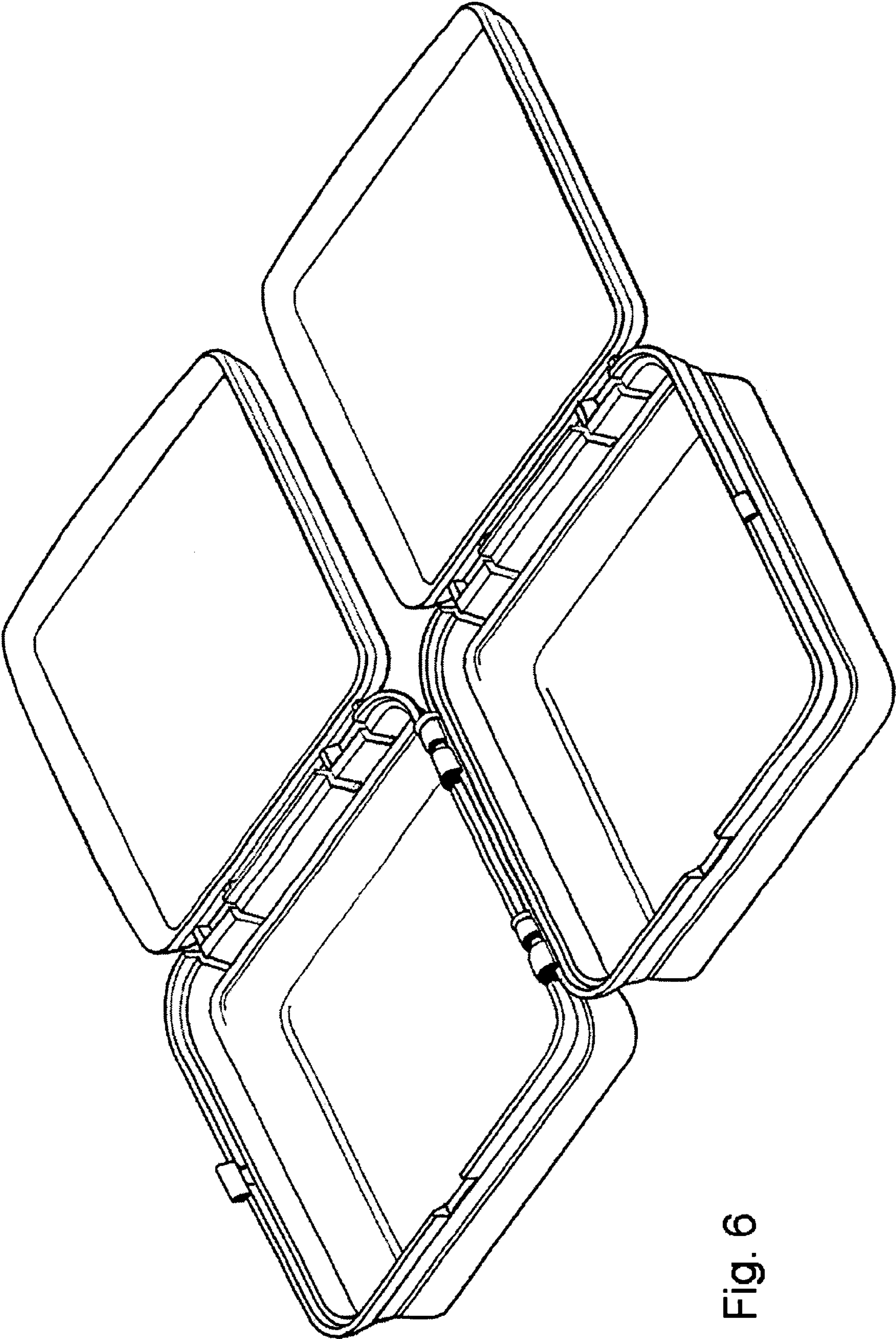


Fig. 6

Fig. 7

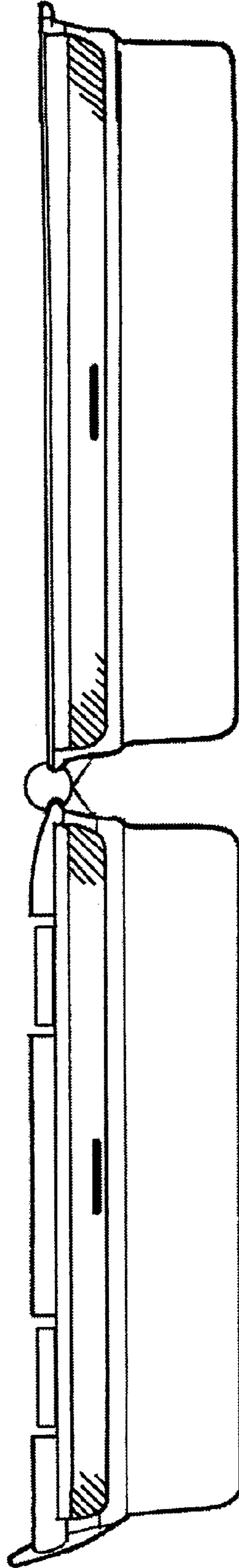
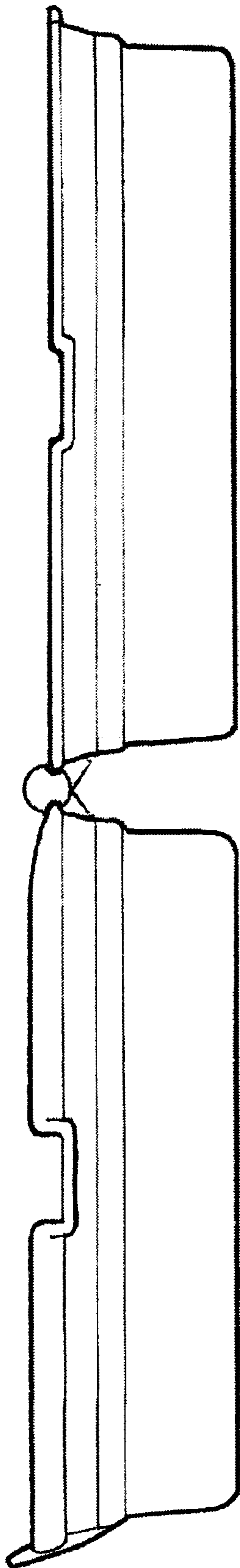


Fig. 8