



US00D516386S

(12) **United States Design Patent** (10) **Patent No.:** **US D516,386 S**  
**Lowe** (45) **Date of Patent:** **\*\* Mar. 7, 2006**

- (54) **BEVERAGE CAN COOLER** D394,517 S 5/1998 Gebhard, Sr.
- (76) Inventor: **Graham C. Lowe**, 2559 Caroline Ave., Bexley, OH (US) 43209 D395,200 S 6/1998 Bidwell
- (\*\*) Term: **14 Years** D398,193 S 9/1998 Sanchez
- (21) Appl. No.: **29/202,793** D402,503 S 12/1998 Sanchez
- (22) Filed: **Apr. 2, 2004** D405,650 S 2/1999 Meier
- D407,673 S 4/1999 Kiser
- D439,115 S 3/2001 Bidwell
- 6,206,223 B1 3/2001 Wicker
- D441,614 S \* 5/2001 Carroll ..... D7/624.2
- D445,778 S 7/2001 Eiler
- D448,250 S \* 9/2001 Brangle et al. .... D7/606

**Related U.S. Application Data**

- (63) Continuation-in-part of application No. 29/174,100, filed on Jan. 10, 2003, now Pat. No. Des. 504,285.
- (51) **LOC (8) Cl.** ..... **07-06**
- (52) **U.S. Cl.** ..... **D7/625**
- (58) **Field of Classification Search** ..... D7/605-608, D7/619-625; D12/134, 136, 152, 153; 62/457.1-457.7; 215/392-396; 220/737, 739, 902, 903  
See application file for complete search history.

\* cited by examiner

*Primary Examiner*—Terry A. Wallace  
(74) *Attorney, Agent, or Firm*—Jason H. Foster; Kremblas, Foster, Phillips & Pollick

(57) **CLAIM**

The ornamental design for a beverage can cooler, as shown and described.

**DESCRIPTION**

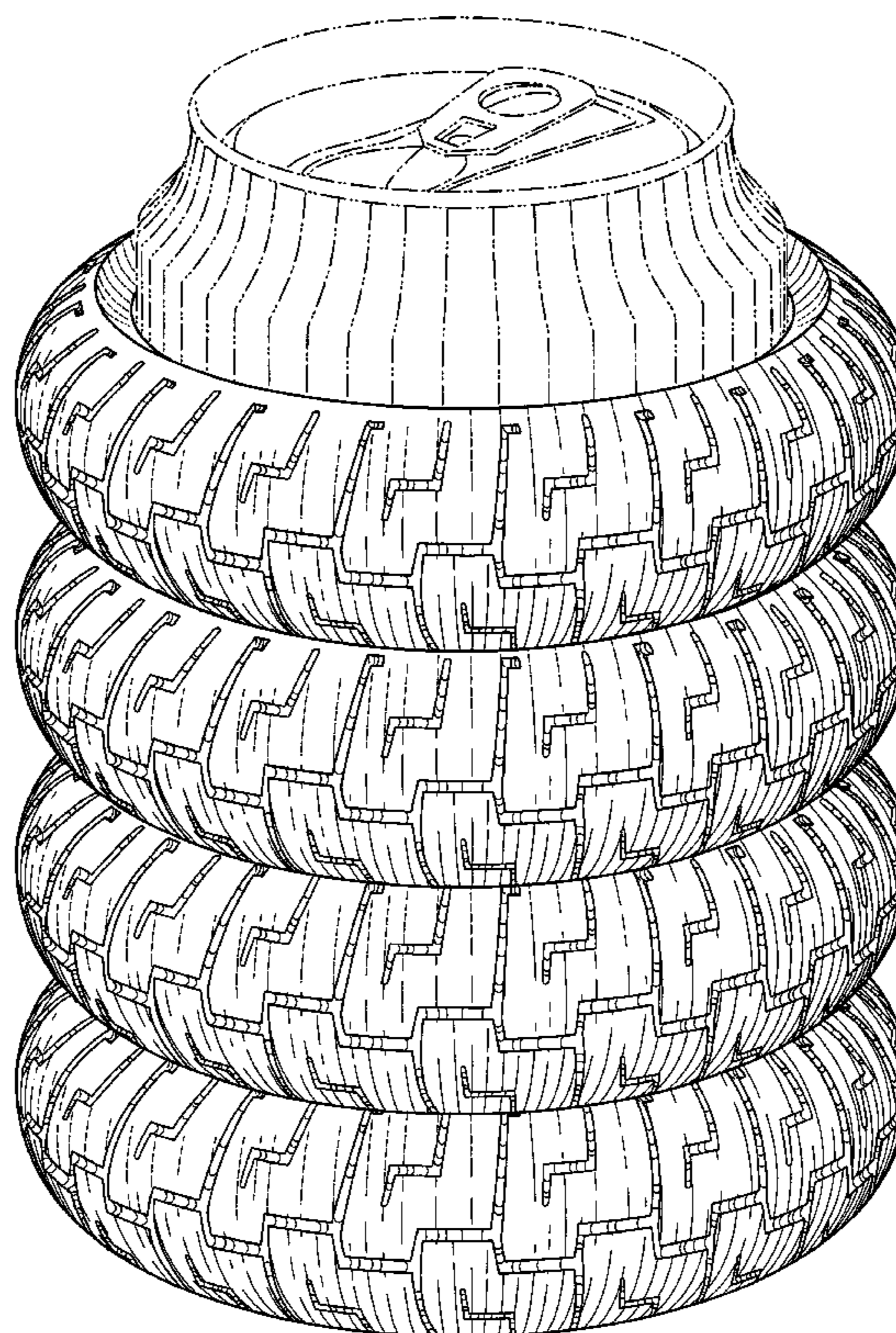
FIG. 1 is a perspective view of a cruiser beverage can cooler showing my new design. A beverage can is shown in broken lines in a preferred relation to the cooler.  
FIG. 2 is a top view thereof.  
FIG. 3 is a bottom view thereof; and,  
FIG. 4 is a side view thereof. All other sides thereof are substantially identical.

(56) **References Cited**

**U.S. PATENT DOCUMENTS**

- D183,288 S 7/1958 Nappe
- 4,462,444 A \* 7/1984 Larson ..... 215/395
- D304,538 S \* 11/1989 Byrns ..... D7/608
- D334,324 S 3/1993 Pierce
- D340,103 S 10/1993 Nolan
- D347,971 S 6/1994 Krugman
- D357,386 S 4/1995 Jones

**1 Claim, 3 Drawing Sheets**



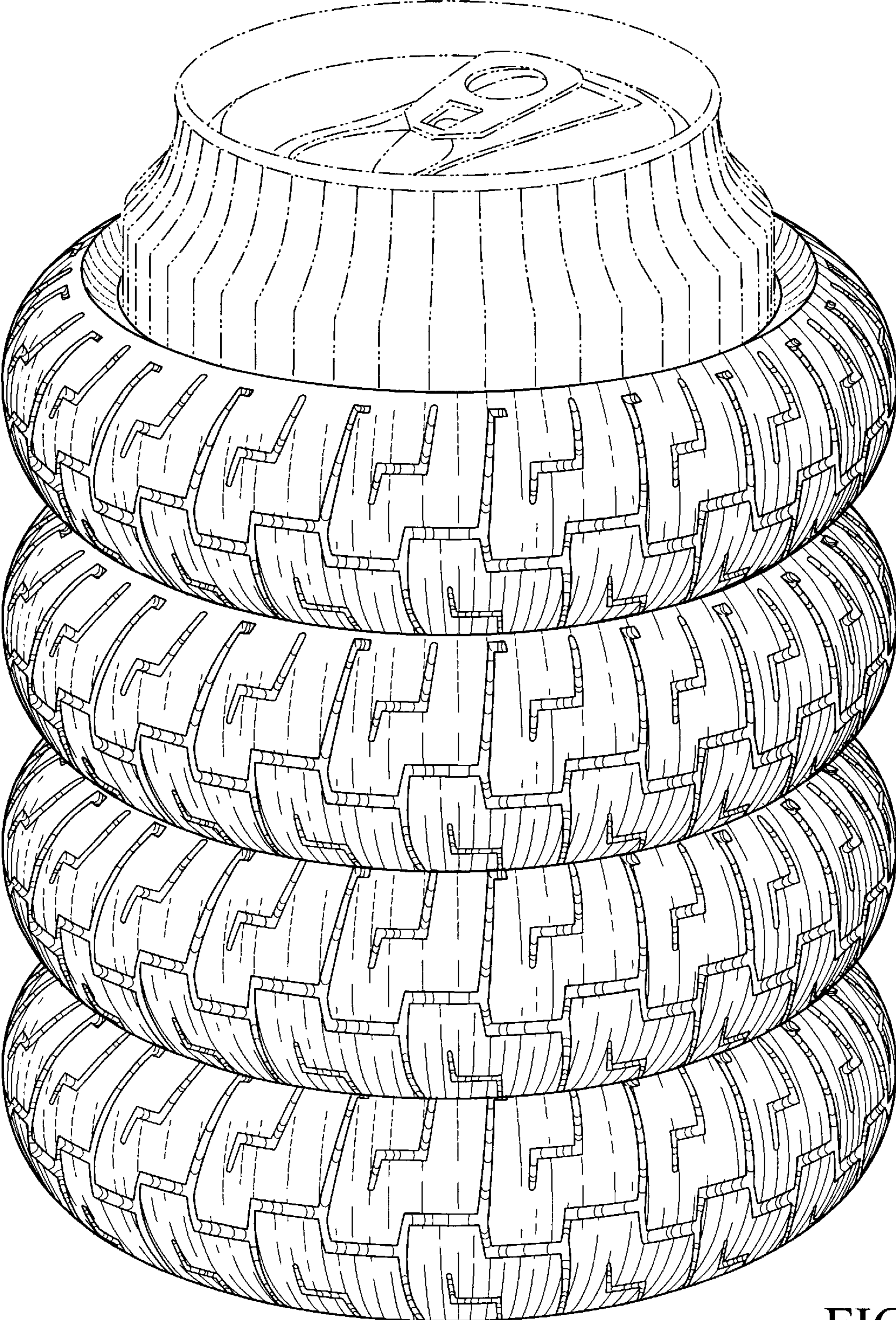


FIG. 1

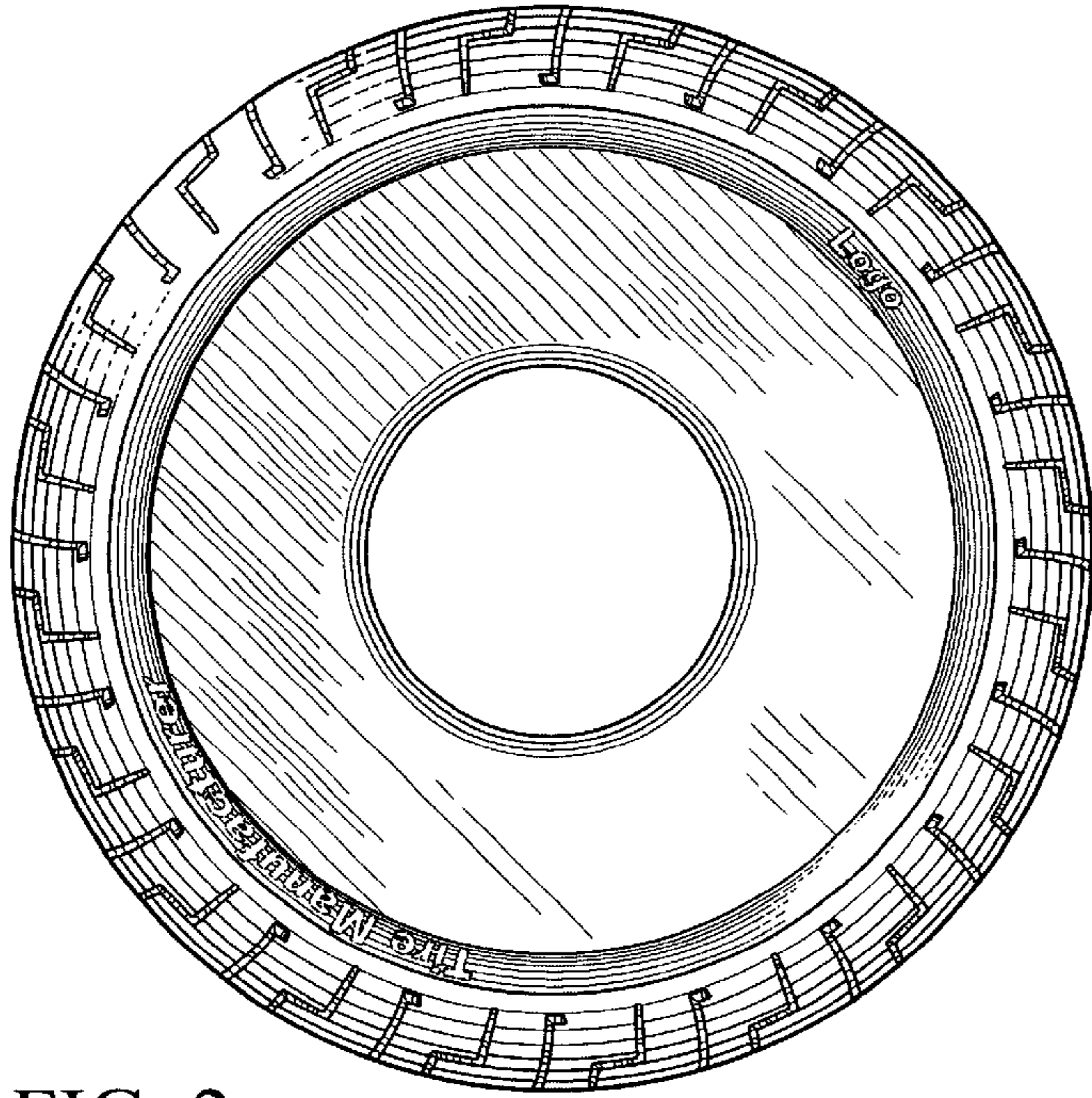


FIG. 2

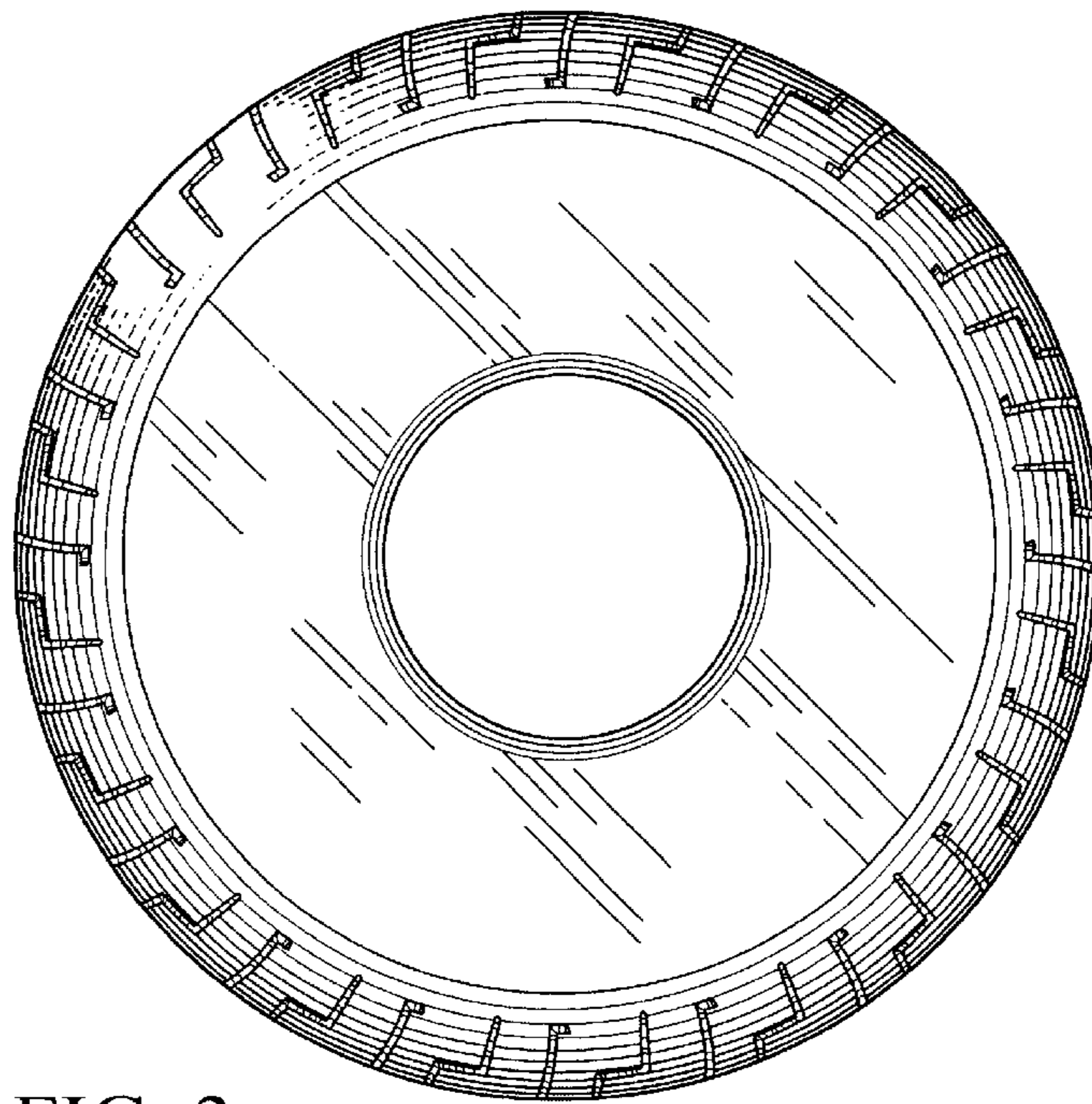


FIG. 3

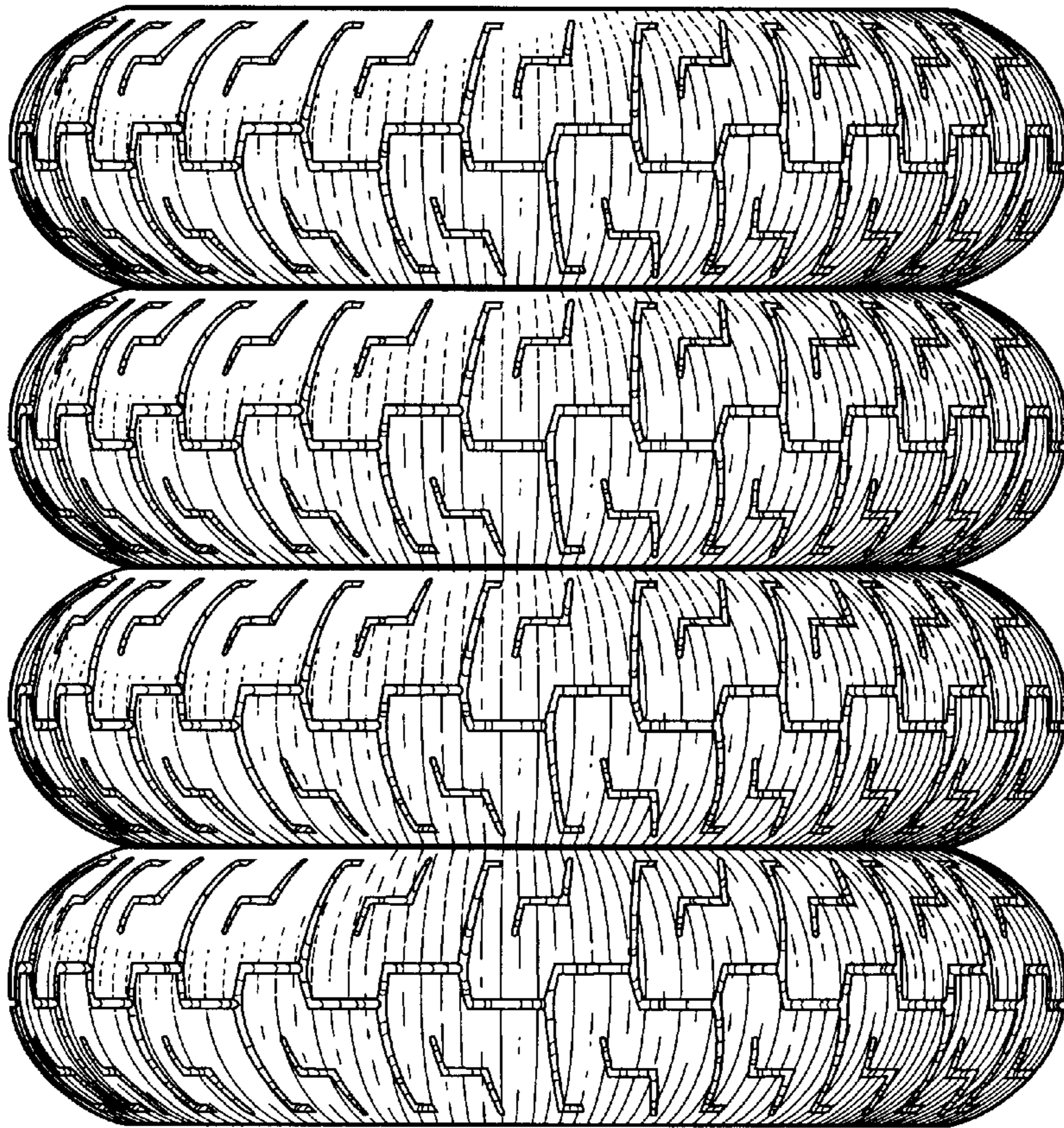


FIG. 4