



US00D516381S

(12) **United States Design Patent**
Davies et al.

(10) **Patent No.:** **US D516,381 S**
(45) **Date of Patent:** **** Mar. 7, 2006**

- (54) **CUP**
- (75) Inventors: **Jonathan Neil Davies**, Cuddington (GB); **William Arthur Hinshelwood Sherman**, Greater London (GB)
- (73) Assignee: **Sara Lee/DE N.V.**, Utrecht (NL)
- (**) Term: **14 Years**
- (21) Appl. No.: **29/207,697**
- (22) Filed: **Jun. 17, 2004**
- (30) **Foreign Application Priority Data**
Dec. 22, 2003 (EM) 000118559
- (51) **LOC (8) Cl.** **07-01**
- (52) **U.S. Cl.** **D7/536; D7/535**
- (58) **Field of Classification Search** D7/511, D7/510, 536, 533, 507, 509, 587, 555, 501, D7/6, 584, 550.1, 554.2, 566, 513, 505, 535, D7/323; 215/6, 376, 398, 378, 377; 220/23.83, 220/574, 575, 710.5, 212.5, 705, 606, 603; 141/331, 363; 374/141; 219/432; 132/289; 224/483; 40/324
See application file for complete search history.

(56) **References Cited**

U.S. PATENT DOCUMENTS

1,120,428 A	*	12/1914	White et al.	215/6
2,151,023 A	*	3/1939	Gibson	220/23.83
2,372,872 A	*	4/1945	Wolper	141/331
2,655,016 A	*	10/1953	Hudson	220/575
3,135,118 A	*	6/1964	Zlobin	374/141
3,190,486 A	*	6/1965	Rech	220/574
D205,534 S	*	8/1966	Gulotta	D7/507
D228,273 S	*	9/1973	Refsgaard	D7/536
3,890,484 A	*	6/1975	Kamins et al.	219/432
D244,738 S		6/1977	Juhlin		
D252,313 S		7/1979	Landry		
D253,214 S		10/1979	Wilson		
D254,463 S		3/1980	Wilson		
D285,637 S		9/1986	Zieff et al.		
D286,725 S		11/1986	Zieff		

D289,955 S	*	5/1987	Buist	D7/507
D299,688 S	*	2/1989	Chung	D7/536
D318,980 S	*	8/1991	Unger	D7/536
D319,557 S	*	9/1991	Unger	D7/536
D321,113 S	*	10/1991	Unger	D7/536
5,419,455 A	*	5/1995	Russeau	220/575
D388,508 S		12/1997	Hsiao		
D396,605 S	*	8/1998	Benson	D7/536
D398,477 S	*	9/1998	Joergensen	D7/507
D402,851 S		12/1998	Stauffer		
D423,292 S	*	4/2000	Horvat	D7/584
D441,256 S		5/2001	Pellegrino		
D442,829 S	*	5/2001	Trombly	D7/536
D447,005 S	*	8/2001	Trombly	D7/536
D448,622 S	*	10/2001	Horvat	D7/555
D451,761 S		12/2001	Poly		
D460,662 S		7/2002	Basden		
D462,876 S	*	9/2002	Janky et al.	D7/536

(Continued)

Primary Examiner—M. N. Pandozzi
(74) *Attorney, Agent, or Firm*—Kilpatrick Stockton LLP

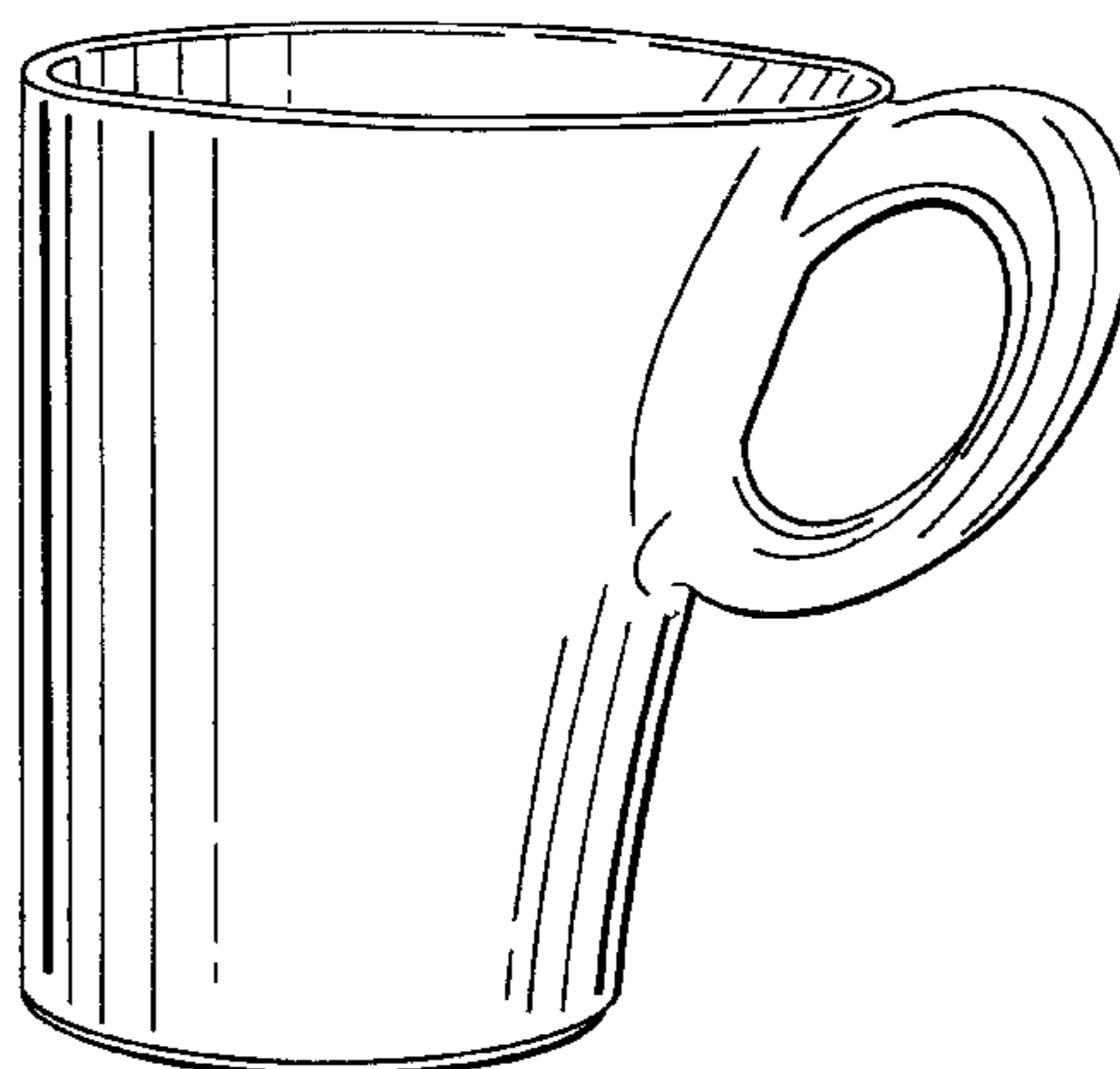
(57) **CLAIM**

We claim the ornamental design for a cup, as shown.

DESCRIPTION

FIG. 1 is a perspective view of a cup showing our new design;
 FIG. 2 is a front elevational view thereof;
 FIG. 3 is a rear elevational view thereof;
 FIG. 4 is a left side elevational view thereof;
 FIG. 5 is a right side elevational view thereof;
 FIG. 6 is a bottom plan view thereof;
 FIG. 7 is a top plan view thereof;
 FIG. 8 is a perspective view of a cup showing a second embodiment of our new design;
 FIG. 9 is a front elevational view thereof;
 FIG. 10 is a rear elevational view thereof;
 FIG. 11 is a left side elevational view thereof;
 FIG. 12 is a right side elevational view thereof;
 FIG. 13 is a top plan view thereof; and,
 FIG. 14 is a bottom plan view thereof.

1 Claim, 8 Drawing Sheets



US D516,381 S

Page 2

U.S. PATENT DOCUMENTS

D465,384 S	11/2002	Schanzer		
D466,755 S	12/2002	Henry		
D469,660 S	* 2/2003	Kortleven	D7/587	
D470,015 S	* 2/2003	Kortleven et al.	D7/536	
D472,770 S	4/2003	Wellner et al.		
D474,940 S	* 5/2003	Wellner	D7/566	
D485,730 S	* 1/2004	Thun	D7/511	
D488,029 S	* 4/2004	Bodum	D7/536	
D499,609 S	* 12/2004	Bodum	D7/536	

* cited by examiner

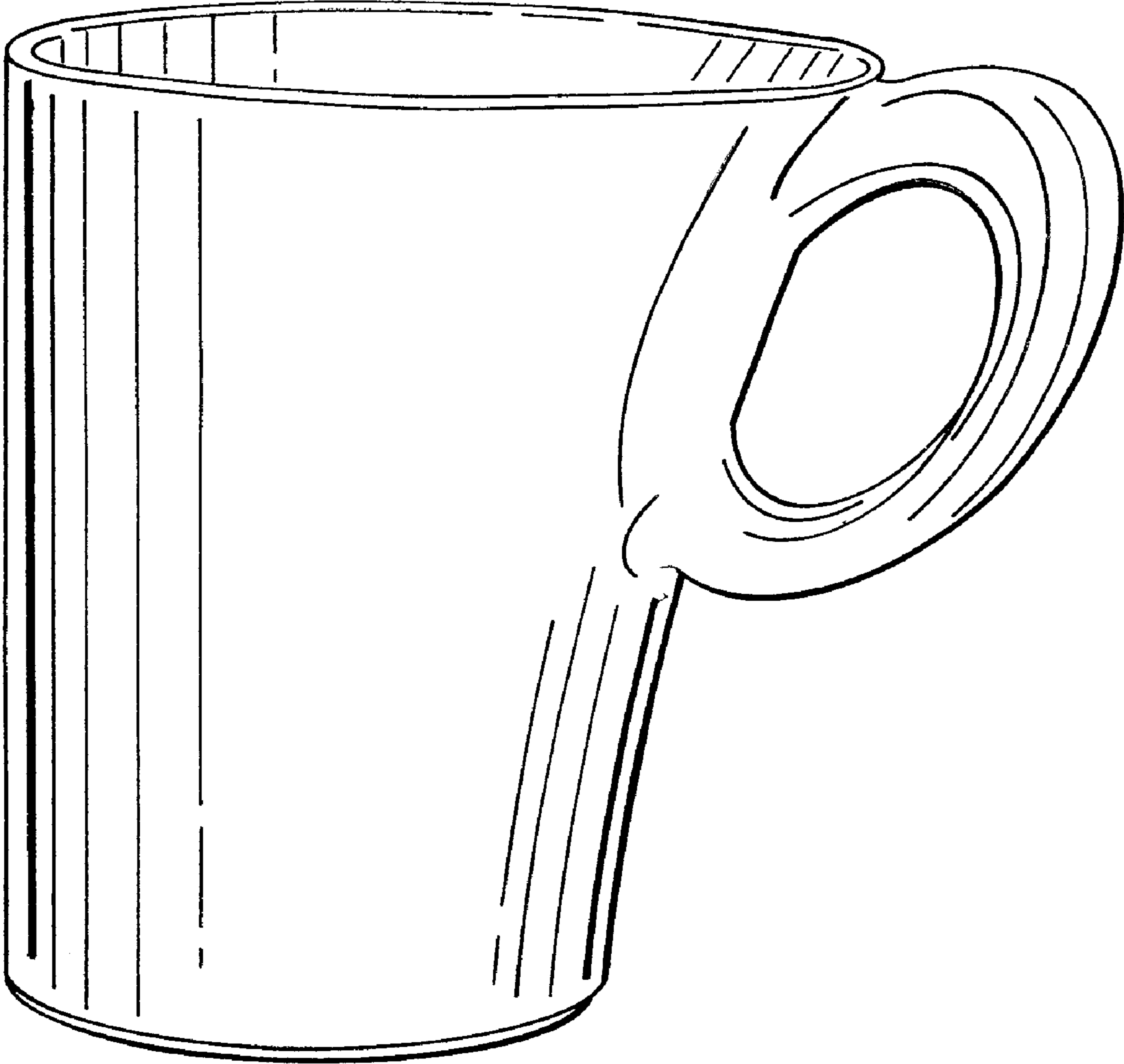


FIG. 1

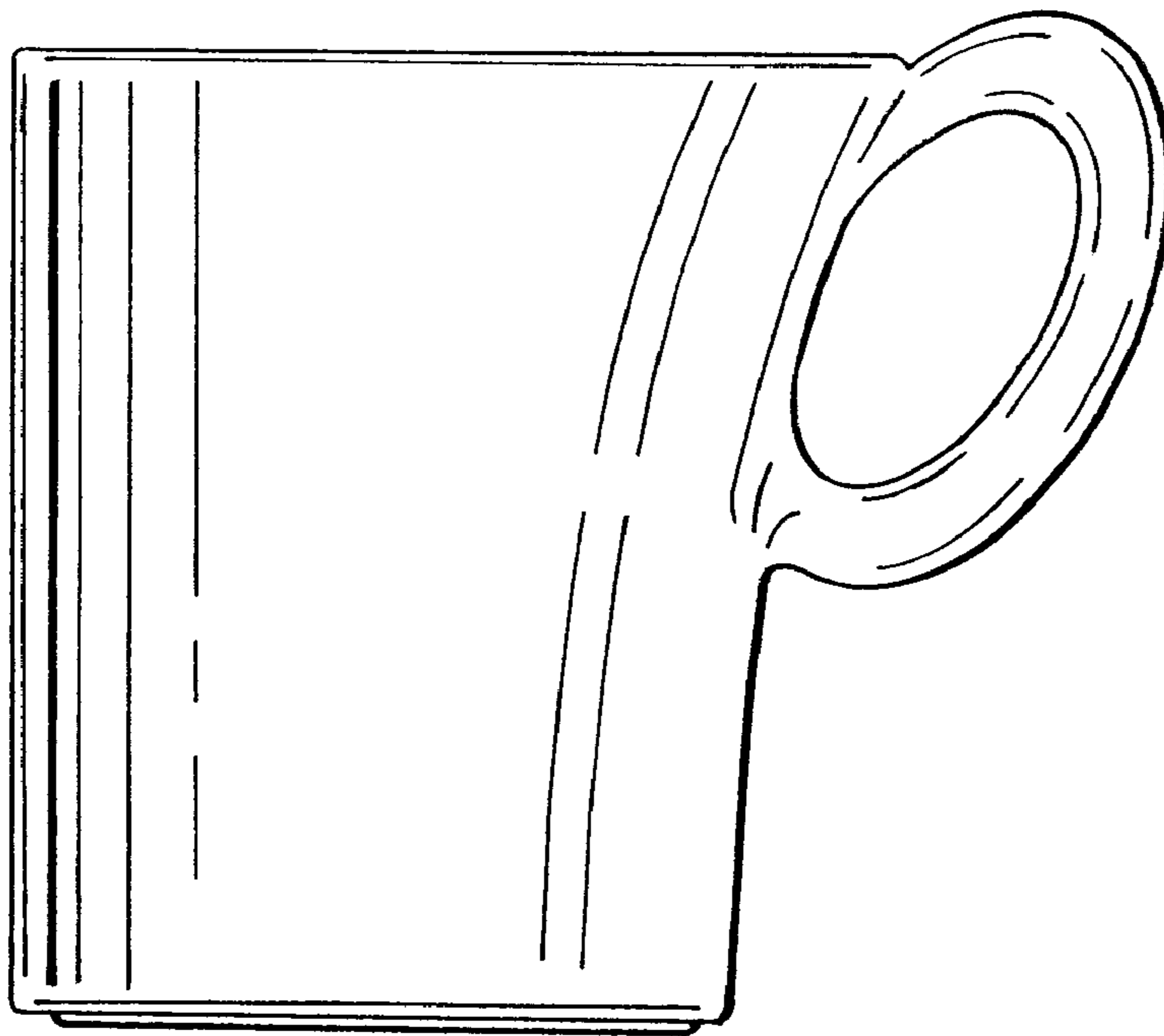


FIG. 2

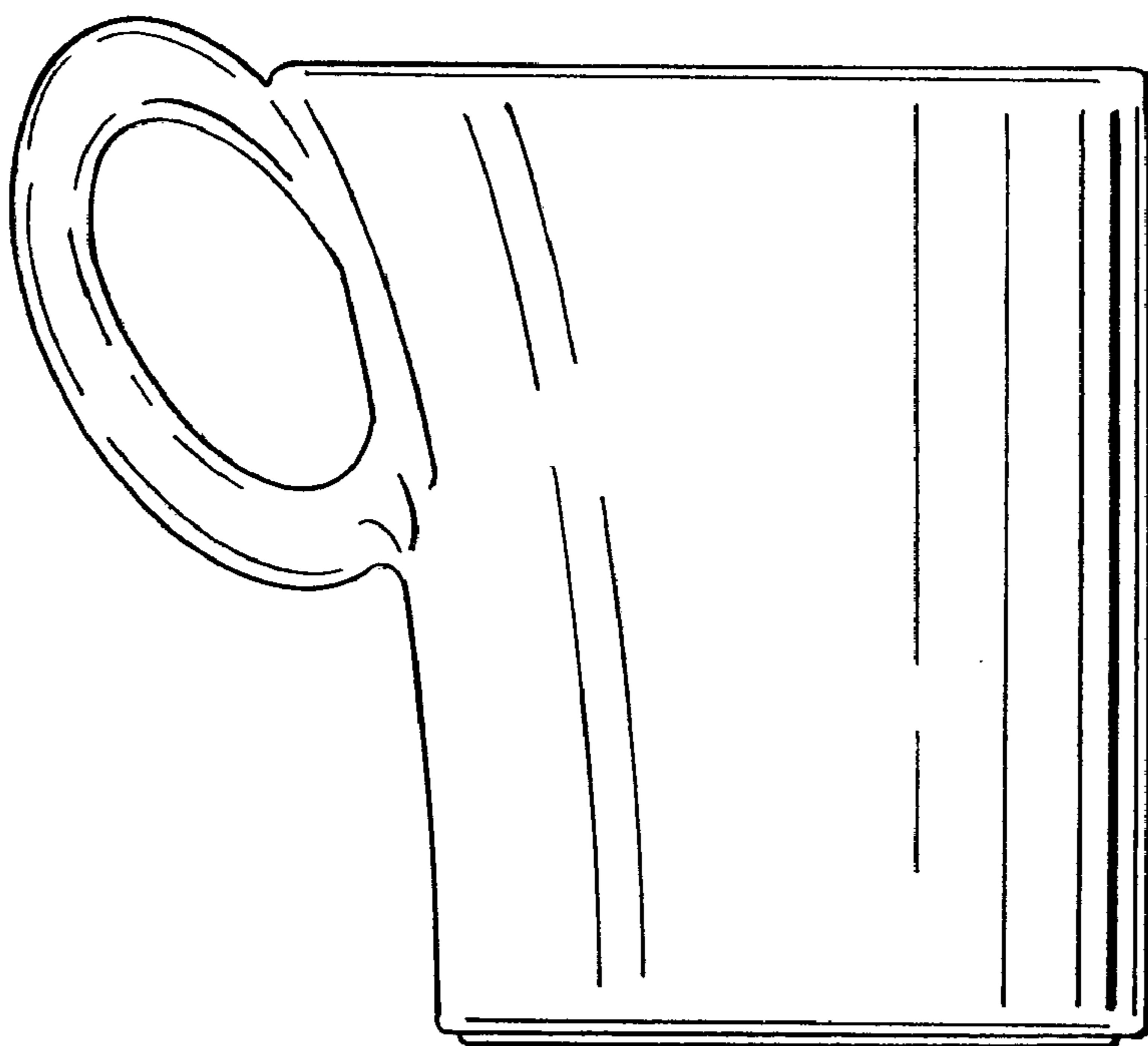


FIG. 3

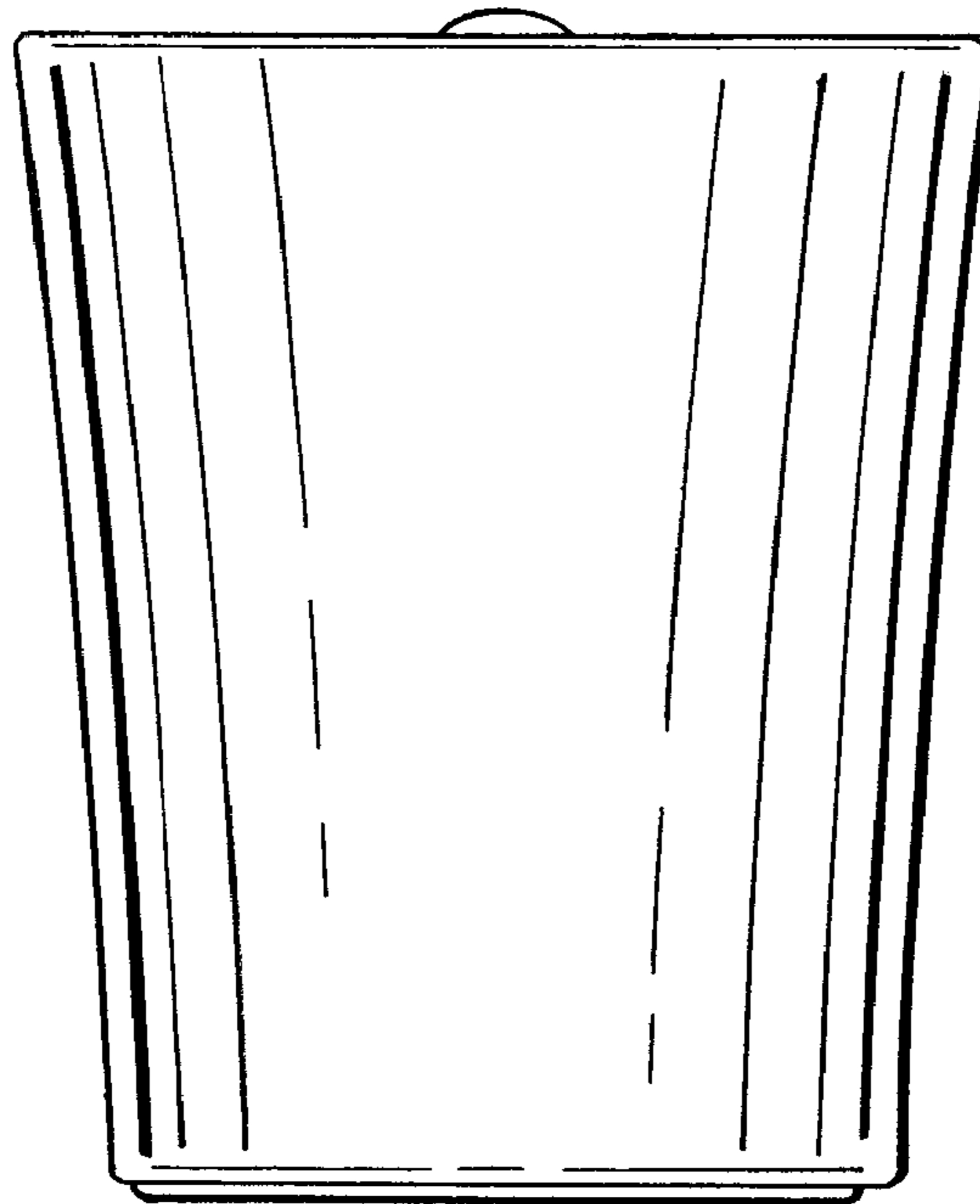


FIG. 4

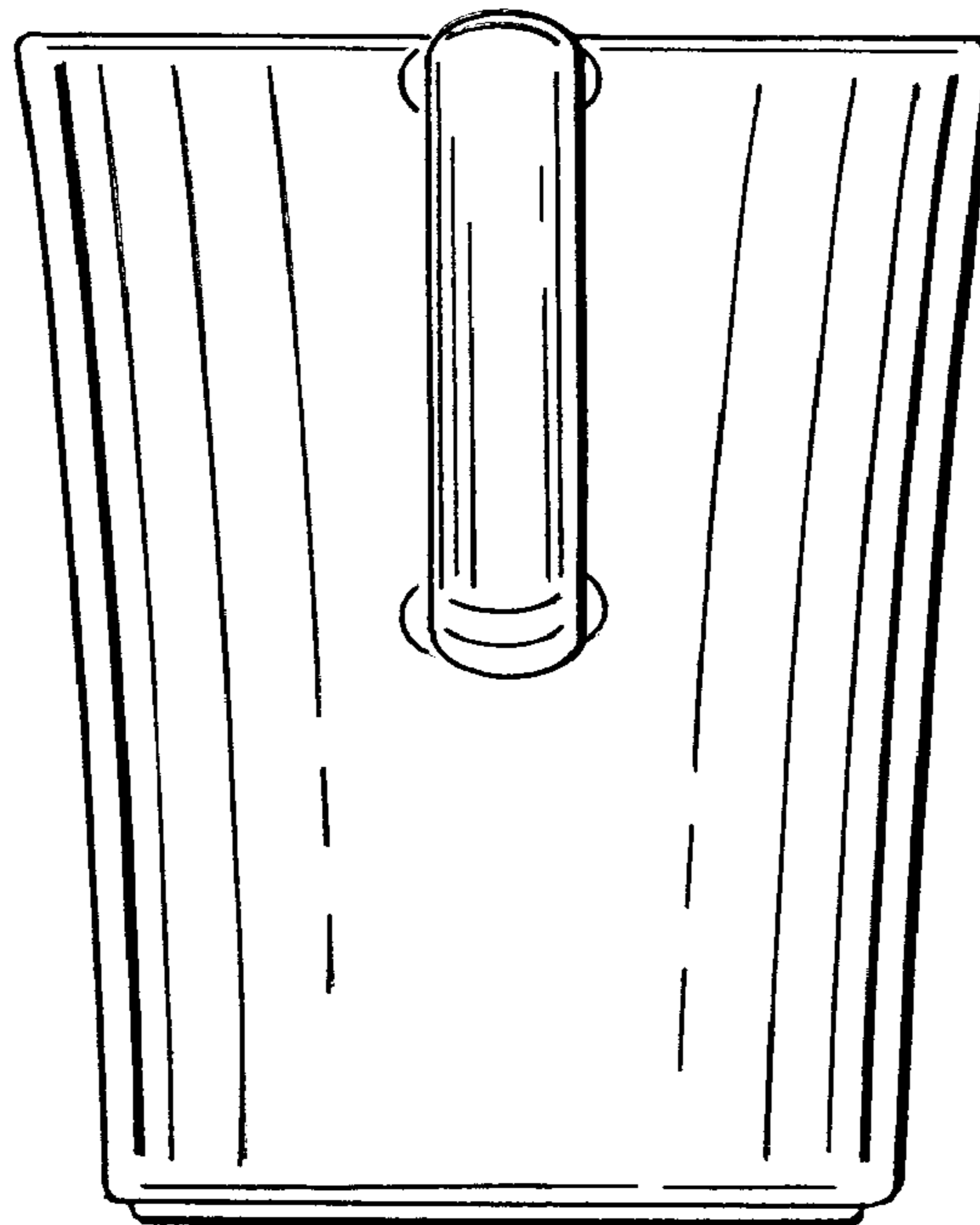


FIG. 5

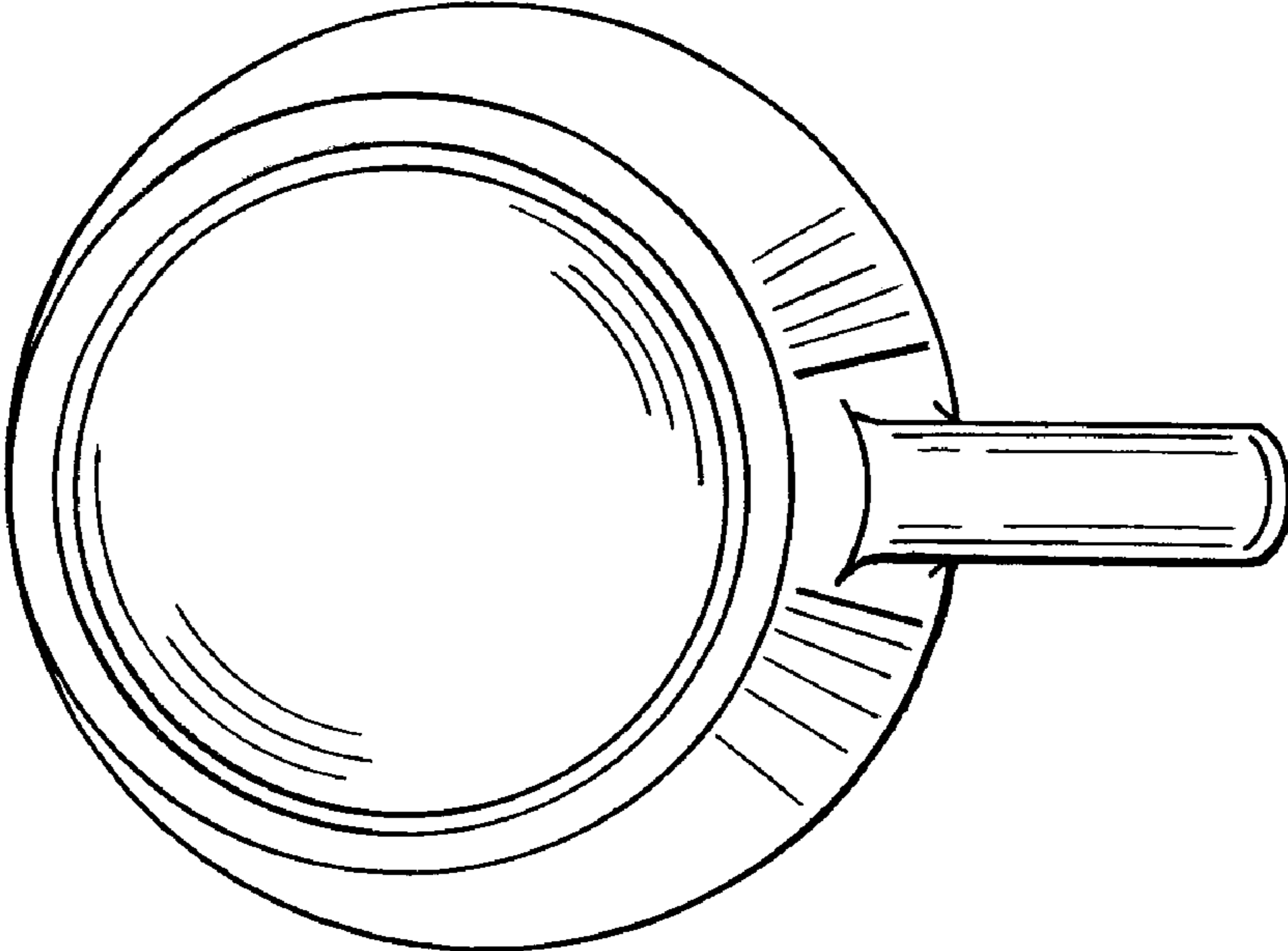


FIG. 6

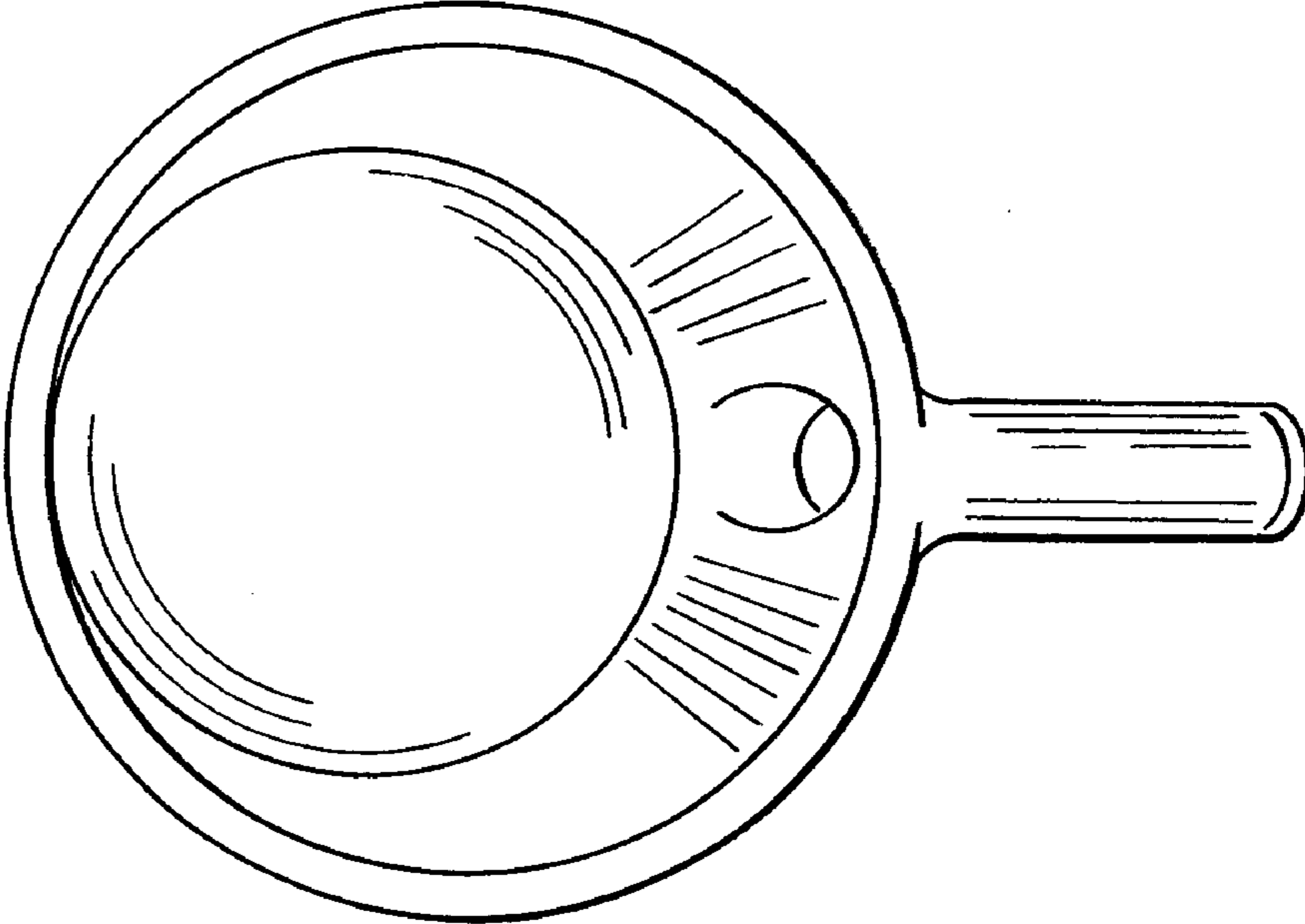


FIG. 7

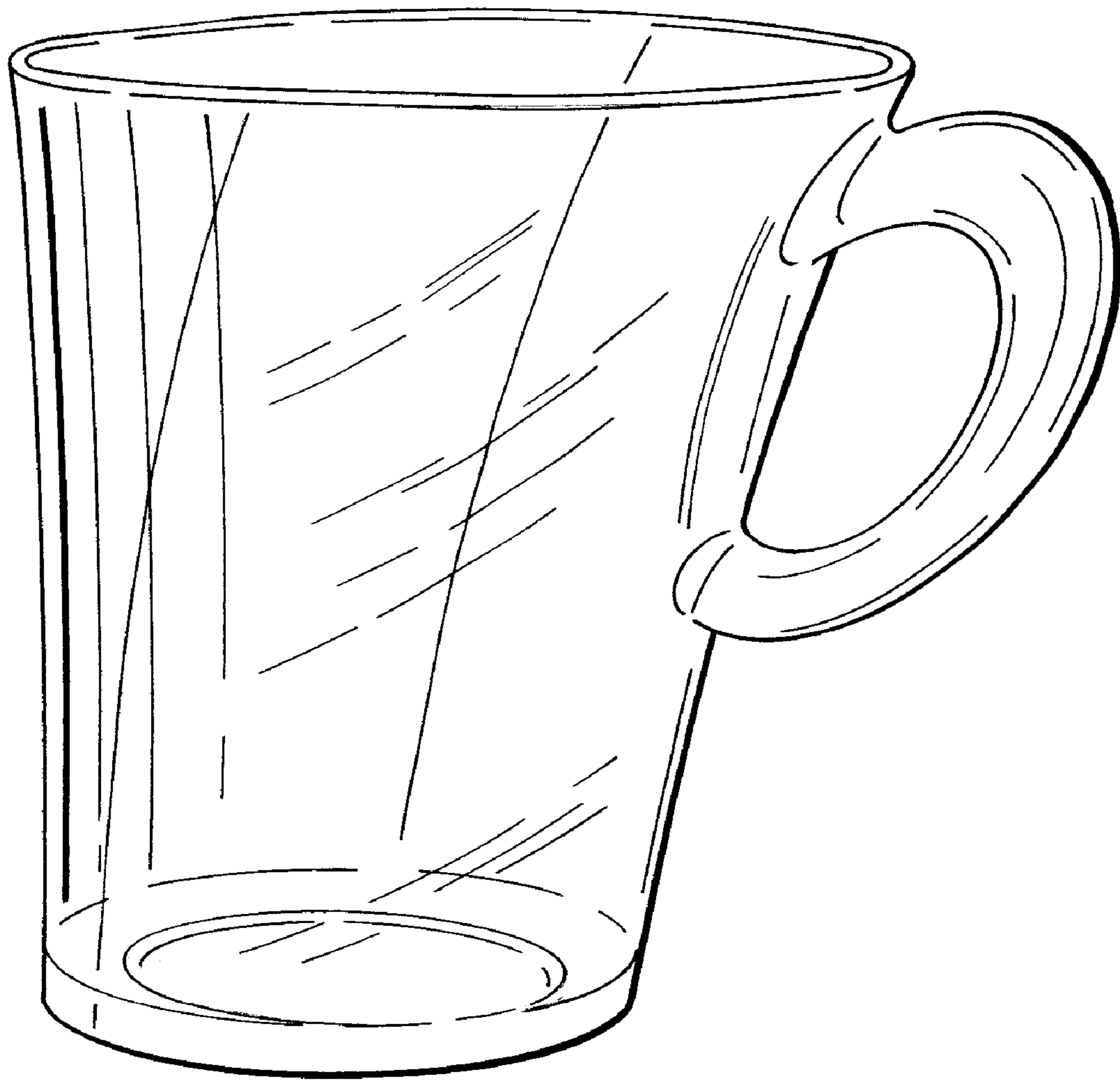


FIG. 8

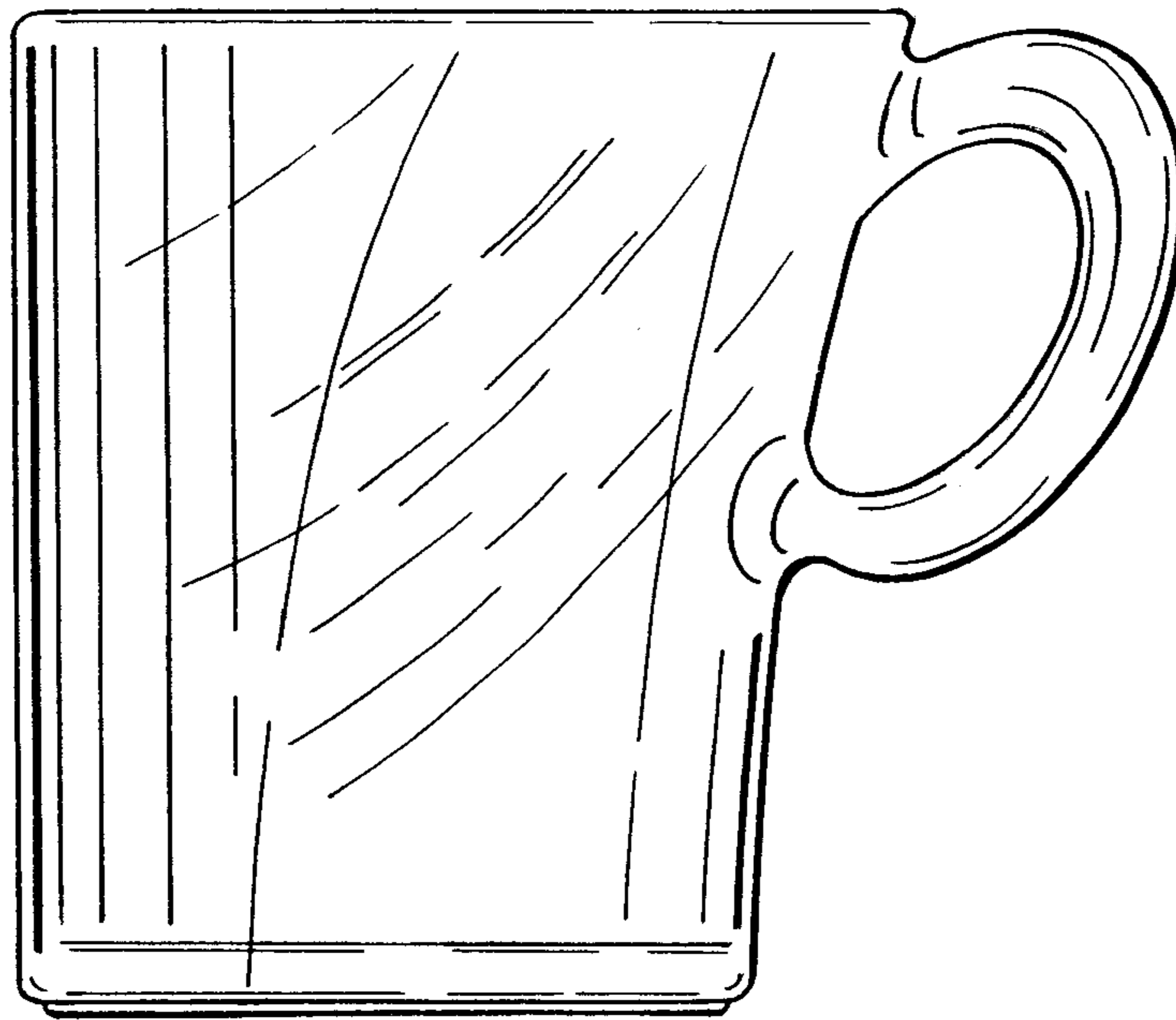


FIG. 9

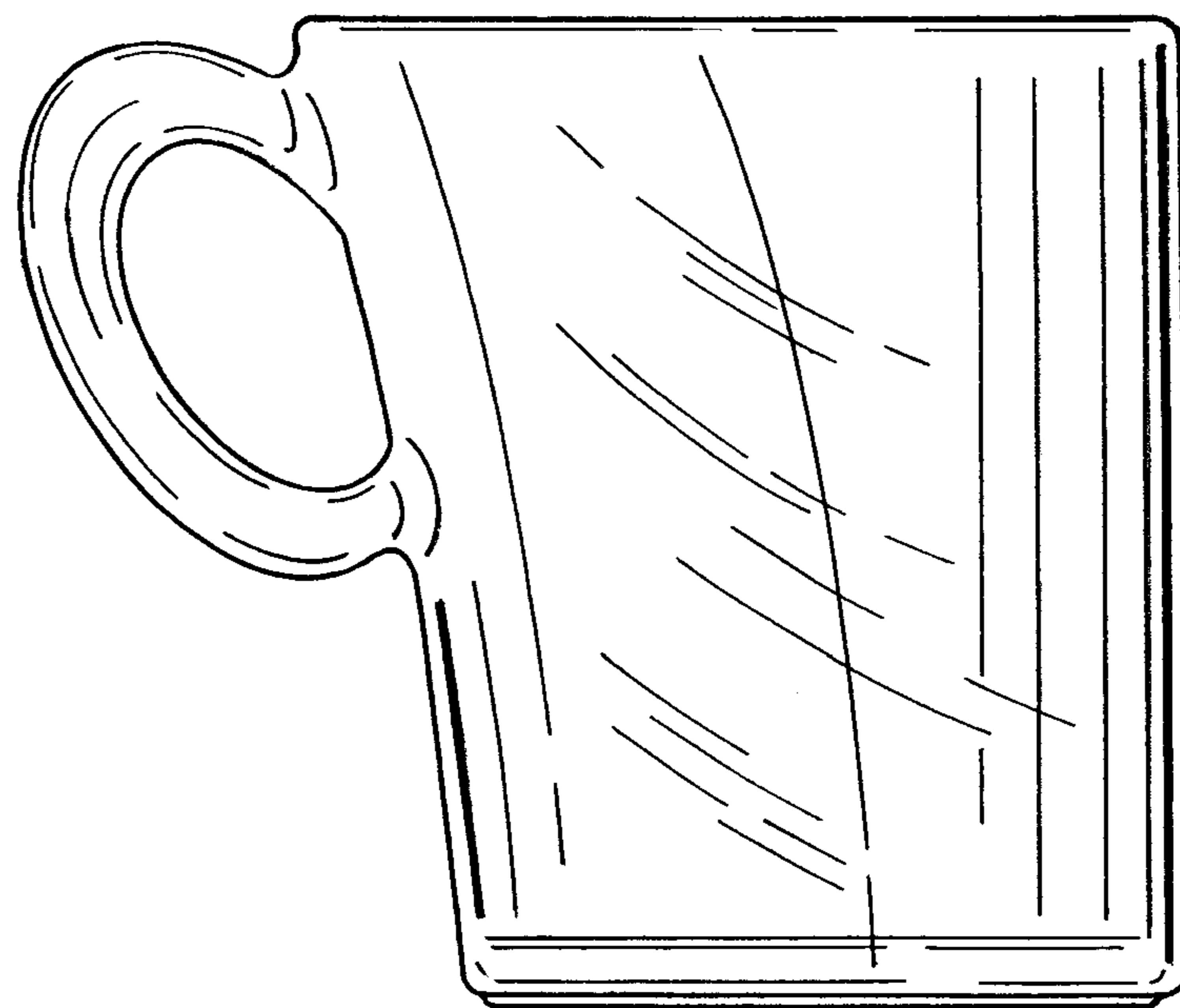


FIG. 10

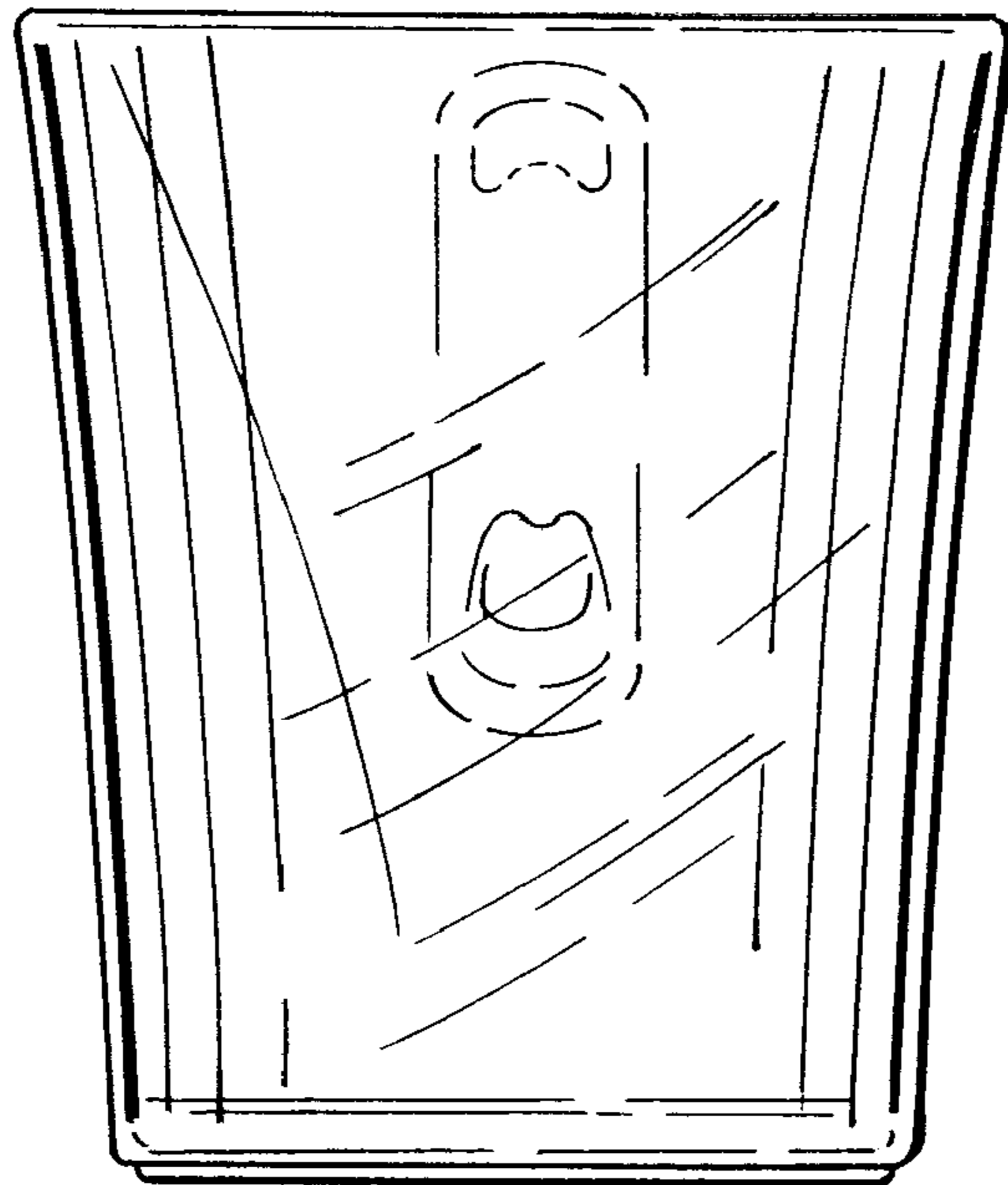


FIG. 11

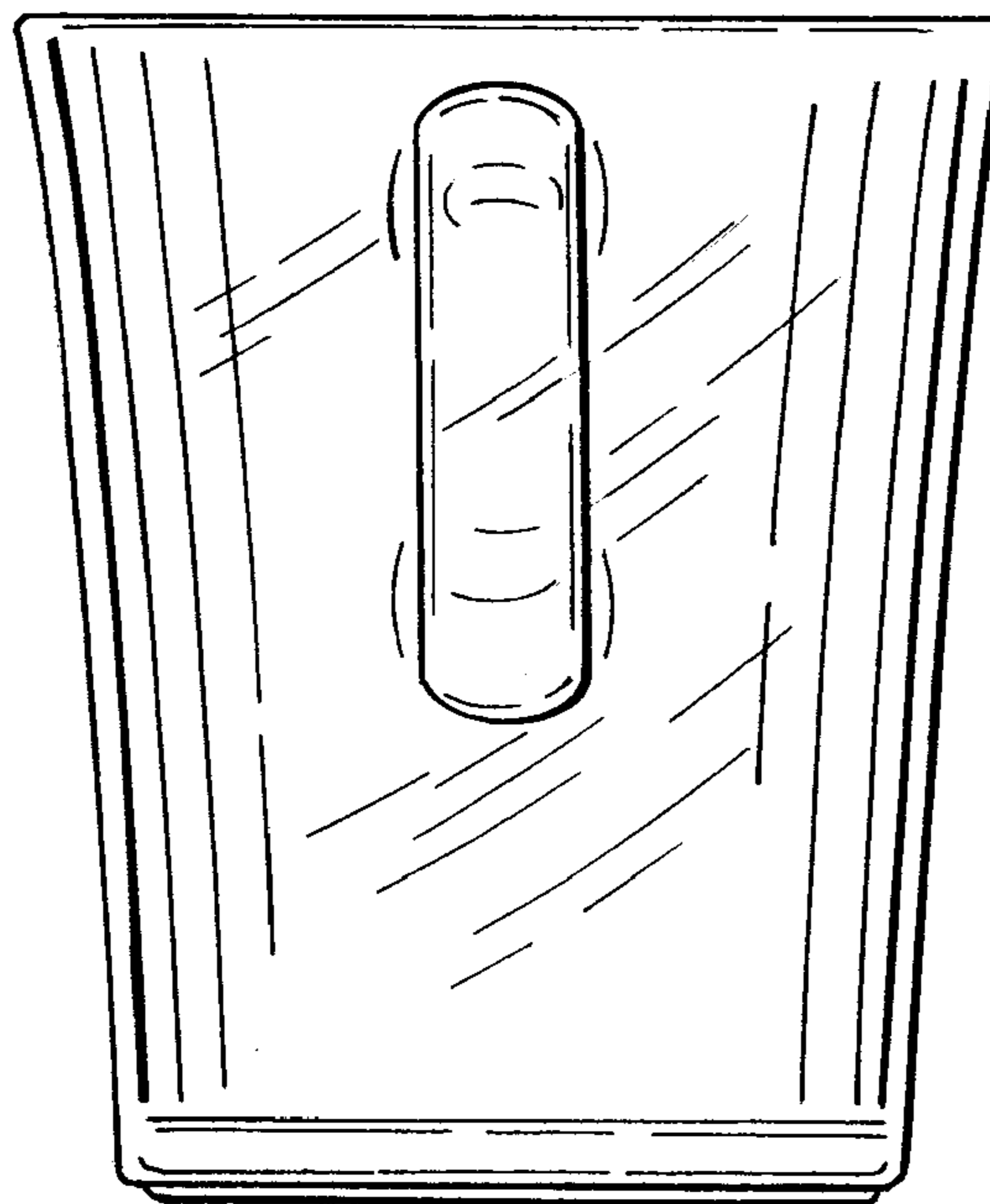


FIG. 12

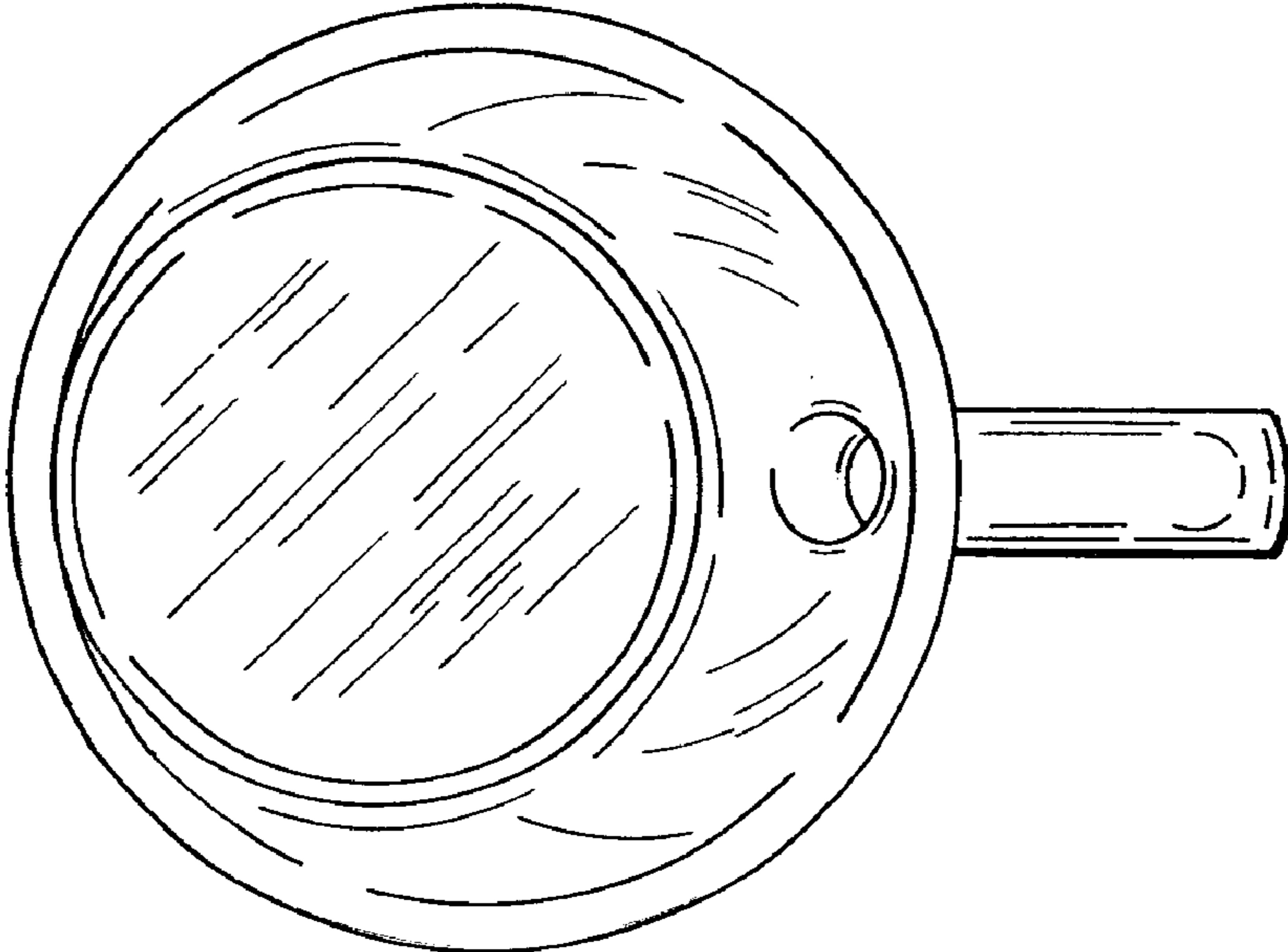


FIG. 13

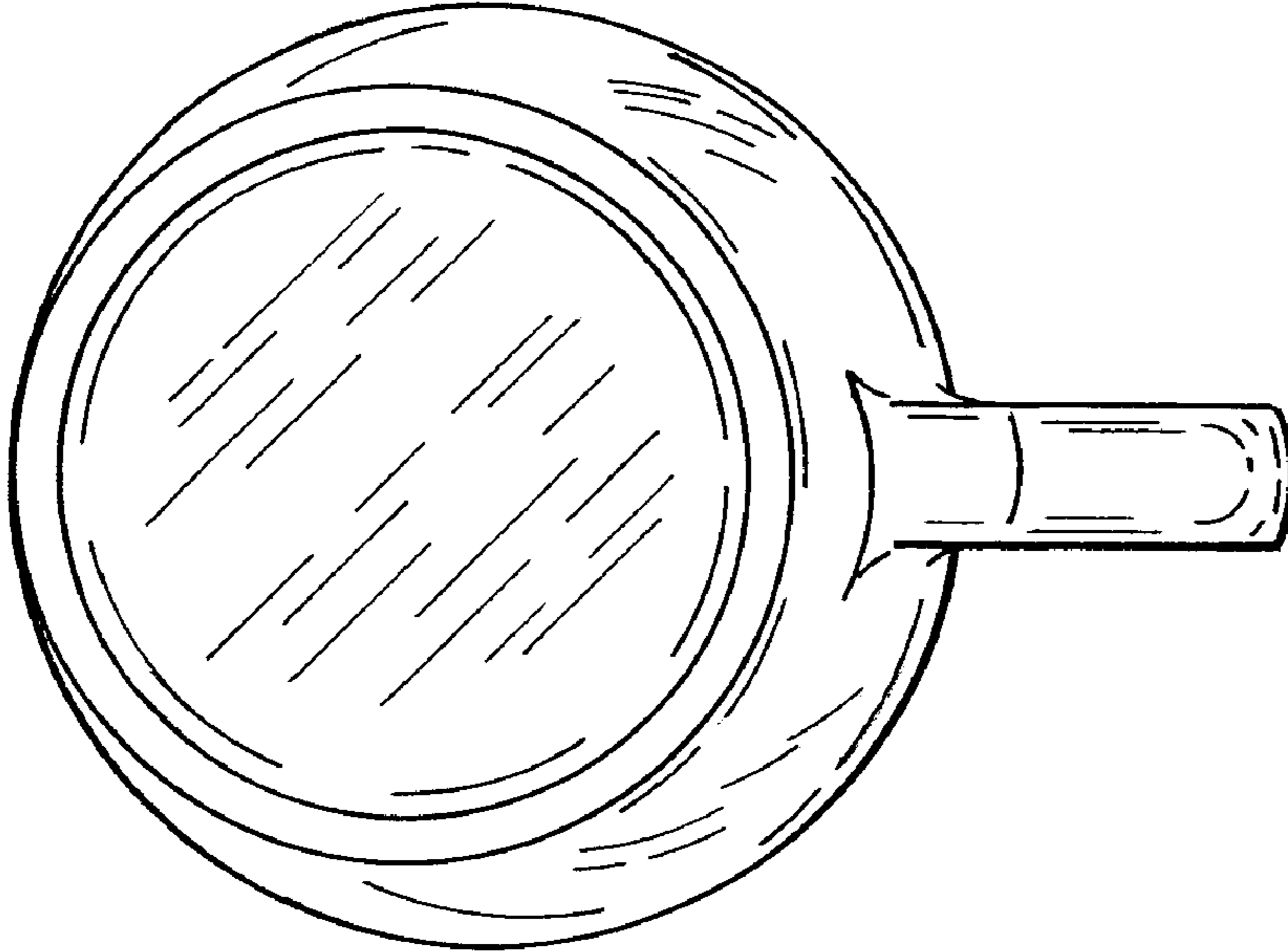


FIG. 14