



US00D516378S

(12) **United States Design Patent** (10) **Patent No.:** **US D516,378 S**
Smith et al. (45) **Date of Patent:** **** Mar. 7, 2006**

(54) **SHOULDER OF A DISPOSABLE CUP**

2,745,586 A 5/1956 Thoma
2,905,350 A 9/1959 Edwards
3,009,603 A 11/1961 Stockdale
3,085,730 A 4/1963 Fibish
3,091,360 A * 5/1963 Edwards 206/520

(75) Inventors: **Stephen Alan Smith**, Naperville, IL (US); **Kevin Ray Smith**, Round Lake Beach, IL (US); **Warren Giles Wiedmeyer**, Slinger, WI (US); **Kimberly Vaile Healy**, Chicago, IL (US); **Randy Golden**, Ada, OK (US); **Rudy DesChamps**, Mahomet, IL (US); **Irshad Khan**, Round Lake Beach, IL (US)

(Continued)

FOREIGN PATENT DOCUMENTS

(73) Assignee: **Solo Cup Company**, Highland Park, IL (US)

DE 1 175 564 8/1964
DE 1 216 139 5/1966
DE 44 19 161 A1 12/1995
DE 298 02 377 U1 6/1998
EP 0 371 918 6/1990
FR 2.207.836 6/1974
GB 1096451 12/1967
GB 1 251 595 10/1971
GB 1 461 394 1/1977
GB 395996 7/1993
GB 2 352 612 A 2/2001

(**) Term: **14 Years**

(21) Appl. No.: **29/223,780**

(22) Filed: **Feb. 18, 2005**

OTHER PUBLICATIONS

Related U.S. Application Data

Communication from the European Patent Office transmitting an International Search Report, mailed Nov. 19, 2004, for International Application No. PCT/US2004/009357.

(63) Continuation of application No. 29/194,893, filed on Dec. 3, 2003, which is a continuation-in-part of application No. 10/676,807, filed on Oct. 1, 2003.

Primary Examiner—M. N. Pandozzi

(51) **LOC (8) Cl.** **07-99**

(74) *Attorney, Agent, or Firm*—Wallenstein Wagner & Rockey, Ltd.

(52) **U.S. Cl.** **D7/396.2; D7/396.6**

(58) **Field of Classification Search** D7/532, D7/531, 523, 507, 509, 392.1, 396.6, 396.2, D7/429, 556, 428, 555; 222/129, 465.1; 426/394, 426/86; 428/36.4; 206/519, 520, 217; 366/341; 215/373, 384, 380, 382; 220/705, 676, 738, 220/669, 703, 592.16, 592.17, 516, 675, 220/484

(57) **CLAIM**

See application file for complete search history.

We claim the ornamental design for a shoulder of a disposable cup, as shown and described.

(56) **References Cited**

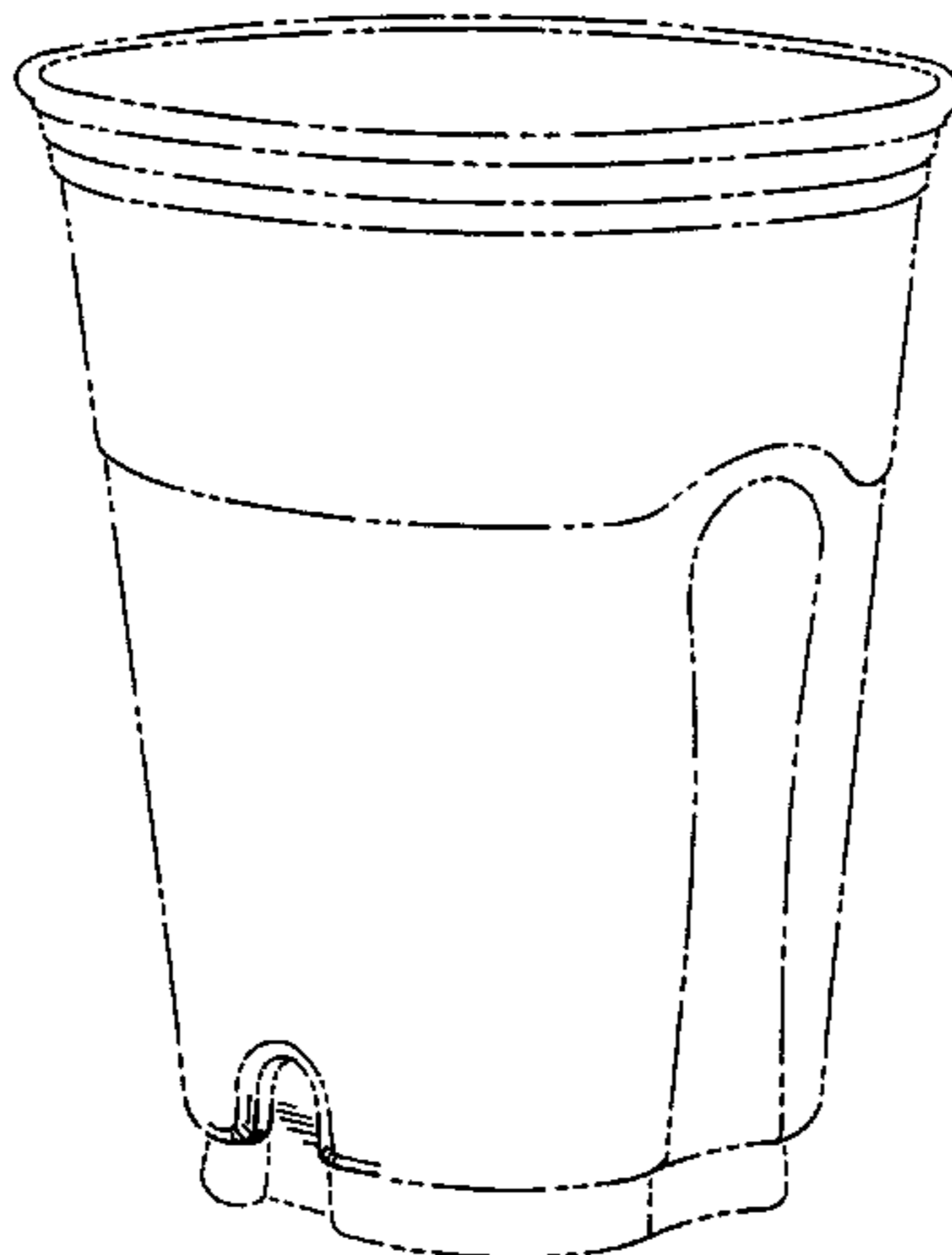
DESCRIPTION

U.S. PATENT DOCUMENTS

703,125 A 6/1902 Emrich
1,636,174 A 7/1927 Dolan et al.
2,013,243 A 9/1935 Landon
2,629,534 A 2/1953 Reynolds

FIG. 1 is a perspective view of a shoulder of a disposable cup showing our new design; FIG. 2 is a front elevation view of the cup of FIG. 1; FIG. 3 is a side elevation view of the cup of FIG. 1, with an opposite view being identical thereto; and, FIG. 4 is a bottom plan view of the cup of FIG. 1. The broken lines in FIGS. 1 through 4 are for illustrative purposes only and form no part of the claimed design.

1 Claim, 2 Drawing Sheets



US D516,378 S

Page 2

U.S. PATENT DOCUMENTS

3,094,240 A	*	6/1963	Wanderer	206/519	D272,794 S	2/1984	Dart	
D197,094 S	*	12/1963	Eicholz	D9/429	4,548,348 A	10/1985	Clements	
D197,313 S		1/1964	Wanderer			4,578,296 A	*	3/1986	Miyazaki et al. 428/36.4
3,126,139 A		3/1964	Schechter			D285,032 S		8/1986	Alonzo
D198,139 S		5/1964	Edwards			5,082,135 A		1/1992	DeCoster
3,131,845 A		5/1964	Sherlock et al.			D346,308 S		4/1994	Cautereels et al.
3,139,213 A		6/1964	Edwards			5,333,750 A	*	8/1994	McKinnon 220/484
D199,336 S		10/1964	Wanderer			5,415,339 A		5/1995	Howard
D199,579 S		11/1964	Davis			5,423,160 A		6/1995	Roséen
3,288,340 A		11/1966	Shapiro et al.			D368,234 S		3/1996	Dickinson et al.
3,342,370 A		9/1967	Johnson			5,634,569 A		6/1997	DeCoster
D208,872 S		10/1967	Davis			D382,014 S		8/1997	DeCoster et al.
D210,767 S		4/1968	Anglada			5,678,726 A		10/1997	Porteous
3,375,954 A	*	4/1968	Honkanen et al.	206/520	D387,619 S		12/1997	Gross et al.
D211,514 S		6/1968	Amberg			D399,099 S		10/1998	Cousins
3,393,826 A	*	7/1968	Brown	206/520	D410,174 S		5/1999	Sheu
3,397,867 A		8/1968	van't Hoff			D413,067 S		8/1999	Haley
D212,279 S	*	9/1968	Bennett	D7/532	D416,757 S		11/1999	Ginuntoli
D213,094 S	*	1/1969	Davis	D7/531	6,109,518 A		8/2000	Mueller et al.
D213,173 S		1/1969	Lockhart et al.			D436,295 S		1/2001	Furman et al.
D213,174 S	*	1/1969	Davis	D7/531	D441,252 S		5/2001	Gitschlag
3,437,253 A	*	4/1969	Davis	229/400	D443,475 S		6/2001	Miura
D220,031 S		3/1971	Donovan			D444,672 S		7/2001	Miura
D223,999 S		6/1972	Klose			6,264,068 B1		7/2001	Ours et al.
D228,125 S	*	8/1973	Weiss	D9/429	D446,684 S		8/2001	Price
3,951,266 A		4/1976	Brewer			D446,687 S		8/2001	Furman et al.
4,049,187 A		9/1977	Florian			D448,976 S		10/2001	McDonough et al.
4,052,037 A		10/1977	Mair et al.			6,554,154 B1		4/2003	Chauhan et al.
4,061,782 A		12/1977	Baxter			D499,934 S	*	12/2004	Smith et al. D7/396.2
4,102,454 A		7/1978	Karevaara			D499,935 S	*	12/2004	Smith et al. D7/396.2
4,134,492 A		1/1979	Lucas			2003/0157224 A1		8/2003	Westerhof et al.
4,245,685 A		1/1981	Nemitz et al.			2004/0045974 A1	*	3/2004	Gtruber et al. 220/669
4,420,081 A		12/1983	Dart						

* cited by examiner

FIG. 1

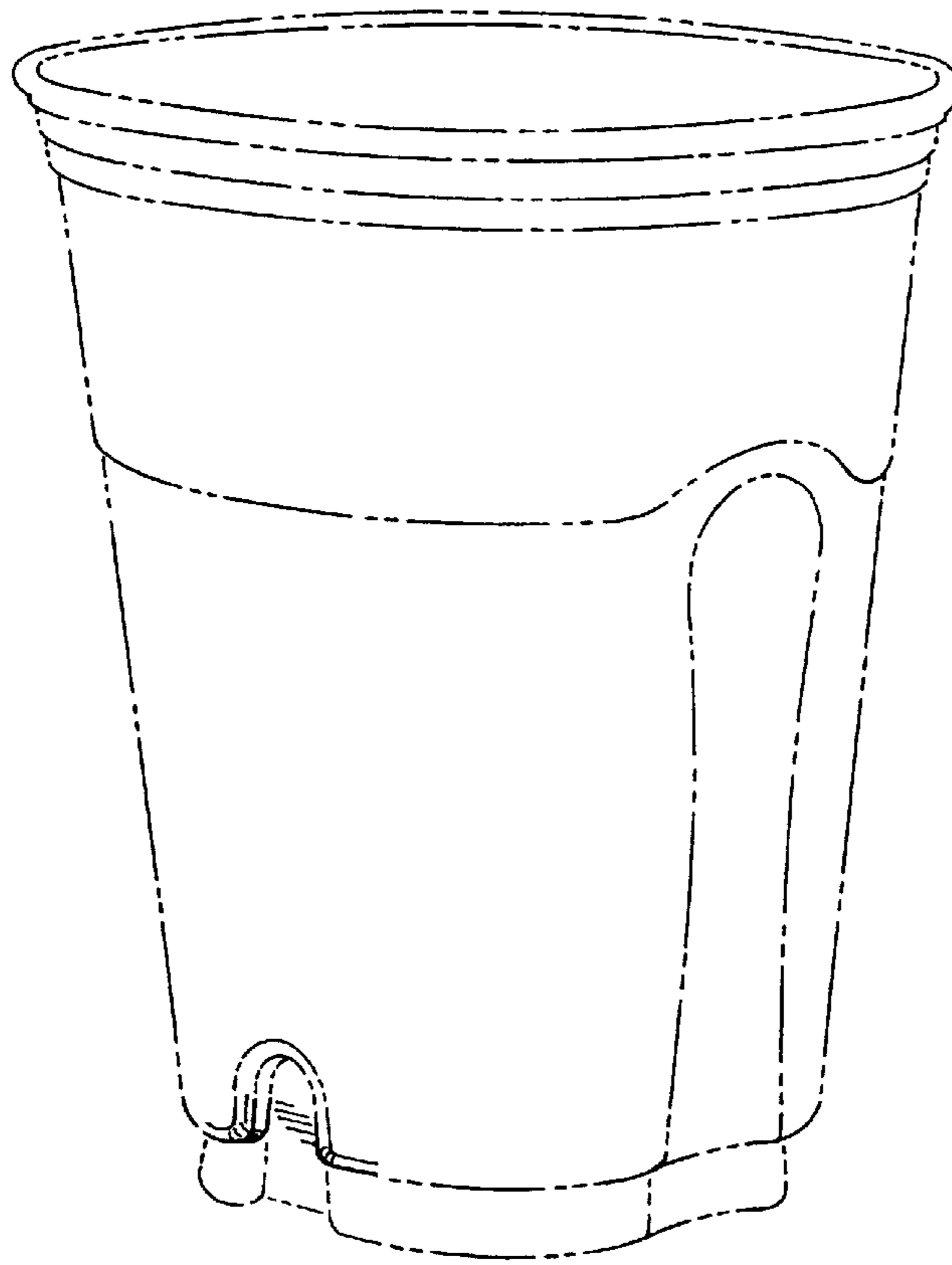


FIG. 2

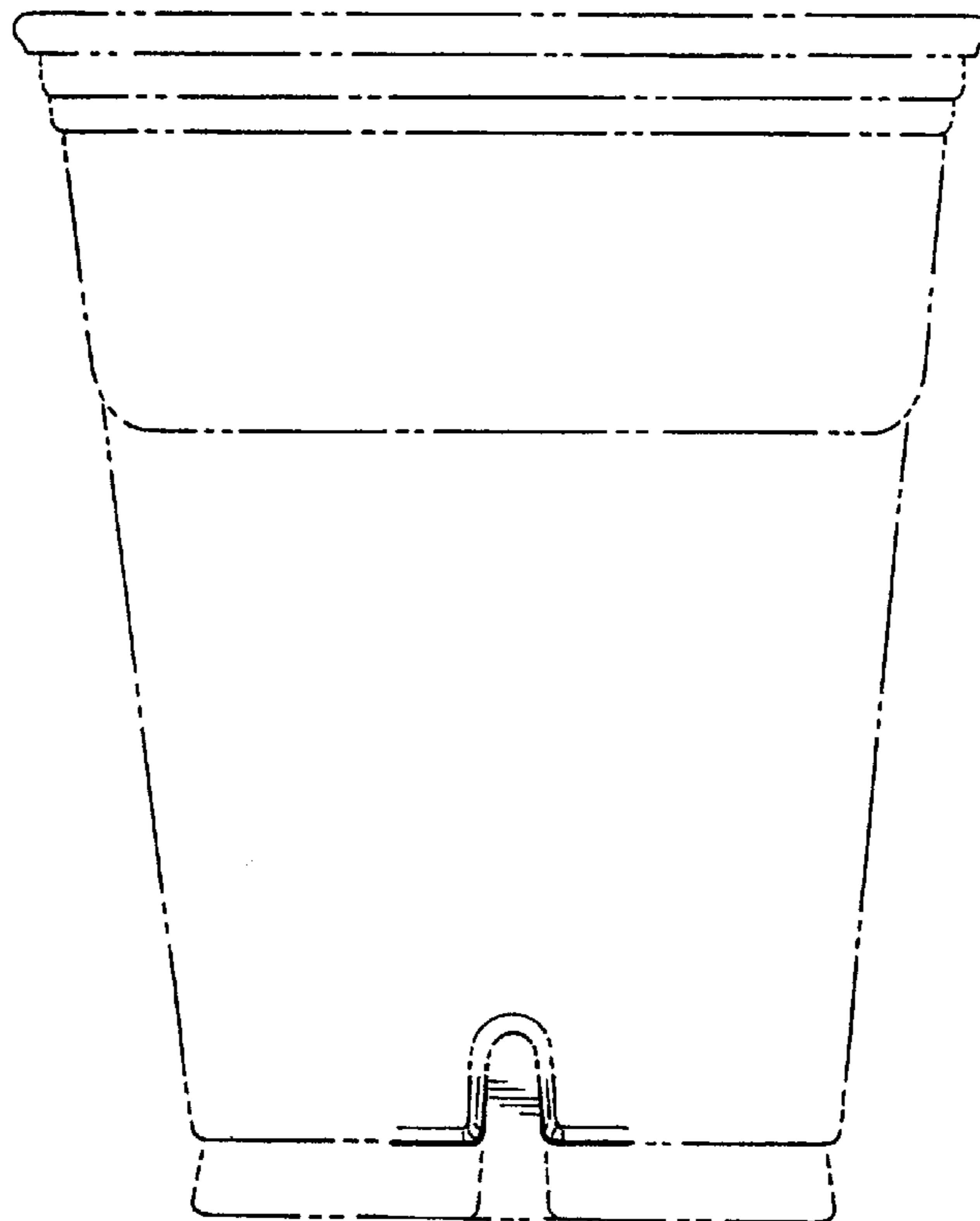


FIG. 3

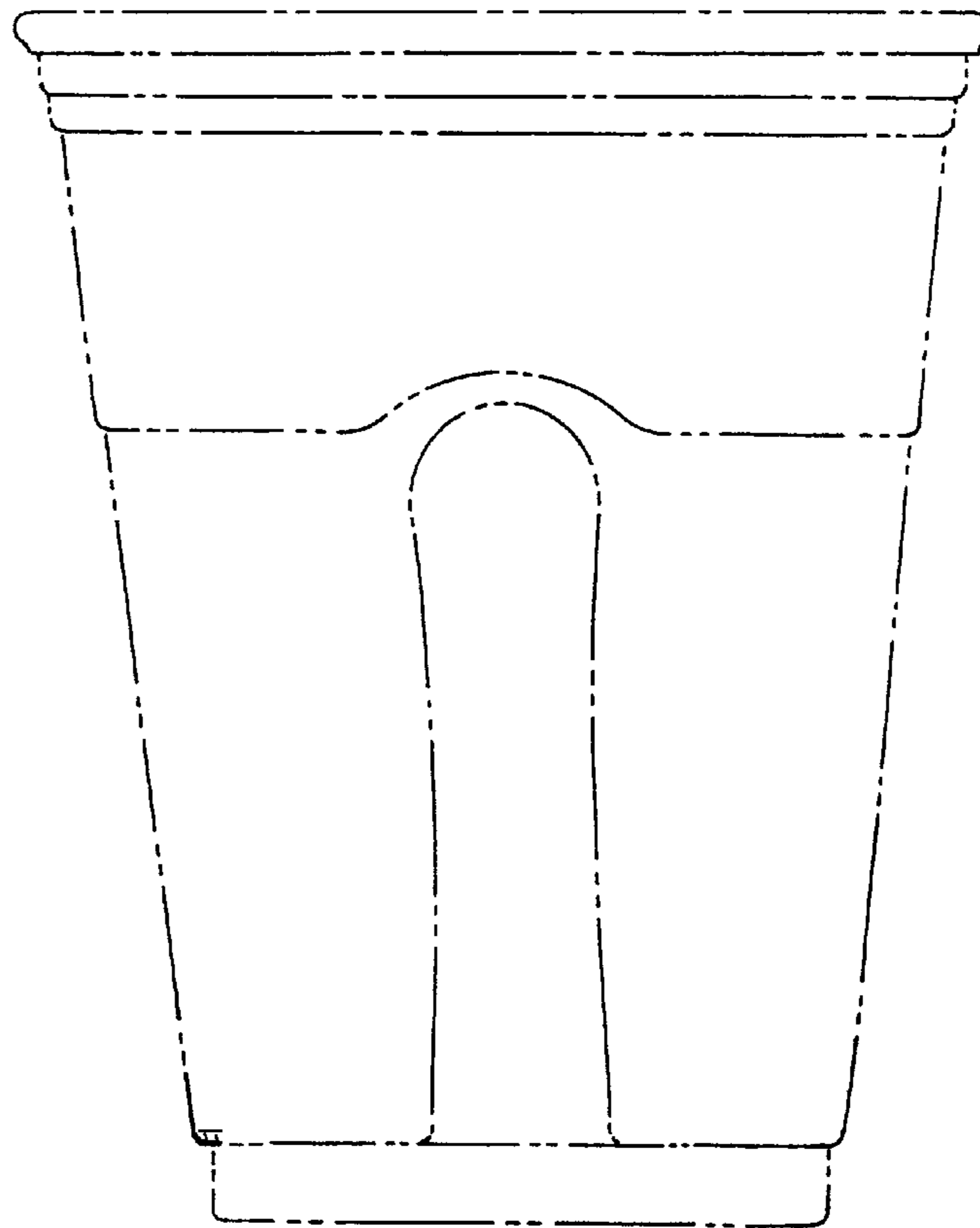


FIG. 4

