



US00D516375S

(12) **United States Design Patent** (10) **Patent No.:** **US D516,375 S**
Cioeta et al. (45) **Date of Patent:** **** Mar. 7, 2006**

(54) **LID FOR KITCHEN UTENSILS**
(75) Inventors: **Daniela Cioeta**, Cori (IT); **Lorena Vecchini**, Latina (IT)
(73) Assignee: **Opinion Leaders S.r.L.**, Latina (IT)
(**) Term: **14 Years**

D311,849 S * 11/1990 Strand D7/354
D312,023 S * 11/1990 Strand D7/354
D381,268 S * 7/1997 Rush et al. D9/452
D395,195 S * 6/1998 Heiberg et al. D7/391
5,931,329 A * 8/1999 Wu D7/399
D436,866 S * 1/2001 Freeman D9/452
D482,232 S * 11/2003 Zettle et al. D7/392.1
D489,972 S * 5/2004 Lin D9/428

* cited by examiner

(21) Appl. No.: **29/222,461**

(22) Filed: **Jan. 31, 2005**

(30) **Foreign Application Priority Data**

Aug. 13, 2004 (EM) 000216064

(51) **LOC (8) Cl.** **07-02**

(52) **U.S. Cl.** **D7/391**

(58) **Field of Classification Search** D7/354-361,
D7/391, 392, 392.1, 601, 602, 538-542, 612-615,
D7/629; D9/414, 424-429, 434, 435, 452;
220/4.21, 574, 780-799, 805

See application file for complete search history.

(56) **References Cited**

U.S. PATENT DOCUMENTS

D309,397 S * 7/1990 Strand D7/354
D309,692 S * 8/1990 Strand D7/354

Primary Examiner—Caron D. Veynar

Assistant Examiner—Vy Nguyen

(74) *Attorney, Agent, or Firm*—David Loewenstein

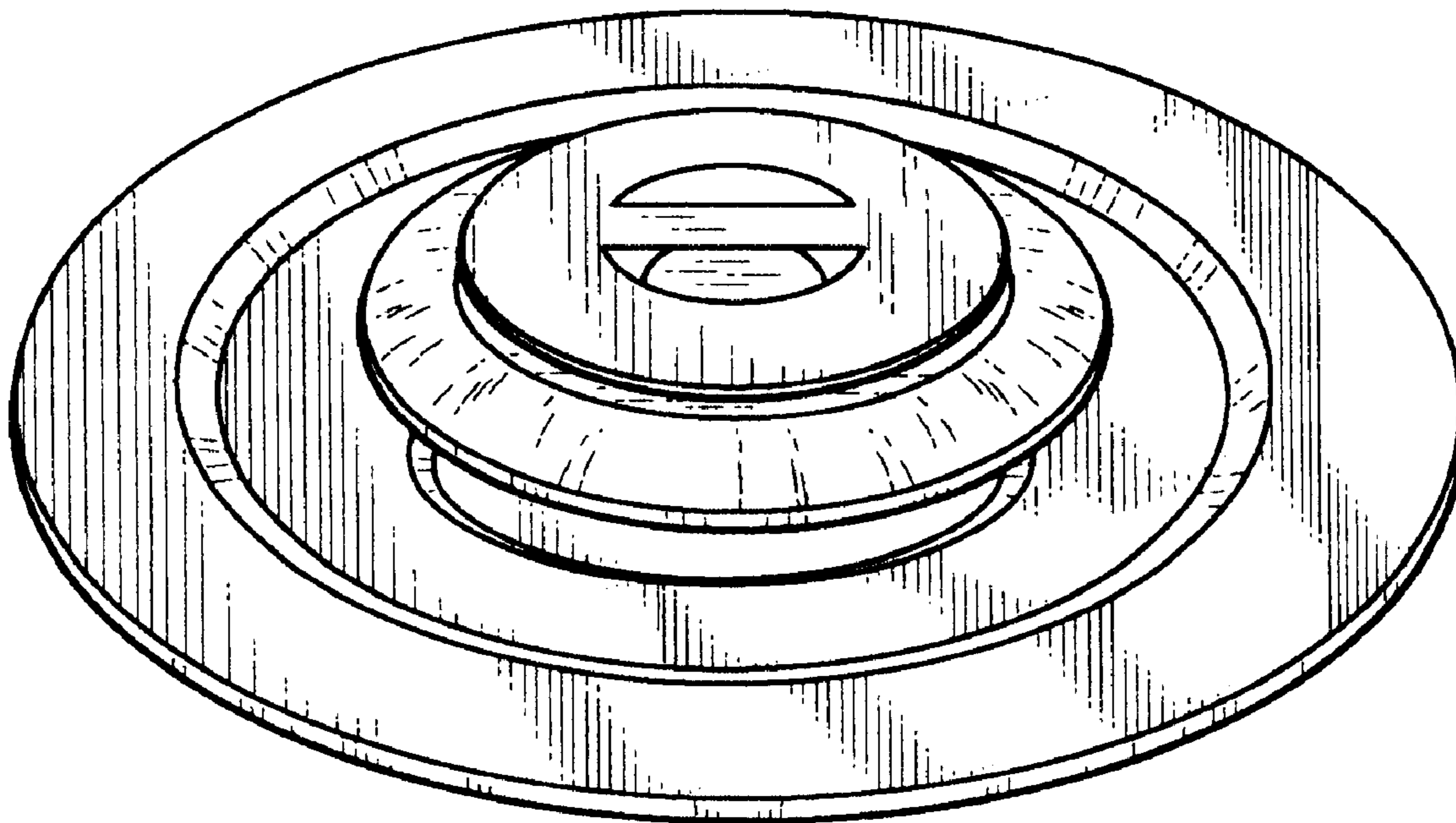
(57) **CLAIM**

The ornamental design for a lid for kitchen utensils, as shown and described.

DESCRIPTION

FIG. 1 is a top plan view of the lid incorporating the design; FIG. 2 is a bottom plan view of the lid of FIG. 1; FIG. 3 is a front view of the lid of FIG. 1; FIG. 4 is a rear view of the lid of FIG. 1; FIG. 5 is a right side view of the lid of FIG. 1; FIG. 6 is a left side view of the lid if FIG. 1; and, FIG. 7 is a perspective view of the lid of FIG. 1.

1 Claim, 2 Drawing Sheets



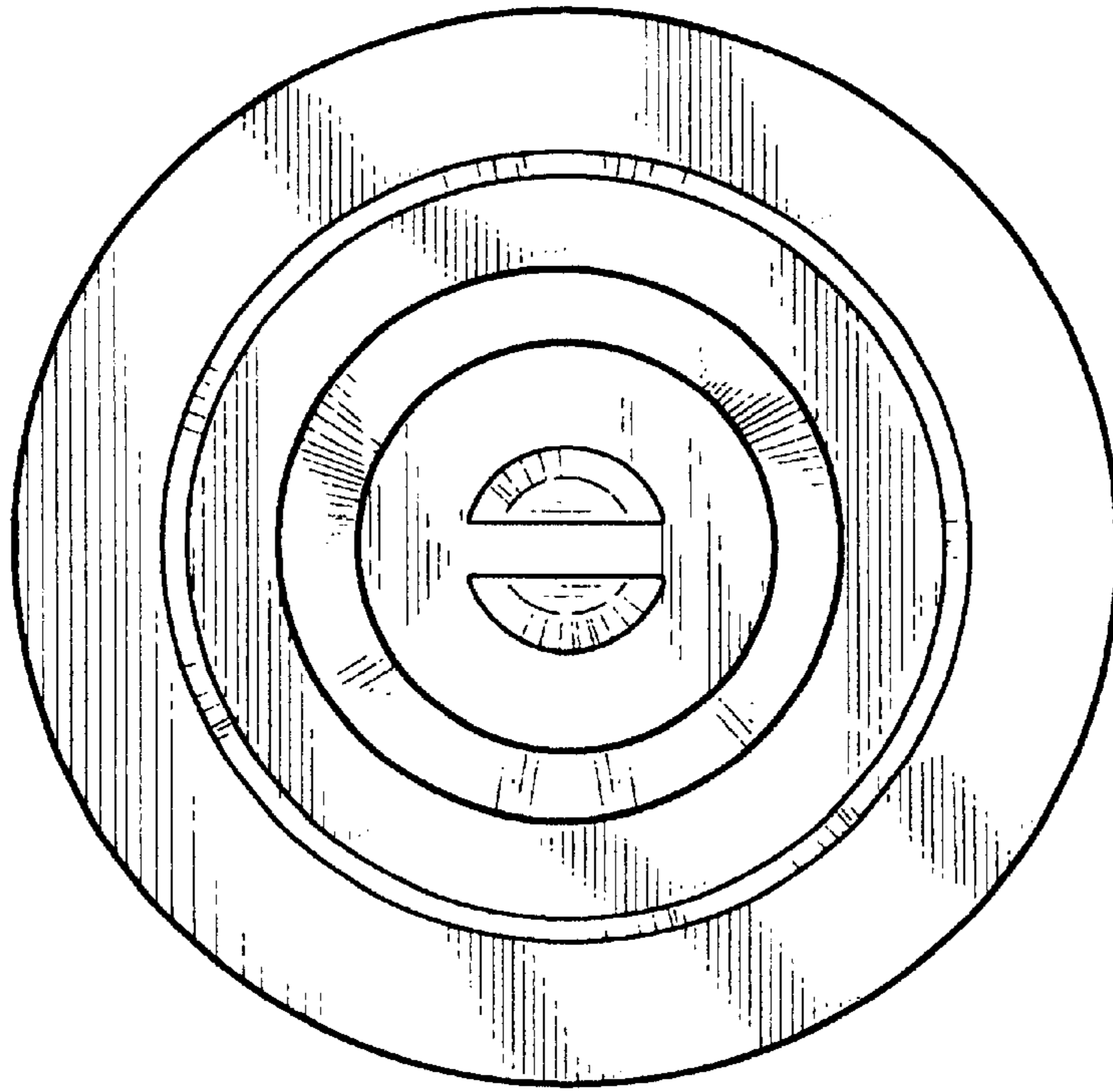


Fig. 1

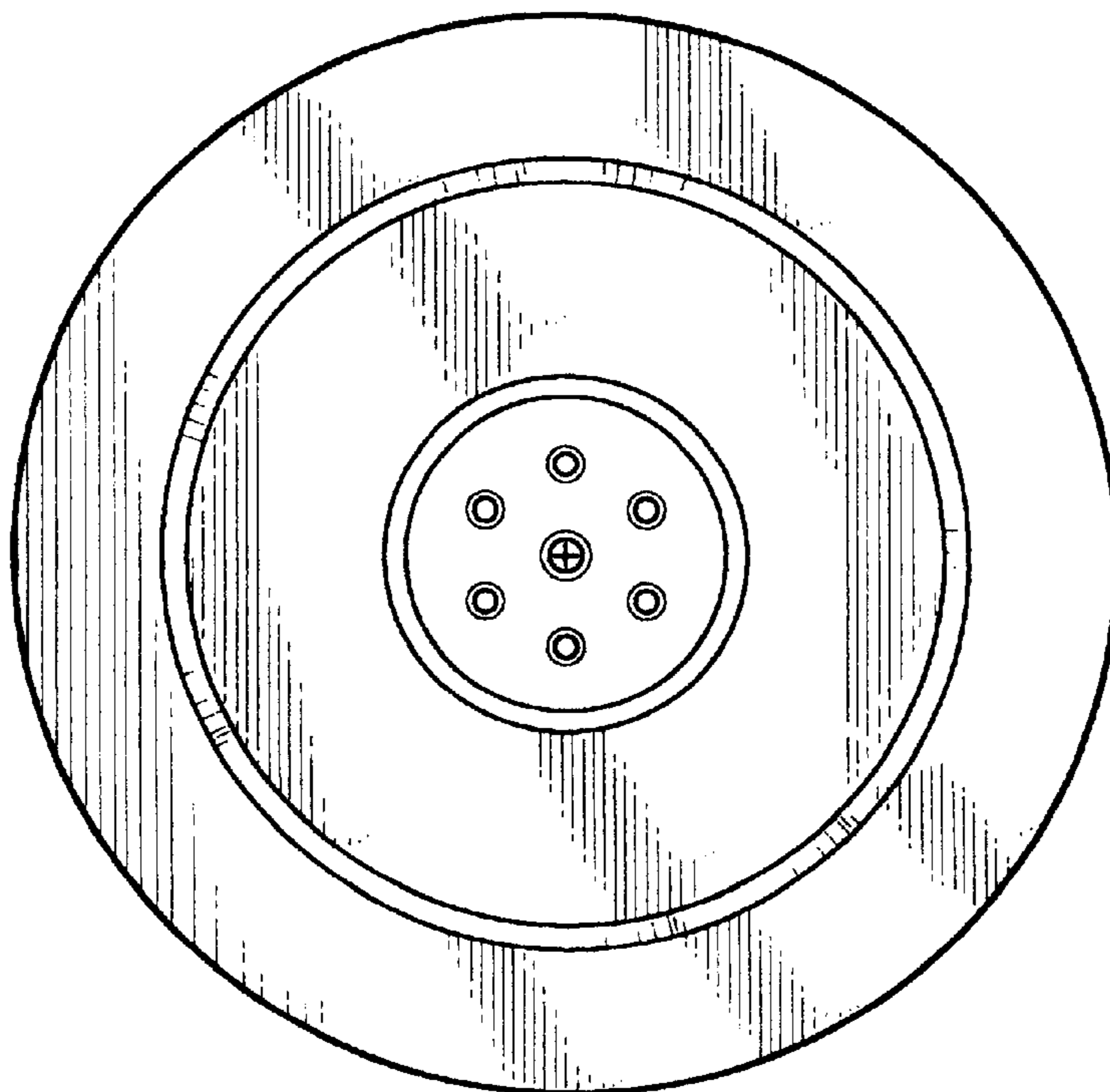


Fig. 2



Fig.3

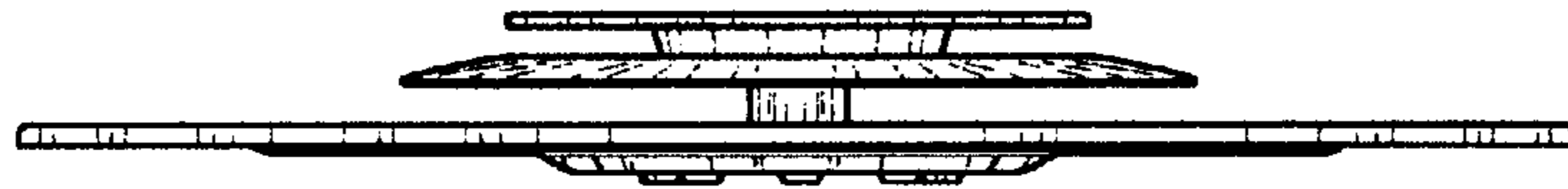


Fig.4

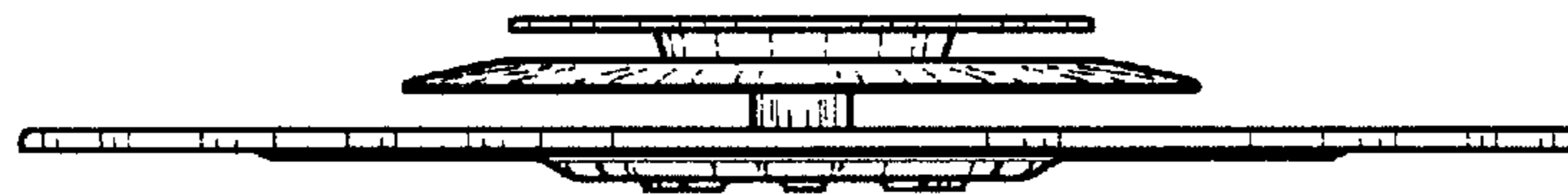


Fig.5

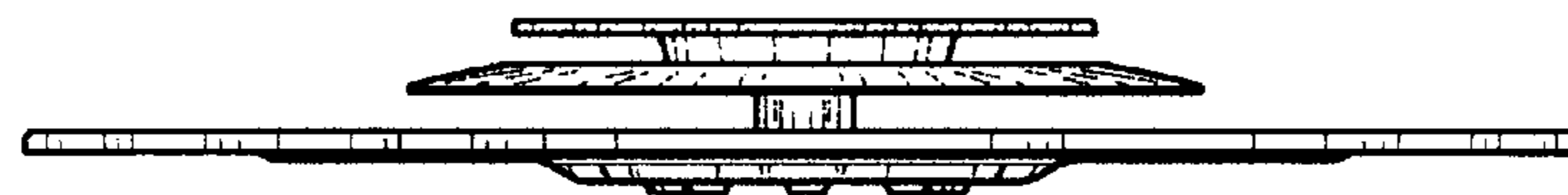


Fig.6

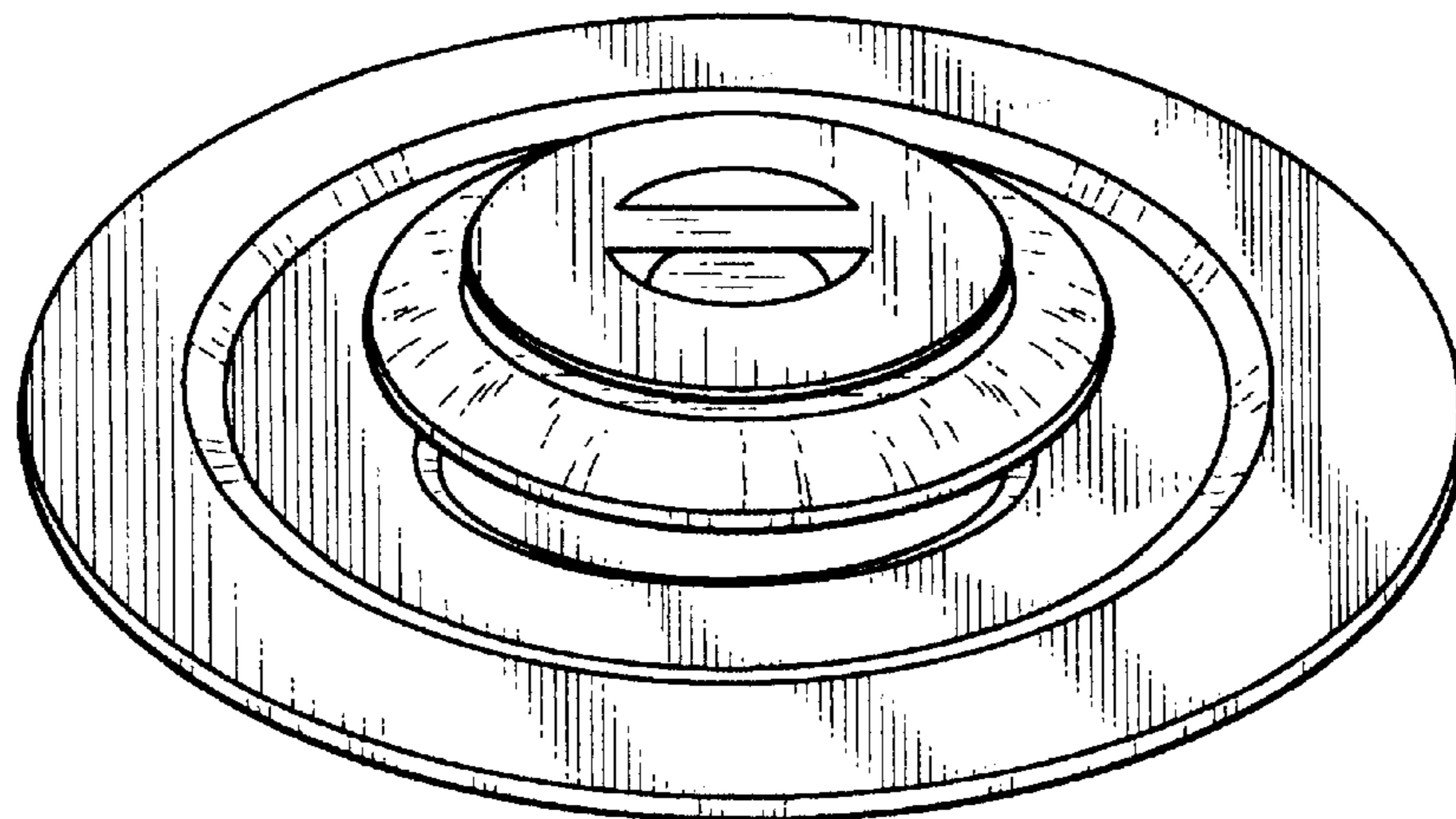


Fig. 7