



US00D516372S

(12) **United States Design Patent**  
**Morgan**

(10) **Patent No.:** **US D516,372 S**  
(45) **Date of Patent:** **\*\* Mar. 7, 2006**

(54) **CAKE PAN WITH DOME SHAPED CAVITY**

D487,667 S \* 3/2004 Morgan ..... D7/356  
D490,269 S \* 5/2004 Morgan ..... D7/356

(76) Inventor: **Fletcher Morgan**, 4990 Coquina Key  
Dr., SE., St. Petersburg, FL (US) 33705

\* cited by examiner

(\*\*) Term: **14 Years**

*Primary Examiner*—Lisa Lichtenstein  
(74) *Attorney, Agent, or Firm*—John S. Hale; Gipple &  
Hale

(21) Appl. No.: **29/195,320**

(22) Filed: **Dec. 10, 2003**

(57) **CLAIM**

**Related U.S. Application Data**

The ornamental design for a cake pan with dome shaped  
cavity, as shown and described.

(63) Continuation-in-part of application No. 29/178,855, filed on  
Apr. 2, 2003, now Pat. No. Des. 487,667.

**DESCRIPTION**

(51) **LOC (8) Cl.** ..... **07-02**

FIG. 1 is a perspective view of the cake pan with dome  
shaped cavity showing my new design;

(52) **U.S. Cl.** ..... **D7/356**

FIG. 2 is a reduced side elevational view thereof, the other  
side view being identical;

(58) **Field of Classification Search** ..... D7/354–360,  
D7/554.4, 554.2, 545; 220/573.1–573.4,  
220/500; D16/12

FIG. 3 is a front reduced elevational view thereof, the rear  
view being identical;

See application file for complete search history.

FIG. 4 is a greatly reduced top plan view thereof; and,

FIG. 5 is a greatly reduced bottom plan view thereof.

(56) **References Cited**

**U.S. PATENT DOCUMENTS**

D477,970 S \* 8/2003 Thonis ..... D7/542

**1 Claim, 3 Drawing Sheets**

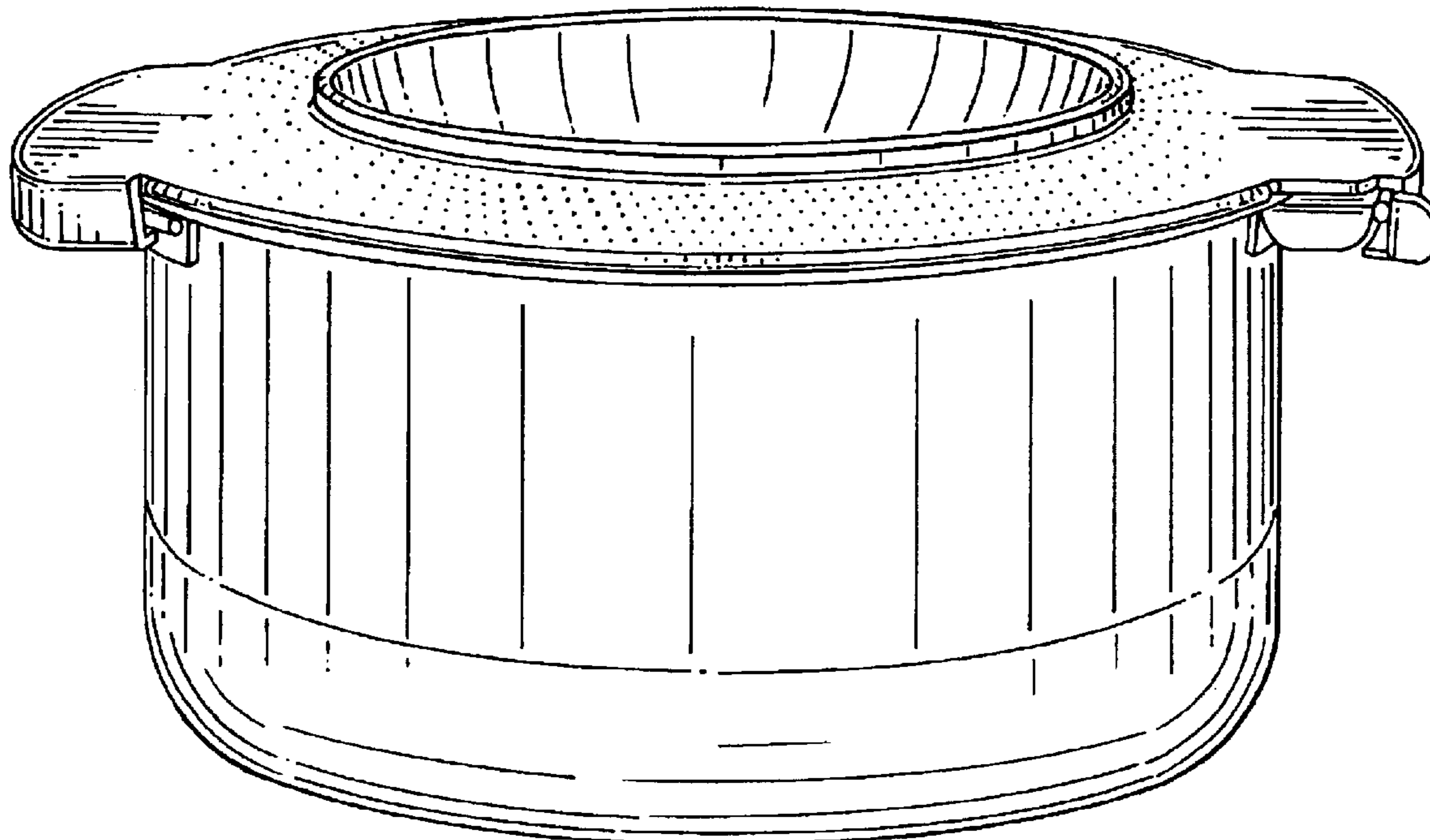
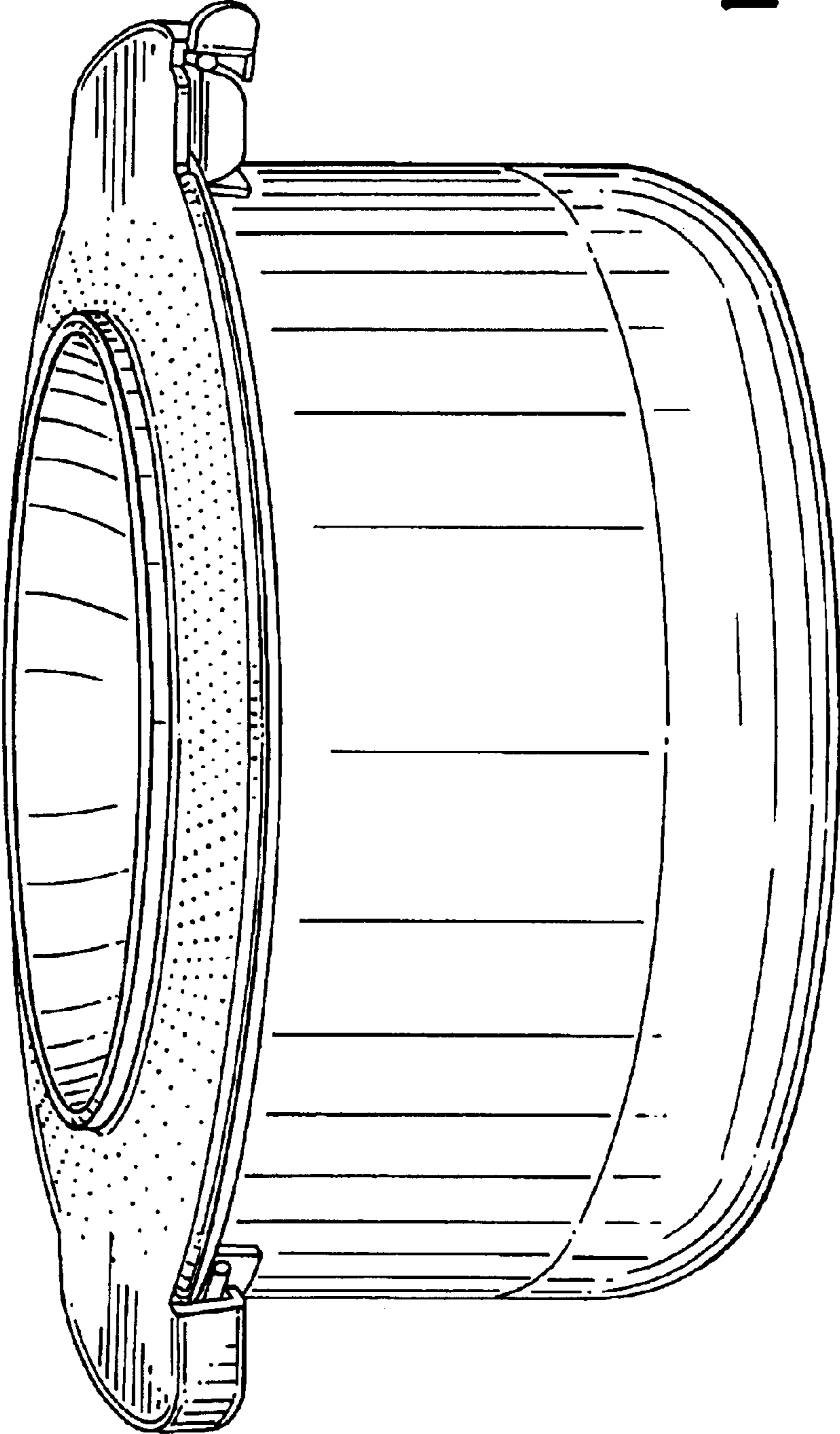
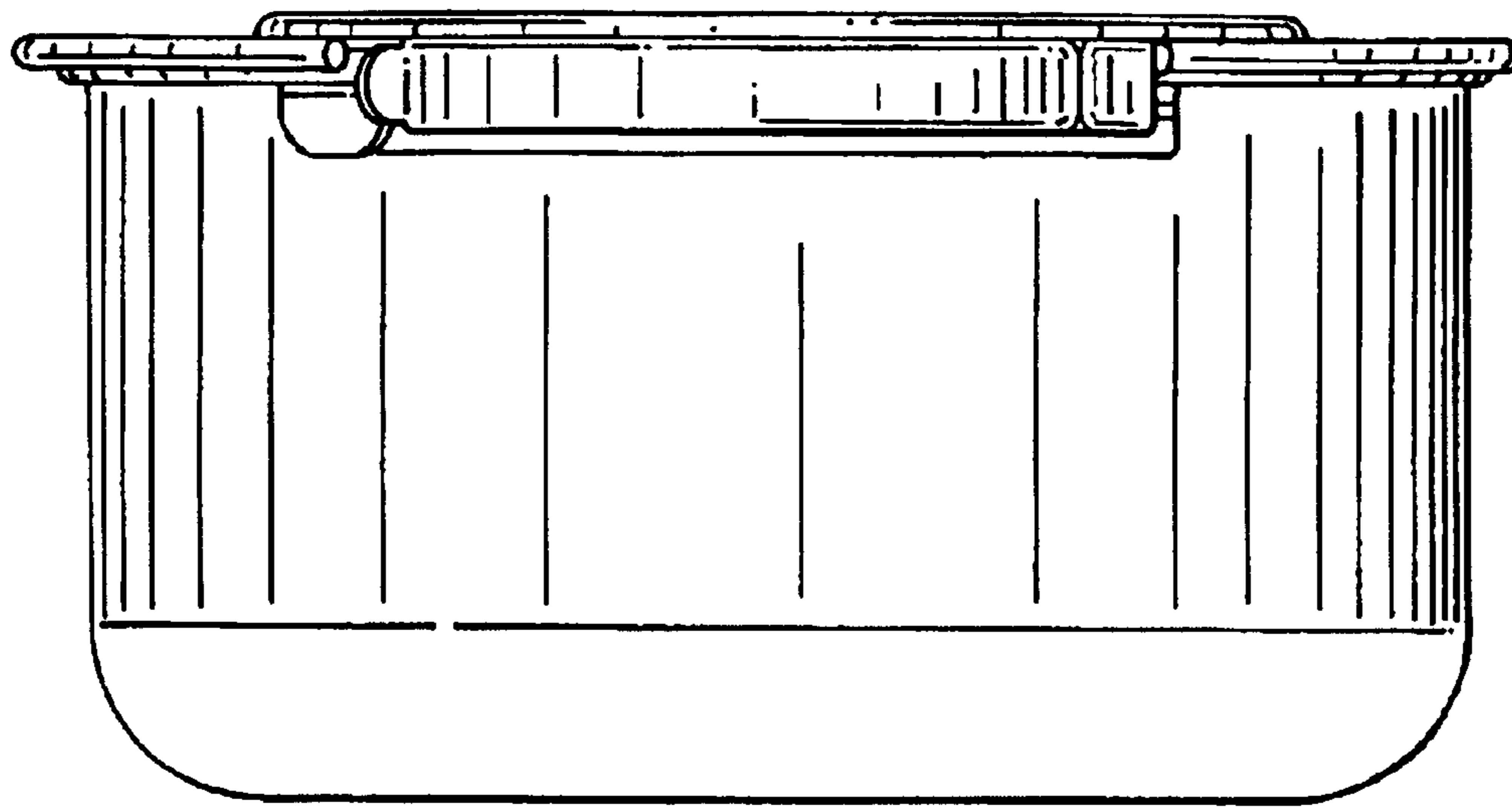
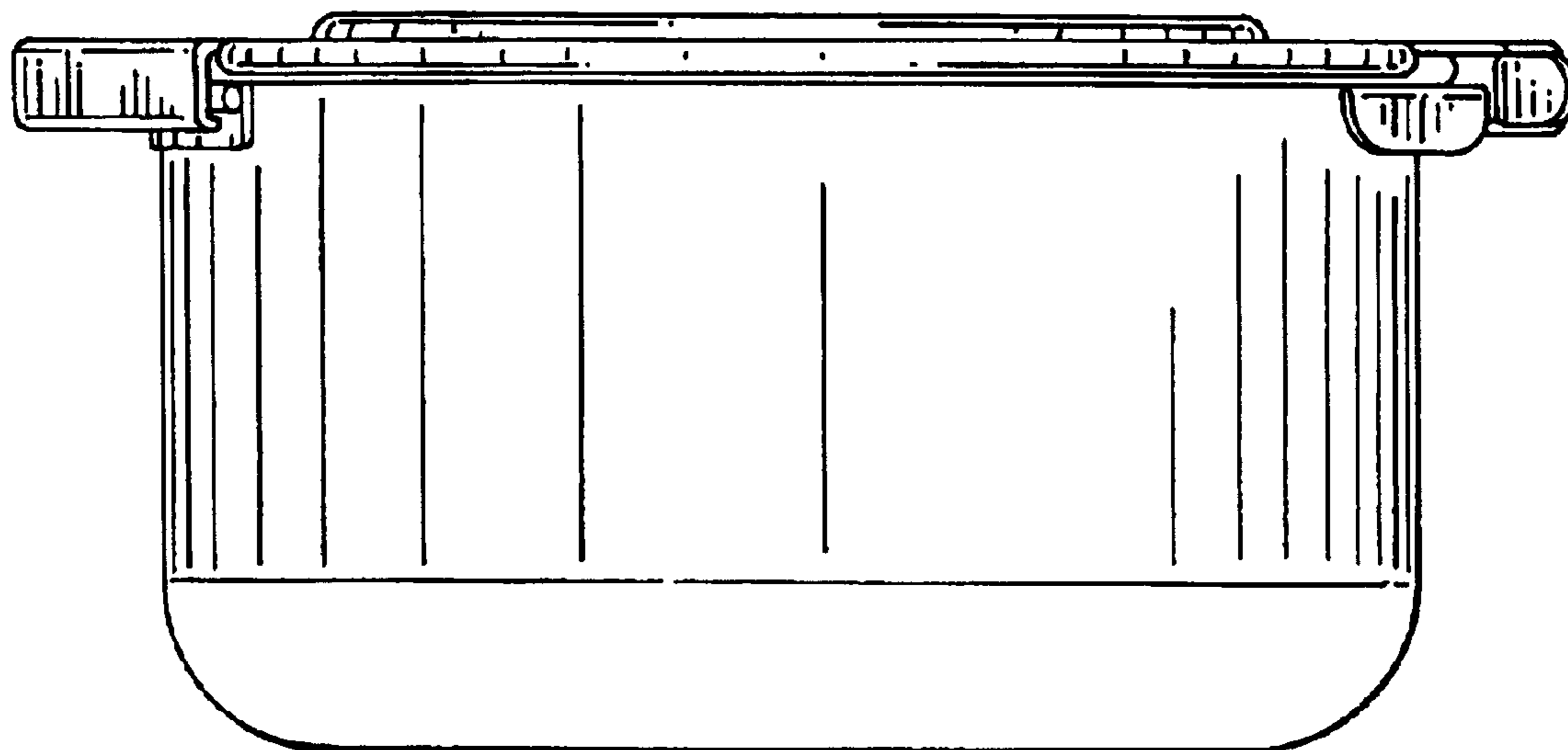


Fig. 1





**Fig. 2**



**Fig. 3**

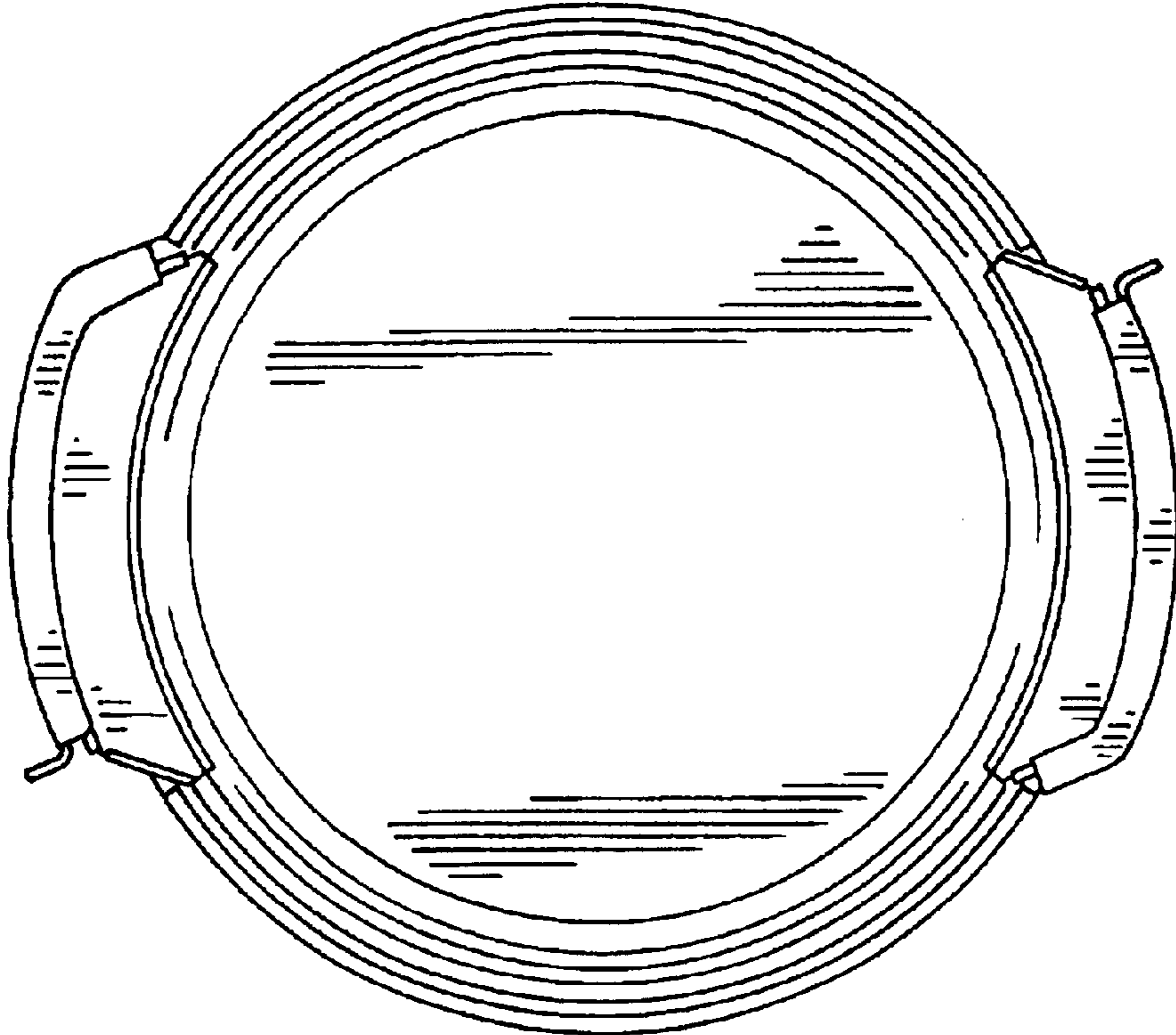


Fig. 5

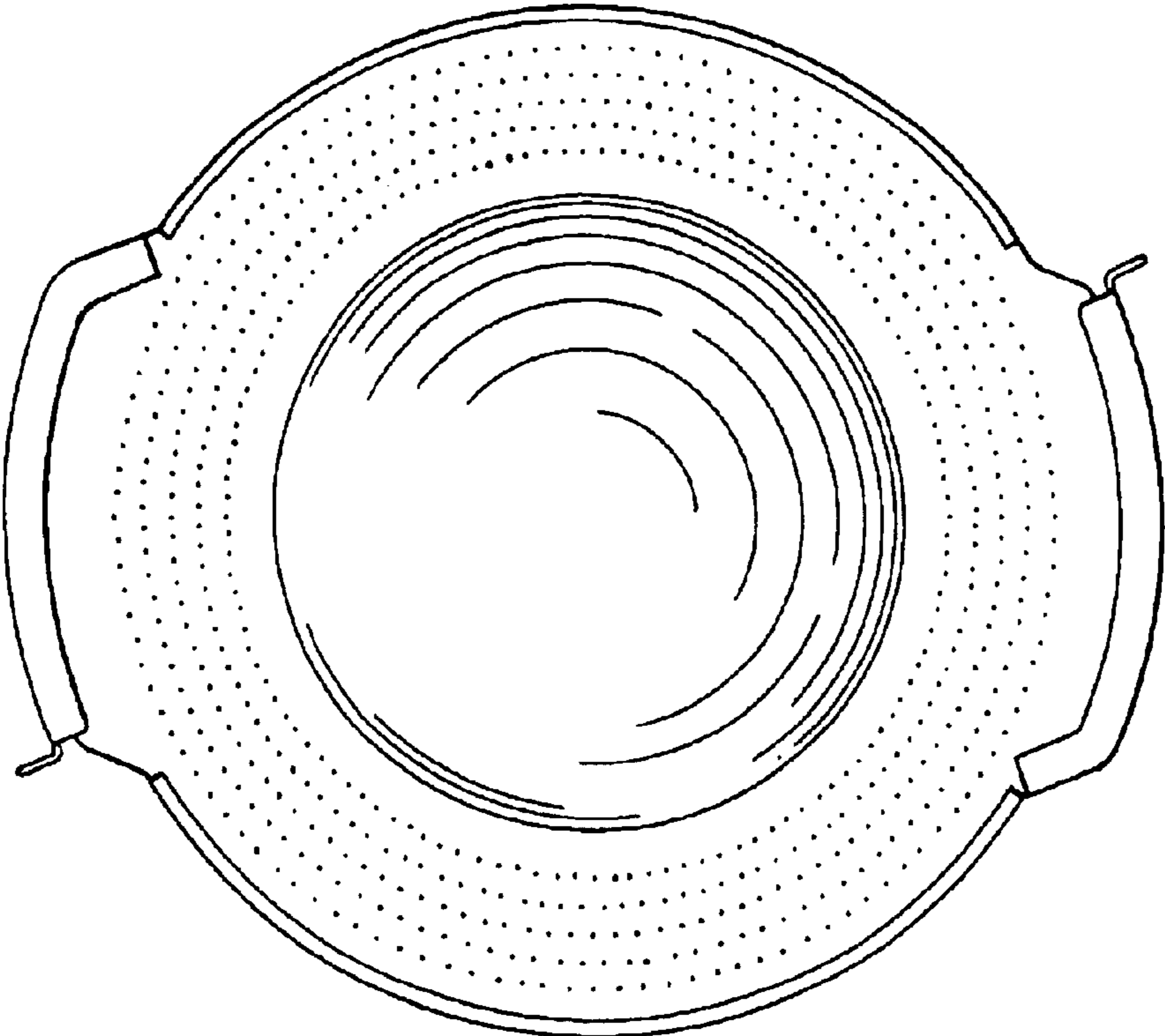


Fig. 4