



US00D516367S

(12) **United States Design Patent**
Lutz et al.

(10) **Patent No.:** **US D516,367 S**
(45) **Date of Patent:** **** Mar. 7, 2006**

(54) **BARBEQUE GRILL**
(75) Inventors: **William R. Lutz**, Cumming, GA (US);
Stephen L. Travis, Bentonville, AR (US)

D483,983 S 12/2003 Harrod et al. D7/334
D485,467 S 1/2004 Pai D7/334
D497,280 S * 10/2004 Pai D7/334
D499,928 S * 12/2004 Zhang D7/334
D501,116 S * 1/2005 Zhang D7/334

(73) Assignee: **North American Outdoors, Inc.**,
Ontario, CA (US)

* cited by examiner

(**) Term: **14 Years**

Primary Examiner—Ruth McInroy
(74) *Attorney, Agent, or Firm*—Sheppard, Mullin, Richter
& Hampton LLP

(21) Appl. No.: **29/204,493**

(57) **CLAIM**

(22) Filed: **Apr. 29, 2004**

We claim the ornamental design for a barbeque grill, as shown and described.

(51) **LOC (8) Cl.** **07-02**

(52) **U.S. Cl.** **D7/335**

(58) **Field of Classification Search** D32/17–18,
D32/21–22, 25, 30–34; 15/320–321, 323,
15/327.1, 335, 347, 350–353, 361, 329, 410,
15/412; 55/459.1–459.2, 449, DIG. 3, 426,
55/337, 345, 429, 467, 472; 95/271; 210/787,
210/806, 512.1, 512.2

DESCRIPTION

See application file for complete search history.

FIG. 1 is a front perspective view of a barbeque grill showing our new design;
FIG. 2 is a front elevational view of FIG. 1;
FIG. 3 is a rear elevational view of FIG. 1;
FIG. 4 is a right side elevational view of FIG. 1, the left side being a mirror image;
FIG. 5 is a top plan view of FIG. 1;
FIG. 6 is a bottom plan view of FIG. 1;
FIG. 7 is a front perspective view of a second embodiment thereof;
FIG. 8 is a front elevational view of FIG. 7;
FIG. 9 is a rear elevational view of FIG. 7;
FIG. 10 is a right side elevational view of FIG. 7, the left side being a mirror image;
FIG. 11 is a top plan view of FIG. 7; and,
FIG. 12 is a bottom plan view of FIG. 7.
The dotted lines are for illustrative purposes only and form no part of the claimed design.

(56) **References Cited**

U.S. PATENT DOCUMENTS

5,163,358 A	11/1992	Hanagan et al.	99/339
D406,489 S	3/1999	Williams et al.	D7/334
D416,164 S	11/1999	Wagner et al.	D7/334
D450,215 S	11/2001	Wood et al.	D7/334
D450,216 S	11/2001	Wood et al.	D7/334
D461,359 S	8/2002	Coleman et al.	D7/334
D466,756 S	12/2002	Bossler et al.	D7/334
D471,057 S	3/2003	Chung	D7/334
D472,756 S	4/2003	Pai	D7/334
D475,235 S	6/2003	Home	D7/334
D476,188 S	6/2003	Wood	D7/334

1 Claim, 12 Drawing Sheets

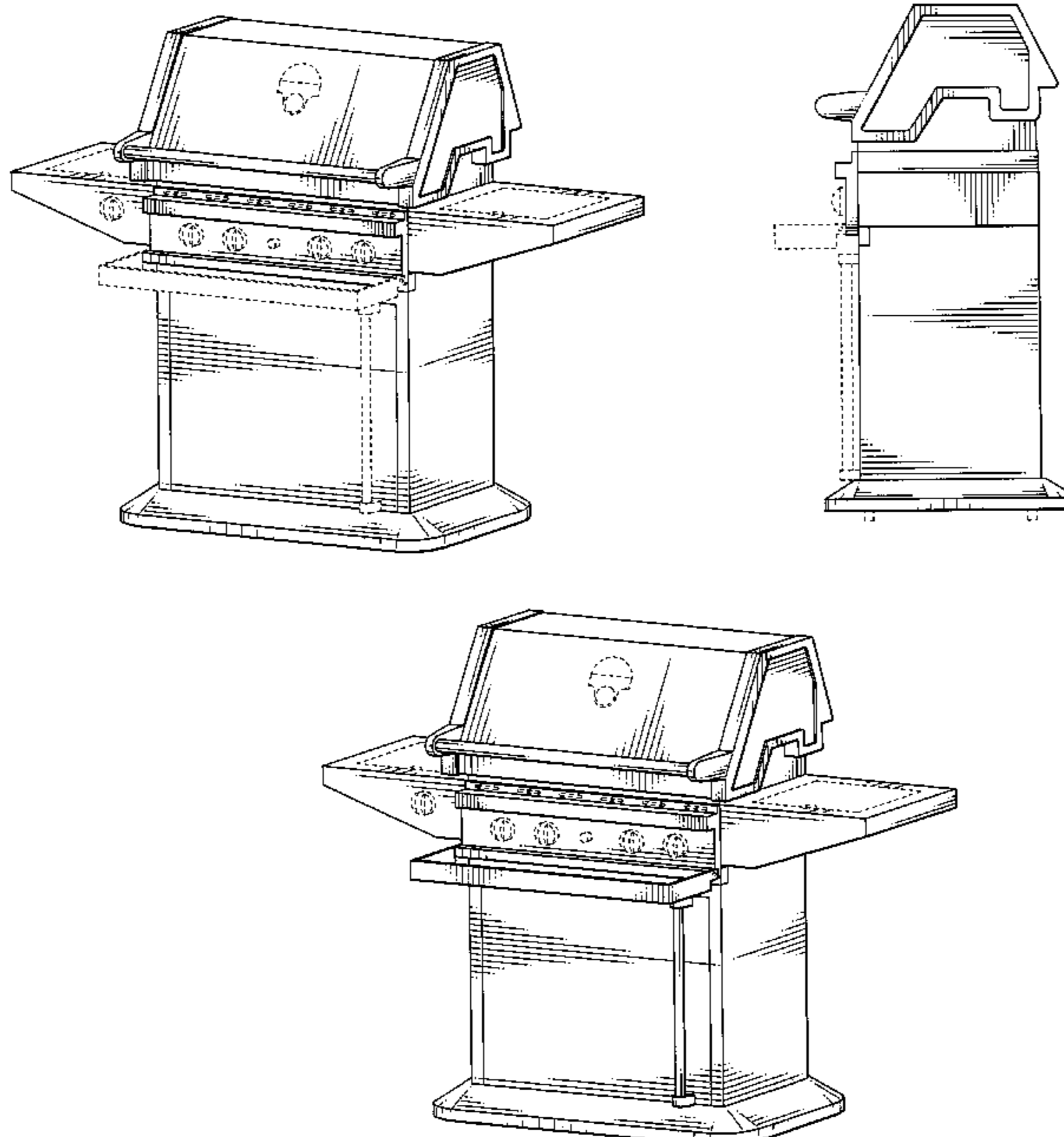
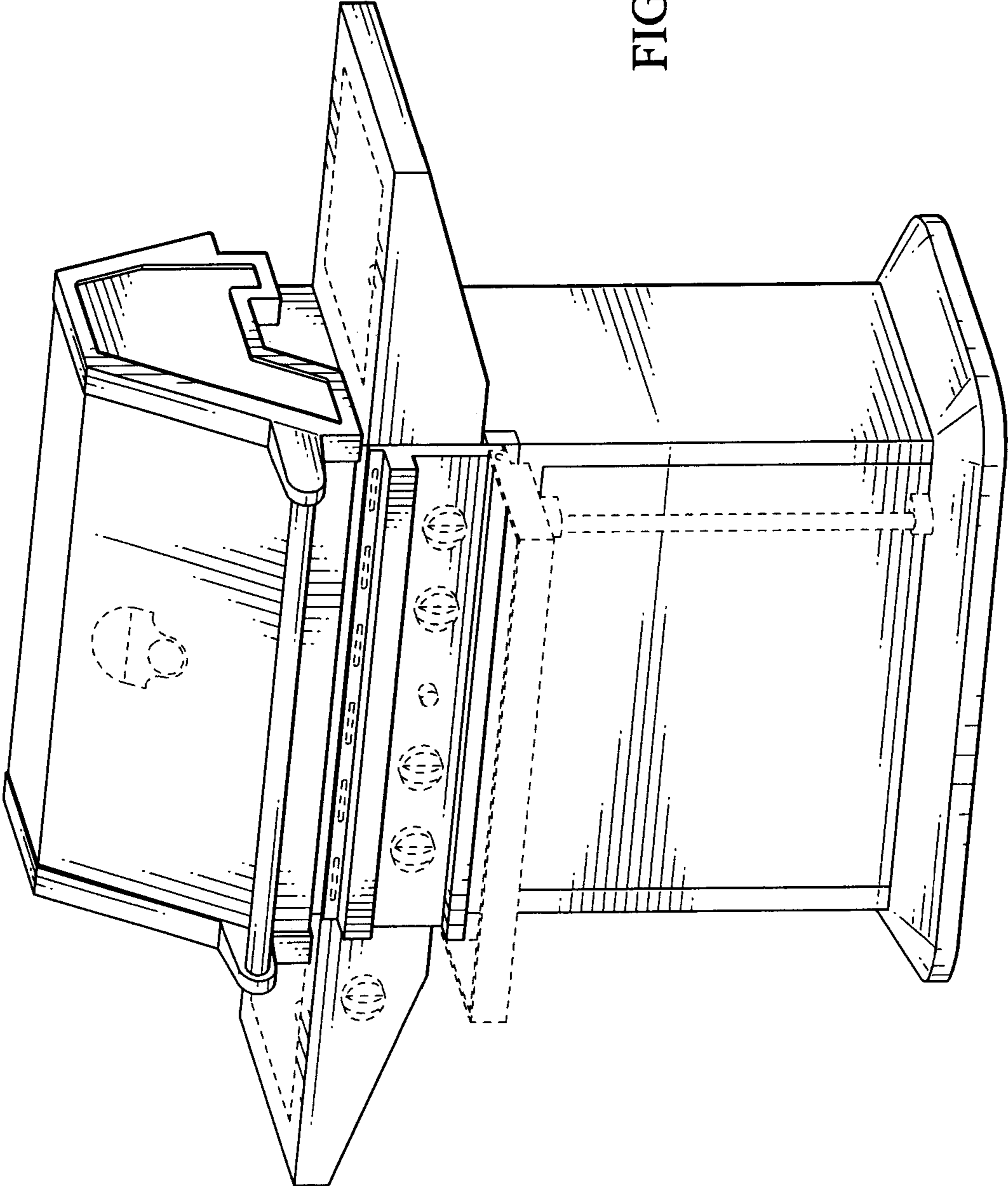


FIG. 1



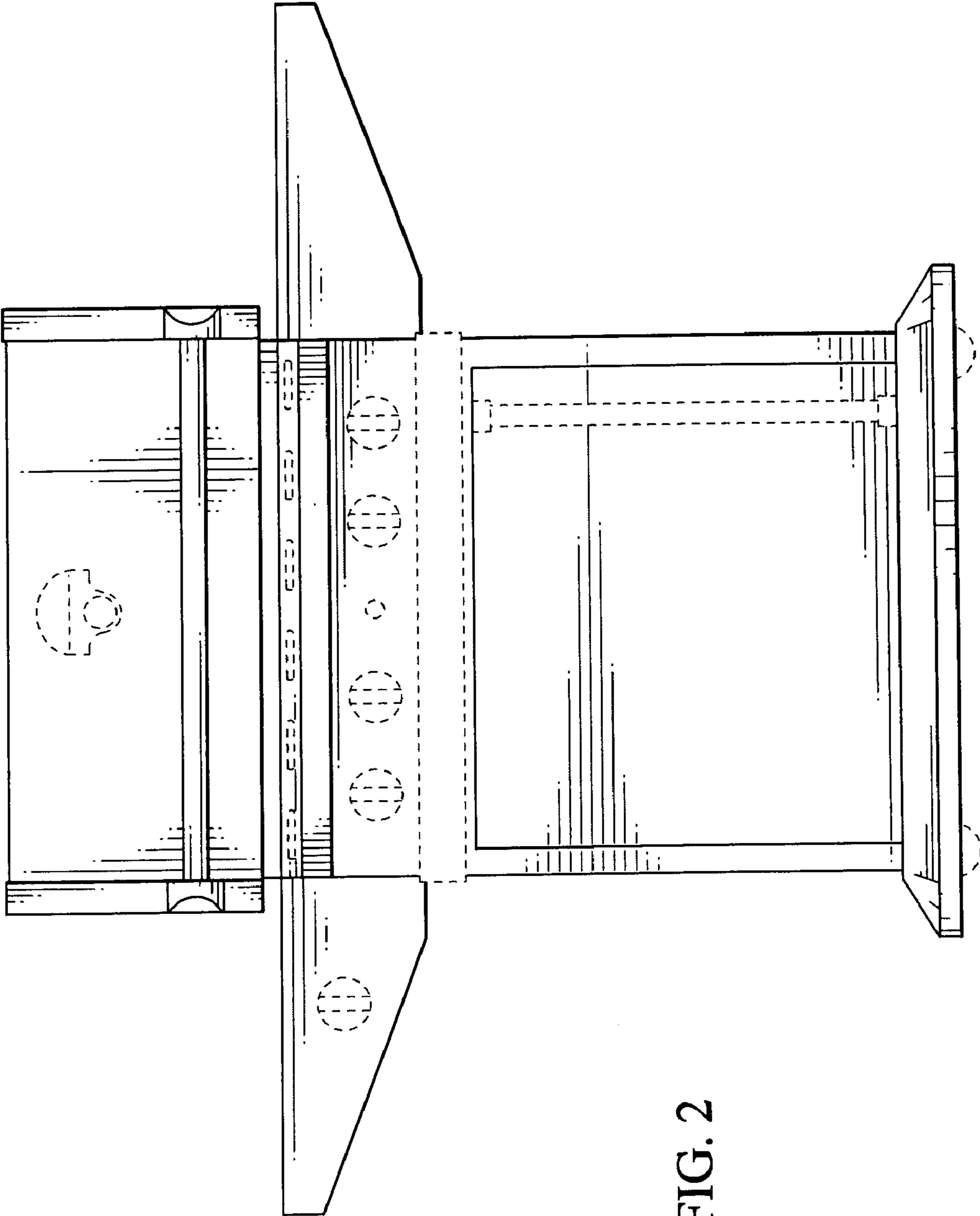
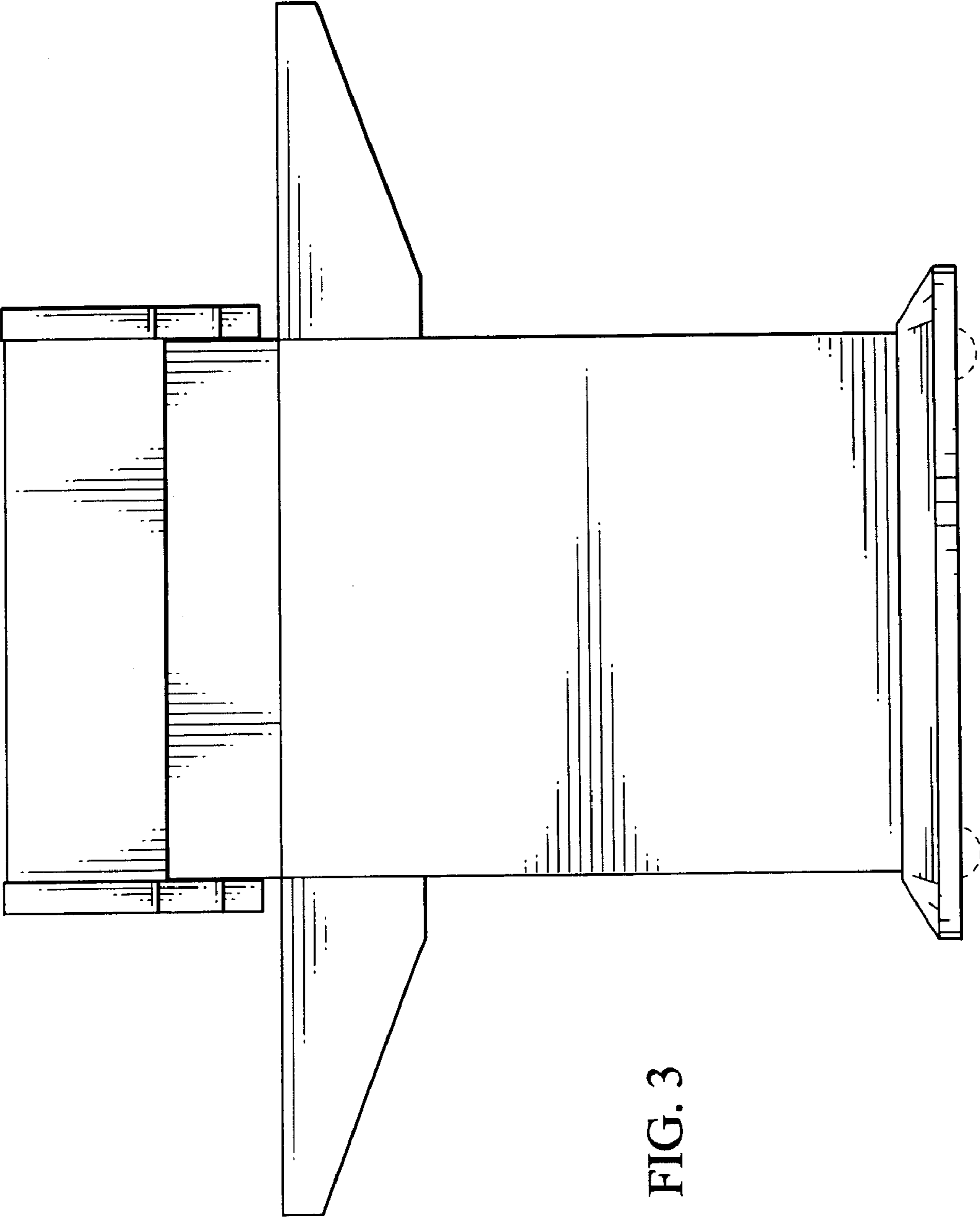


FIG. 2



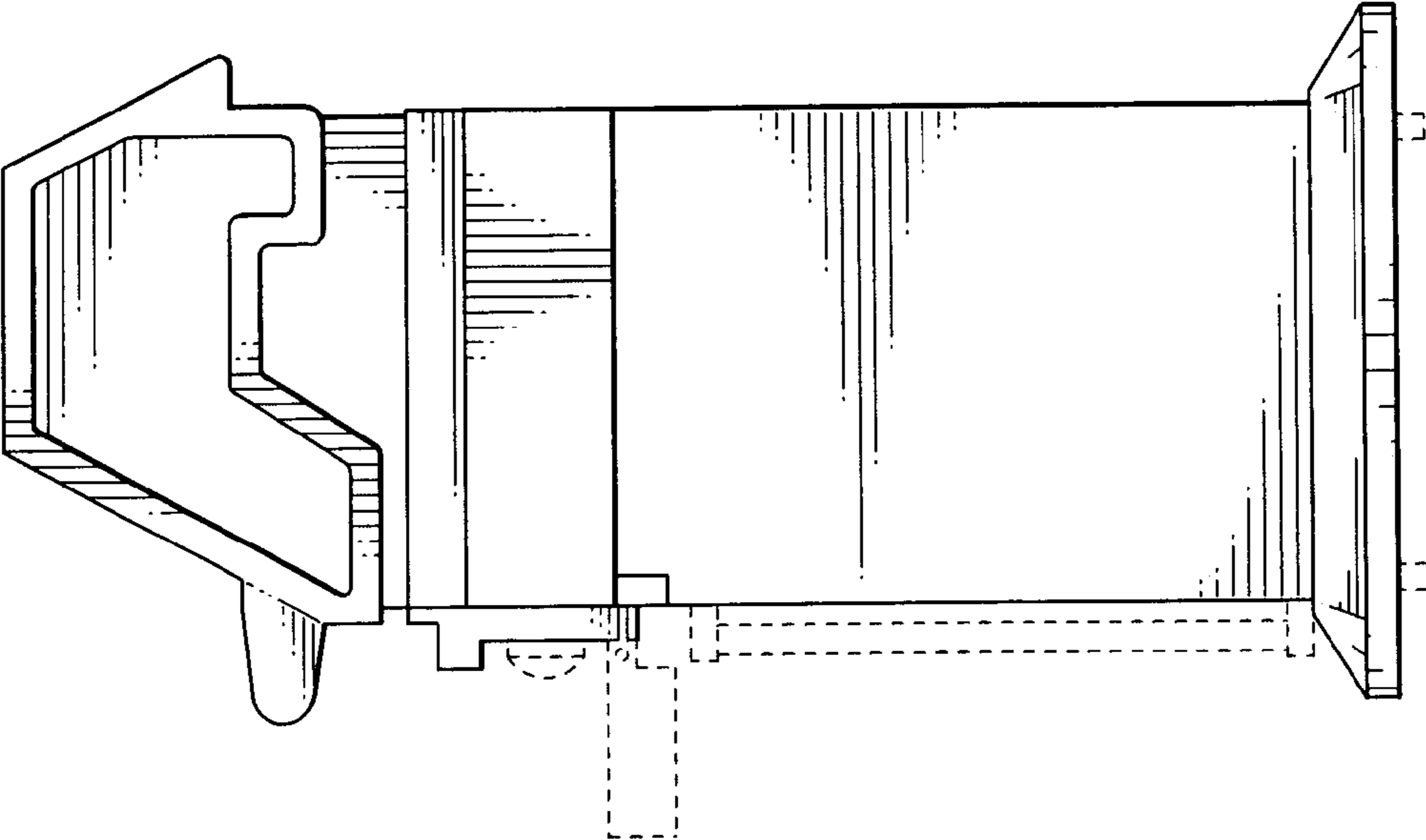


FIG. 4

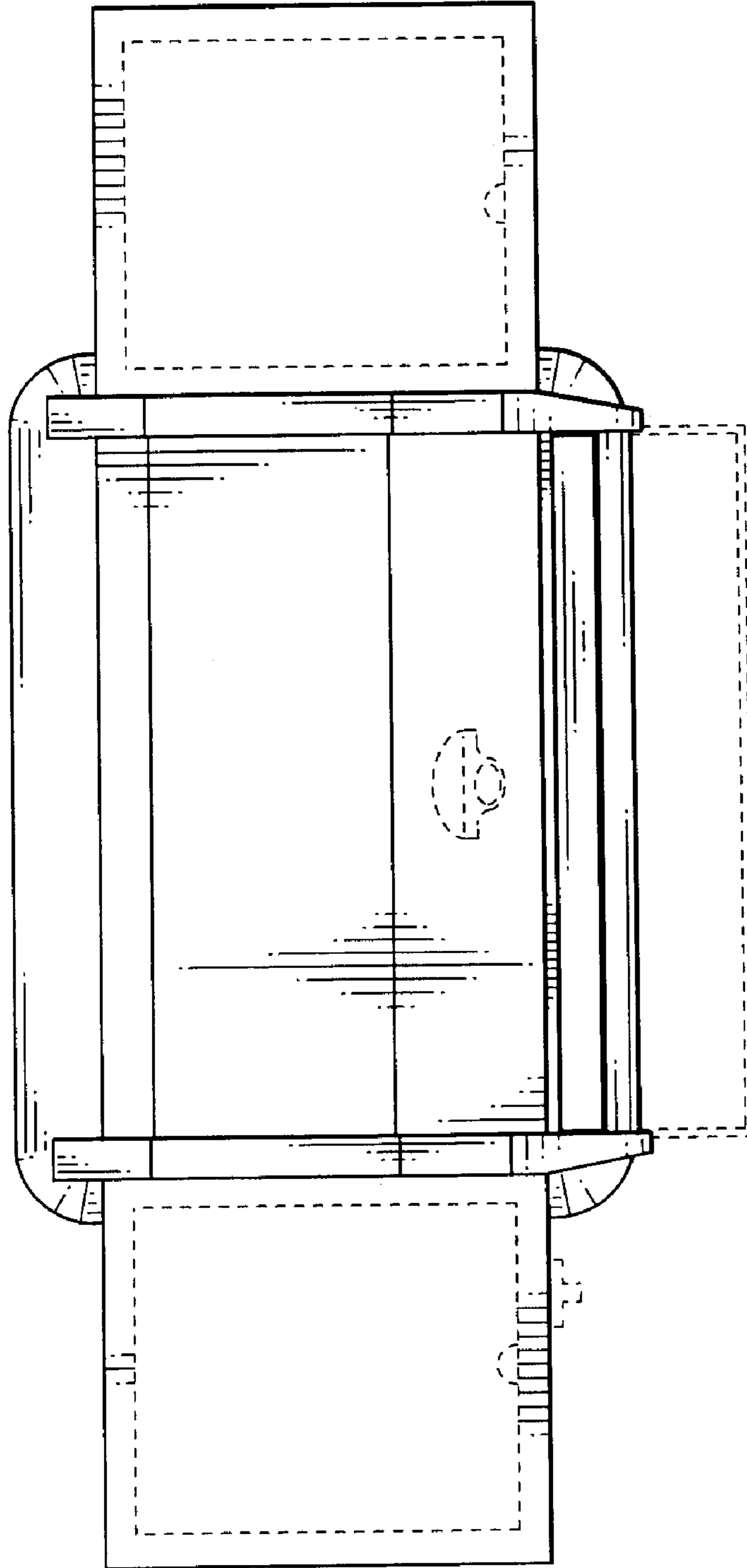


FIG. 5

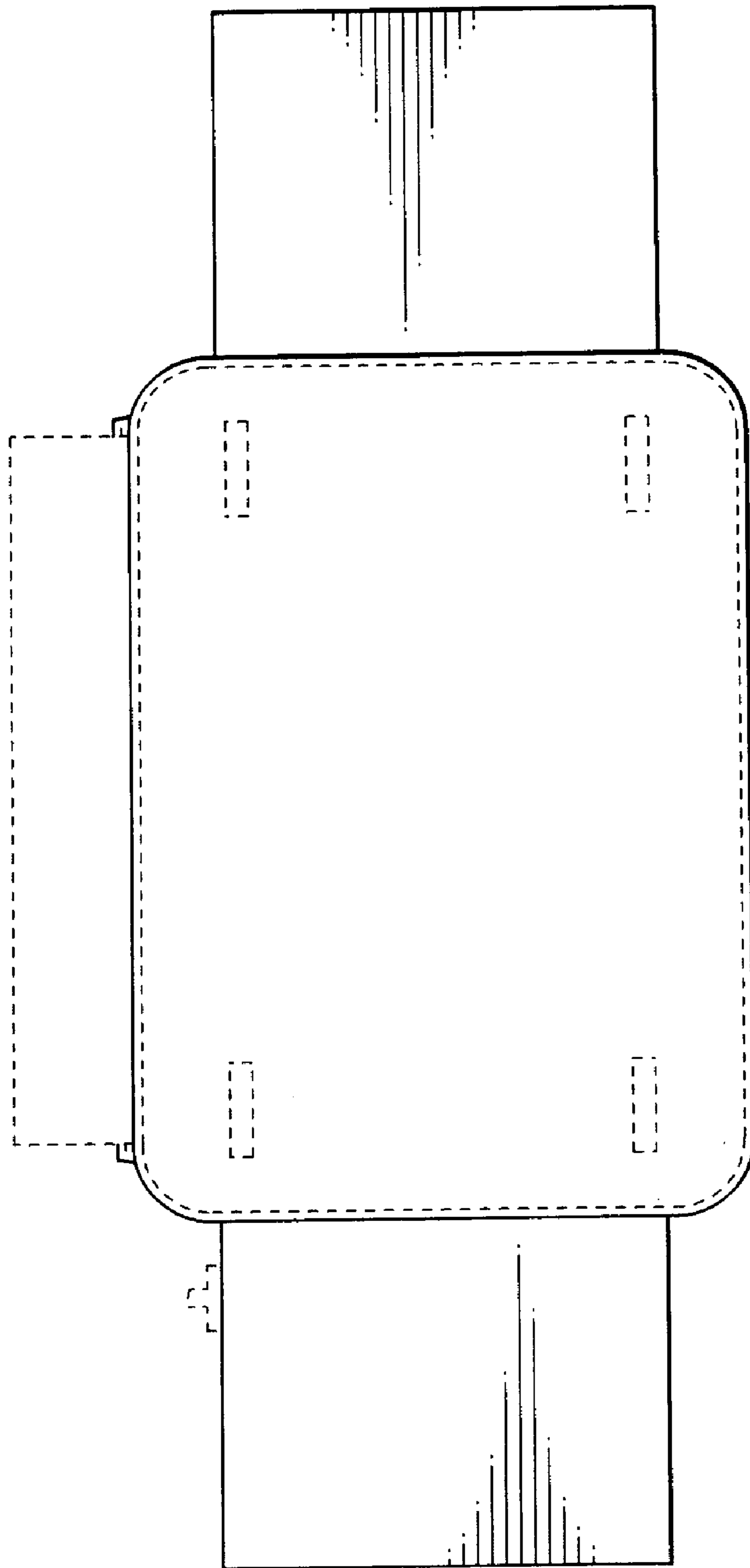
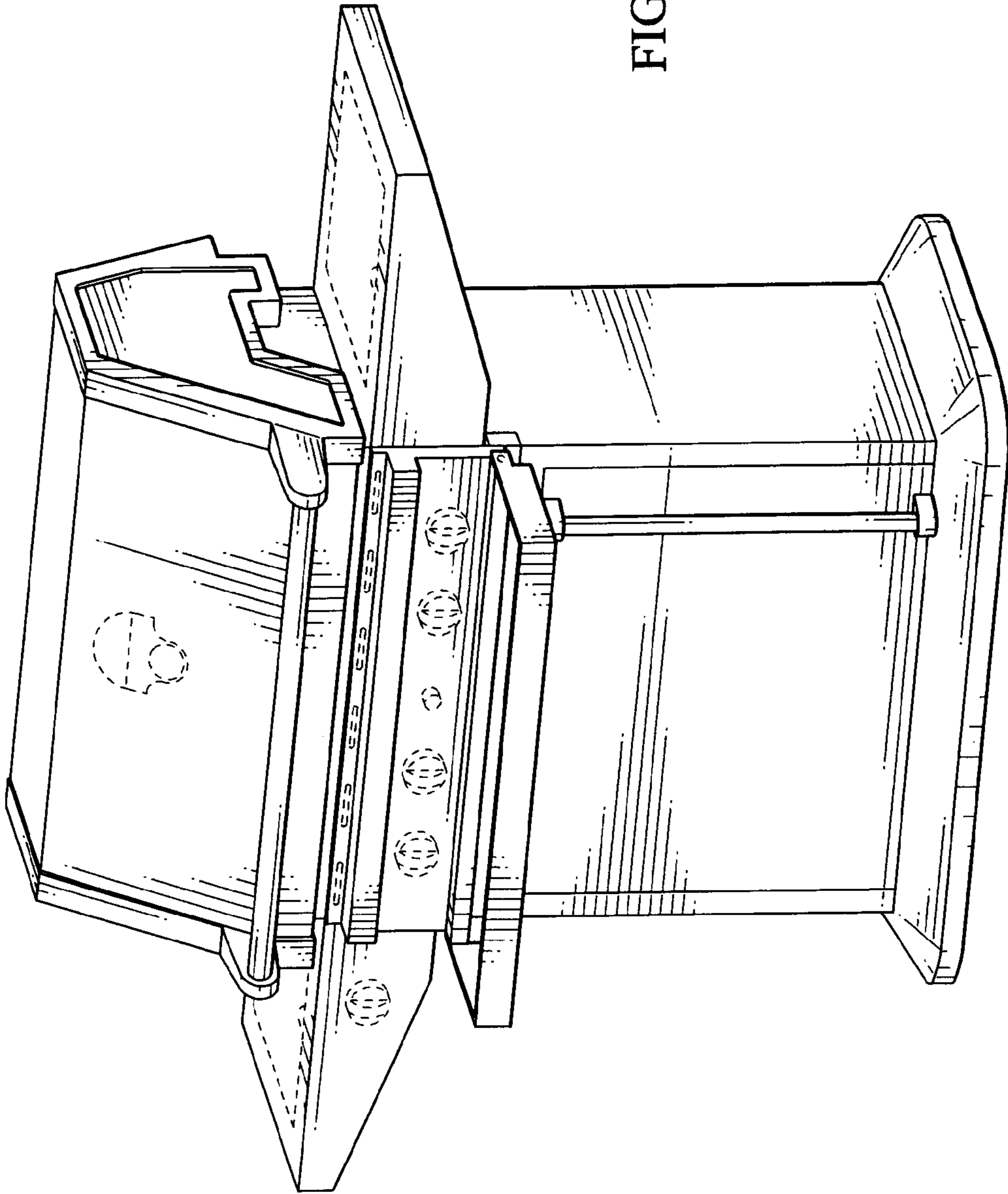


FIG. 6

FIG. 7



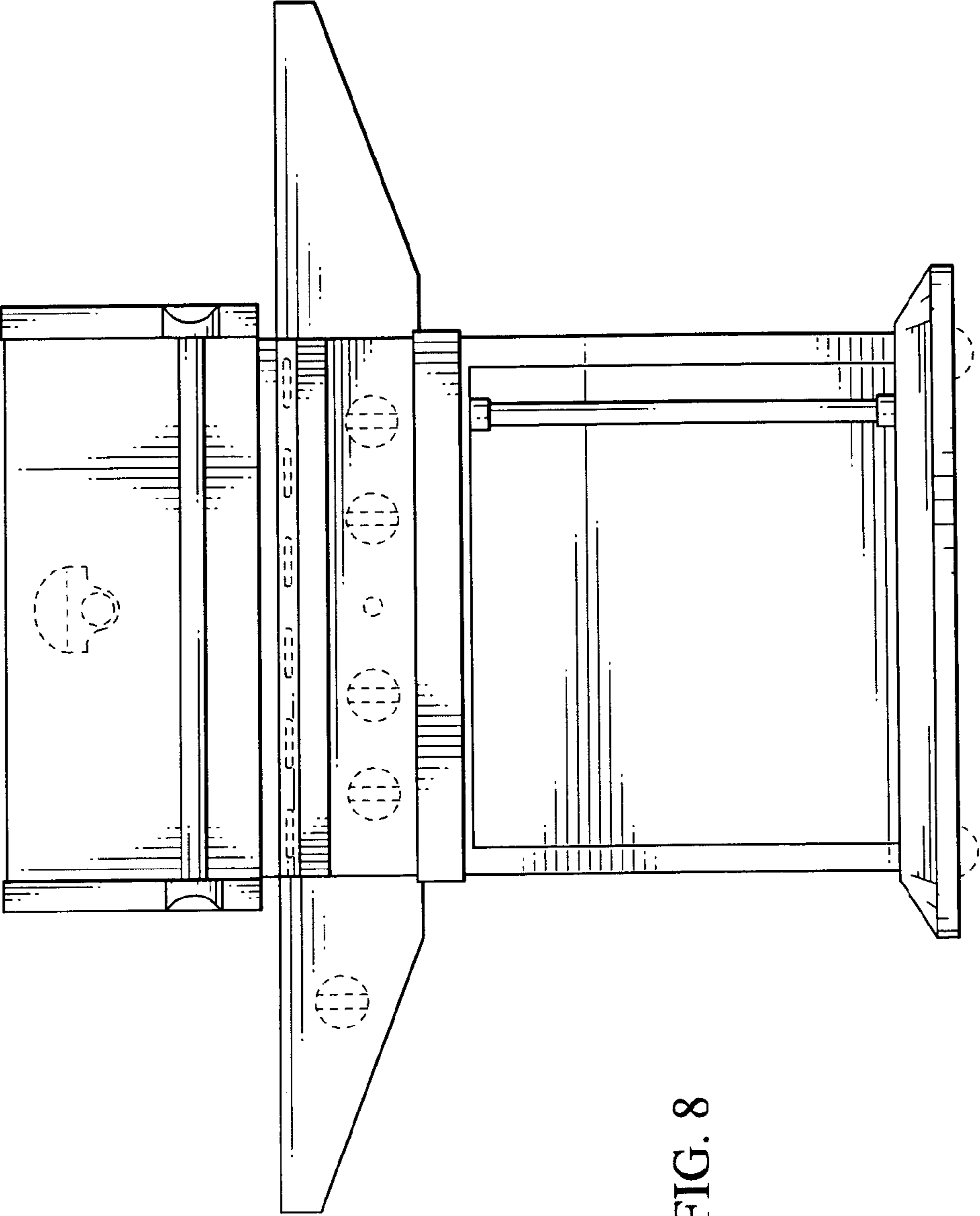


FIG. 8

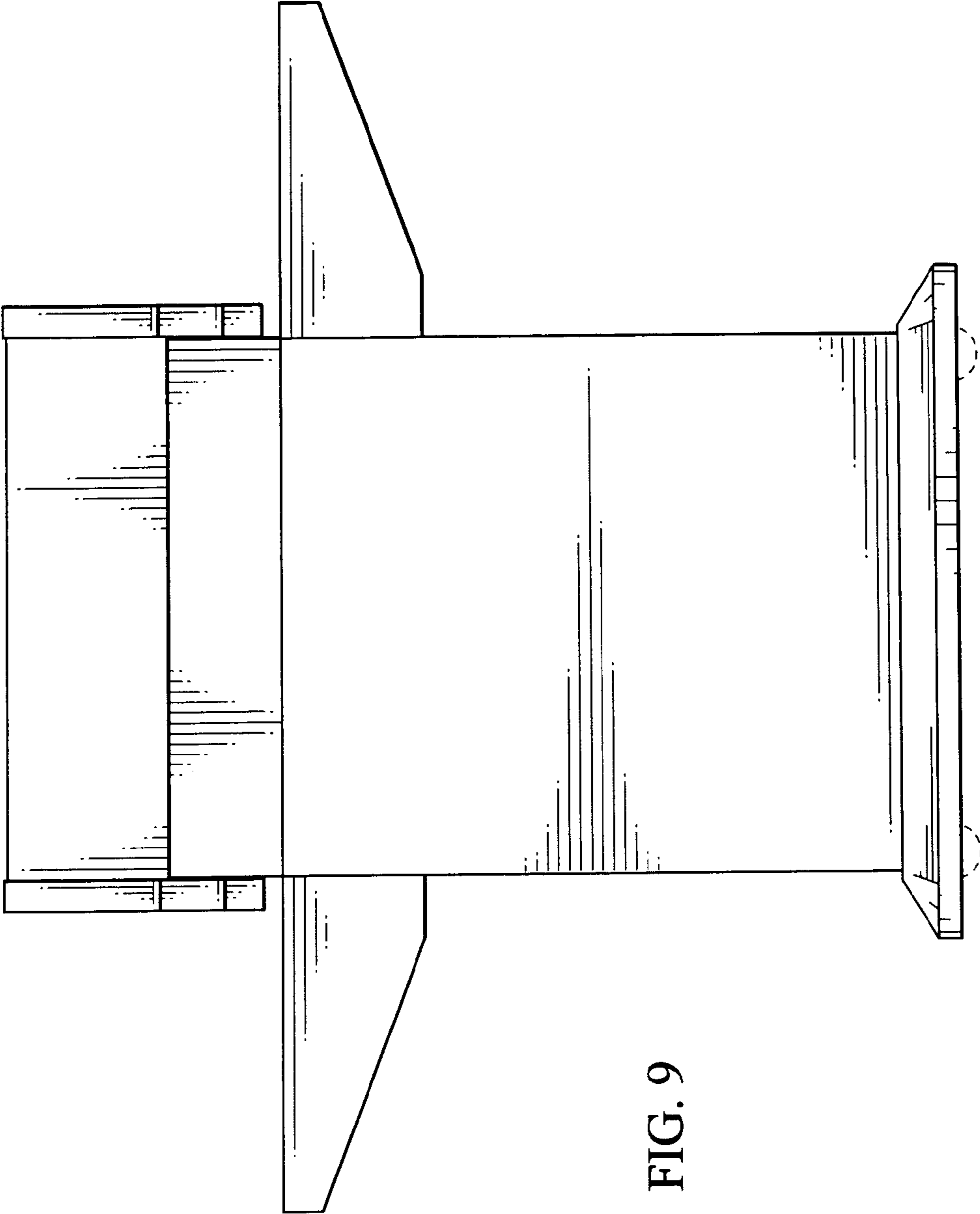


FIG. 9

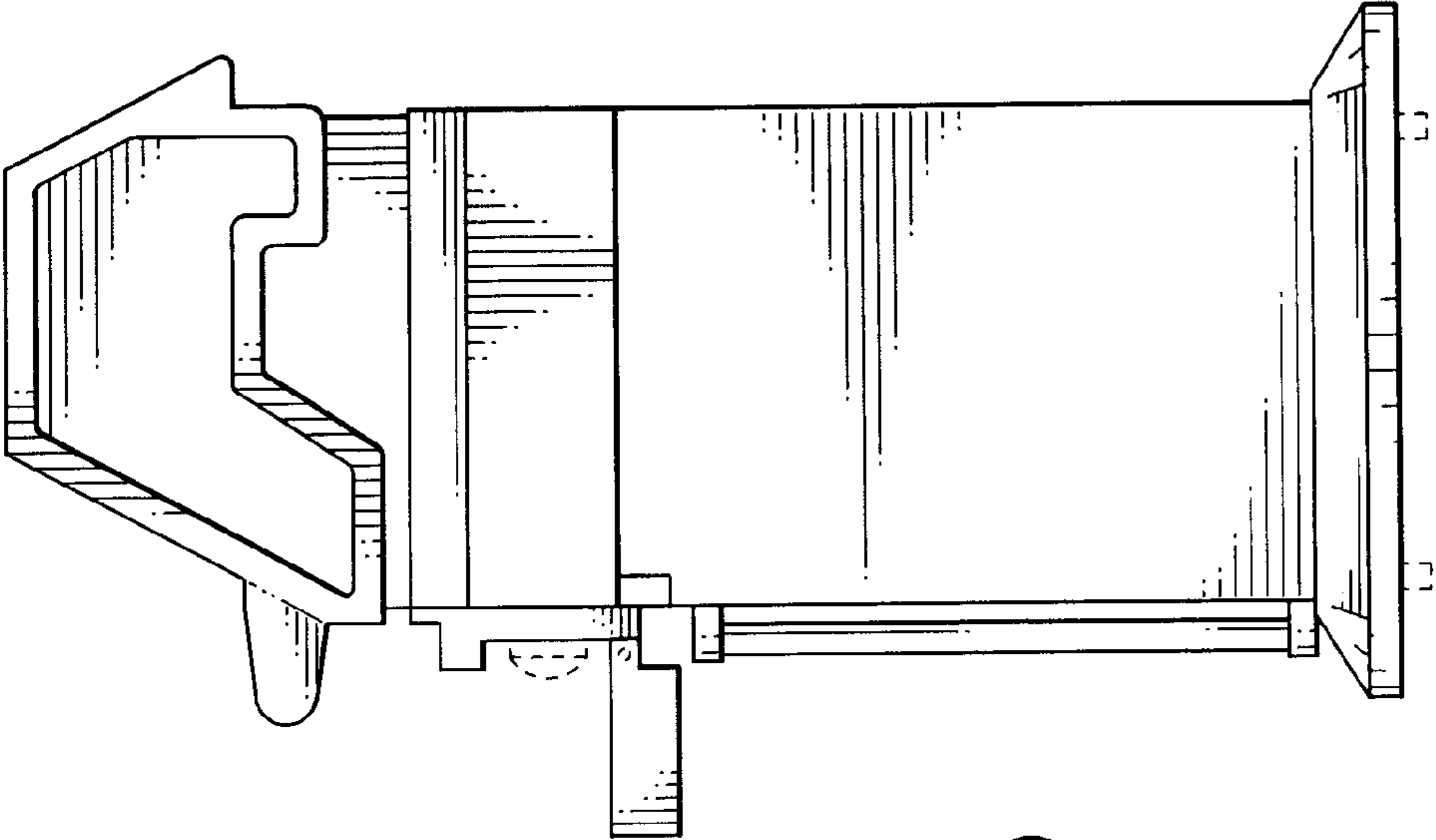


FIG. 10

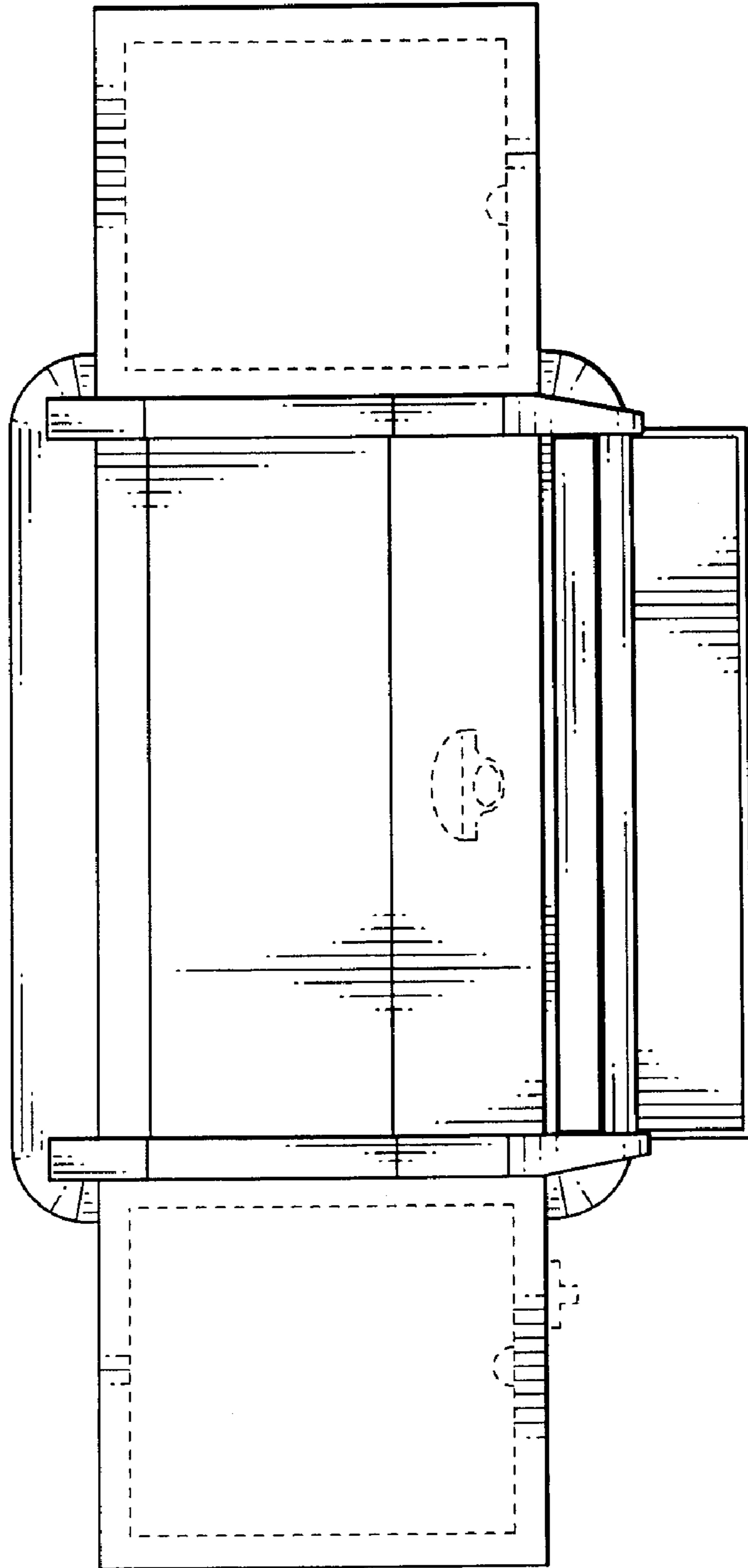


FIG. 11

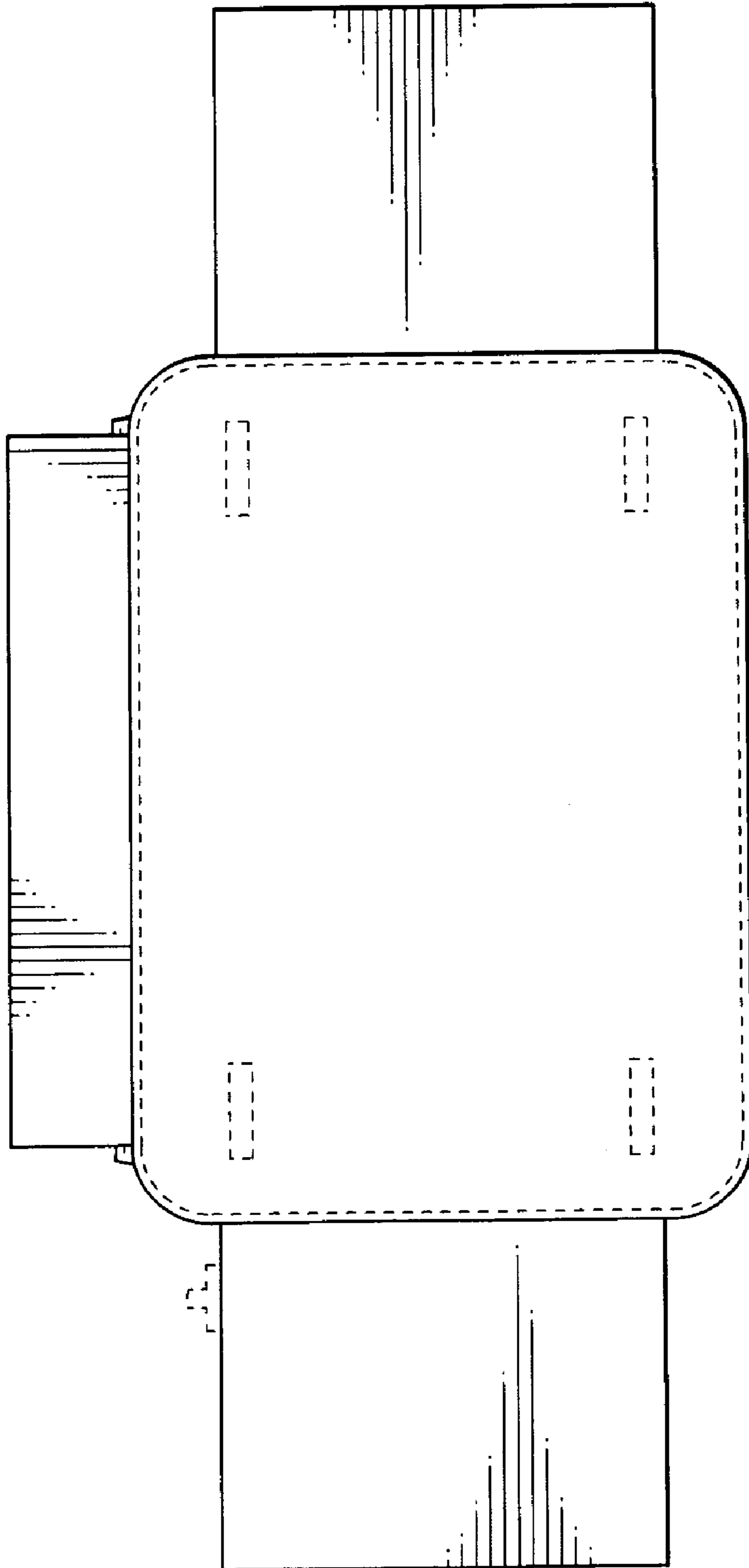


FIG. 12