



US00D516363S

(12) **United States Design Patent** (10) **Patent No.:** **US D516,363 S**
Fair (45) **Date of Patent:** **** Mar. 7, 2006**

(54) **WALLET FOR COMPACT DISCS**
(75) **Inventor:** **Paul Fair**, Denver, CO (US)
(73) **Assignee:** **Case Logic, Inc.**, Longmont, CO (US)
(**) **Term:** **14 Years**
(21) **Appl. No.:** **29/197,893**
(22) **Filed:** **Jan. 20, 2004**
(51) **LOC (8) Cl.** **03-01**
(52) **U.S. Cl.** **D6/633; D6/407; D6/632**
(58) **Field of Classification Search** D3/218,
D3/270, 298, 301; D6/407, 626-635; 206/18,
206/307.1, 308.1, 308.2, 308.3, 309, 310,
206/311, 312, 313, 445, 749; 312/9.1, 902,
312/9.9, 9.48, 9.55, 9.64, 9.47, 9.53, 328
See application file for complete search history.

(56) **References Cited**

U.S. PATENT DOCUMENTS

D189,809 S	*	2/1961	Cole et al.	D19/27
D303,042 S	*	8/1989	Mackey	D6/630
D352,604 S	*	11/1994	Johnson	D3/303
D382,166 S	*	8/1997	Alves et al.	D6/634
D401,406 S	*	11/1998	Alves et al.	D3/215
D407,432 S	*	3/1999	Tell	D19/26
D412,936 S	*	8/1999	Hodes	D19/26
D419,186 S	*	1/2000	Moor	D19/27
D424,105 S	*	5/2000	Platte, III	D19/27
6,106,015 A	*	8/2000	Udwin et al.	281/29
D433,444 S	*	11/2000	Eskandry	D19/27
D434,938 S	*	12/2000	Hillman	D6/633

(Continued)

OTHER PUBLICATIONS

U.S. Appl. No. 29/197,858, filed Jan. 20, 2004, Fair.
1996 Case Logic Computer Product Catalog, CD Rom Albums, CD Rom Files.
1997 Case Logic Audio Catalog, CD organizers.
1998 Case it Catalog.
1999 Case Logic Catalog, pp. 5-7, 13 and 30.

1999 cdProjects Catalog, pp. 3-7, 9, 10, 15 and 23.
2000 cdProjects Catalog, pp. 3, 4, 6-10, 13, 16-18, 20 and 24-26.
Spring 2000 Case Logic Catalog, pp. 6-9.
2000 Case Logic Catalog, pp. 5-7, 18 and 26.
2001 Case Logic Catalog, pp. 5-9, 21 and 29.
2001 Case it Catalog, pp. 1, 2, 8, 9, 11 and 13.
2002 Case Logic Catalog, pp. 3-7, 11, 16, 17, 24 and 37.
2003 Case Logic Catalog, pp. 3-5, 7, 12-15 and 27.
Fellowes Catalog, pp. 113-115, date unknown.

Primary Examiner—Celia A. Murphy

(74) *Attorney, Agent, or Firm*—Bruce A. Kugler

(57) **CLAIM**

The ornamental design for a wallet for compact discs, shown and described.

DESCRIPTION

FIG. 1 is a front perspective view of a wallet for compact discs showing my new design; the broken lines showing a fastener-pull throughout the views representing a portion of the design that forms no part of the claim;

FIG. 2 is a top perspective view thereof shown in an open position. The broken lines showing interior details represent portions of the design that form no part of the claim.

FIG. 3 is a front elevation view of the invention illustrated in FIG. 1;

FIG. 4 is a rear elevation view of the invention illustrated in FIG. 1;

FIG. 5 is a right elevation view of the invention illustrated in FIG. 1;

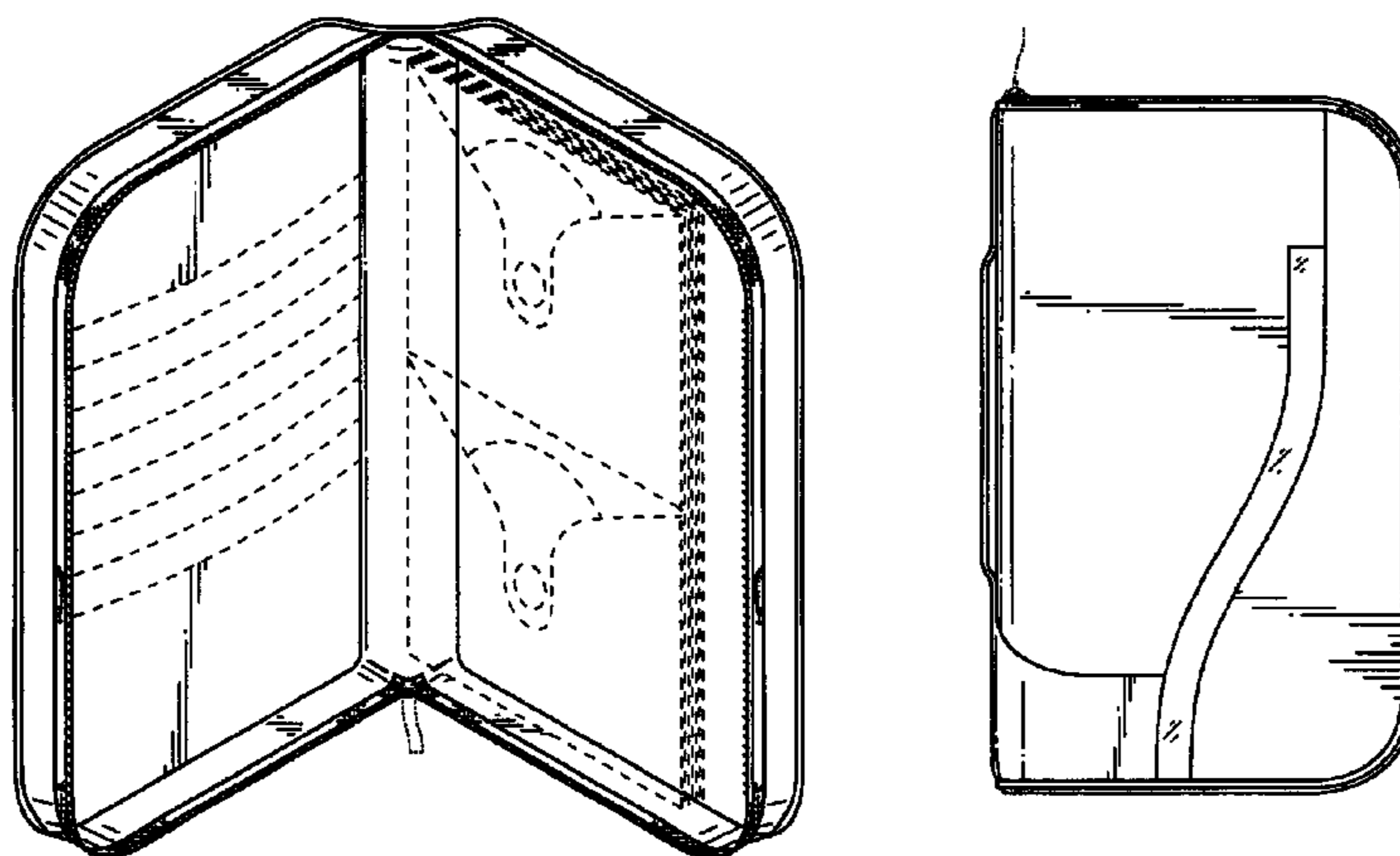
FIG. 6 is a left elevation view of the invention illustrated in FIG. 1;

FIG. 7 is a top plan view of the invention illustrated in FIG. 1; and,

FIG. 8 is a bottom plan view of the invention illustrated in FIG. 1.

The top and bottom broken lines immediately adjacent to the shaded surfaces in FIG. 2 define the boundaries of the design. The broken lines themselves, as well as the broken lines in between them form no part of the claim.

1 Claim, 5 Drawing Sheets



US D516,363 S

Page 2

U.S. PATENT DOCUMENTS

D459,887 S	*	7/2002	Johnson	D3/303	D486,030 S	*	2/2004	Bergh	D6/632
D460,255 S	*	7/2002	Hillman	D3/218	D489,212 S	*	5/2004	Bergh	D6/632
D460,261 S	*	7/2002	Fair	D3/301	D489,900 S	*	5/2004	Carter	D3/301
D481,250 S	*	10/2003	Hassett	D6/632	D501,113 S	*	1/2005	Bergh	D6/631
D482,522 S	*	11/2003	Hassett	D3/218	D502,802 S	*	3/2005	Fair	D3/218
D484,687 S	*	1/2004	Hassett	D3/218	2004/0065568 A1	*	4/2004	Kim	206/308.1
6,672,452 B1	*	1/2004	Alves et al.	206/232	2004/0222111 A1	*	11/2004	Qualkenbush	206/307

* cited by examiner

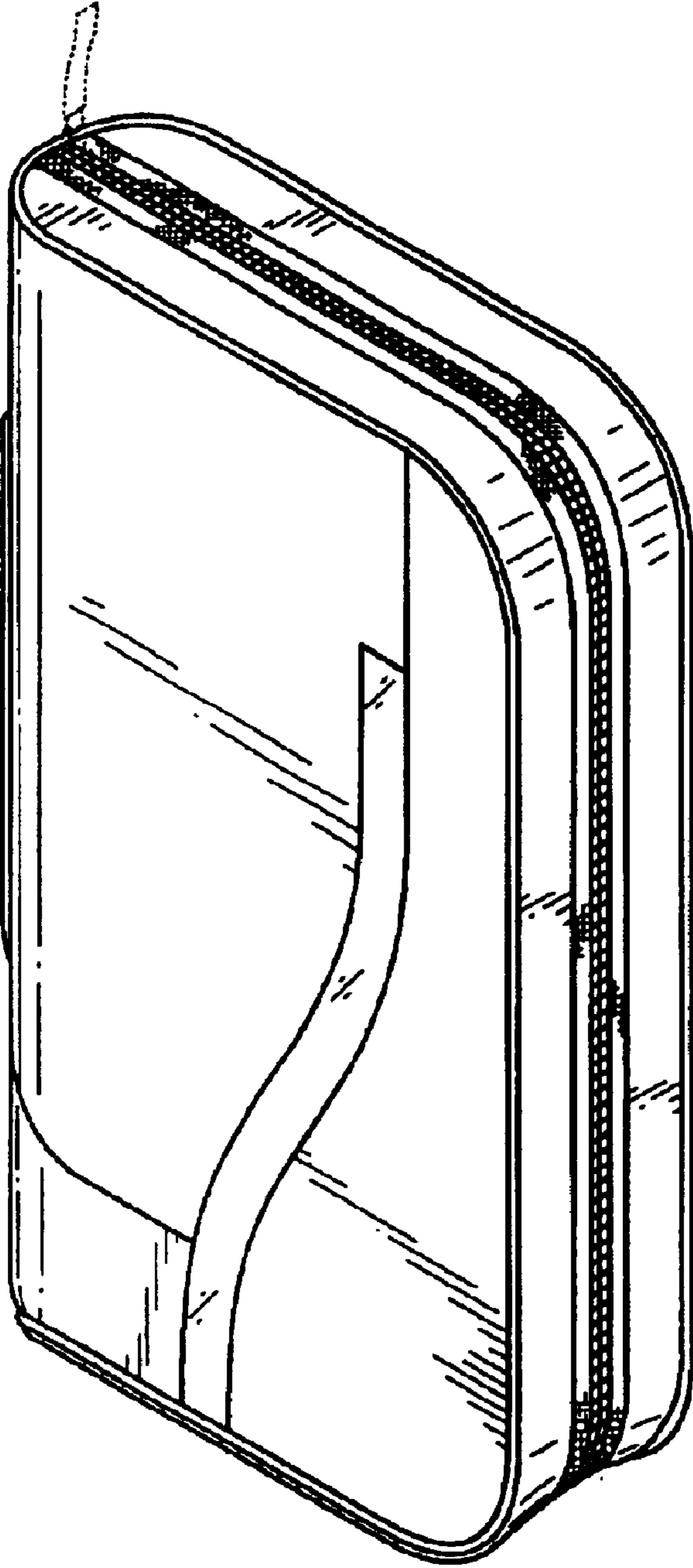


FIG.1

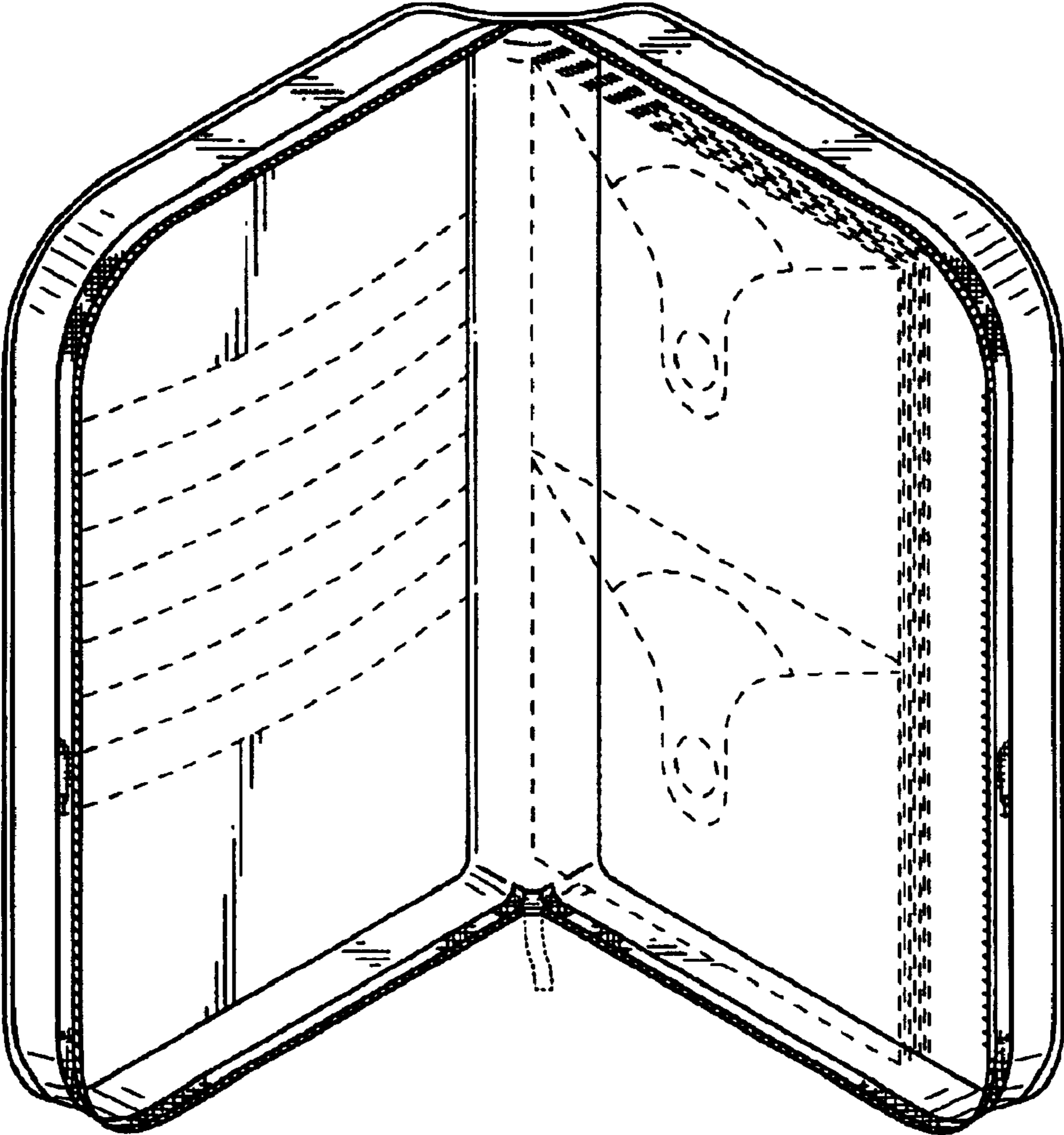


FIG.2

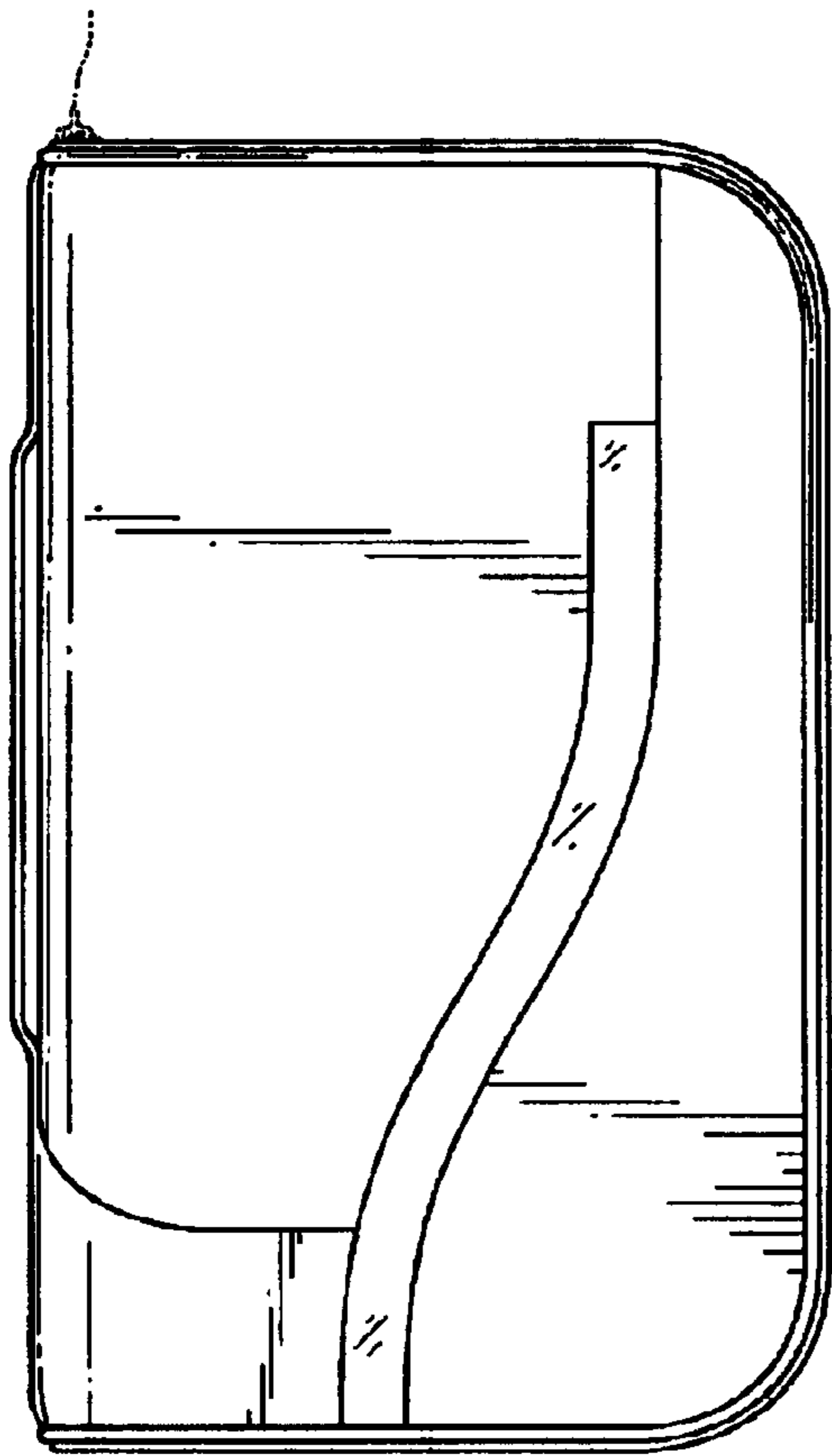


FIG.3

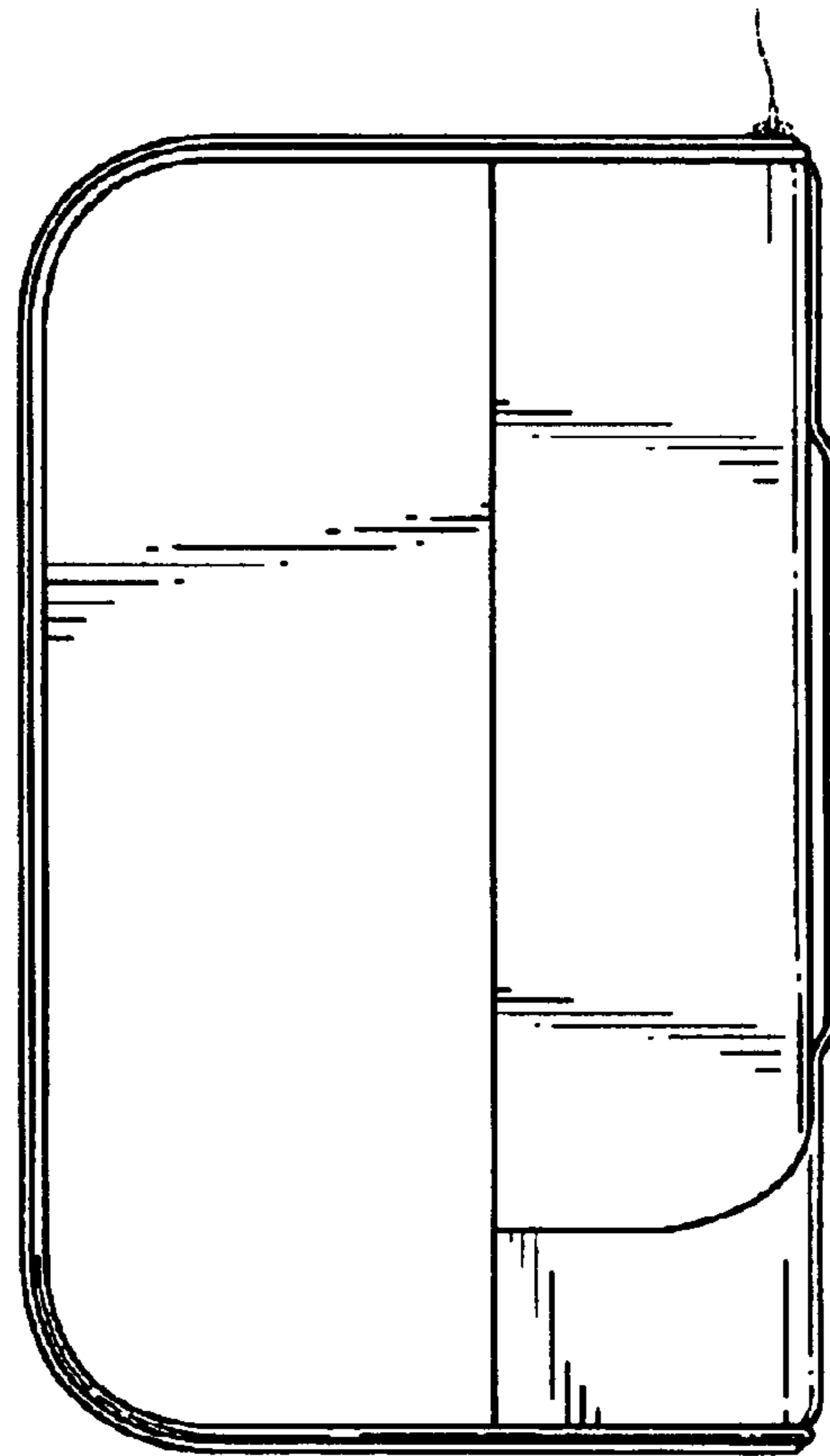


FIG.4

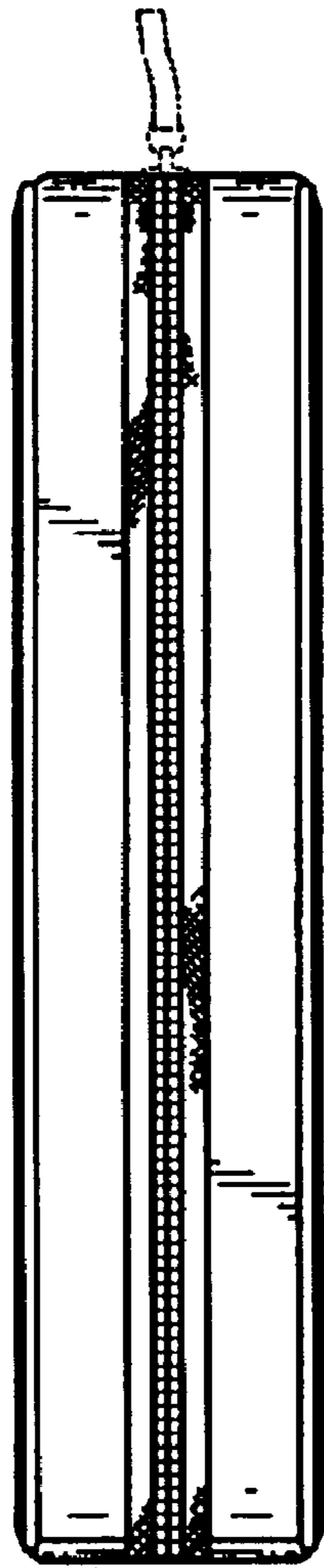


FIG. 5

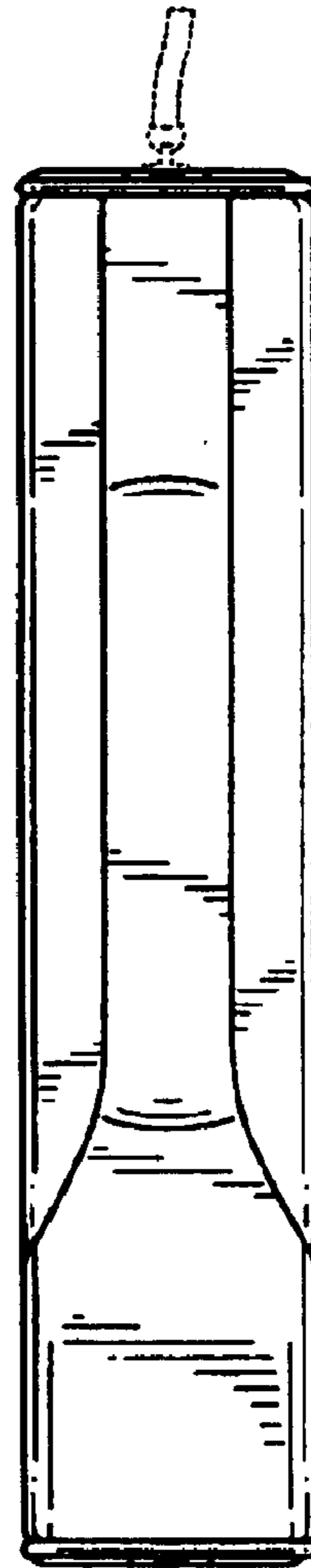


FIG. 6

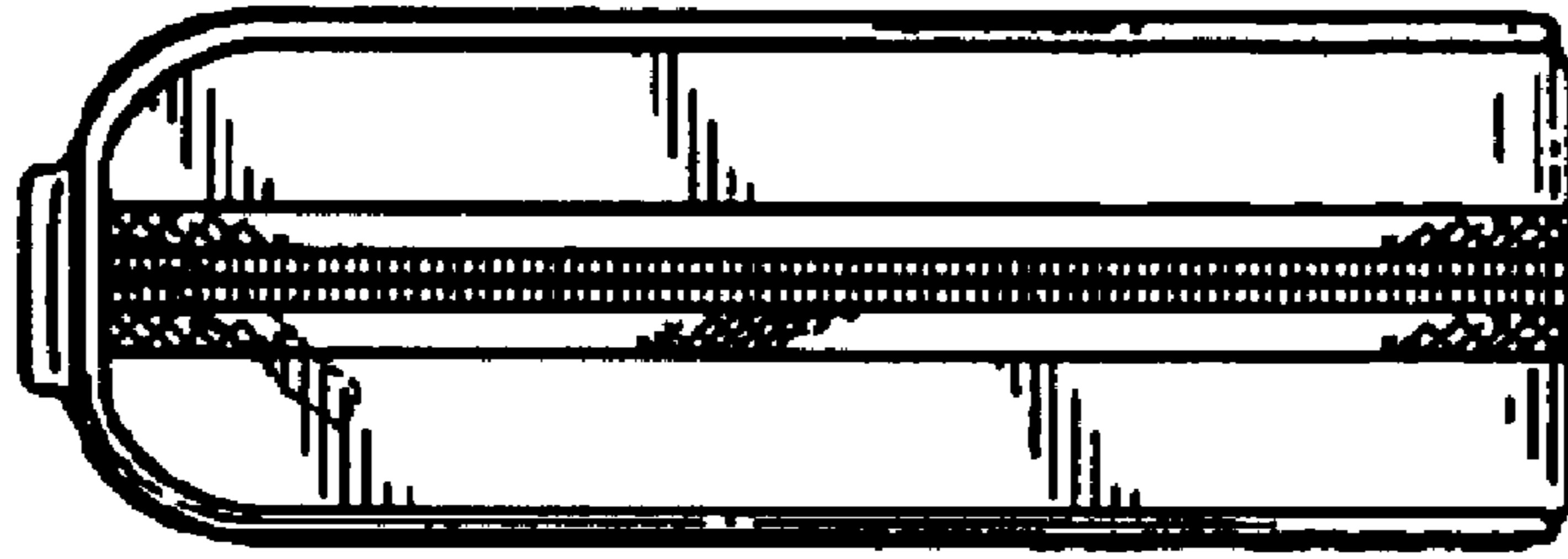


FIG. 7

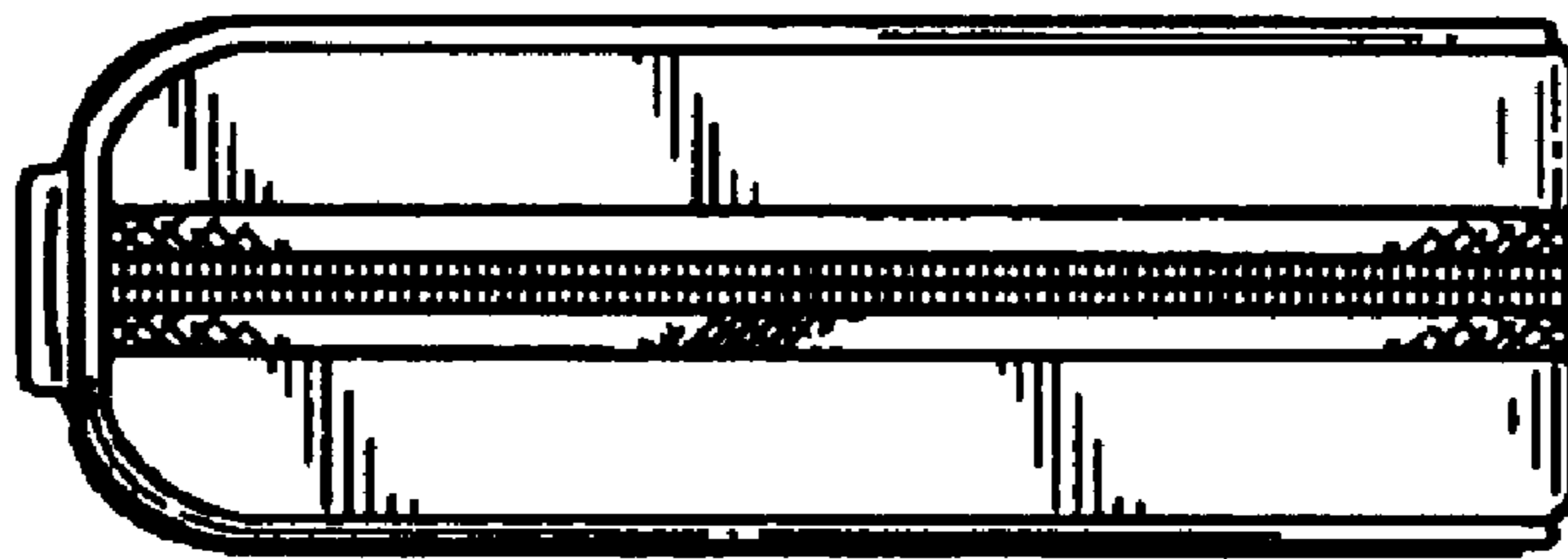


FIG. 8