



US00D516362S

(12) **United States Design Patent**
Peñarroya Farell

(10) **Patent No.:** **US D516,362 S**
(45) **Date of Patent:** **** Mar. 7, 2006**

(54) **COMPACT DISC FILE**

(75) **Inventor:** **Marc Peñarroya Farell**, Barberà del Valles (ES)

(73) **Assignee:** **A P Photo Industries, S.L.**, Barcelona (ES)

(**) **Term:** **14 Years**

(21) **Appl. No.:** **29/204,860**

(22) **Filed:** **May 5, 2004**

(30) **Foreign Application Priority Data**

Nov. 7, 2003 (EM) 97902

(51) **LOC (8) Cl.** **06-04**

(52) **U.S. Cl.** **D6/627**

(58) **Field of Classification Search** D6/627,
D6/628, 407, 629, 630, 467, 468, 475, 476;
206/307.1, 387.14; 211/40, 41.12; 312/9.1,
312/9.9, 9.47, 9.64

See application file for complete search history.

(56) **References Cited**

U.S. PATENT DOCUMENTS

- D168,368 S * 12/1952 Miner D6/473
- 4,317,603 A * 3/1982 Pepicelli et al. 312/9.47
- 4,577,914 A * 3/1986 Stravitz 312/9.9
- 4,741,438 A * 5/1988 Mastronardo et al. ... 206/308.1
- 5,072,835 A * 12/1991 Price et al. 211/40

- 5,415,297 A * 5/1995 Klein et al. 211/40
- 5,638,962 A * 6/1997 Price, Jr. 211/41.12
- 6,098,817 A * 8/2000 Moore 211/41.12
- D438,728 S * 3/2001 Fisher D6/449
- D439,465 S * 3/2001 Mok D6/630

* cited by examiner

Primary Examiner—Cathron C. Brooks

(74) *Attorney, Agent, or Firm*—Steinberg & Raskin, P.C.

(57) **CLAIM**

The ornamental design for the compact disc file, as shown and described.

DESCRIPTION

FIG. 1 illustrates a front perspective view of the compact disc file of the present invention, showing a compact disc support situated therein;

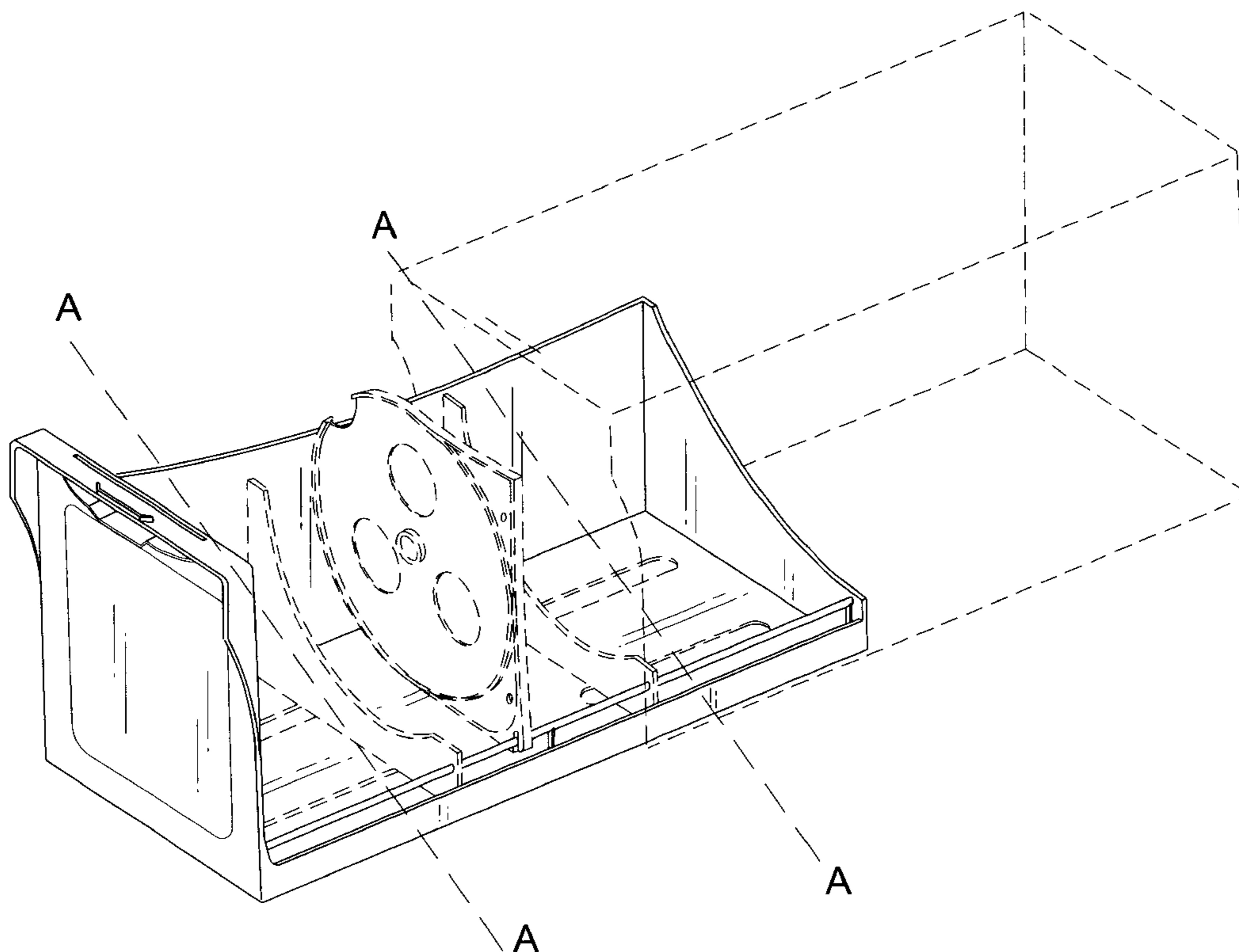
FIG. 2 illustrates a back view of the compact disc file of the present invention, rotated approximately 180 degrees from the view of FIG. 1;

FIG. 3 illustrates a right side view of the compact disc file of the present invention, rotated approximately 90 degrees from the view of FIG. 1; and,

FIG. 4 illustrates a left side view of the compact disc file of the present invention, rotated approximately 90 degrees from the view of FIG. 1.

The broken lines of FIGS. 1 to 4 are for illustrative purposes only and form no part of the claimed design.

1 Claim, 4 Drawing Sheets



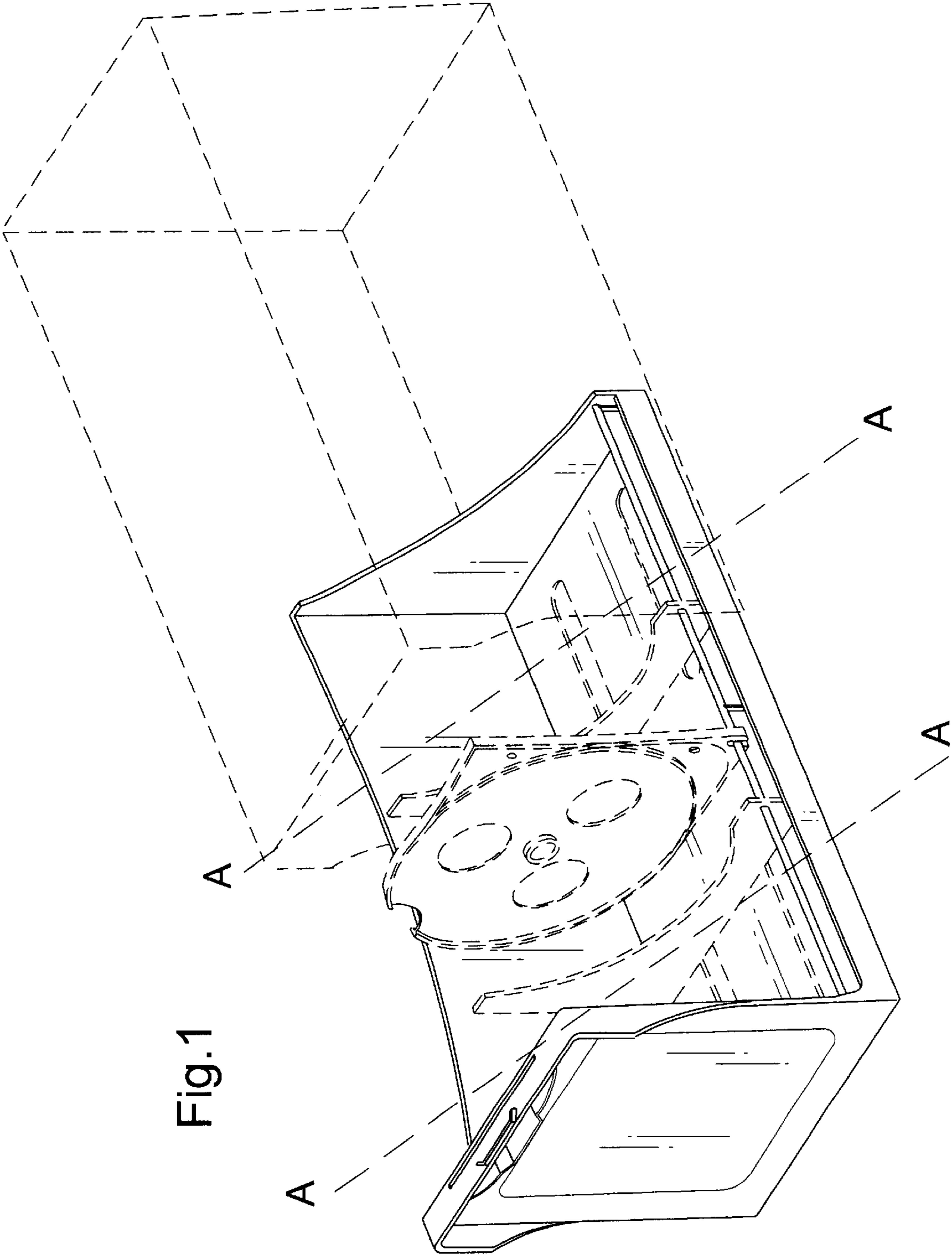


Fig.1

Fig.2

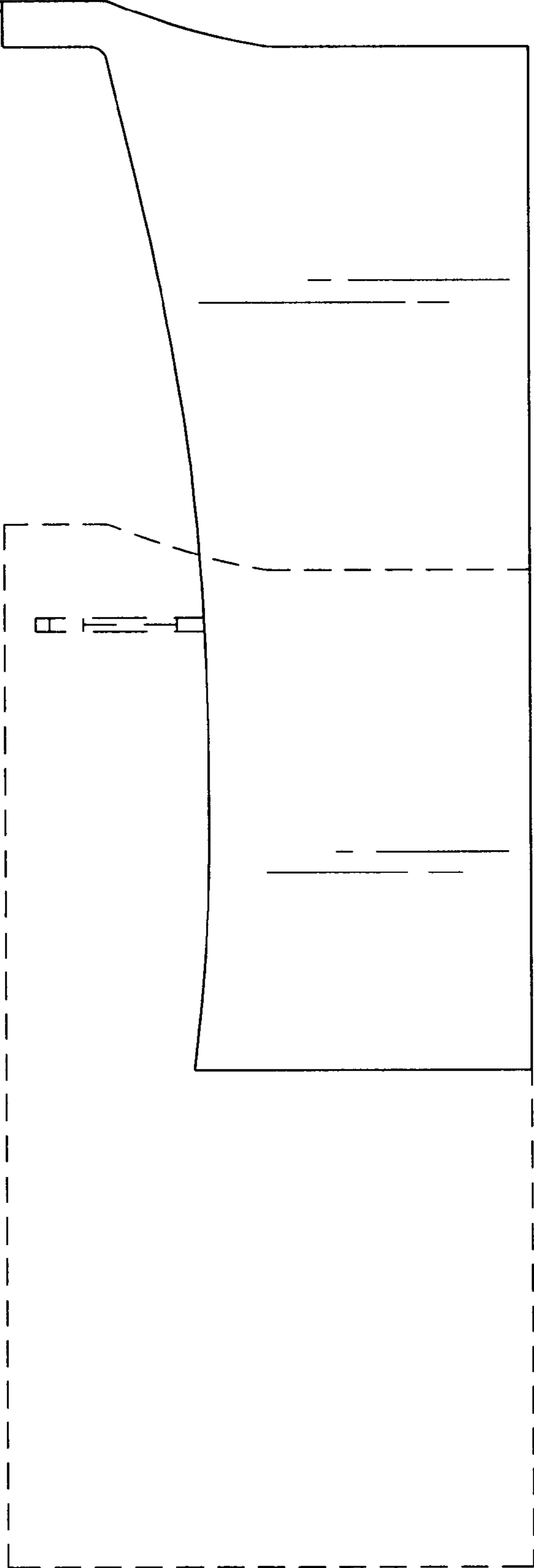


Fig.3

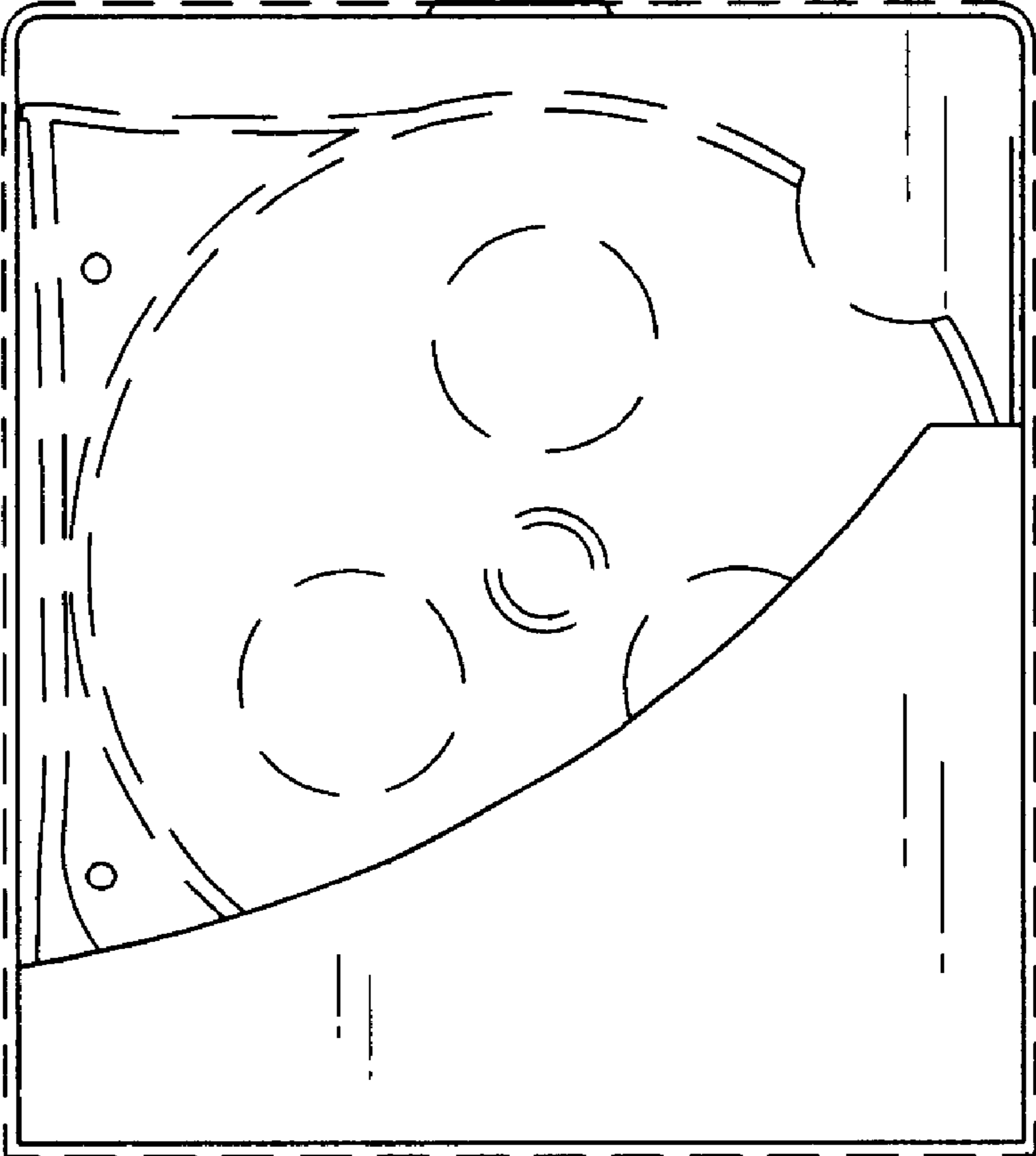


Fig.4

