



US00D516361S

(12) **United States Design Patent**
Peñarroya Farell

(10) **Patent No.: US D516,361 S**
(45) **Date of Patent: ** Mar. 7, 2006**

(54) **COMPACT DISC FILE**

6,098,817 A * 8/2000 Moore 211/41.12
D438,728 S * 3/2001 Fisher D6/449
D439,465 S * 3/2001 Mok D6/630

(75) Inventor: **Marc Peñarroya Farell**, Barberà del Valles (ES)

* cited by examiner

(73) Assignee: **A P Photo Industries, S.L.**, Barcelona (ES)

Primary Examiner—Cathron C. Brooks
(74) *Attorney, Agent, or Firm*—Steinberg & Raskin, P.C.

(**) Term: **14 Years**

(57) **CLAIM**

(21) Appl. No.: **29/204,859**

The ornamental design for the compact disc file, as shown and described.

(22) Filed: **May 5, 2004**

(30) **Foreign Application Priority Data**

Nov. 7, 2003 (EM) 97902

(51) **LOC (8) Cl.** **06-04**

(52) **U.S. Cl.** **D6/627**

(58) **Field of Classification Search** D6/627,
D6/628, 407, 629, 630, 467, 468, 475, 476;
206/307.1, 387.14; 211/40, 41.12; 312/9.1,
312/9.9, 9.47, 9.64

See application file for complete search history.

DESCRIPTION

FIG. 1 illustrates a front perspective view of the compact disc file of the present invention, showing a compact disc support situated therein;

FIG. 2 illustrates a back view of the compact disc file of the present invention, rotated approximately 180 degrees from the view of FIG. 1;

FIG. 3 illustrates a side view of the compact disc file of the present invention, rotated approximately 90 degrees from the view of FIG. 1;

FIG. 4 illustrates a close-up and cut-away view of the compact disc support of the compact disc file of the present invention taken across lines A—A of the perspective view of FIG. 1; and,

FIG. 5 illustrates a side view of the compact disc file of the present invention, rotated approximately 90 degrees from the view of FIG. 1.

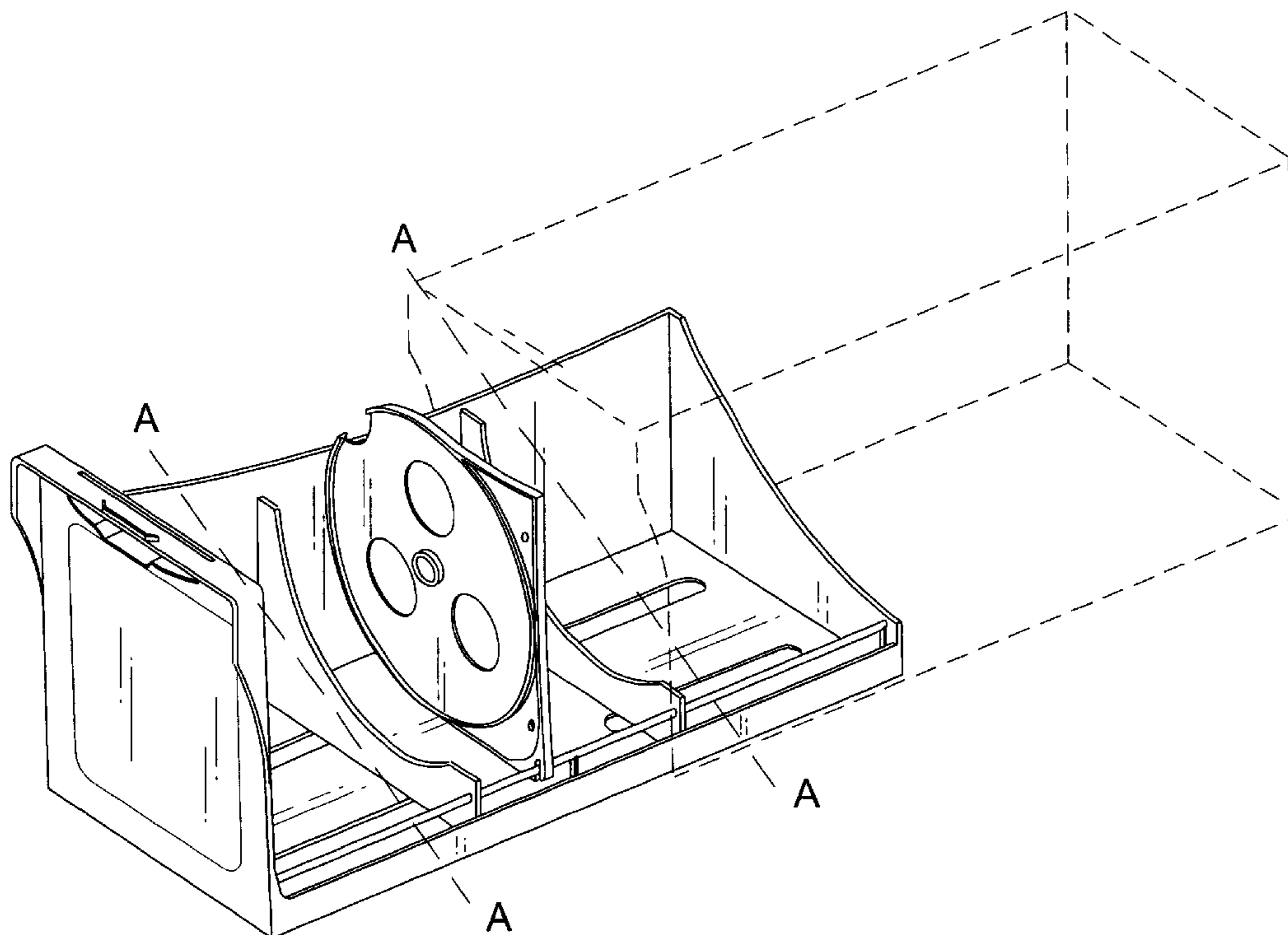
The broken lines of FIGS. 1 to 5 are for illustrative purposes only and form no part of the claimed design.

(56) **References Cited**

U.S. PATENT DOCUMENTS

D168,366 S * 12/1952 Miner D6/473
4,317,603 A * 3/1982 Pepicelli et al. 312/9.47
4,577,914 A * 3/1986 Stravitz 312/9.9
4,741,438 A * 5/1988 Mastronardo et al. ... 206/308.1
5,072,835 A * 12/1991 Price et al. 211/40
5,415,297 A * 5/1995 Klein et al. 211/40
5,638,962 A * 6/1997 Price, Jr. 211/41.12

1 Claim, 5 Drawing Sheets



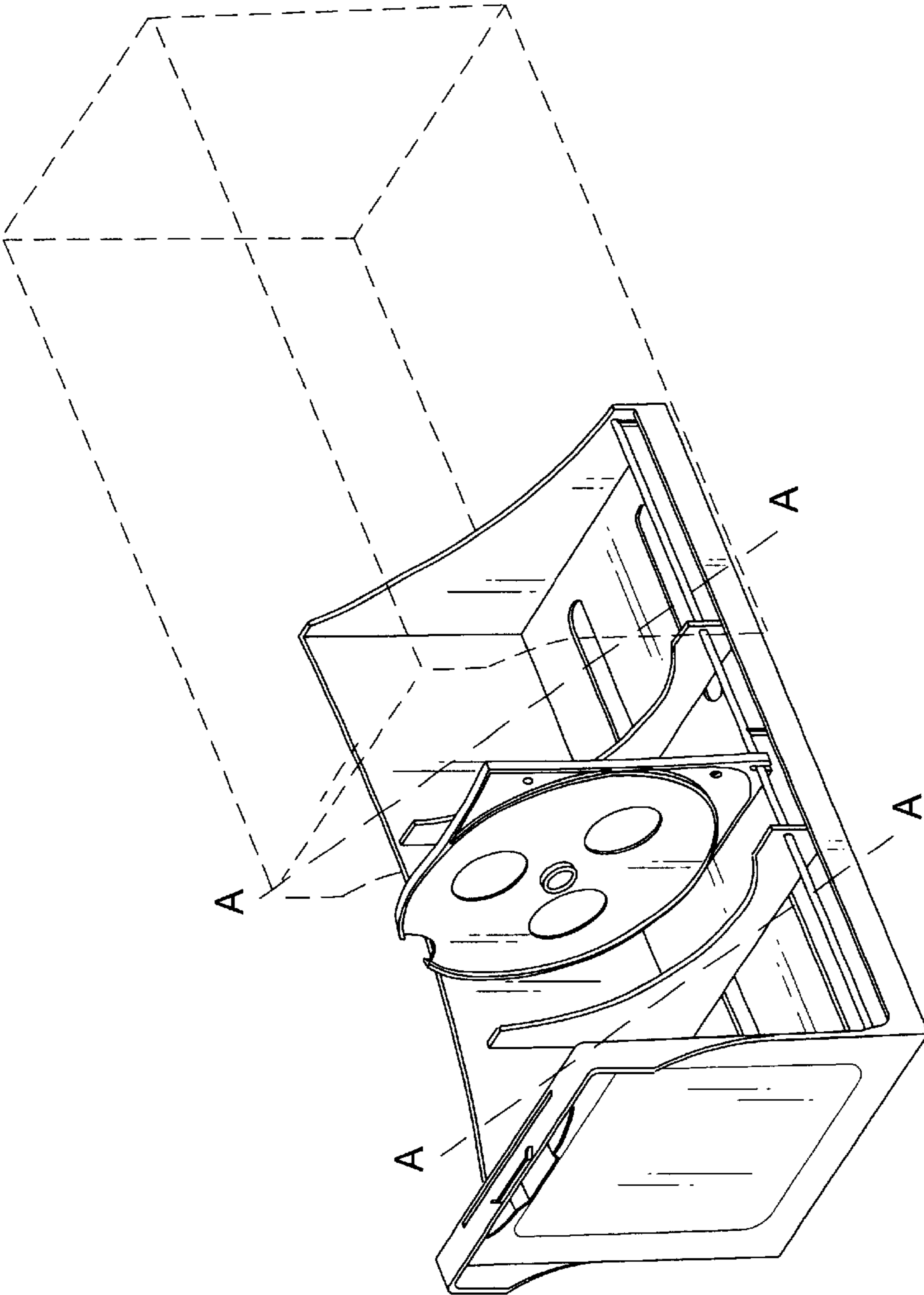


Fig.1

Fig. 2

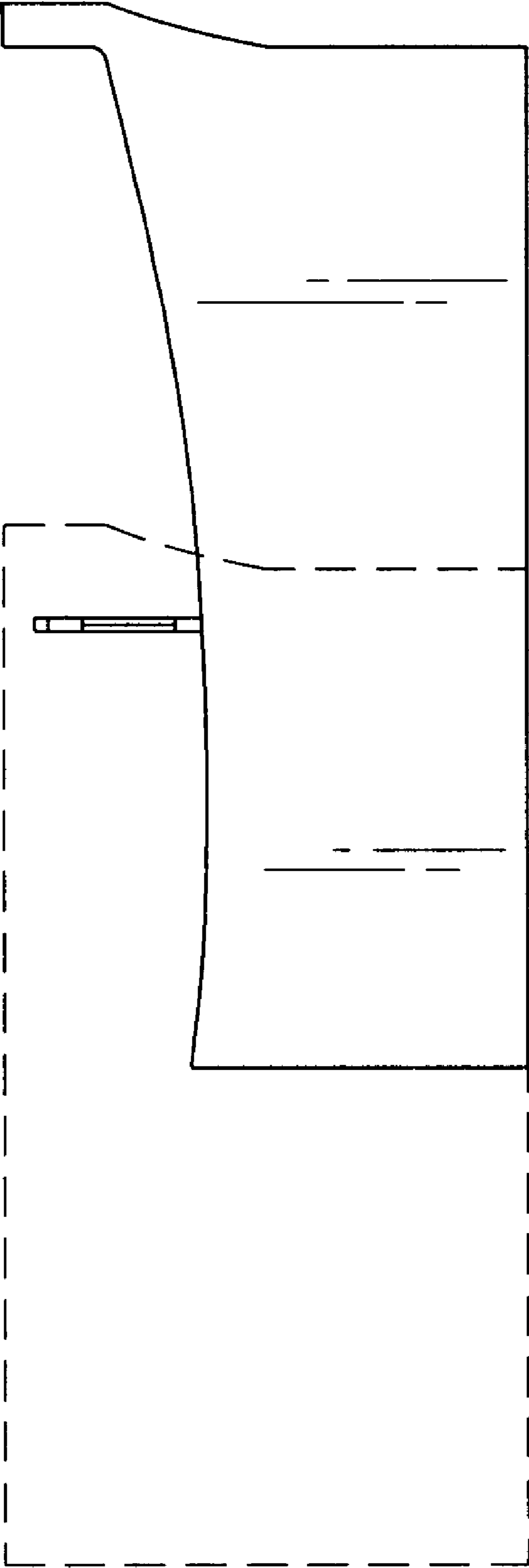


Fig. 3

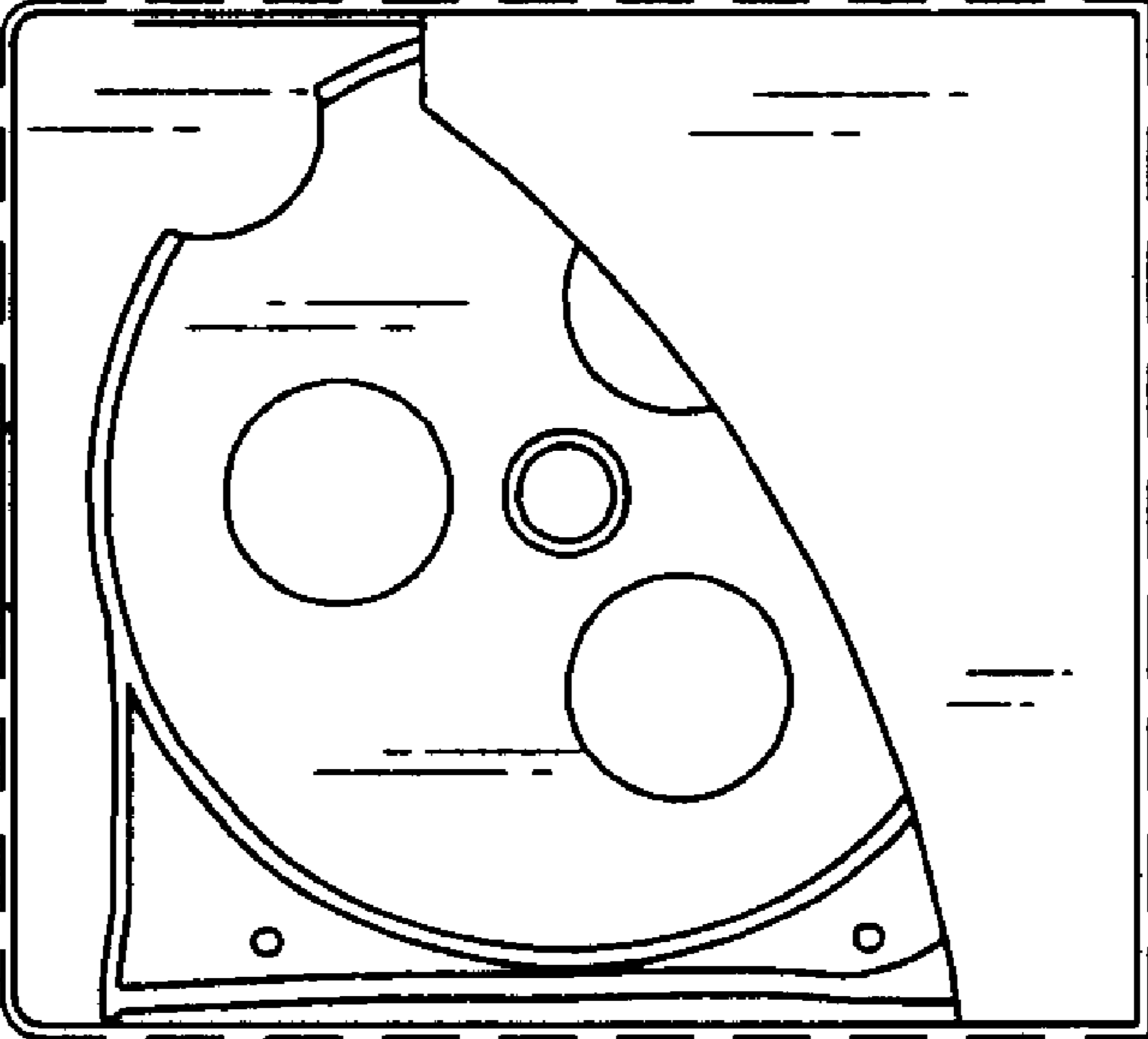


Fig.4

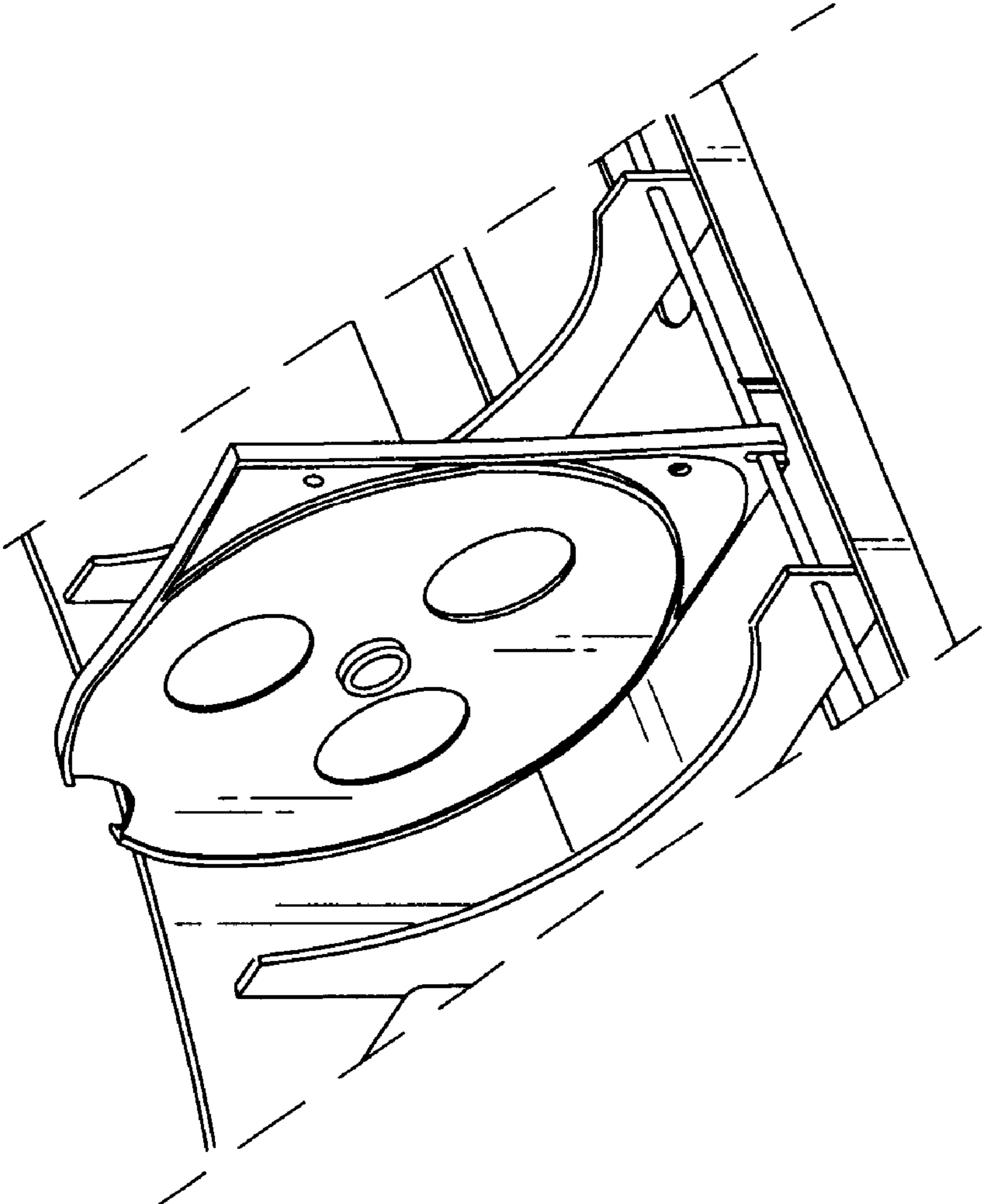


Fig.5

