

US00D516359S

(12) **United States Design Patent** (10) **Patent No.:** **US D516,359 S**  
**Belokin et al.** (45) **Date of Patent:** **\*\* \*Mar. 7, 2006**

(54) **DISPLAY SHELF WITH CURVATURE**

(75) Inventors: **Paul Belokin**, Denton, TX (US);  
**Martin P. Belokin**, Denton, TX (US);  
**Norman P. Belokin**, Corinth, TX (US)

(73) Assignee: **Display by Martin Paul, Inc. - Creative Center**, Denton, TX (US)

(\*) Notice: This patent is subject to a terminal disclaimer.

(\*\*) Term: **14 Years**

(21) Appl. No.: **29/202,179**

(22) Filed: **Mar. 26, 2004**

(51) **LOC (8) Cl.** ..... **06-04**

(52) **U.S. Cl.** ..... **D6/574**

(58) **Field of Classification Search** ..... D6/511,  
D6/567, 553, 574; 211/71, 74, 75, 126.1,  
211/86.01, 88.01, 90.01, 134

See application file for complete search history.

(56) **References Cited**

**U.S. PATENT DOCUMENTS**

30,064 A	9/1860	Andreen
133,923 A	12/1872	Cook
1,069,411 A	8/1913	Greene
1,226,231 A	5/1917	Mack
1,243,059 A	10/1917	Friesleben

(Continued)

**FOREIGN PATENT DOCUMENTS**

IT	552195	11/1956
NL	8100-314	8/1982

**OTHER PUBLICATIONS**

U.S. Patent Application Publication No. US 2003/0116516, published Jun. 26, 2003, entitled *Transportable Display with Tubular Receptacles*, listing inventors Paul Belokin, et al., U.S. Appl. No. 10/352,802, filed Jan. 29, 2003.

U.S. Patent Application Publication No. US 2003/0080078, published May 1, 2003, entitled *Vertical Display of Elongated Products*, listing inventors Paul Belokin et al., U.S. Appl. No. 10/307,746, filed Dec. 2, 2002.

U.S. Patent Application Publication No. US 2003/0222037, published Dec. 4, 2002, entitled *Replaceable Graphic Display*, listing inventors Paul Belokin, et al., U.S. Appl. No. 10/159,935, filed Jun. 3, 2002.

U.S. Patent Application Publication No. US 2003/0209505, published Nov. 13, 2003, entitled *Display Shelf for Stackable Products*, listing inventors Paul Belokin, et al., U.S. Appl. No. 10/144,304, filed May 13, 2002.

U.S. Appl. No. 10/407,989, entitled *Cross-Merchandising Display Shelf*, listing inventors Paul Belokin, et al., filed Apr. 7, 2003.

U.S. Appl. No. 10/407,990, entitled *Display Assembly*, listing inventors Paul Belokin, et al., filed Apr. 7, 2003.

U.S. Patent Application, Serial No. (not assigned); entitled *Vehicle Container*, listing inventors Paul Belokin, et al., filed Jun. 14, 2004.

(Continued)

*Primary Examiner*—Brian N Vinson

(74) *Attorney, Agent, or Firm*—Jack A. Kanz

(57) **CLAIM**

The ornamental design for a display shelf with curvature, as shown and described.

**DESCRIPTION**

FIG. 1 is a front perspective view of the display shelf with curvature showing our new design;

FIG. 2 is a side elevational view thereof, the opposite side view being a mirror image of the view of FIG. 2;

FIG. 3 is a front elevational view thereof;

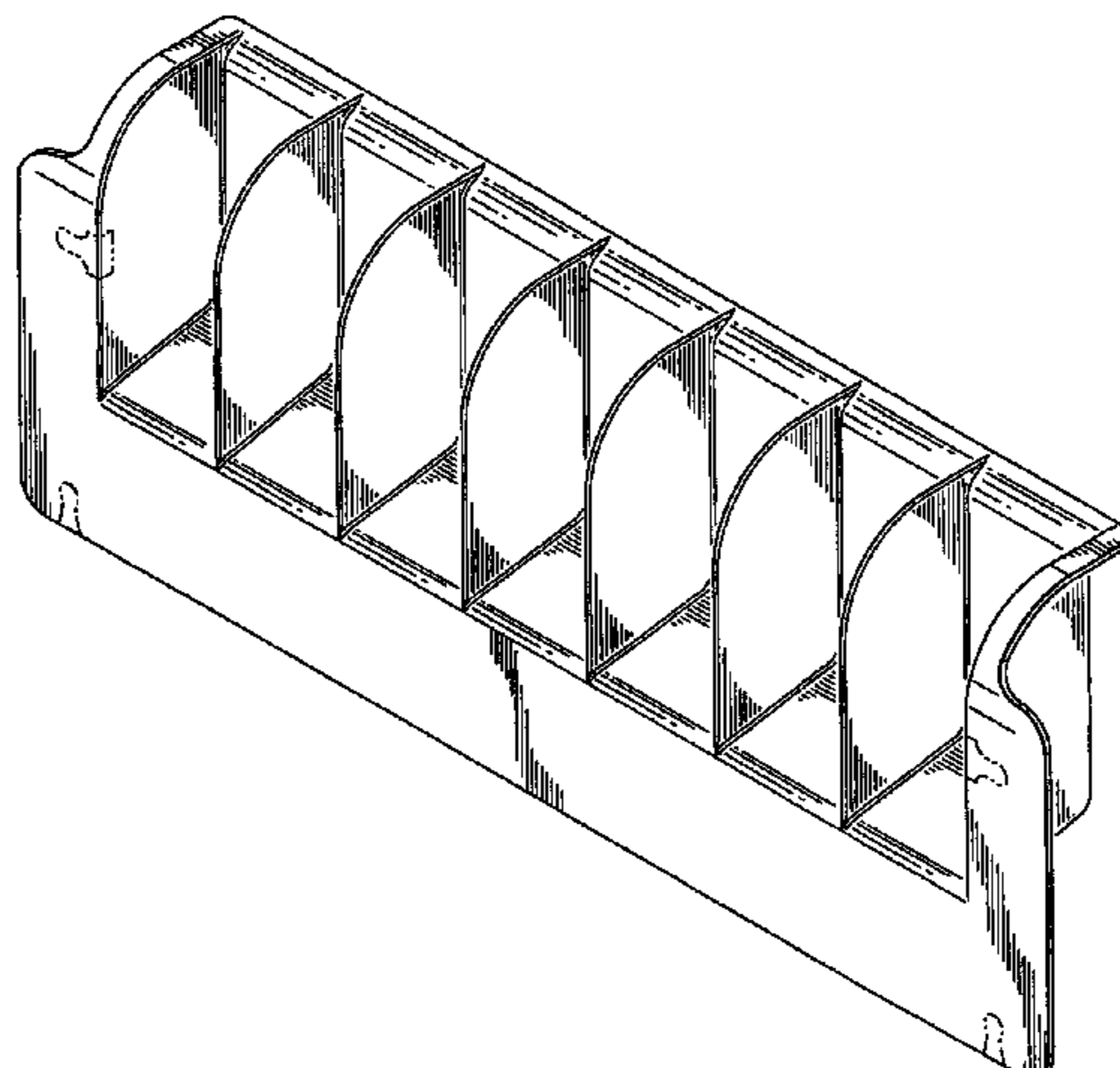
FIG. 4 is a top plan view thereof;

FIG. 5 is a rear elevational view thereof; and,

FIG. 6 is a bottom plan view thereof.

The uneven broken lines are for illustrative purposes only and form no part of the claimed design.

**1 Claim, 3 Drawing Sheets**





# US D516,359 S

## U.S. PATENT DOCUMENTS

1,291,349 A	1/1919	Ackers	3,612,821 A	10/1971	Stromquist	219/218
1,330,684 A	2/1920	Chwala	3,649,069 A	3/1972	Zip	296/97 D
1,331,427 A	2/1920	Frank	D228,737 S	10/1973	Mathews	D8/230
1,518,943 A	12/1924	Story	3,799,467 A	3/1974	Bauman	242/55.2
1,540,285 A	6/1925	Reynolds	3,824,720 A	7/1974	Langwell	40/10
1,610,834 A	12/1926	Webster	D232,282 S	8/1974	Wagschal	D6/114
1,634,953 A	7/1927	McCune et al.	3,863,568 A	2/1975	Frederick	102/13
1,659,777 A	2/1928	Learned	3,901,389 A	8/1975	Belokin, Jr.	211/74
1,715,237 A	5/1929	Huston	3,938,666 A	2/1976	Castleberry	211/49 D
1,738,030 A	12/1929	Bebb	D239,348 S	3/1976	Vrignaud	D6/136
1,739,801 A	12/1929	Pitts	3,984,931 A	10/1976	Belokin, Jr.	40/130 C
1,768,715 A	7/1930	Hopp et al.	D245,140 S	7/1977	Benson	D7/99
1,840,763 A	1/1932	Benchley	D248,128 S	6/1978	Mineo	D2/400
1,847,016 A	2/1932	Metcalfe	4,094,415 A	6/1978	Larson	211/57.1
1,904,456 A	4/1933	Healy	4,099,626 A	7/1978	Magnussen, Jr.	211/60 R
1,933,374 A	10/1933	Haggard	4,106,828 A	8/1978	Belokin, Jr.	312/107
2,004,005 A	6/1935	McDanal	4,108,084 A	8/1978	Fink	108/29
2,028,694 A	1/1936	Spinks	D250,555 S	12/1978	Belokin, Jr.	D96/12 R
2,040,315 A	5/1936	Kress	4,136,474 A	1/1979	Belokin, Jr.	40/559
2,122,336 A	6/1938	Berry	4,155,459 A	5/1979	Marschak	211/49 R
2,123,549 A	7/1938	Williams	4,193,351 A	3/1980	Belokin, Jr.	108/59
2,235,741 A	3/1941	Ford	4,200,346 A	4/1980	Belokin, Jr.	312/351
2,275,299 A	3/1942	Hummert	4,261,294 A	4/1981	Bescherer	119/51 R
2,291,381 A	7/1942	Drake	4,278,176 A	7/1981	Adams	211/74
2,347,423 A	4/1944	McCarty	D261,960 S	11/1981	Mathews	D6/114
D144,450 S	4/1946	Cohen	4,305,512 A	12/1981	Mackenzie	211/75
2,451,194 A	10/1948	Braun	D262,666 S	1/1982	Tager	D3/23
2,453,030 A	11/1948	Newman	4,326,761 A	4/1982	Schwartz	312/326
2,467,873 A	4/1949	Weir	D264,786 S	6/1982	Faas et al.	D6/184
2,472,058 A	6/1949	Artley	4,343,172 A	8/1982	Nordlund	72/339
2,491,652 A	12/1949	Feerick	D267,744 S	1/1983	Flynn	D24/31
2,498,956 A	2/1950	Johnson	4,373,642 A	2/1983	Wolters et al.	220/72
2,508,945 A	5/1950	Heuer	4,376,521 A	3/1983	Walters	248/206 R
2,512,502 A	6/1950	Paschell	4,403,702 A	9/1983	Belokin, Jr.	211/189
2,557,434 A	6/1951	Hoverder	4,442,778 A	4/1984	Lang	108/111
2,568,405 A	9/1951	O'Malley	D275,918 S	10/1984	Taylor	D6/510
2,580,676 A	1/1952	Gross	4,476,983 A	10/1984	Fast	211/57.1
2,593,697 A	4/1952	Reilly	4,479,584 A	10/1984	Raz	211/89
2,595,002 A	4/1952	Schneider	4,480,756 A	11/1984	Belokin, Jr.	211/126
2,647,786 A	4/1953	Locke	4,488,653 A	12/1984	Belokin	211/184
2,647,787 A	8/1953	Locke	4,497,464 A	2/1985	Fast	248/220.3
D171,595 S	3/1954	Harriton	4,499,688 A	2/1985	Droll	47/83
2,711,830 A	6/1955	Howell	4,500,059 A	2/1985	Papizan	248/205.1
2,714,965 A	8/1955	Fitzkee et al.	4,508,303 A	4/1985	Beckerer, Jr.	248/311.2
2,717,717 A	9/1955	Busch	4,546,943 A	10/1985	Fast	248/205.3
2,728,488 A	12/1955	Hankins	4,560,072 A	12/1985	Burrell	211/75
2,741,913 A	4/1956	Dovas	4,576,292 A	3/1986	Percival	211/49.1
2,826,471 A	3/1958	Fonda	4,607,875 A	8/1986	McGirr	296/97 D
2,852,030 A	9/1958	Nord	4,608,773 A	9/1986	White	40/606
2,916,161 A	12/1959	Schaefer	4,618,115 A	10/1986	Belokin, Jr.	248/174
2,947,422 A	8/1960	Sudbery	4,630,740 A	12/1986	Belokin, Jr.	211/194
2,974,804 A	3/1961	Maro	D290,564 S	6/1987	Belokin, Jr.	D6/474
3,059,952 A	10/1962	Wittman et al.	D291,176 S	8/1987	Sokol	D8/380
3,139,258 A	6/1964	Handler et al.	4,687,094 A	8/1987	Allsop et al.	206/44 R
3,182,809 A	5/1965	Getoor	4,706,917 A	11/1987	Thalenfeld	248/205.1
3,187,902 A	6/1965	Nelson	4,713,899 A	12/1987	Fast	40/10 R
3,220,558 A	11/1965	Olsson	D294,442 S	3/1988	Bordian	D6/528
3,228,737 A	1/1966	Kipnis	4,763,796 A	8/1988	Flum	211/59.2
3,239,069 A	3/1966	Hollins	4,765,495 A	8/1988	Bisk	211/113
3,252,678 A	5/1966	Myers et al.	4,782,959 A	11/1988	Kral et al.	211/59.2
3,268,282 A	8/1966	Harvey	4,830,198 A	5/1989	Colquitt	211/706
3,300,055 A	1/1967	Rohr	4,854,246 A	8/1989	Belokin et al.	108/111
3,342,343 A	9/1967	Youlden	4,872,568 A	10/1989	Lehmann	211/113
3,344,974 A	10/1967	Bostrom	4,901,872 A	2/1990	Lang	211/133
3,407,939 A	10/1968	Villar-Kelly	4,909,397 A	3/1990	Huber	211/46
3,433,548 A	3/1969	Moore	4,918,848 A	4/1990	Stein	40/584
3,449,848 A	6/1969	Howell	4,928,833 A	5/1990	Huizenga	211/187
3,465,763 A	9/1969	Hoffman	D309,687 S	8/1990	Embree et al.	D6/567
3,469,711 A	9/1969	Swaneck et al.	D310,245 S	8/1990	von Canal	D20/21
D216,938 S	3/1970	Nestegard	D310,748 S	9/1990	Embree et al.	D34/40
			4,961,506 A	10/1990	Lang	211/188



# US D516,359 S

Page 3

D312,959 S	12/1990	Hamann .....	D8/367	5,722,625 A	3/1998	Kenney .....	248/220.41
4,984,693 A	1/1991	Belokin, Jr. et al. ....	211/88	D393,767 S	4/1998	Belokin et al. ....	D6/514
D316,790 S	5/1991	Robbins et al. ....	D6/574	5,749,479 A	5/1998	Belokin et al. ....	211/113
5,014,860 A	5/1991	Emery .....	211/106	D394,775 S	6/1998	Anderson et al. ....	D6/574
5,031,778 A	7/1991	Edgecombe .....	211/13	D395,777 S	7/1998	Belokin et al. ....	D6/567
D318,962 S	8/1991	Price, Jr. et al. ....	D6/407	D395,972 S	7/1998	Levy .....	D6/515
5,039,045 A	8/1991	Adams et al. ....	248/206.2	D398,180 S	9/1998	Winter et al. ....	D6/574
5,039,046 A	8/1991	Brewster .....	248/206.3	D400,384 S	11/1998	Belokin et al. ....	D6/574
5,046,274 A	9/1991	David .....	40/604	D402,838 S	12/1998	Sherbet .....	D6/515
5,060,897 A	10/1991	Thalendorf .....	248/220.4	5,850,917 A	12/1998	Denton et al. ....	206/366
D322,361 S	12/1991	Goodman et al. ....	D6/323	D407,295 S	3/1999	Belokin et al. ....	D8/349
D323,766 S	2/1992	Robbins et al. ....	D7/590	5,875,902 A	3/1999	Emery et al. ....	211/90.03
5,087,005 A	2/1992	Holoff et al. ....	248/205.8	5,880,713 A	3/1999	Belardinelli .....	345/156
5,088,606 A	2/1992	Boas .....	211/571	D409,035 S	5/1999	Belokin et al. ....	D6/574
5,096,272 A	3/1992	Belokin, Jr. et al. ....	312/129	5,901,386 A	5/1999	Bragalone .....	4/496
RE33,913 E	5/1992	Kral et al. ....	211/59.2	D410,359 S	6/1999	Belokin et al. ....	D6/574
D327,197 S	6/1992	Belokin, Jr. et al. ....	D6/567	D410,969 S	6/1999	Sexton et al. ....	D20/43
5,141,115 A	8/1992	Nicoll .....	211/55	5,913,433 A	6/1999	Belokin et al. ....	211/90.01
5,154,304 A	10/1992	McAuley .....	211/59.1	5,927,840 A	7/1999	Bzowski .....	312/321.5
5,165,947 A	11/1992	Colucci et al. ....	426/124	D412,421 S	8/1999	Belokin et al. ....	D6/574
5,176,346 A	1/1993	Liu .....	248/206.1	D413,036 S	8/1999	Belokin et al. ....	D6/574
5,181,777 A	1/1993	Segill et al. ....	362/405	D413,473 S	9/1999	Belokin et al. ....	D6/574
5,183,166 A	2/1993	Belokin, Jr. et al. ....	211/149	D413,474 S	9/1999	Belokin et al. ....	D6/574
5,232,103 A	8/1993	Koenig et al. ....	211/69.5	5,964,437 A	10/1999	Belokin et al. ....	248/205.5
D340,607 S	10/1993	Hubbard .....	D6/567	D420,567 S	2/2000	Laga et al. ....	D8/373
5,263,760 A	11/1993	Sohol .....	296/97.7	D420,798 S	2/2000	Belokin et al. ....	D3/304
D347,538 S	6/1994	Fleischer .....	D6/567	6,029,827 A	2/2000	Valiulis .....	211/59.1
5,330,261 A	7/1994	Bennett .....	312/321.5	6,082,687 A	7/2000	Kump et al. ....	248/220.41
5,339,967 A	8/1994	Valiulis .....	211/57.1	RE36,827 E	8/2000	Belokin et al. ....	211/75
D351,524 S	10/1994	Belokin, Jr. ....	D6/570	D429,436 S	8/2000	Belokin et al. ....	D6/570
5,351,841 A	10/1994	Belokin et al. ....	211/88	D430,766 S	9/2000	Sorensen et al. ....	D6/574
5,358,128 A	10/1994	Belokin et al. ....	211/75	6,119,990 A	9/2000	Kump et al. ....	248/220.22
D353,294 S	12/1994	Belokin et al. ....	D6/567	D434,080 S	11/2000	Belokin et al. ....	D20/10
5,373,939 A	12/1994	Bloomgren .....	206/341	D435,382 S	12/2000	Sorensen et al. ....	D6/574
D354,646 S	1/1995	Weinstein .....	D6/567	6,189,248 B1	2/2001	Nagel et al. ....	40/661.03
5,381,990 A	1/1995	Belokin et al. ....	248/205.9	6,220,437 B1	4/2001	Knoy, Jr. et al. ....	206/454
5,390,837 A	2/1995	Ruffolo, Jr. ....	224/42.45 R	6,289,618 B1	9/2001	Kump et al. ....	40/657
D357,219 S	4/1995	Ferris .....	D11/156	6,341,755 B1	1/2002	Kump .....	248/220.41
5,409,667 A	4/1995	Elson .....	422/104	D454,055 S	3/2002	Belokin et al. ....	D8/373
5,415,297 A	5/1995	Klein et al. ....	211/40	6,354,546 B1	3/2002	Mueller .....	248/220.42
5,447,243 A	9/1995	Graber .....	211/69.5	6,446,374 B1	9/2002	Ardiff .....	40/593
5,464,103 A	11/1995	O'Brien .....	211/133	6,532,691 B1	3/2003	Carlin et al. ....	40/491
5,486,044 A	1/1996	Bennett .....	312/321.5	6,571,967 B1	6/2003	Belokin et al. ....	211/71.01
5,511,752 A	4/1996	Trethewey .....	248/205.9	6,581,314 B1	6/2003	Valiulis .....	40/642.01
D370,806 S	6/1996	Sklovsky .....	D6/510	6,588,606 B1	7/2003	Miller, Jr. et al. ....	211/88.01
5,524,980 A	6/1996	Carter et al. ....	312/351	6,622,875 B1	9/2003	Humphrey .....	211/85.14
5,544,764 A	8/1996	Cima .....	211/60.1	6,698,124 B1	3/2004	Kump et al. ....	40/642.02
5,547,088 A	8/1996	Belokin et al. ....	211/87	D488,017 S	4/2004	Belokin et al. ....	D6/574
D375,861 S	11/1996	Belokin, Jr. ....	D6/570				
D378,254 S	3/1997	Markson .....	D6/449				
5,615,782 A	4/1997	Choe .....	211/70.6				
5,651,520 A	7/1997	Belokin et al. ....	248/205.9				
5,655,671 A	8/1997	Barry et al. ....	211/70				
5,655,673 A	8/1997	Weterrings et al. ....	211/75				
5,664,689 A	9/1997	Mirlisena, Sr. ....	211/88.01				
5,678,699 A	10/1997	Gebka .....	211/57.1				
5,678,795 A	10/1997	Henry et al. ....	248/220.41				
D386,214 S	11/1997	Belokin et al. ....	D20/42				
5,683,003 A	11/1997	Gebka .....	211/57.1				
D387,981 S	12/1997	Mosior et al. ....	D9/418				
5,711,501 A	1/1998	Belokin et al. ....	248/205.9				
5,718,343 A	2/1998	Belokin et al. ....	211/188				
D392,144 S	3/1998	Vogler .....	D6/574				

## OTHER PUBLICATIONS

U.S. Appl. No. 60/556,732, entitled *Display Shelf With Curvature*, listing inventors Paul Belokin, et al., filed Mar. 26, 2004.

U.S. Patent Application Publication No. US 2002/0148795 A1, published Oct. 17, 2002, entitled "Product Merchandising Assembly"; Inventor: Donald J. Miller, Jr., et al.; U.S. Appl. No. 09/953,598 filed Sep. 17, 2001.

U.S. Patent Application Publication No. US 2004/0055981 A1, published Mar. 25, 2001, entitled "Glorifier"; Inventor: Desmond M. Walsh et al.; U.S. Appl. No. 10/422,274 filed Apr. 24, 2003.

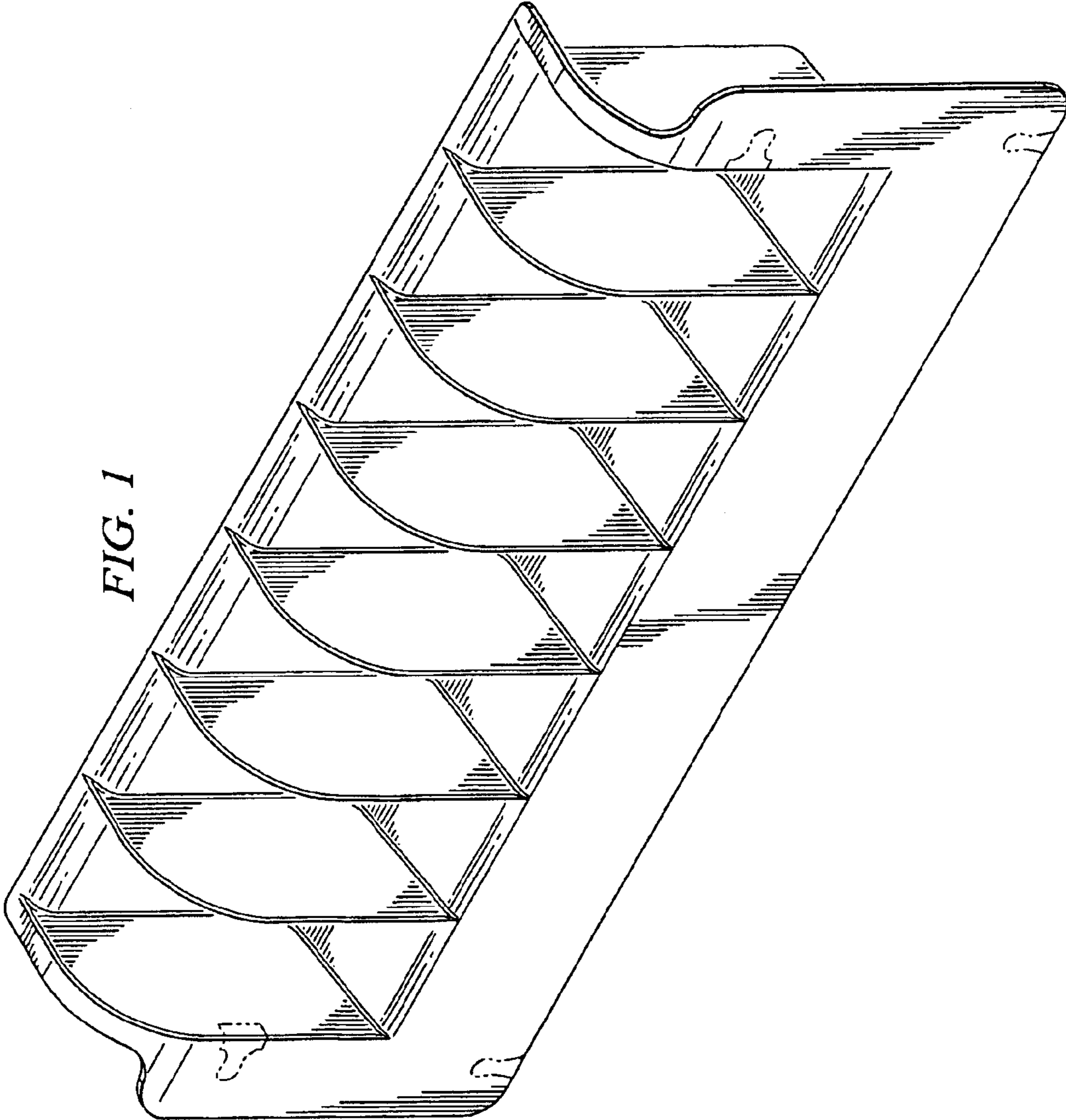
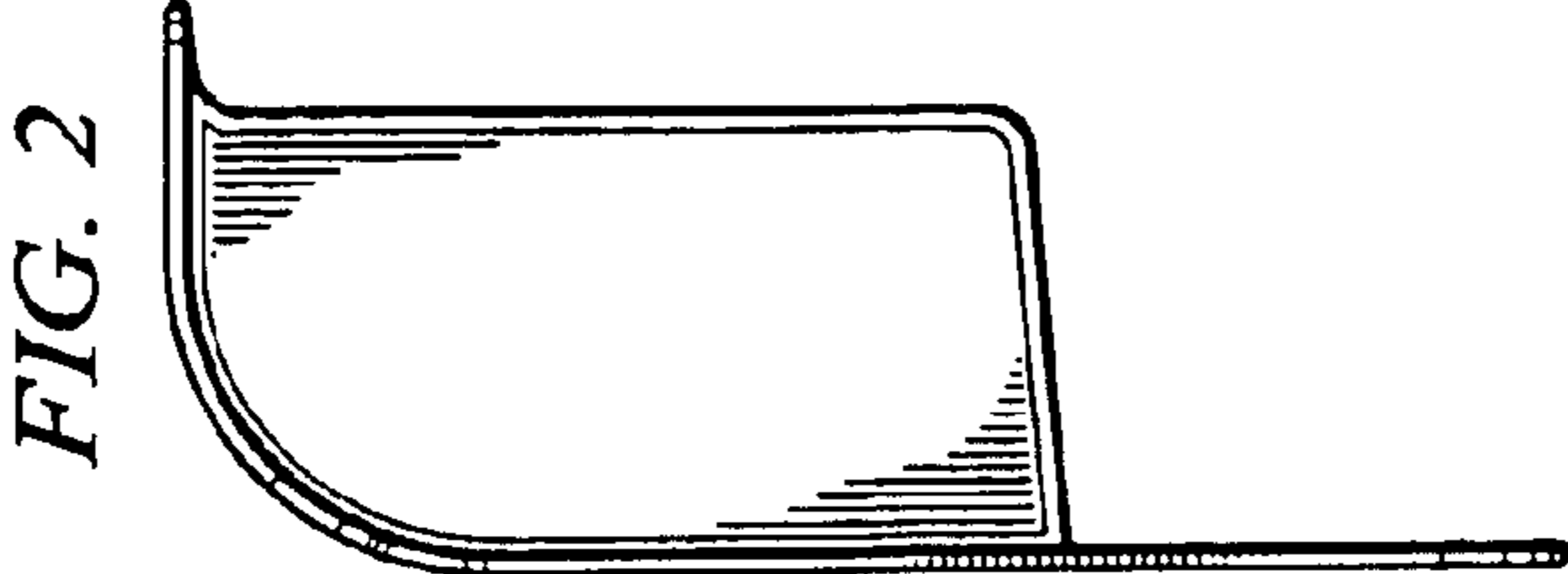


FIG. 3

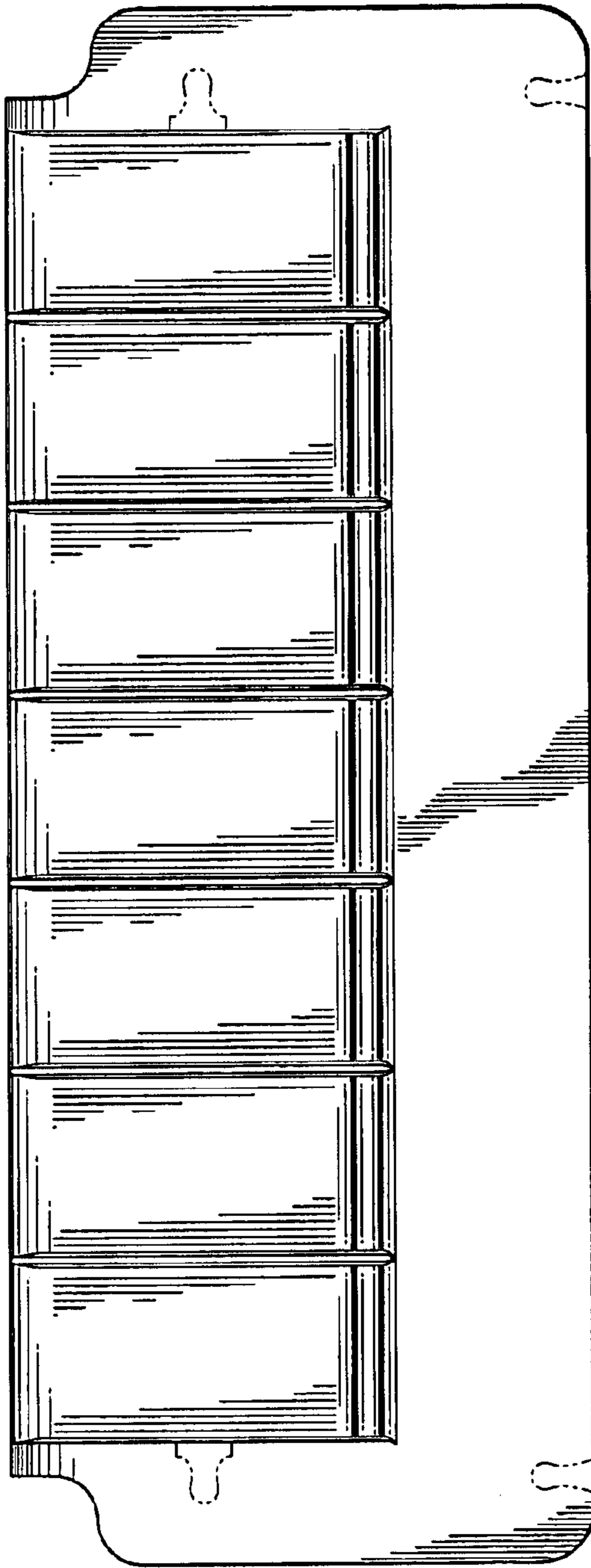


FIG. 4

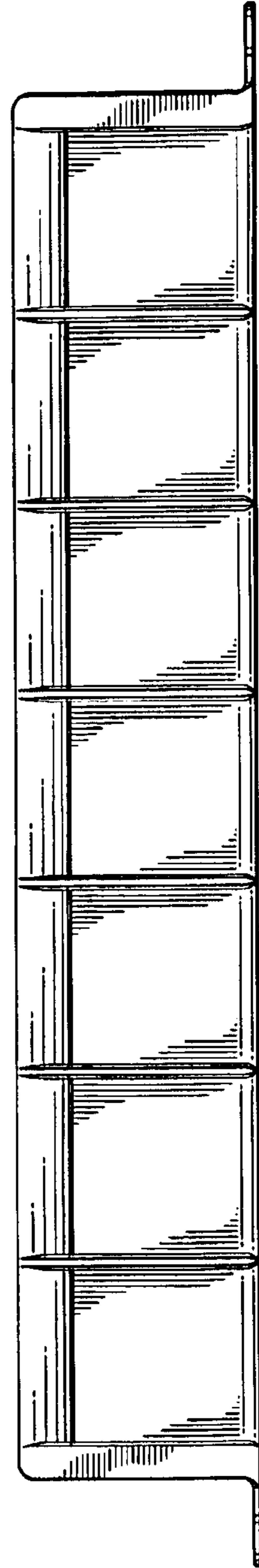




FIG. 5

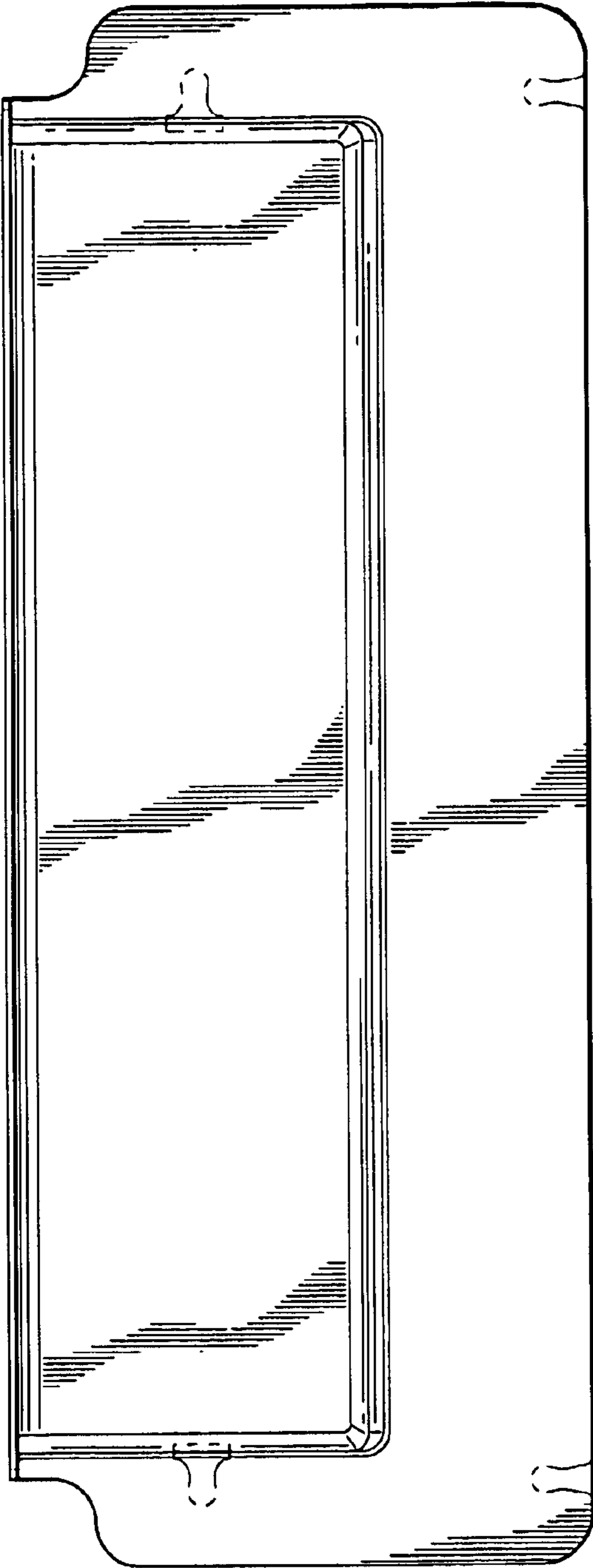


FIG. 6

