



US00D516357S

(12) **United States Design Patent**
Gilbert et al.

(10) **Patent No.:** **US D516,357 S**
(45) **Date of Patent:** **** Mar. 7, 2006**

(54) **POST**
(75) Inventors: **Christopher Jon Gilbert**, Moreland Hills, OH (US); **Jennifer Sedwick**, Lakewood, OH (US)
(73) Assignee: **Moen Incorporated**, North Olmsted, OH (US)
(**) **Term:** **14 Years**
(21) Appl. No.: **29/224,149**
(22) Filed: **Feb. 25, 2005**
(51) **LOC (8) Cl.** **06-04**
(52) **U.S. Cl.** **D6/550**
(58) **Field of Classification Search** D6/546-550, D6/518-523; D8/300, 303, 315-321, 349, D8/354, 363, 373, 380; 108/28-29; 248/175, 248/176.1, 251, 302, 309.1; 16/110.1, 412, 16/415; 242/570, 590, 595-598; 211/13.1, 211/16, 60.1, 100, 86.01, 87.01, 88.01, 88.04, 211/105.1-105.2, 123, 182, 181.1
See application file for complete search history.

D429,998 S 8/2000 Snell
D452,100 S 12/2001 Gilbert
D463,936 S * 10/2002 Chen D6/550
D463,938 S * 10/2002 Lee Wang D6/550
D472,417 S 4/2003 Hunt
D477,486 S 7/2003 Green
D477,740 S 7/2003 Gilbert
D477,953 S 8/2003 Gilbert
D494,052 S * 8/2004 Winter et al. D6/550
D501,746 S * 2/2005 Gilbert D6/550
D504,043 S * 4/2005 Kennard D6/550

* cited by examiner

Primary Examiner—Brian N Vinson
(74) *Attorney, Agent, or Firm*—Calfee, Halter & Griswold LLP

(57) **CLAIM**

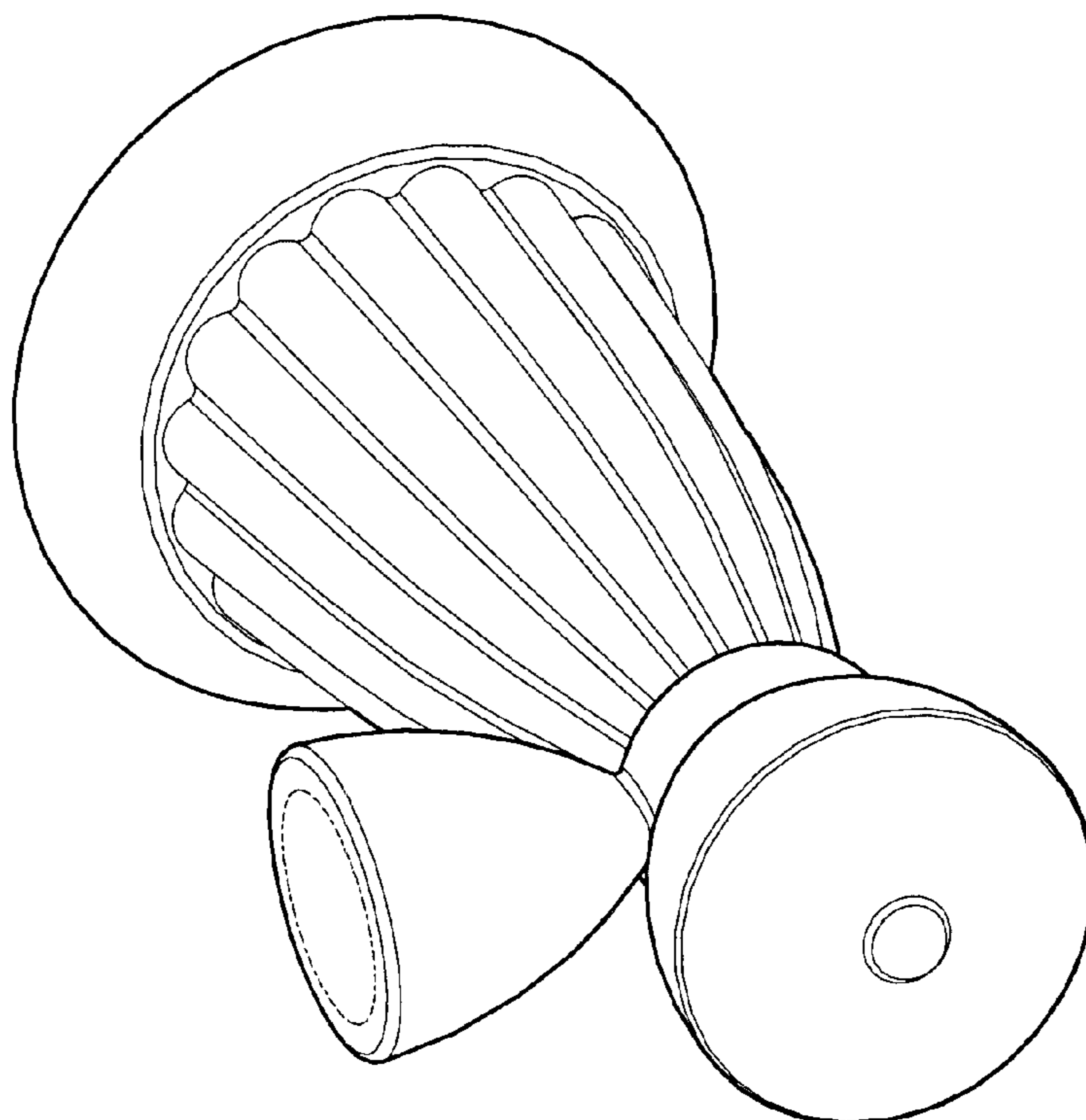
The ornamental design for a post, as shown and described.

DESCRIPTION

FIG. 1 is a perspective view of a post of the new design; FIG. 2 is a front elevational view of the post of FIG. 1; FIG. 3 is a rear elevational view of the post of FIG. 1; FIG. 4 is a left side elevational view of the post of FIG. 1; FIG. 5 is a right side elevational view of the post of FIG. 1; FIG. 6 is a top plan view of the post of FIG. 1; and, FIG. 7 is a bottom plan view of the post of FIG. 1 .
The portions of the Figures shown in broken lines are not part of the claimed design but are for illustration only.

1 Claim, 4 Drawing Sheets

(56) **References Cited**
U.S. PATENT DOCUMENTS
D79,774 S 10/1929 Warner et al.
D286,963 S 12/1986 Waghorn
5,875,903 A 3/1999 Chen
D407,931 S * 4/1999 Sweetman D6/524



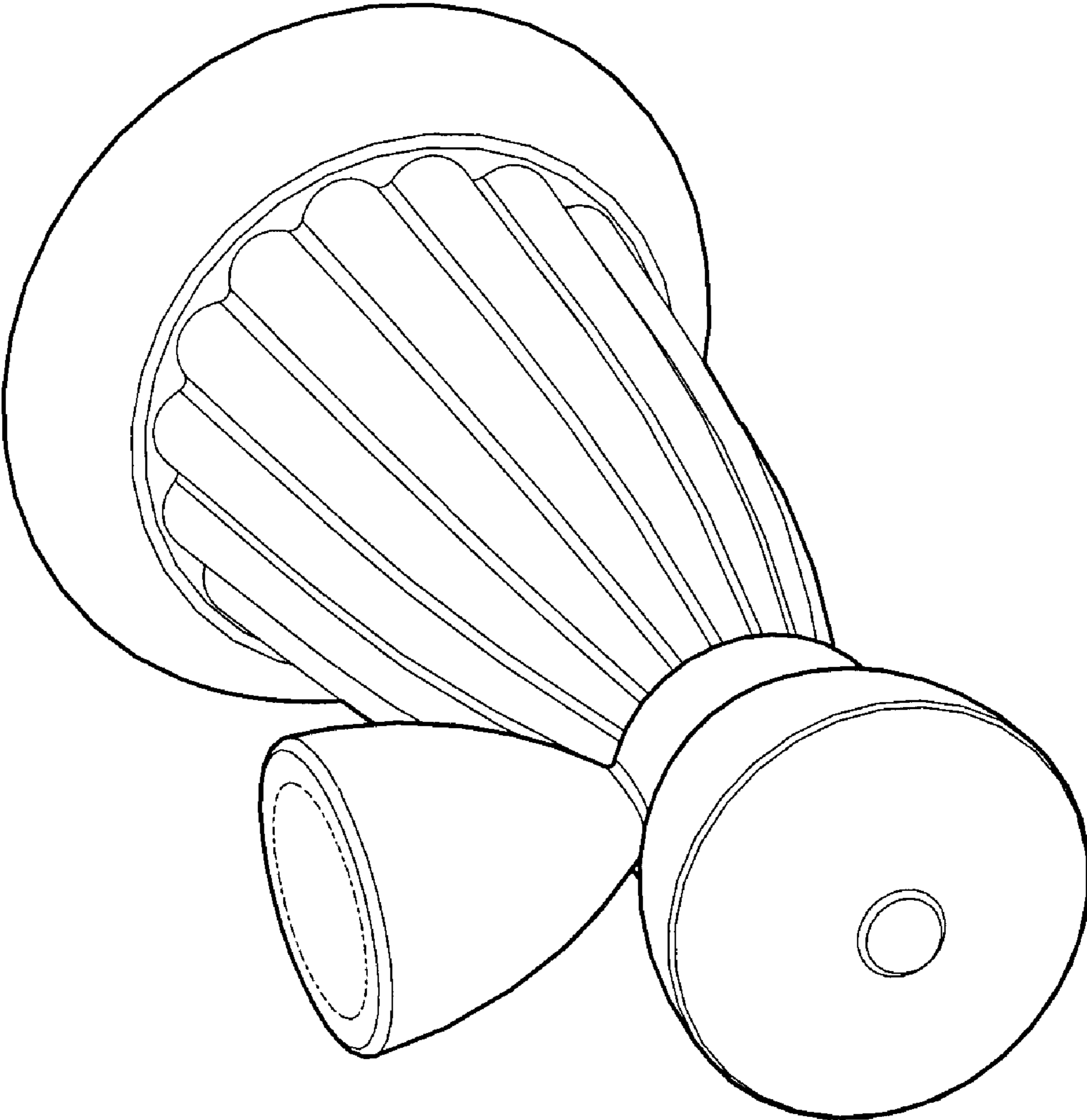


FIG. 1

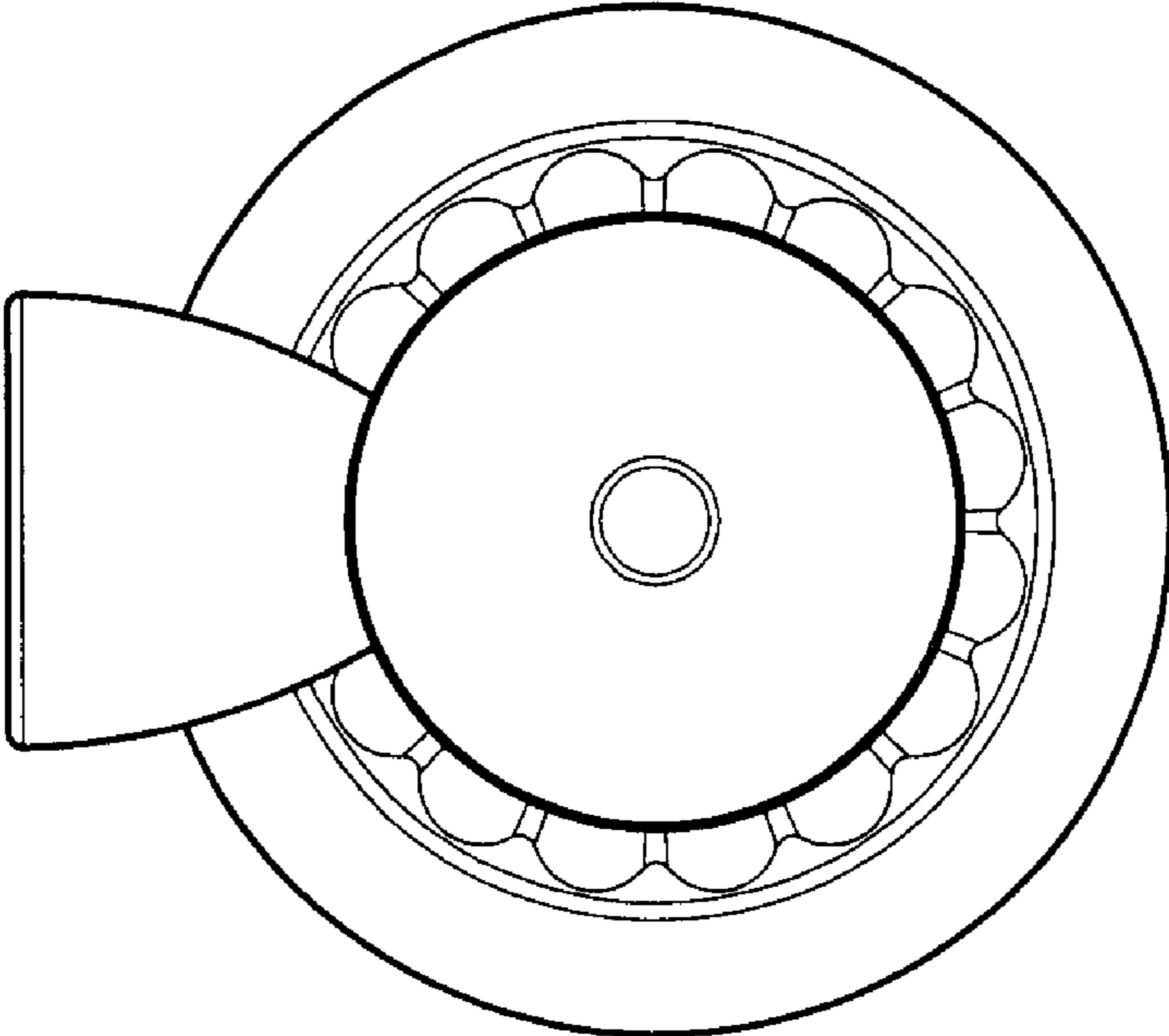


FIG. 2

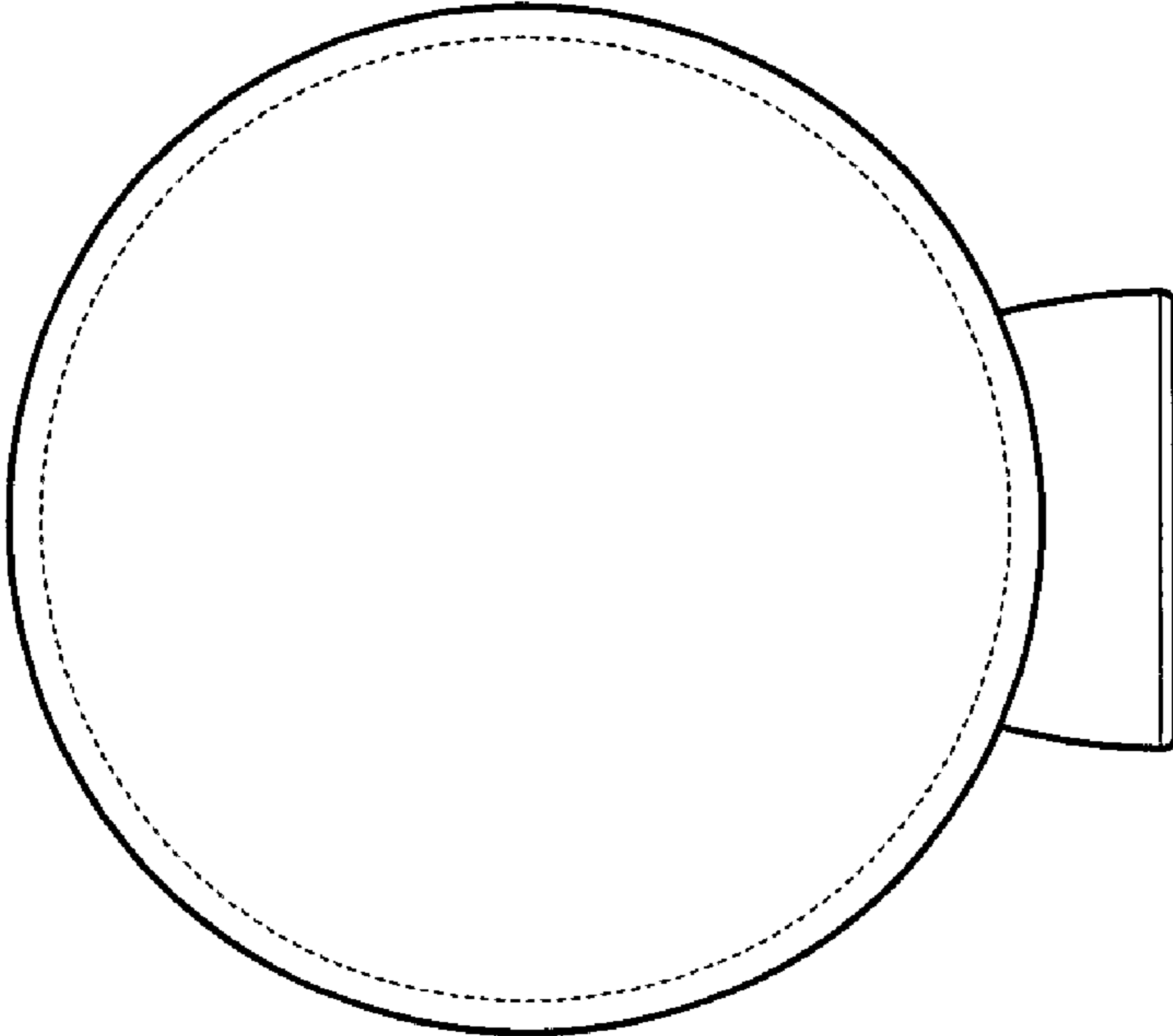


FIG. 3

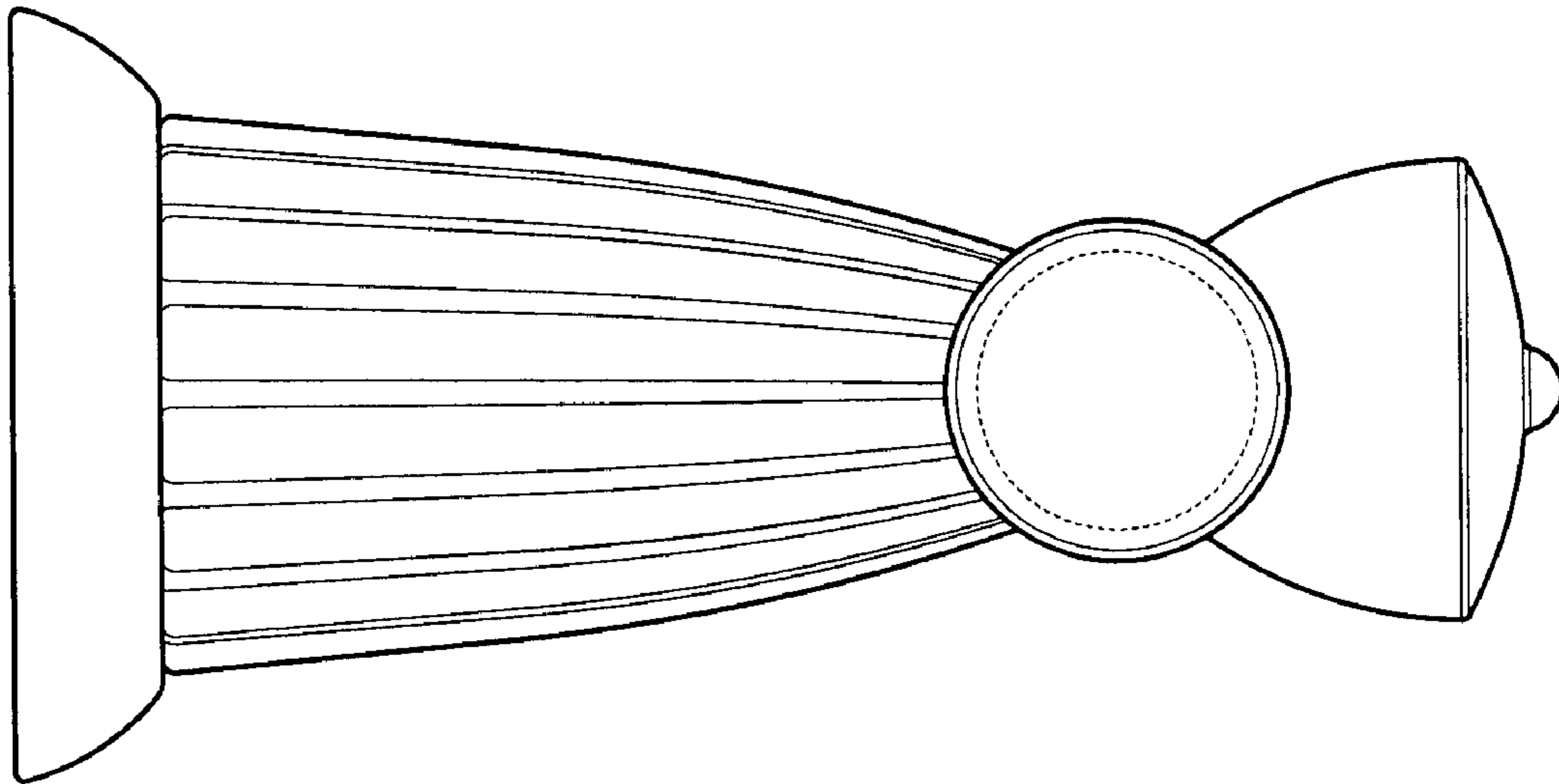


FIG. 4

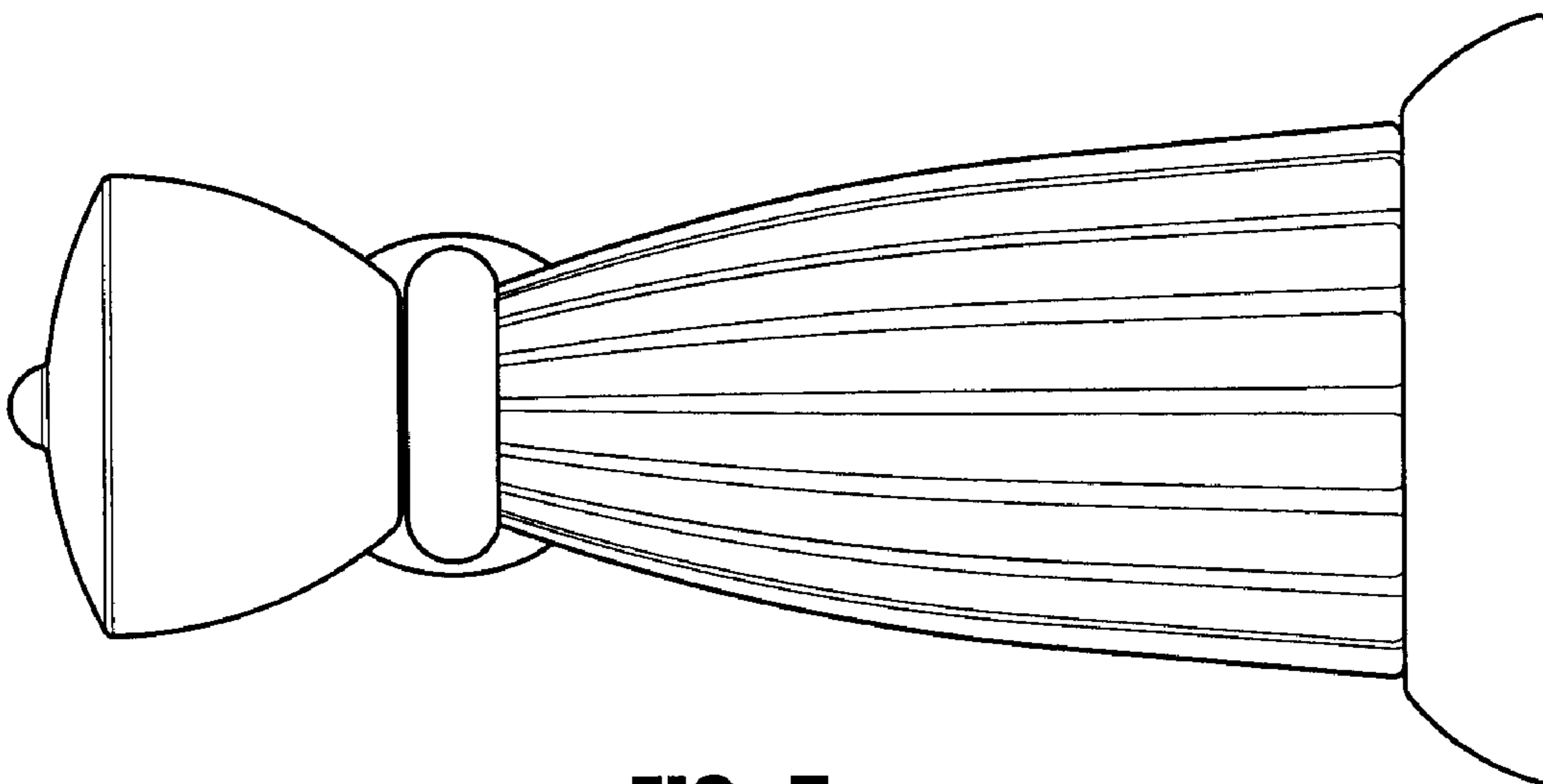


FIG. 5

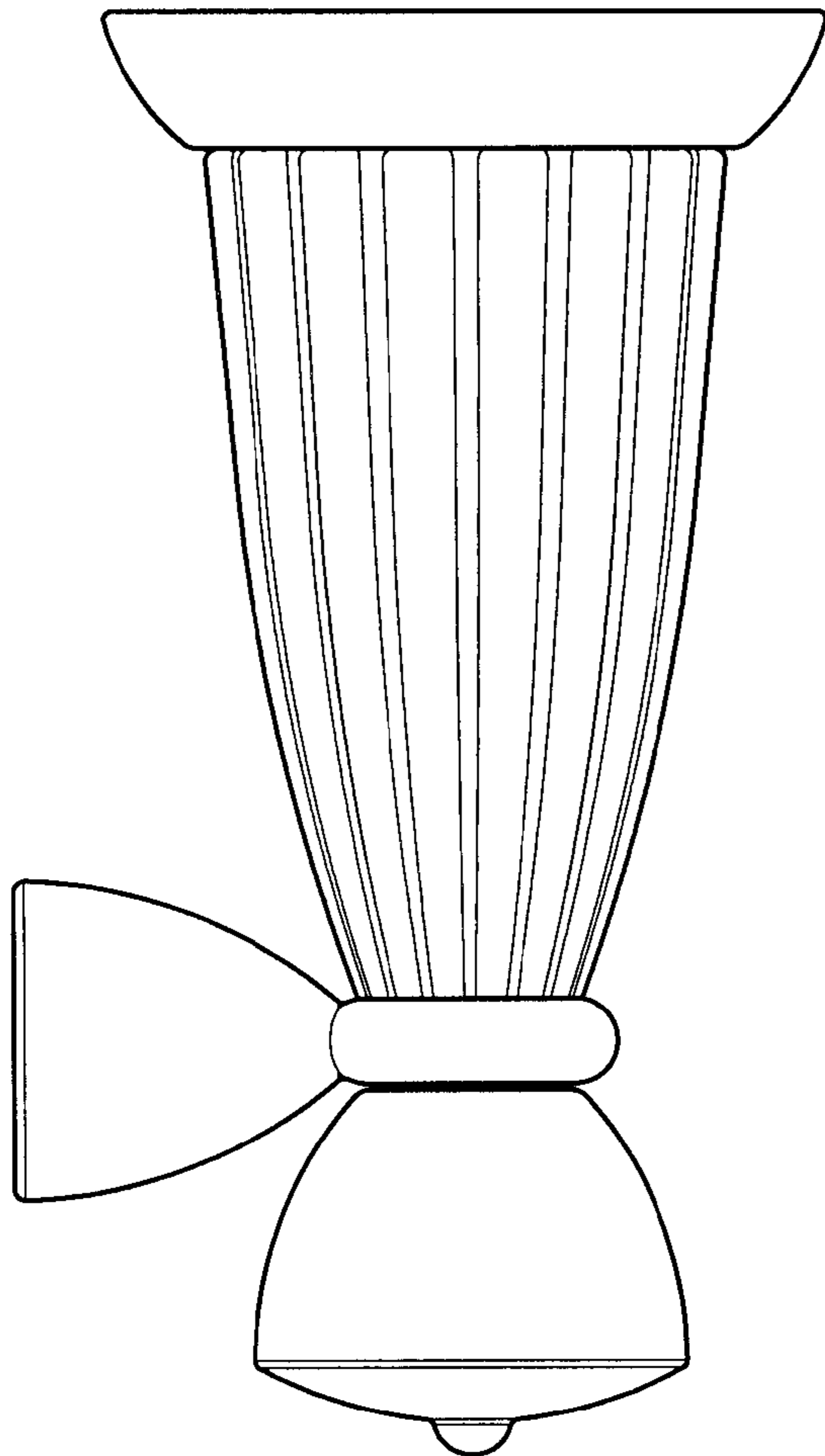


FIG. 6

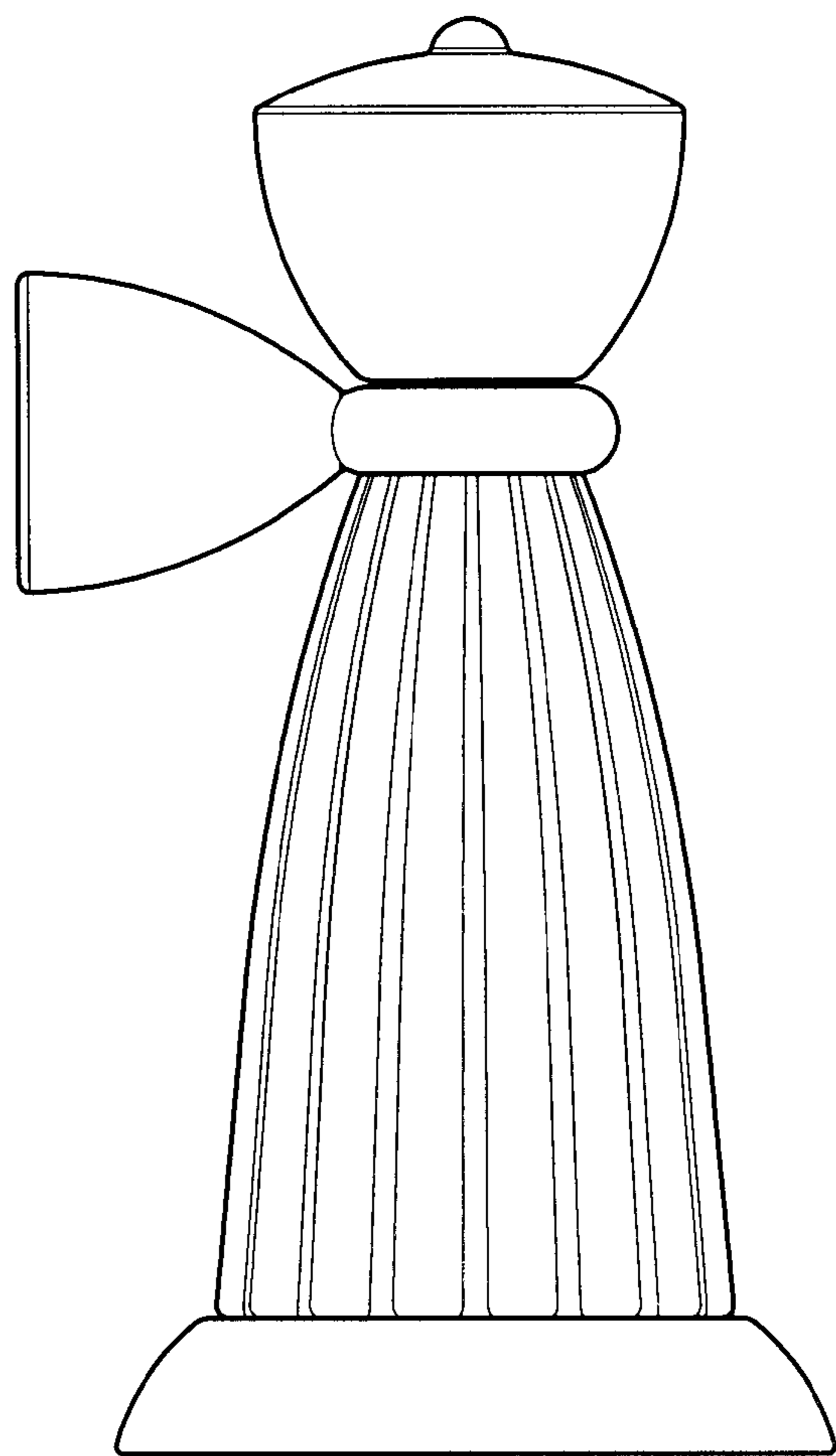


FIG. 7