



US00D516355S

(12) **United States Design Patent**
Sedwick

(10) **Patent No.:** **US D516,355 S**
(45) **Date of Patent:** **** Mar. 7, 2006**

(54) **POST**
(75) **Inventor:** **Jennifer Sedwick**, Lakewood, OH (US)
(73) **Assignee:** **Moen Incorporated**, North Olmsted, OH (US)
(**) **Term:** **14 Years**
(21) **Appl. No.:** **29/223,617**
(22) **Filed:** **Feb. 16, 2005**
(51) **LOC (8) Cl.** **06-04**
(52) **U.S. Cl.** **D6/550**
(58) **Field of Classification Search** D6/546-550, D6/518-523; D8/300, 303, 315-321, 349, D8/354, 363, 373, 380; 108/28-29; 248/175, 248/176.1, 251, 302, 309.1; 16/110.1, 412, 16/415; 242/570, 590, 595-598; 211/13.1, 211/16, 60.1, 100, 86.01, 87.01, 88.01, 88.04, 211/105.1-105.2, 123, 182, 181.1
See application file for complete search history.

D417,995 S * 12/1999 Chen D6/550
D424,352 S 5/2000 Roth et al.
D432,840 S 10/2000 Solowiej
D436,775 S 1/2001 Ming-Hsiao
D448,272 S 9/2001 Miller
D449,949 S * 11/2001 Hsieh D6/524
D454,744 S 3/2002 Ou-Young
D463,935 S 10/2002 Zhao
D466,346 S 12/2002 Moore
D466,348 S * 12/2002 Yen D6/550
D466,735 S 12/2002 Moore
D466,741 S 12/2002 Moore
D466,745 S * 12/2002 Chou D6/550
D469,644 S * 2/2003 Yen D6/550
D472,417 S 4/2003 Hunt
D477,486 S * 7/2003 Green D6/550
D477,952 S 8/2003 Gilbert
D483,585 S 12/2003 Chen
D494,396 S 8/2004 Veltz et al.
D504,042 S * 4/2005 Wu D6/550

* cited by examiner

Primary Examiner—Brian N Vinson
(74) *Attorney, Agent, or Firm*—Calfee, Halter & Griswold LLP

(56) **References Cited**

U.S. PATENT DOCUMENTS

1,117,771 A 11/1914 Boehm
1,249,955 A 12/1917 Hendrickson et al.
1,276,463 A 8/1918 Wells
1,280,244 A 10/1918 Kroedel
D55,354 S 6/1920 Baker
2,542,941 A 2/1951 Post
D219,906 S 2/1971 Lambertz
D274,035 S 5/1984 Pawlow
D286,963 S 12/1986 Waghorn
5,186,427 A 2/1993 Semchuck
D357,379 S 4/1995 Lehn et al.
D361,006 S 8/1995 Sharpe
D362,361 S 9/1995 Lehn et al.
D392,139 S 3/1998 Wu
5,875,903 A 3/1999 Chen

(57) **CLAIM**

The ornamental design for a post, as shown and described.

DESCRIPTION

FIG. 1 is a perspective view of a post of the new design; FIG. 2 is a front elevational view of the post of FIG. 1; FIG. 3 is a rear elevational view of the post of FIG. 1; FIG. 4 is a left side elevational view of the post of FIG. 1; FIG. 5 is a right side elevational view of the post of FIG. 1; FIG. 6 is a top plan view of the post of FIG. 1; and, FIG. 7 is a bottom plan view of the post of FIG. 1. The portions of the Figures shown in broken lines are not part of the claimed design but are for illustration only.

1 Claim, 2 Drawing Sheets

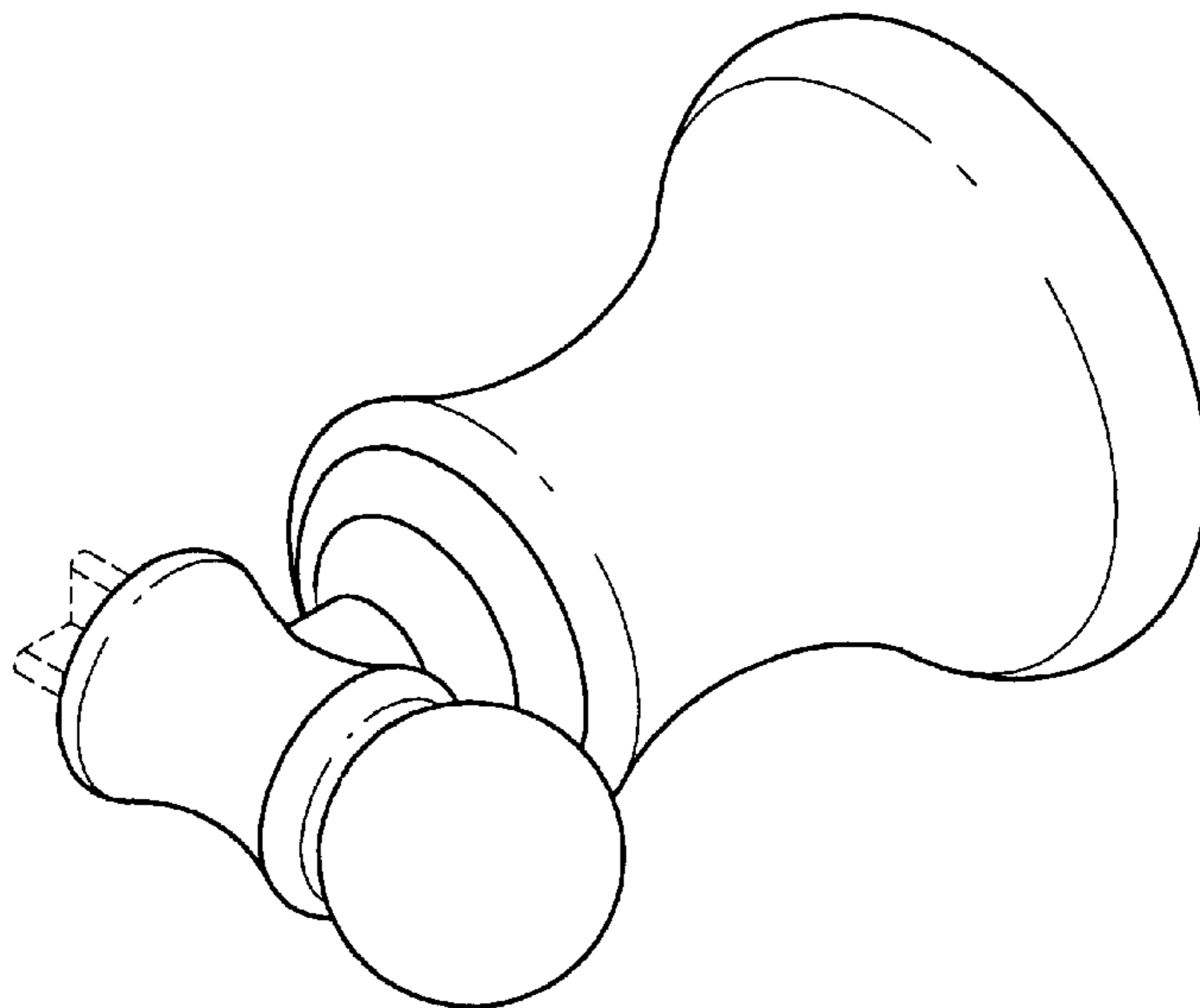


FIG. 1

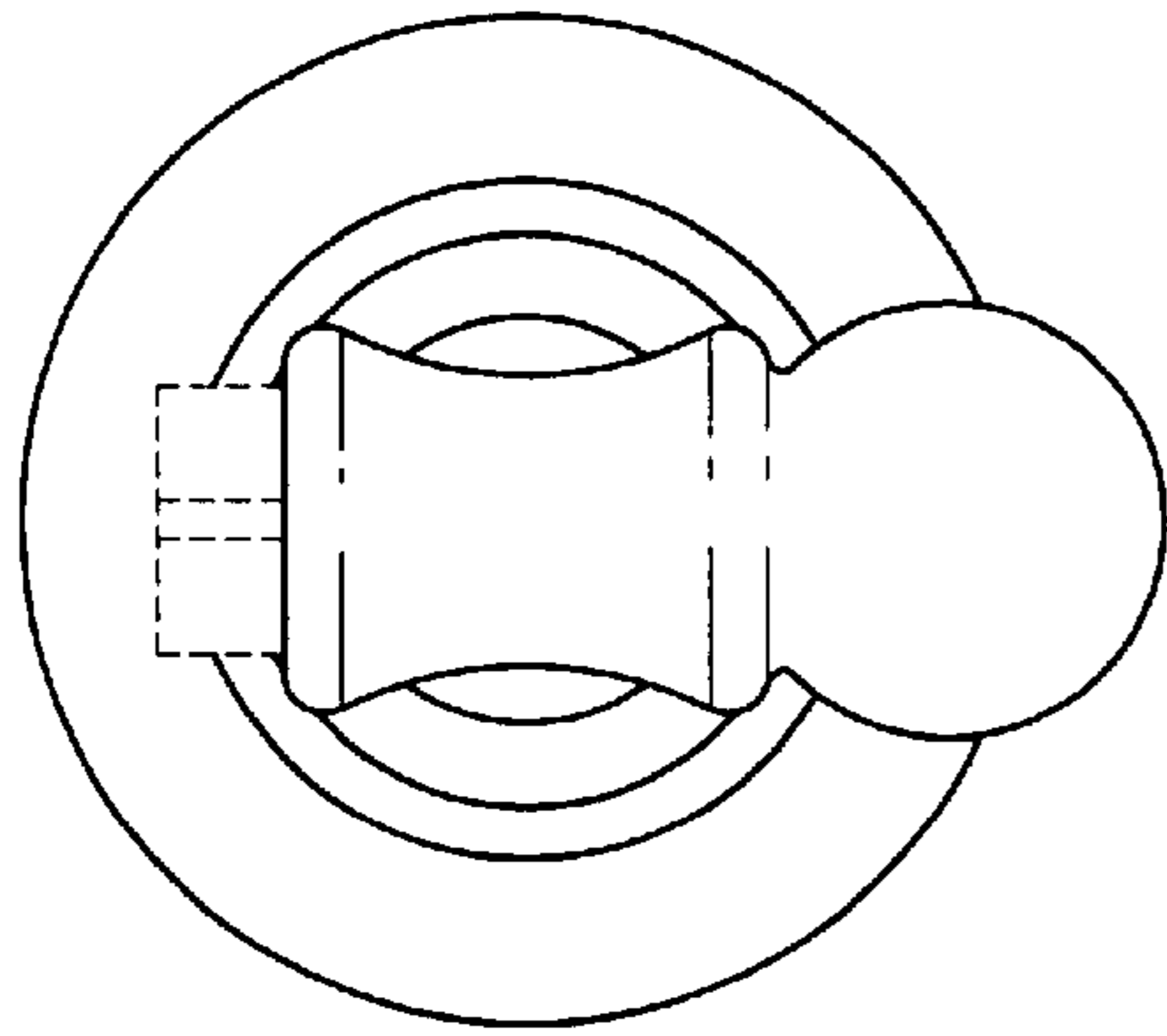
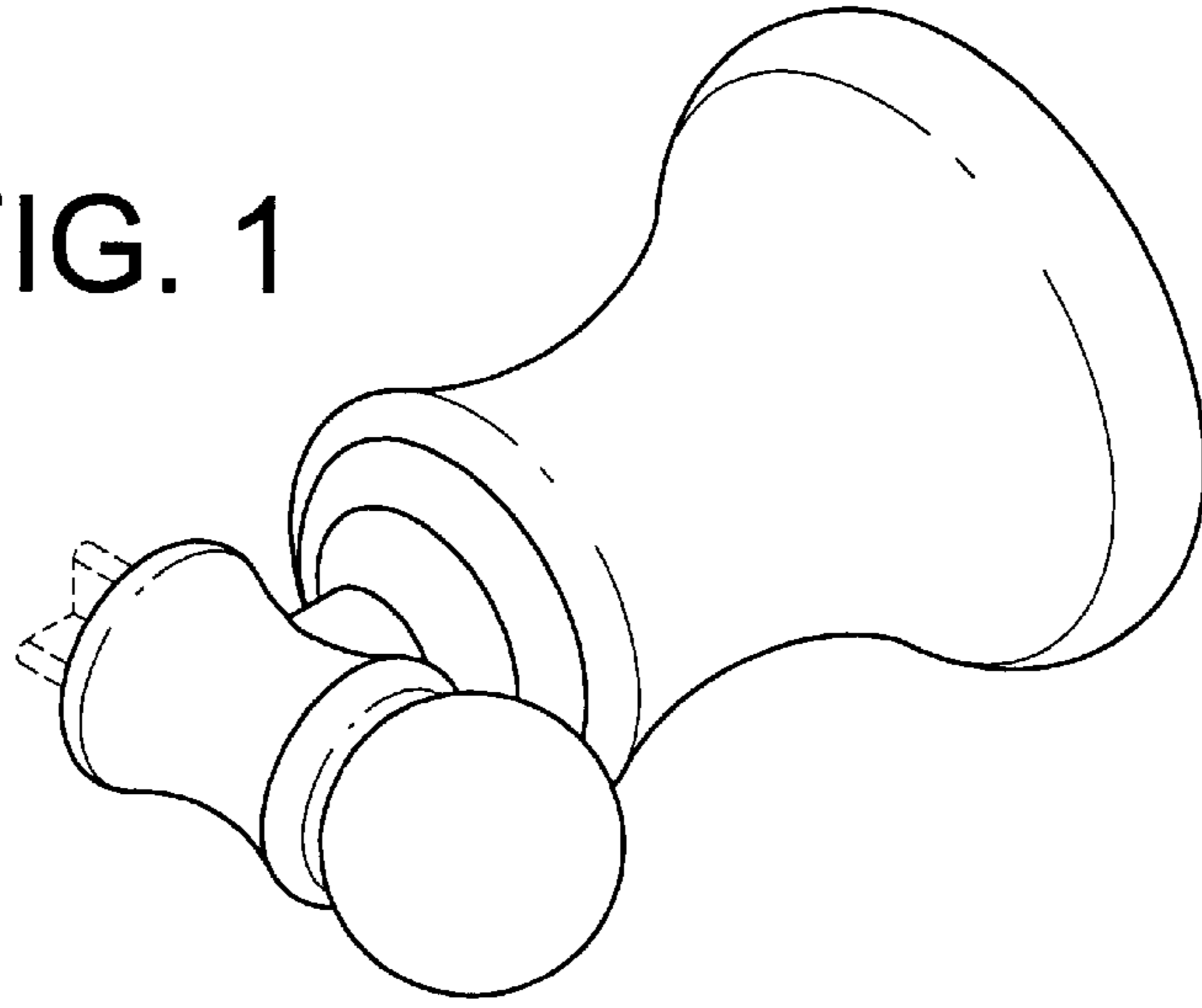


FIG. 2

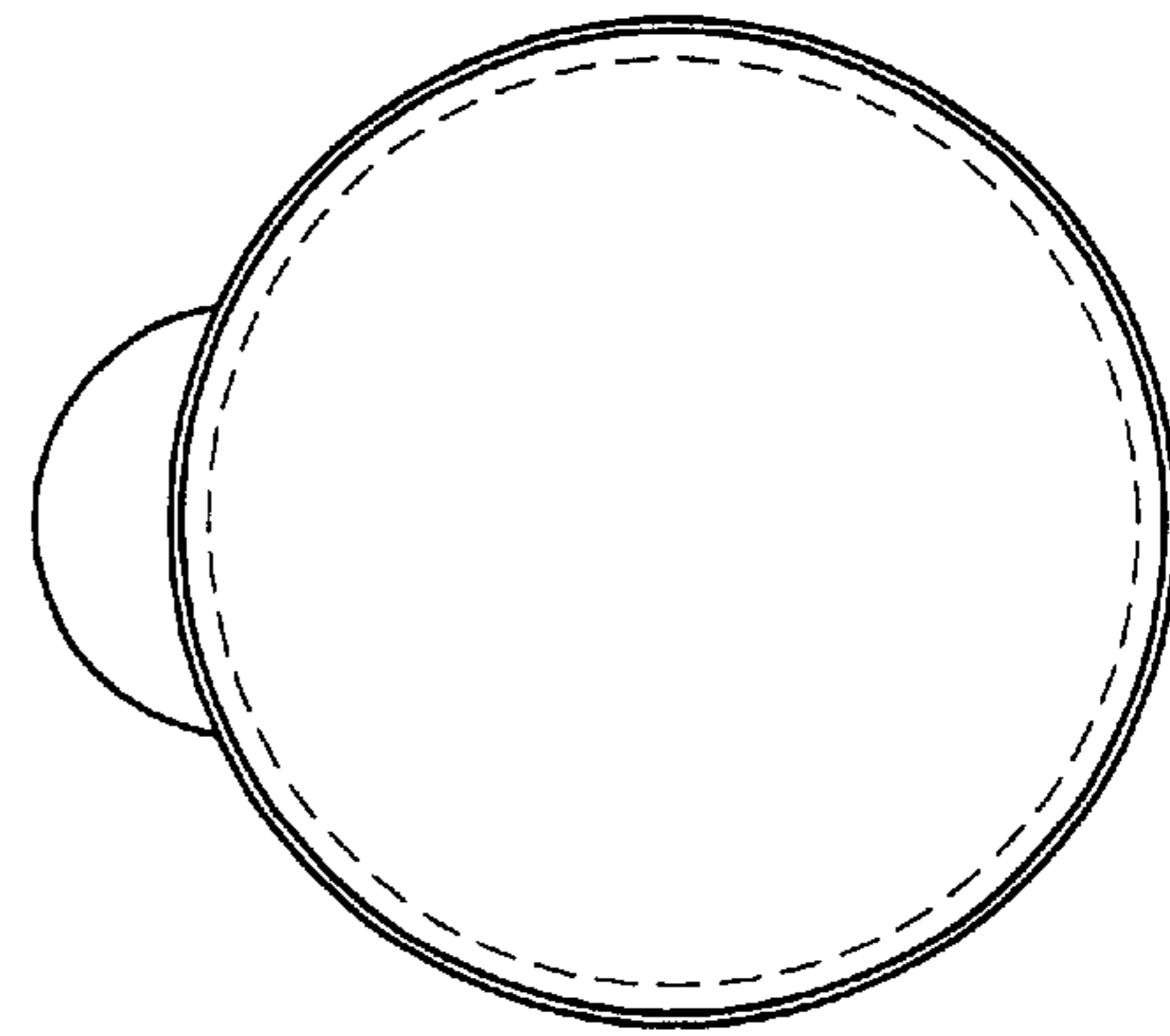


FIG. 3

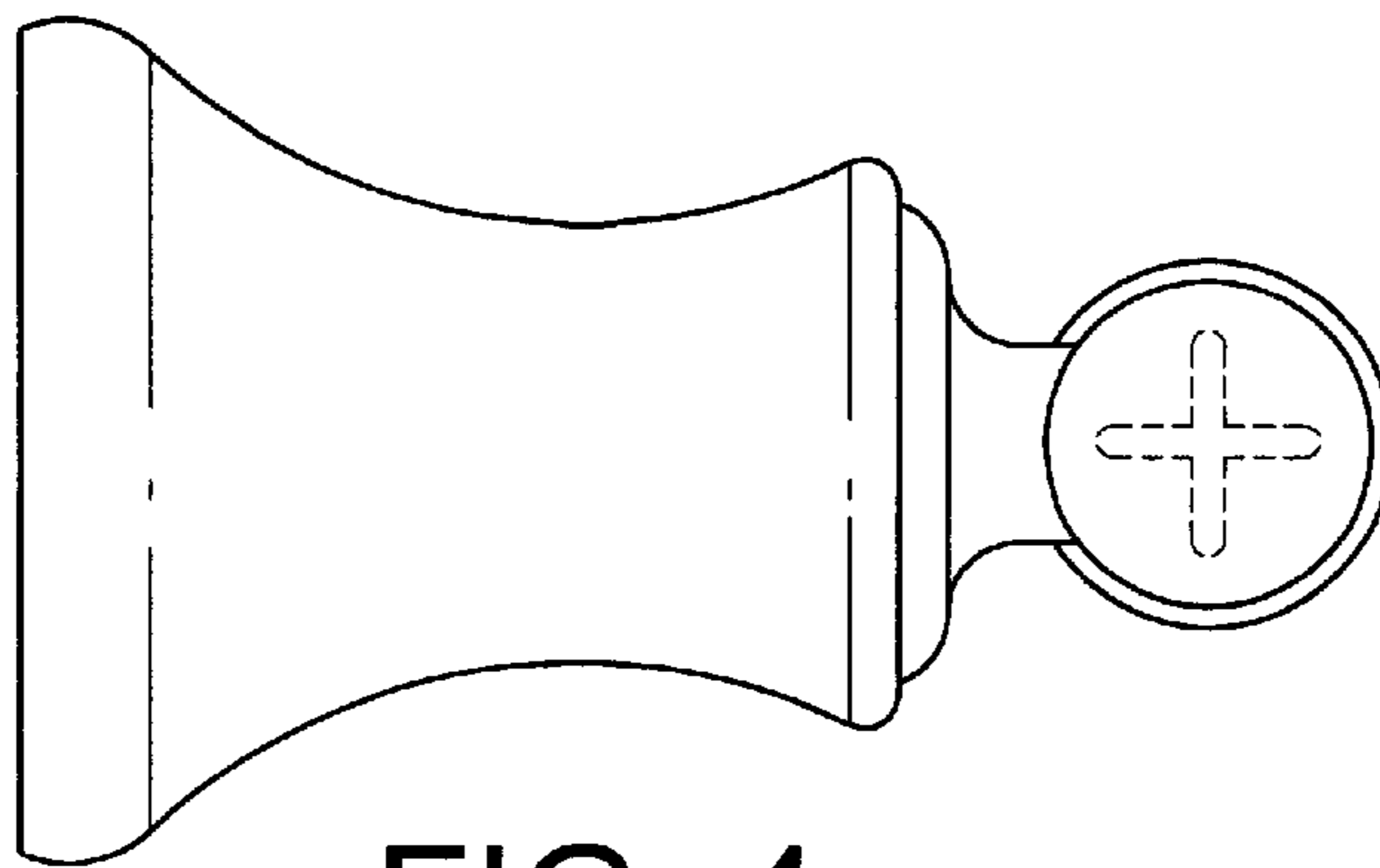


FIG. 4

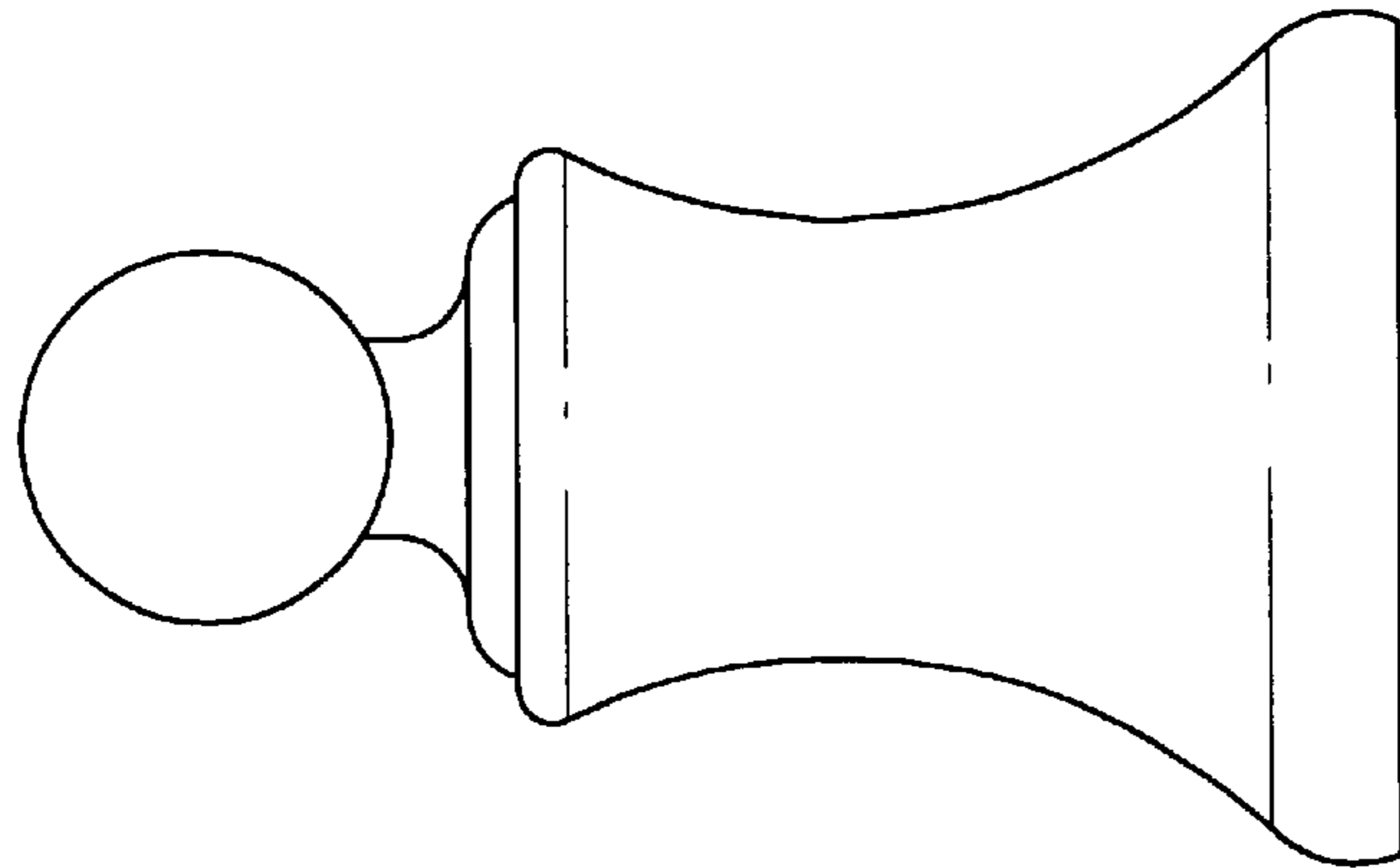


FIG. 5

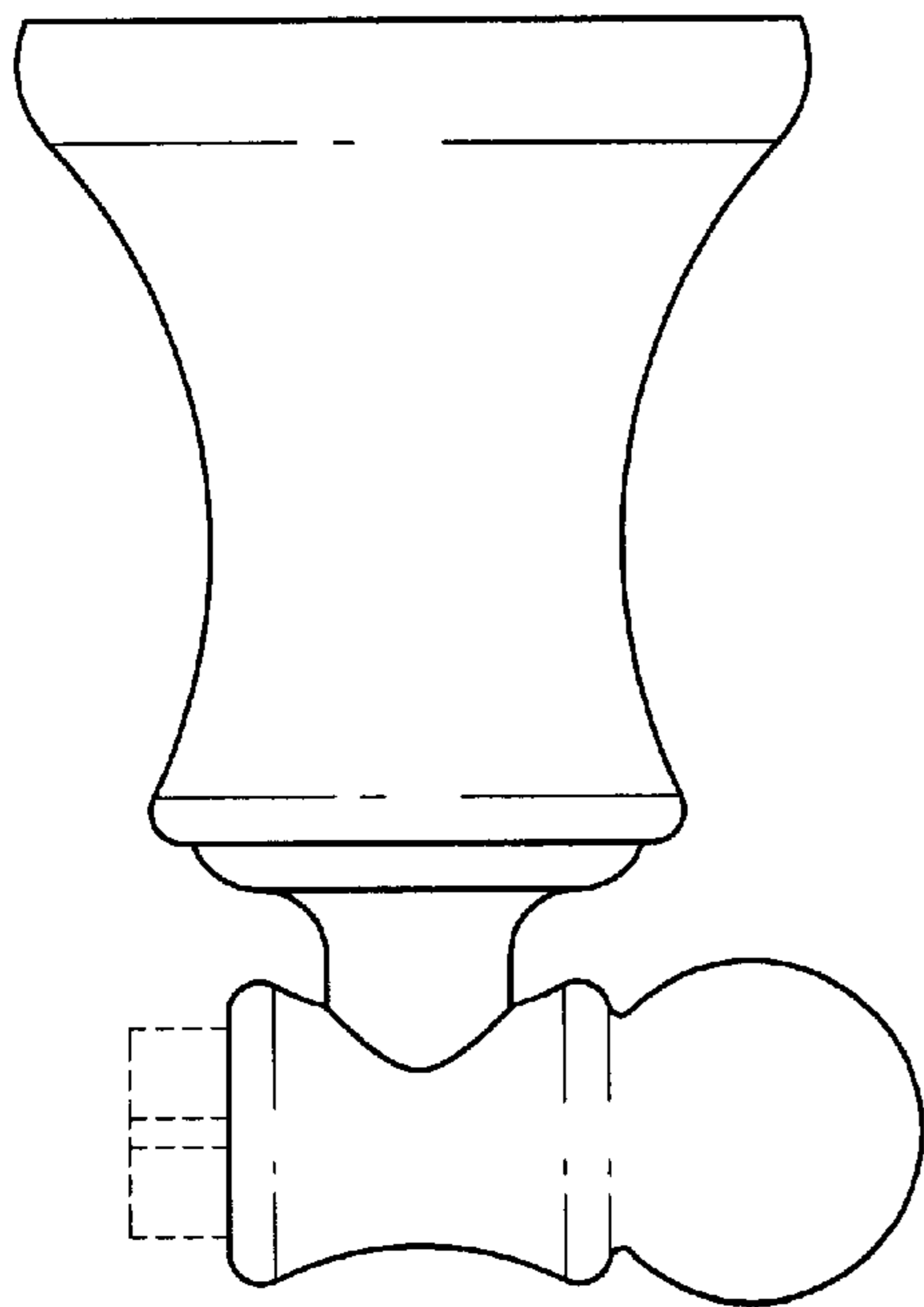


FIG. 6

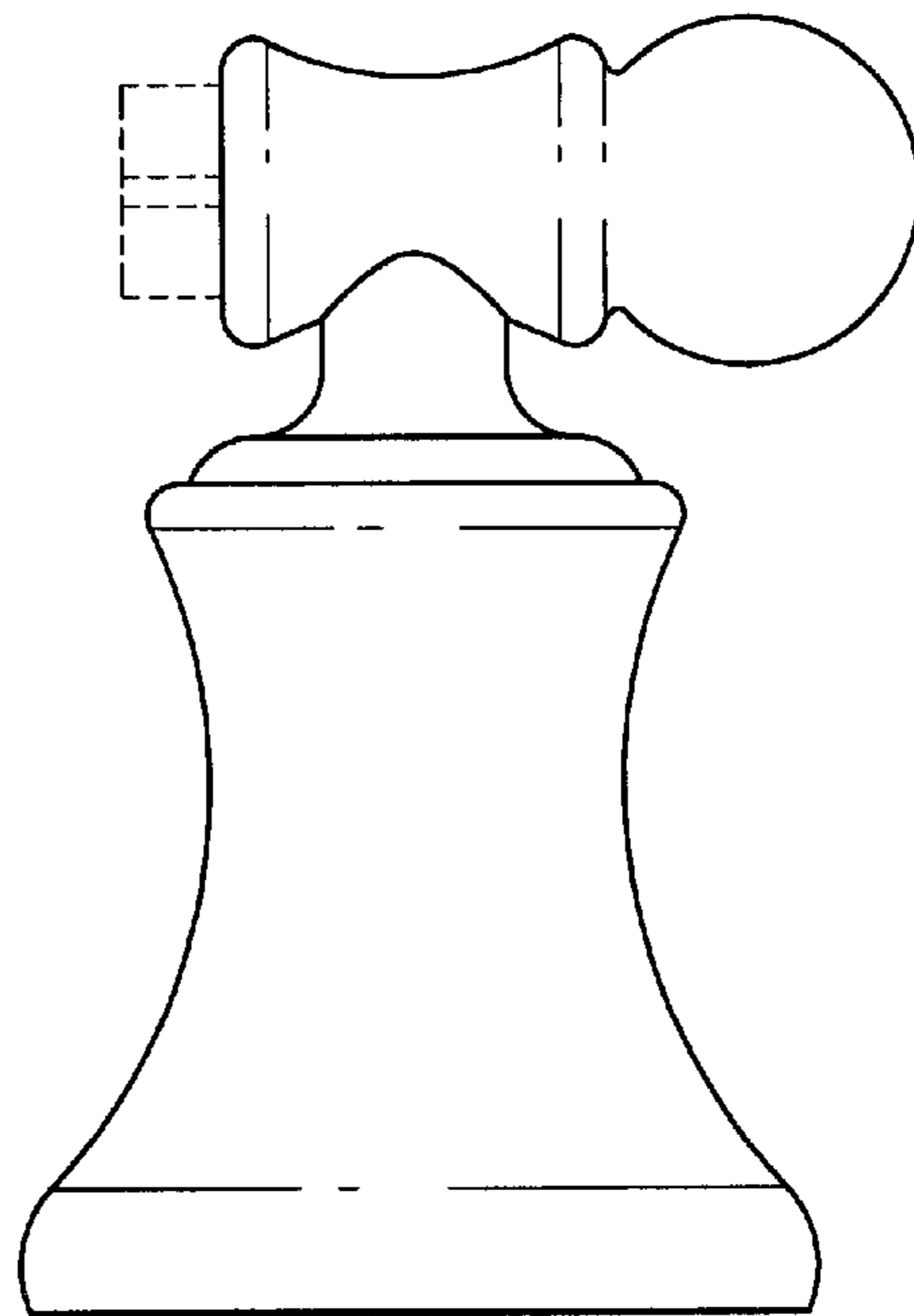


FIG. 7