



US00D516354S

(12) **United States Design Patent**
Sedwick

(10) **Patent No.:** **US D516,354 S**
(45) **Date of Patent:** **** Mar. 7, 2006**

(54) **POST**
(75) **Inventor:** **Jennifer Sedwick**, Lakewood, OH (US)
(73) **Assignee:** **Moen Incorporated**, North Olmsted, OH (US)
(**) **Term:** **14 Years**
(21) **Appl. No.:** **29/223,409**
(22) **Filed:** **Feb. 14, 2005**
(51) **LOC (8) Cl.** **06-04**
(52) **U.S. Cl.** **D6/550**
(58) **Field of Classification Search** D6/546-550,
D6/518-523; D8/300, 303, 315-321, 349,
D8/354, 363, 373, 380; 108/28-29; 248/175,
248/176.1, 251, 302, 309.1; 16/110.1, 412,
16/415; 242/570, 590, 595-598; 211/13.1,
211/16, 60.1, 100, 86.01, 87.01, 88.01, 88.04,
211/105.1-105.2, 123, 182, 181.1
See application file for complete search history.

D461,536 S 8/2002 Singtoroj
D465,365 S 11/2002 Moore
D465,368 S 11/2002 Moore
D466,348 S * 12/2002 Yen D6/550
D466,742 S 12/2002 Moore
D466,745 S * 12/2002 Chou D6/550
D466,986 S 12/2002 Singtoroj et al.
D468,405 S 1/2003 McKeone
D469,644 S * 2/2003 Yen D6/550
D471,748 S 3/2003 Moore
D474,671 S 5/2003 Singtoroj et al.
D475,766 S 6/2003 Tolosa
D476,064 S 6/2003 Smith
D477,486 S * 7/2003 Green D6/550
D478,754 S 8/2003 Moore
D484,951 S 1/2004 Lin
D487,924 S 3/2004 Lin
D493,315 S 7/2004 Gilbert
D494,396 S 8/2004 Veltz et al.
D504,042 S * 4/2005 Wu D6/550
2002/0023993 A1 2/2002 Fleischmann et al.

* cited by examiner

Primary Examiner—Brian N Vinson
(74) *Attorney, Agent, or Firm*—Calfee, Halter & Griswold LLP

(56) **References Cited**

U.S. PATENT DOCUMENTS

D76,713 S 10/1928 Smith
D76,827 S 11/1928 Smith
D76,904 S 11/1928 Smith
D97,398 S 11/1935 Levett
D97,941 S 12/1935 Levett
2,096,602 A 10/1937 Weingarten
2,542,941 A 2/1951 Post
2,992,799 A 7/1961 Tisdall
D280,009 S 8/1985 Miller et al.
D337,014 S 7/1993 Wang
D405,509 S 2/1999 Doughty et al.
D417,995 S * 12/1999 Chen D6/550
D429,521 S 8/2000 Doughty et al.
D449,949 S * 11/2001 Hsieh D6/524
D452,101 S 12/2001 Yeh
D455,195 S 4/2002 McKeone

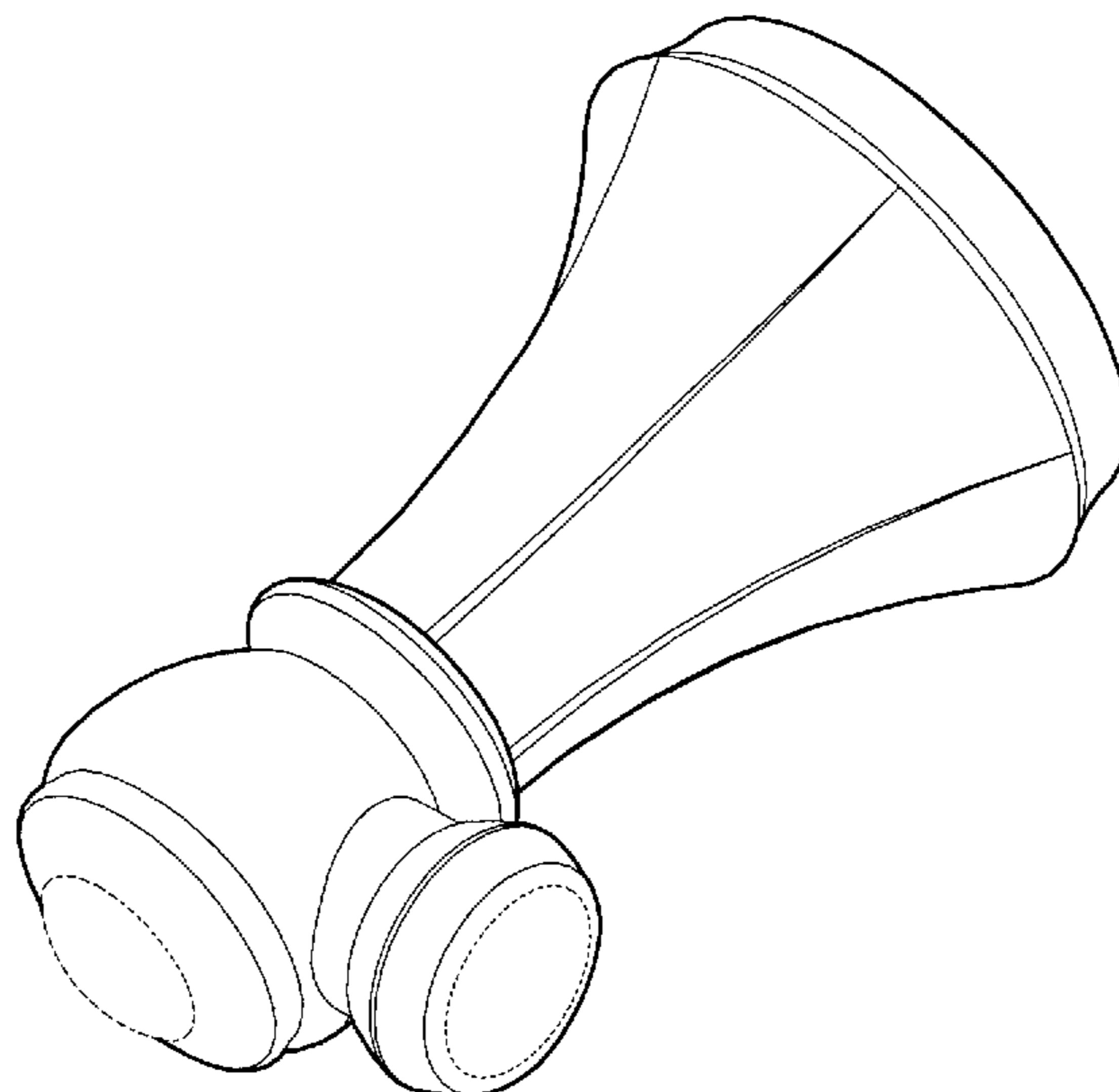
(57) **CLAIM**

The ornamental design for a post, as shown and described.

DESCRIPTION

FIG. 1 is a perspective view of a post of the new design; FIG. 2 is a front elevational view of the post of FIG. 1; FIG. 3 is a rear elevational view of the post of FIG. 1; FIG. 4 is a left side elevational view of the post of FIG. 1; FIG. 5 is a right side elevational view of the post of FIG. 1; FIG. 6 is a top plan view of the post of FIG. 1; and, FIG. 7 is a bottom plan view of the post of FIG. 1. The portions of the Figures shown in broken lines are not part of the claimed design but are for illustration only.

1 Claim, 4 Drawing Sheets



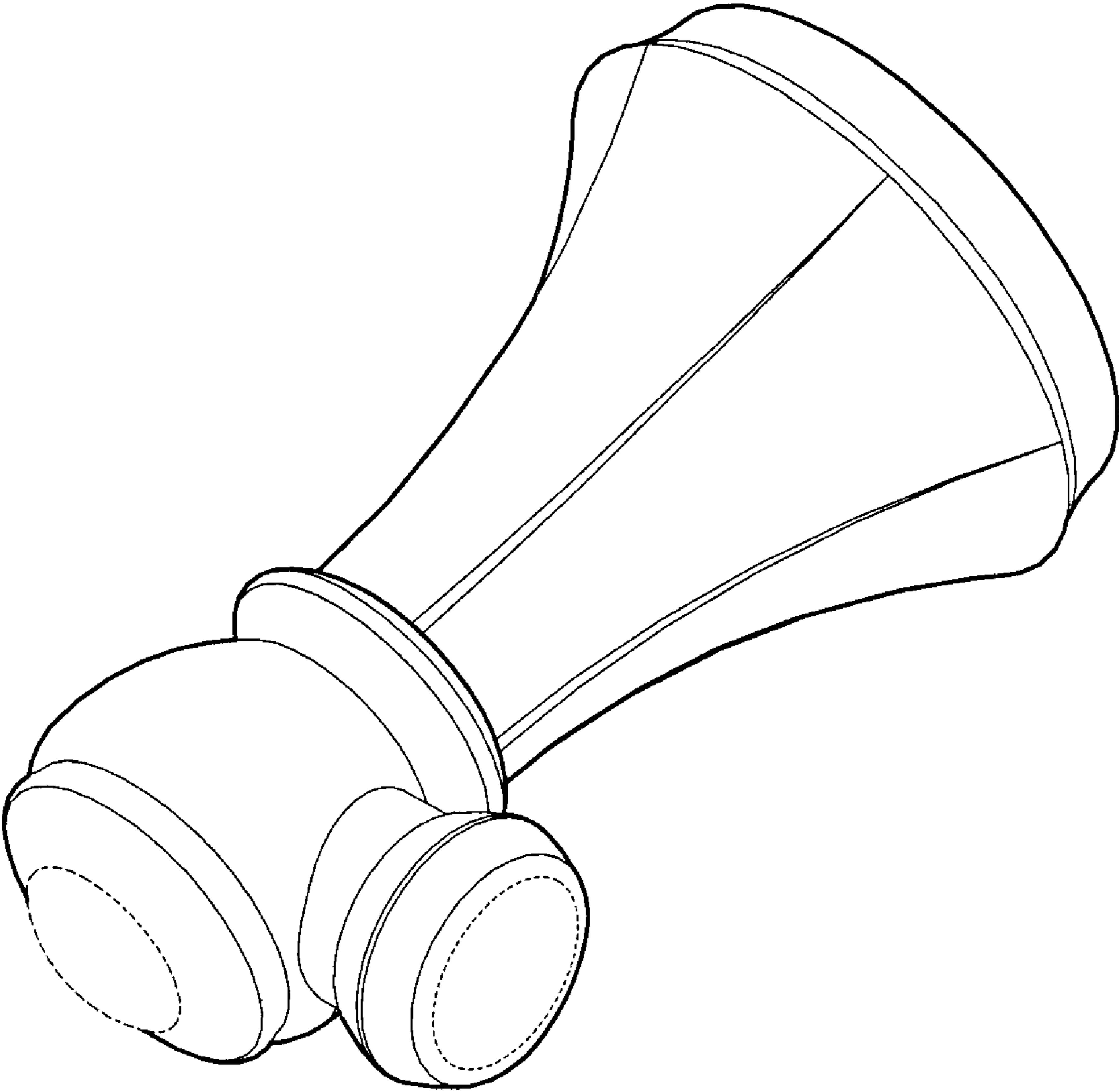


FIG. 1

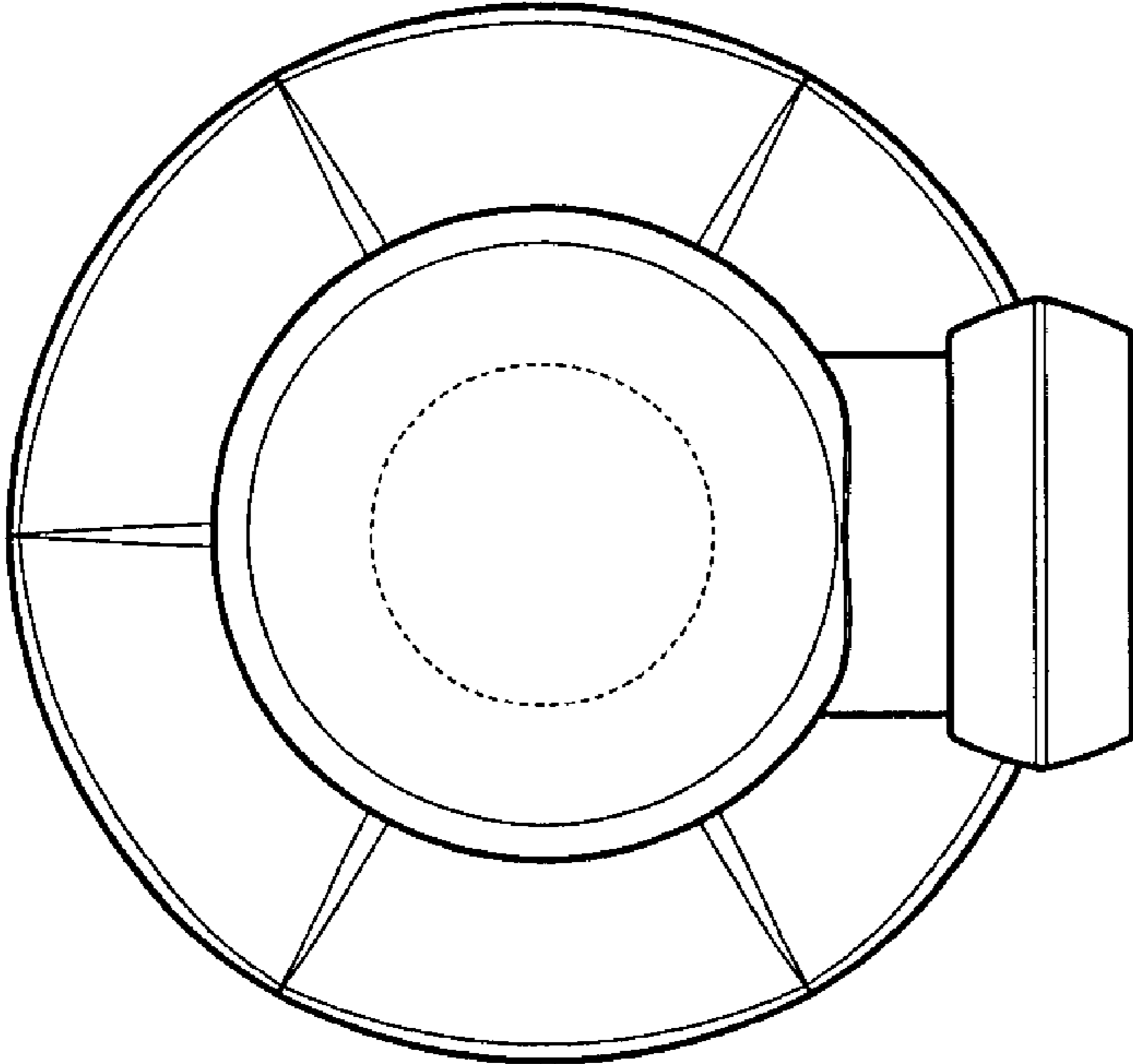


FIG. 2

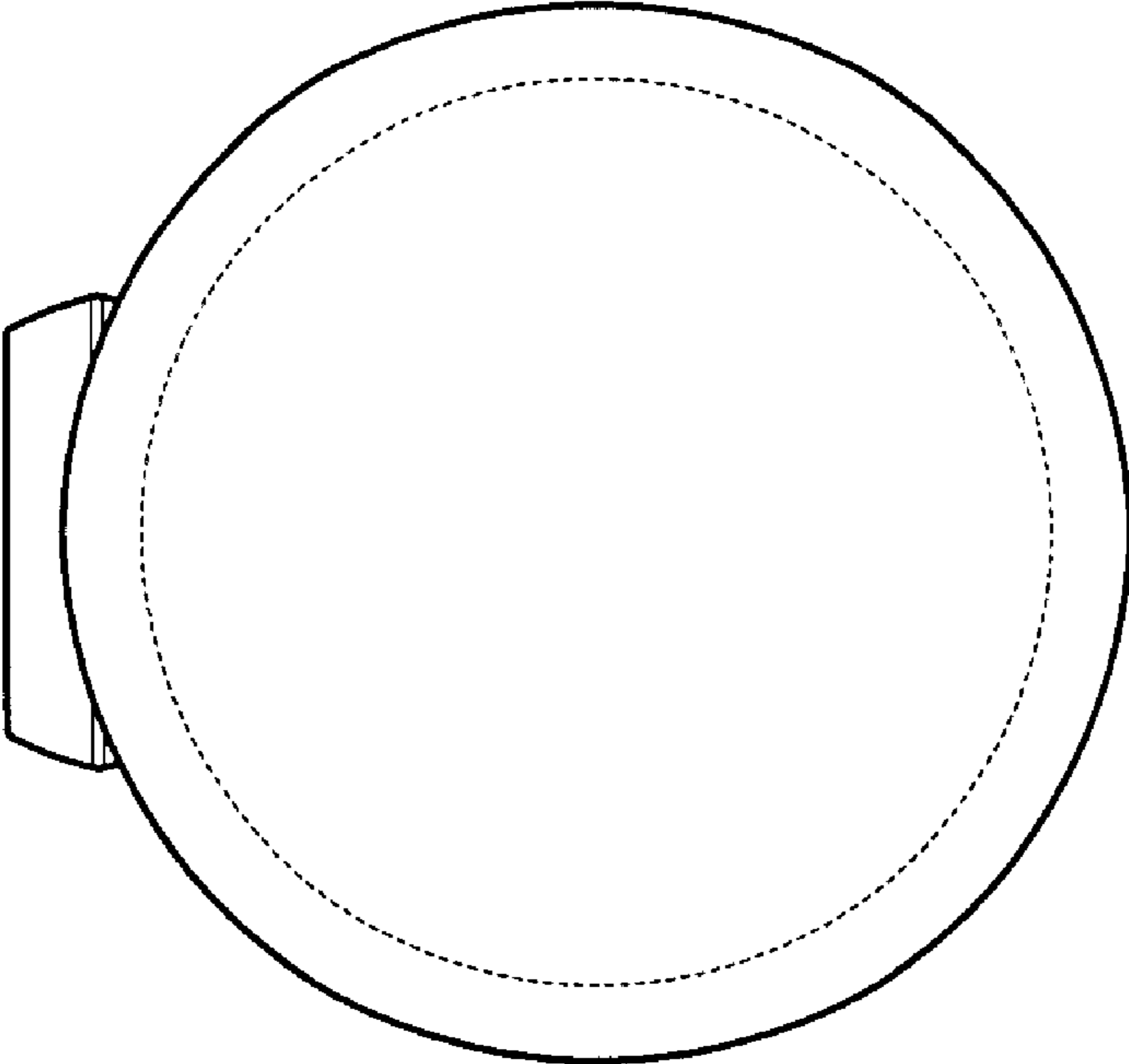


FIG. 3

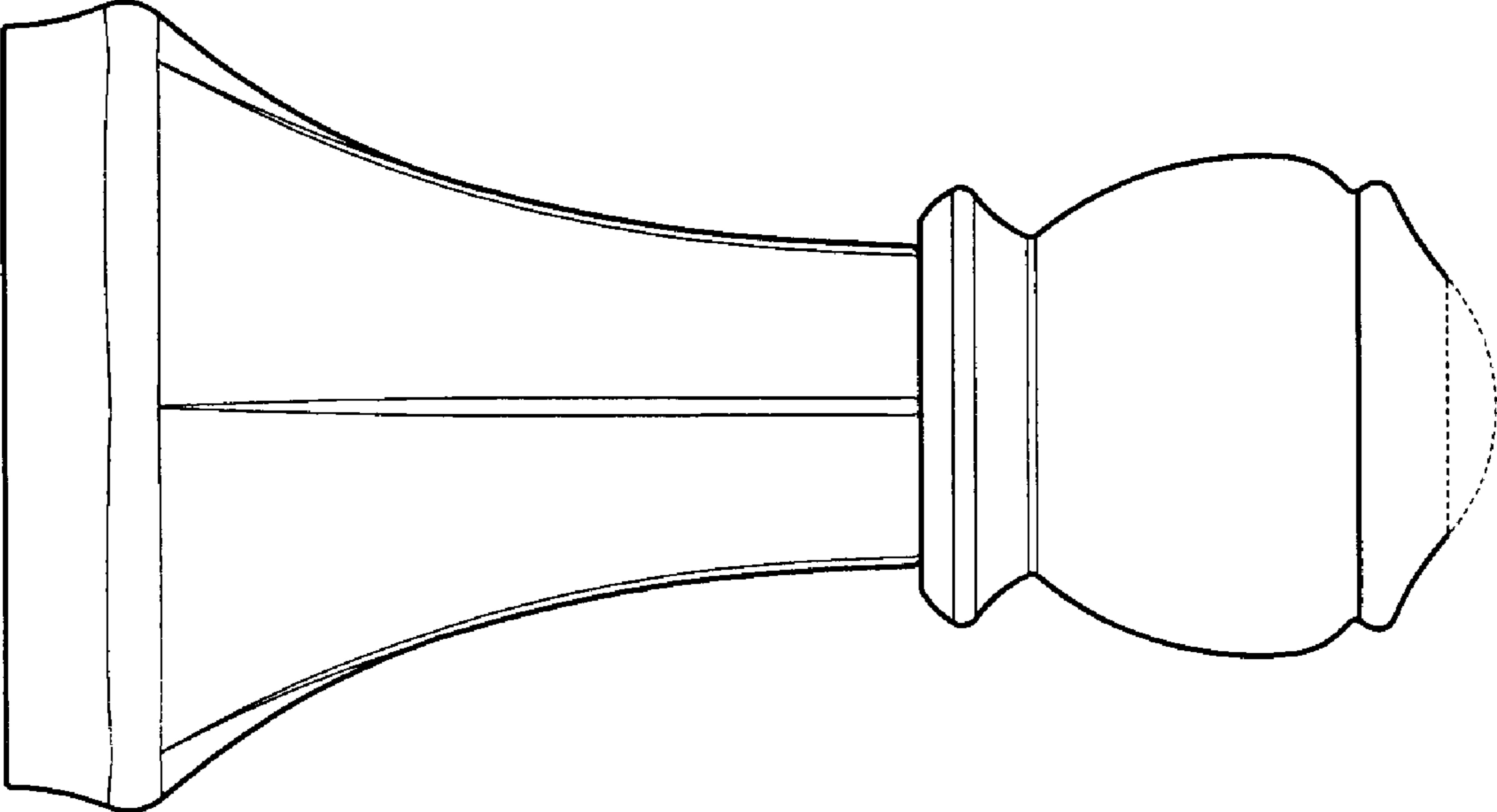


FIG. 4

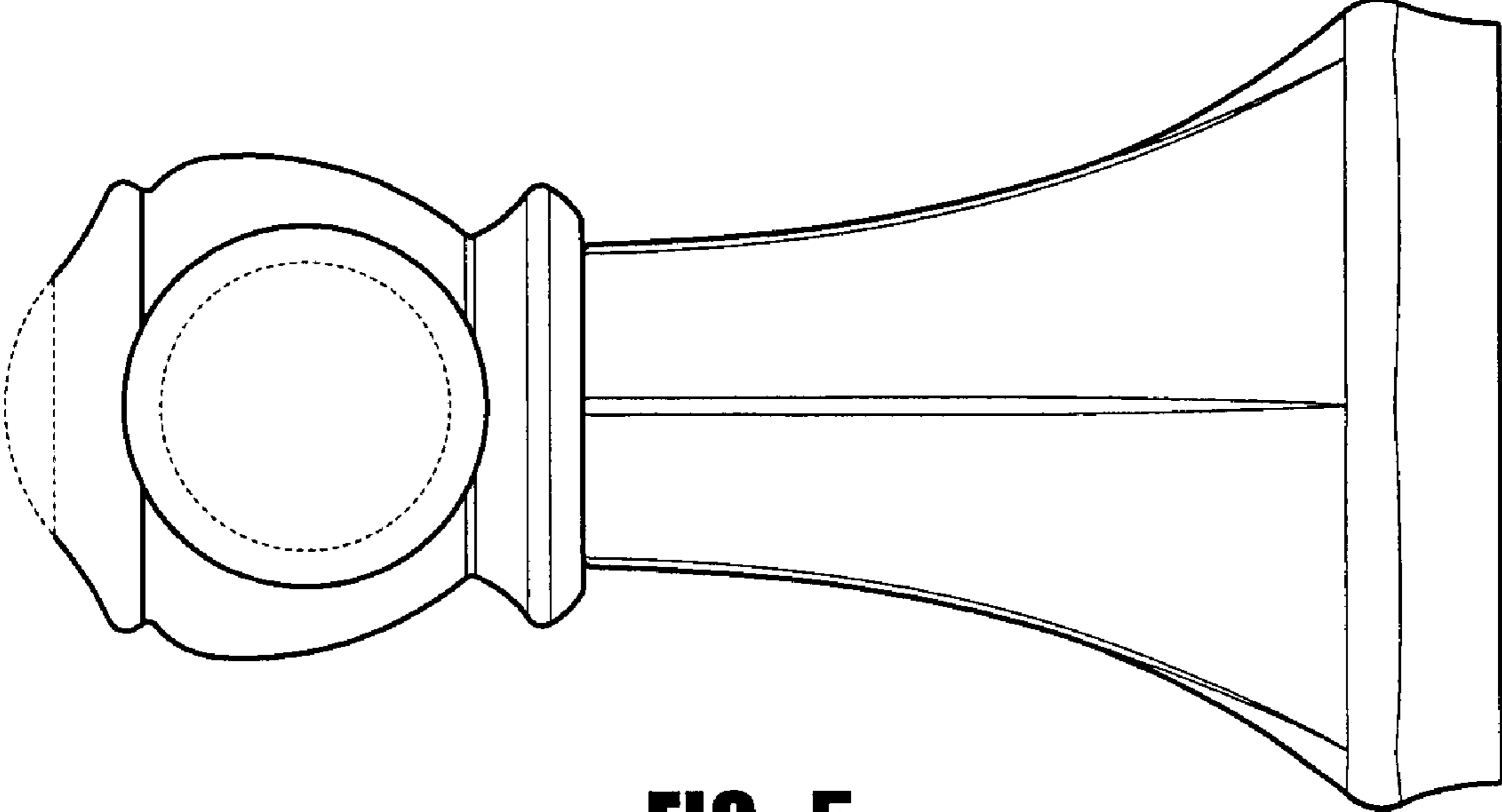


FIG. 5

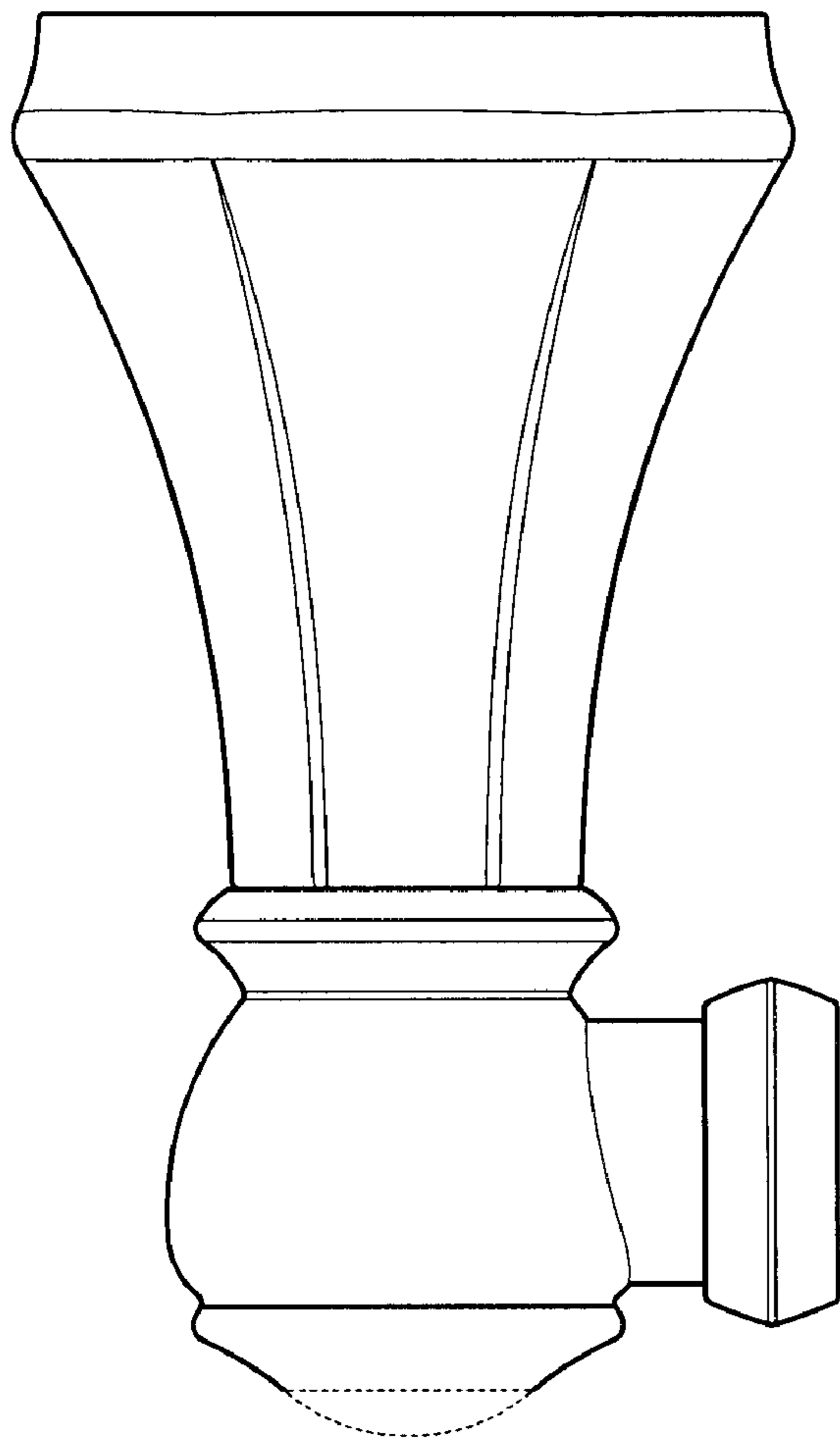


FIG. 6

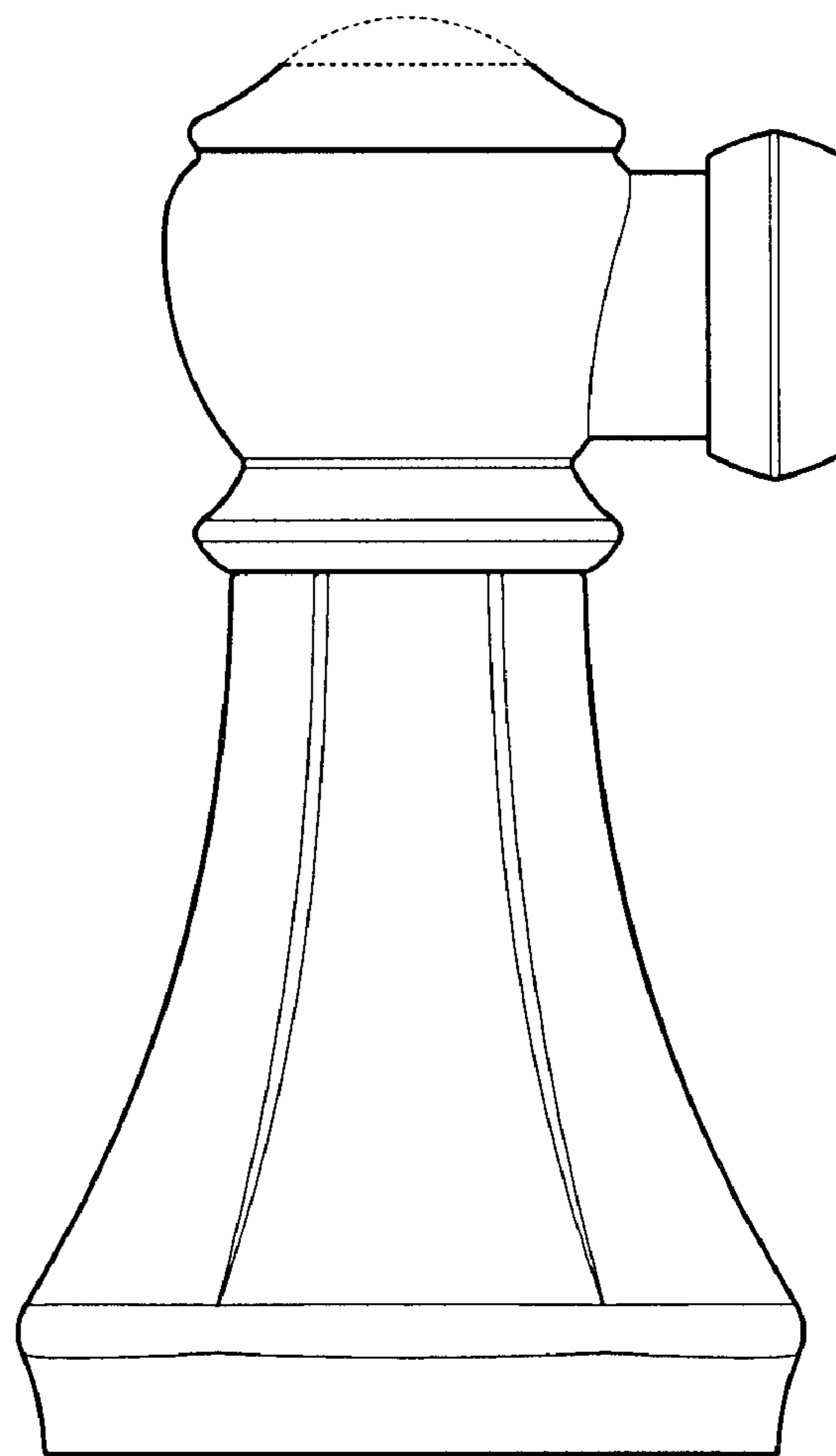


FIG. 7