



US00D516352S

(12) **United States Design Patent**
Gilbert

(10) **Patent No.:** **US D516,352 S**

(45) **Date of Patent:** **** Mar. 7, 2006**

(54) **ACCESSORY POST**

(75) **Inventor:** **Christopher Jon Gilbert**, Moreland Hills, OH (US)

(73) **Assignee:** **Moen Incorporated**, North Olmsted, OH (US)

(**) **Term:** **14 Years**

(21) **Appl. No.:** **29/218,728**

(22) **Filed:** **Dec. 7, 2004**

(51) **LOC (8) Cl.** **06-04**

(52) **U.S. Cl.** **D6/550**

(58) **Field of Classification Search** D6/546-550,
D6/518-523; D8/300, 303, 315-321, 349,
D8/354, 363, 373, 380; 108/28-29; 248/175,
248/176.1, 251, 302, 309.1; 16/110.1, 412,
16/415; 242/570, 590, 595-598; 211/13.1,
211/16, 60.1, 100, 86.01, 87.01, 88.01, 88.04,
211/105.1-105.2, 123, 182, 181.1

See application file for complete search history.

(56) **References Cited**

U.S. PATENT DOCUMENTS

- D417,995 S * 12/1999 Chen D6/550
- D449,949 S * 11/2001 Hsieh D6/524
- D466,348 S * 12/2002 Yen D6/550
- D466,745 S * 12/2002 Chou D6/550

- D469,644 S * 2/2003 Yen D6/550
- D477,486 S * 7/2003 Green D6/550
- D504,042 S * 4/2005 Wu D6/550

* cited by examiner

Primary Examiner—Brian N Vinson

(74) *Attorney, Agent, or Firm*—Calfee, Halter & Griswold LLP

(57) **CLAIM**

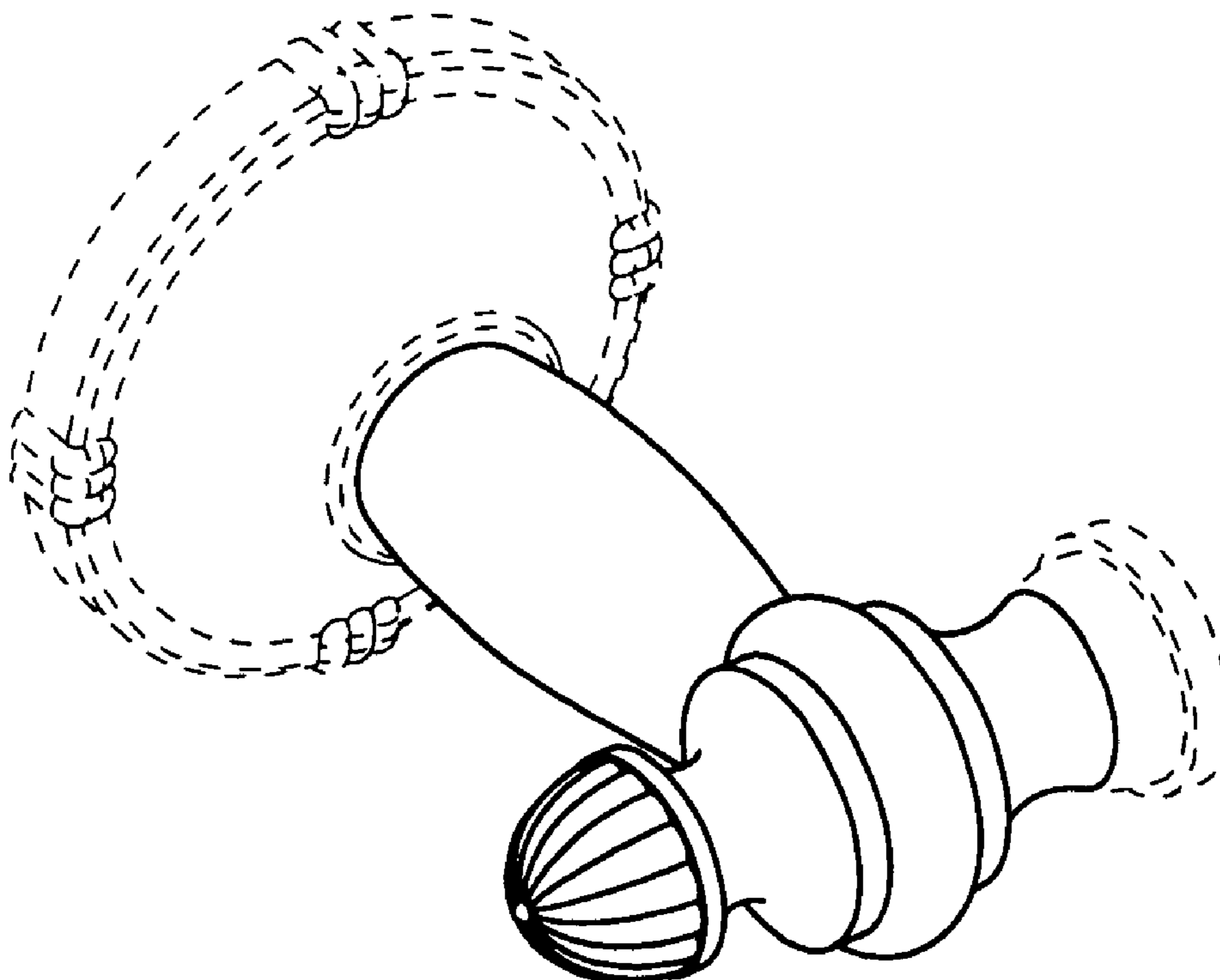
The ornamental design for an accessory post, as shown and described.

DESCRIPTION

FIG. 1 is a perspective view of an accessory post of the new design;
 FIG. 2 is a top plan view of the accessory post of FIG. 1;
 FIG. 3 is a left side elevational view of the accessory post of FIG. 1;
 FIG. 4 is a front elevational view of the accessory post of FIG. 1;
 FIG. 5 is a right side elevational view of the accessory post of FIG. 1;
 FIG. 6 is a rear elevational view of the accessory post of FIG. 1; and,
 FIG. 7 is a bottom plan view of the accessory post of FIG. 1.

The portions of the Figures shown in broken lines are not part of the claimed design but are for illustration only.

1 Claim, 1 Drawing Sheet



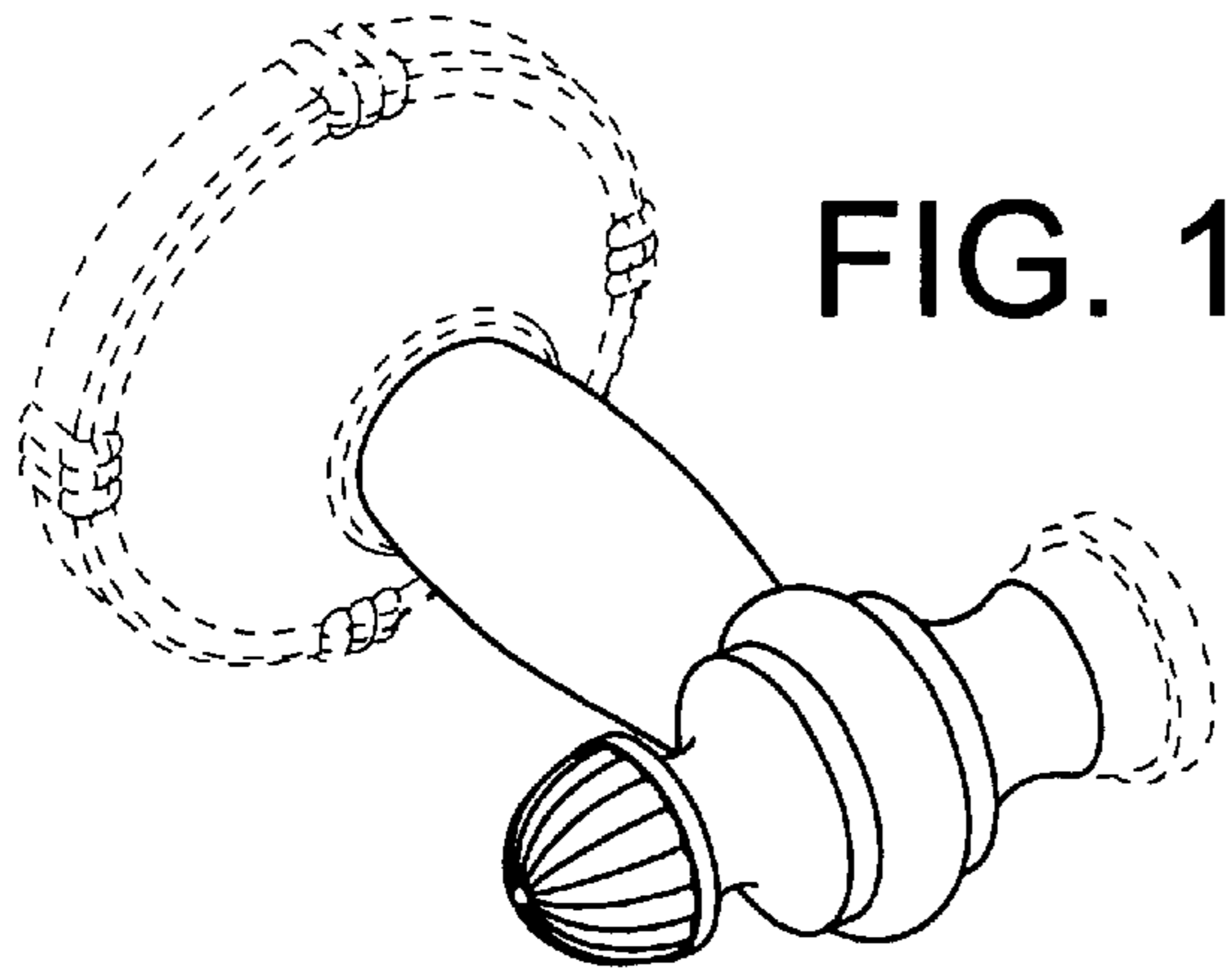


FIG. 1

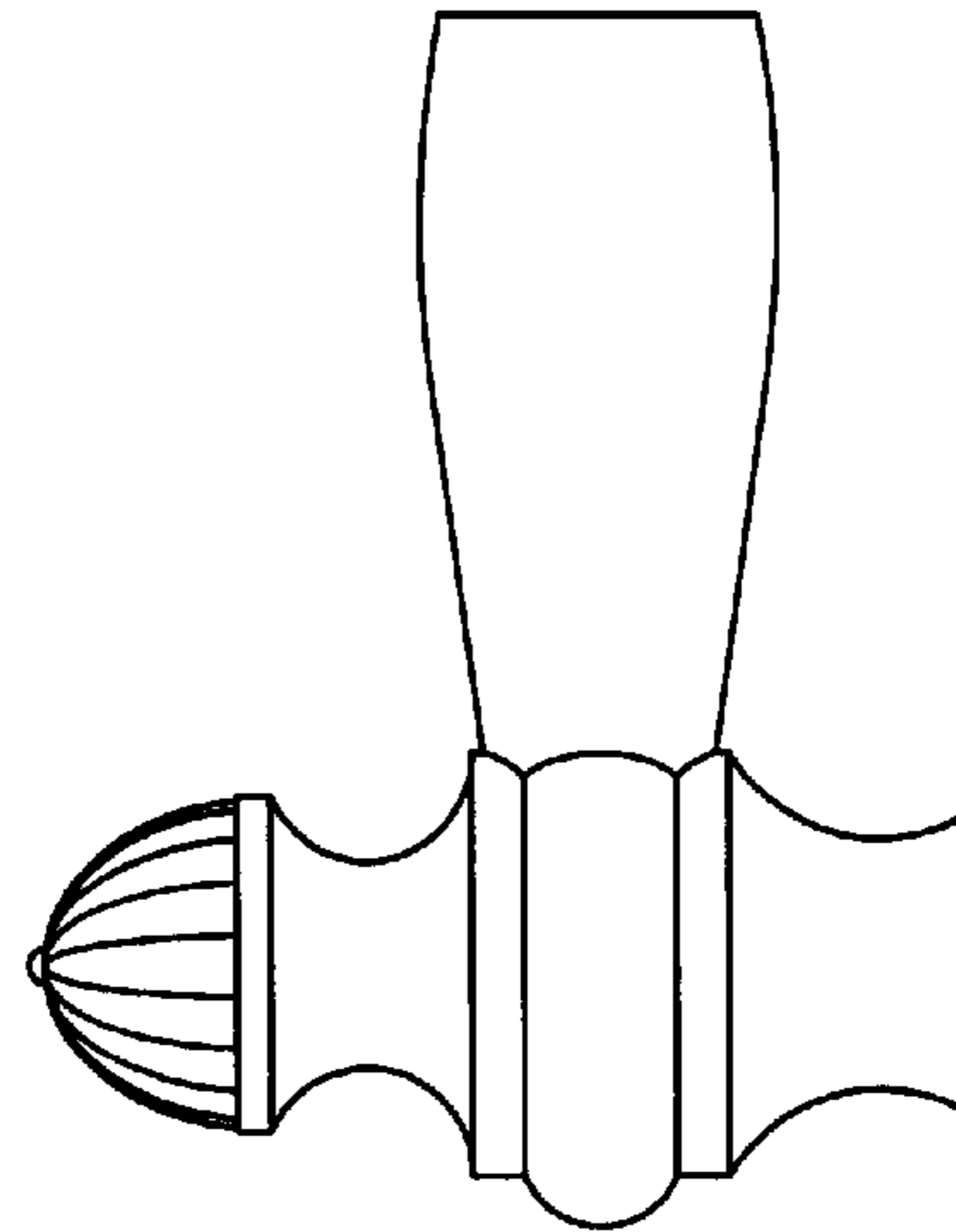


FIG. 2

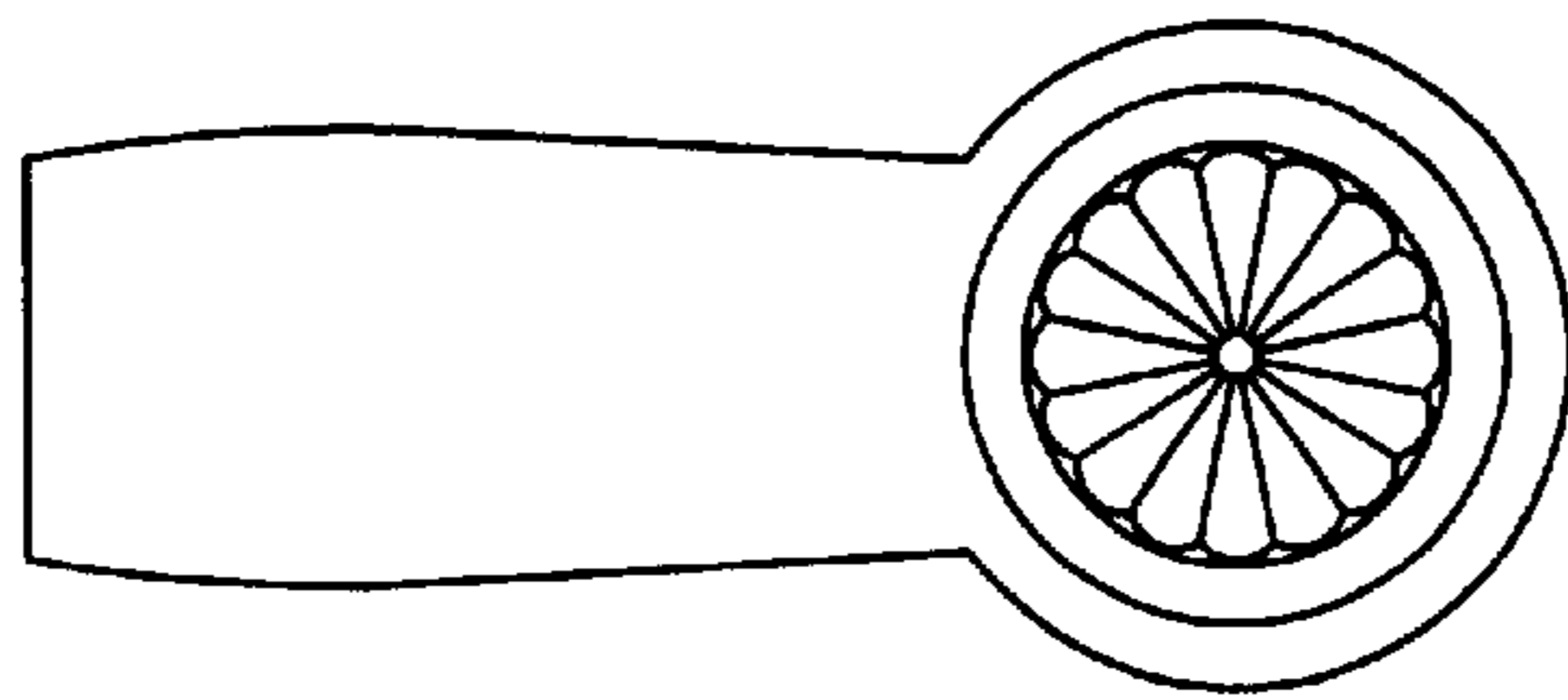


FIG. 3

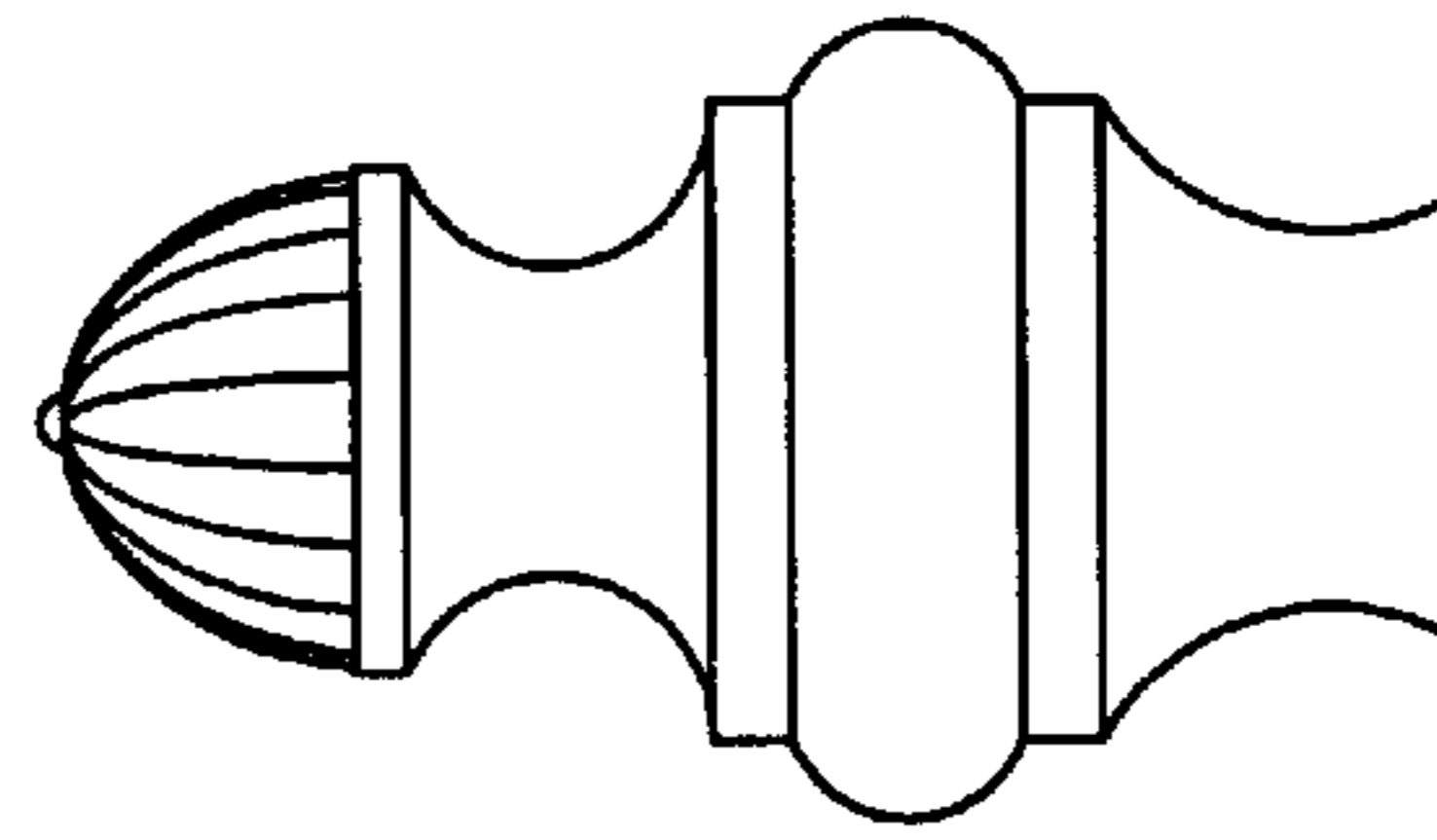


FIG. 4

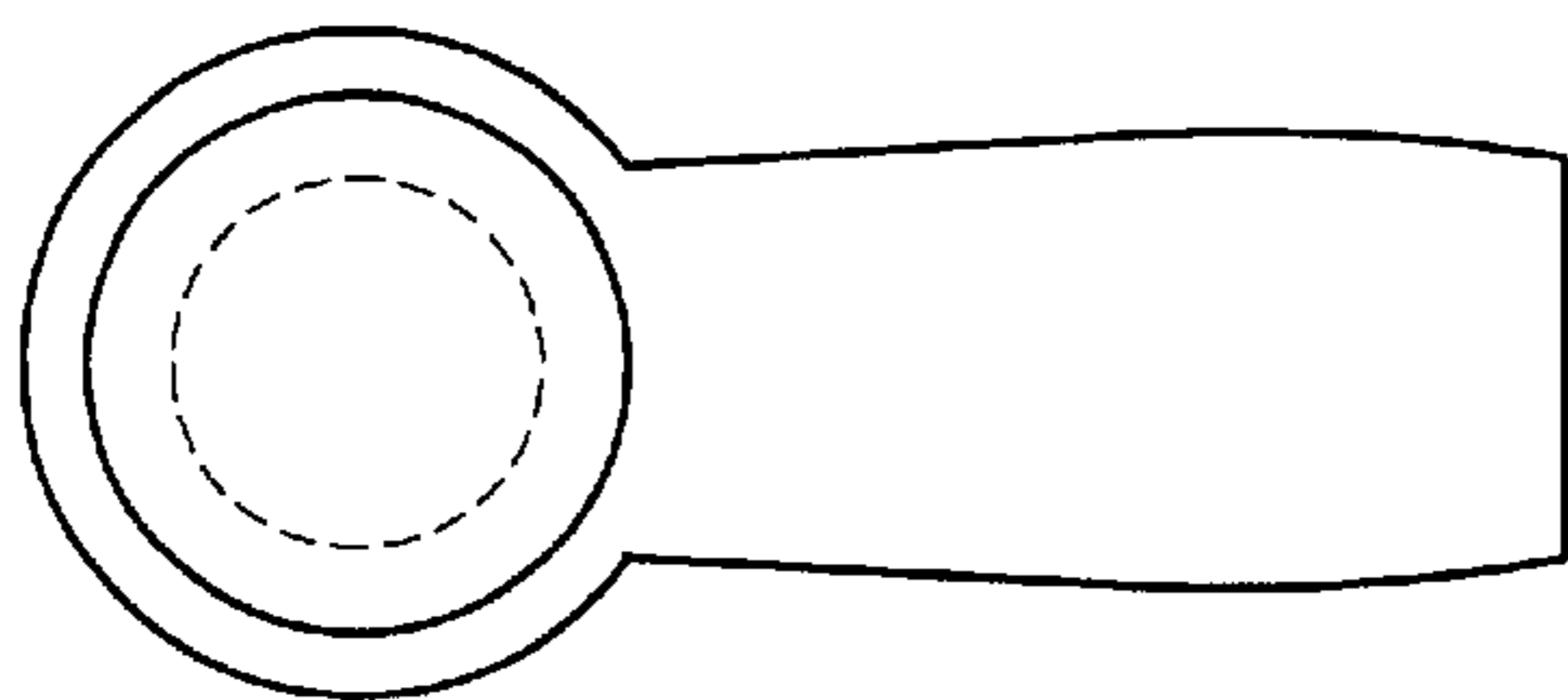


FIG. 5

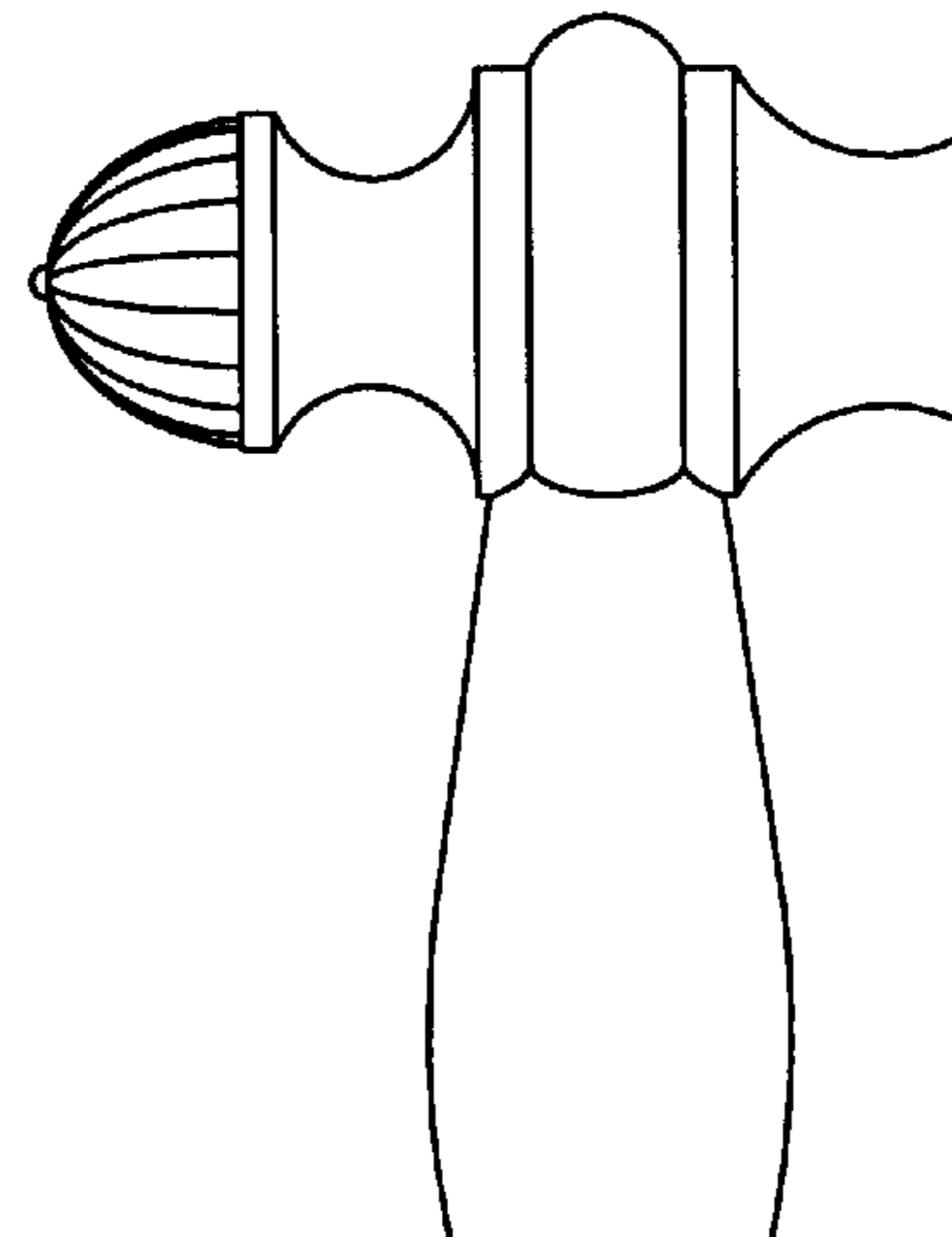


FIG. 7

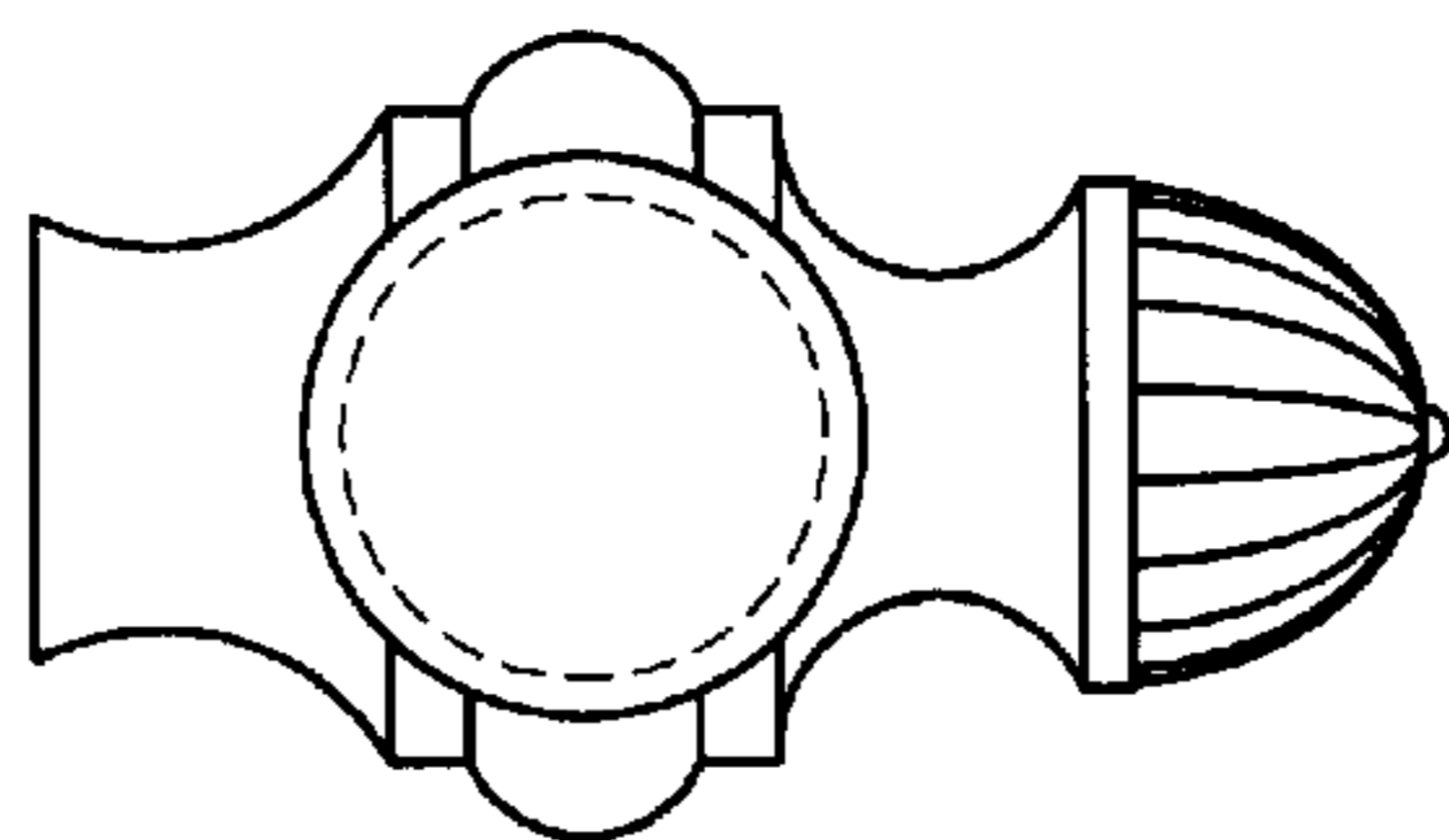


FIG. 6