



US00D516351S

(12) **United States Design Patent**
Chen

(10) **Patent No.:** **US D516,351 S**
(45) **Date of Patent:** **** Mar. 7, 2006**

(54) **POST FOR BATH ACCESSORY**

D451,738 S * 12/2001 Yeh D6/550
D454,745 S * 3/2002 Wright D6/550
D498,381 S * 11/2004 Graves et al. D6/550

(76) Inventor: **Lien-Fu Chen**, No. 11, Lane 66, Fu
Dong Street, Fu Shan Li, Chung Hua
City (TW)

* cited by examiner

(**) Term: **14 Years**

Primary Examiner—Brian N Vinson
(74) *Attorney, Agent, or Firm*—Charles E. Baxley

(21) Appl. No.: **29/218,374**

(57) **CLAIM**

(22) Filed: **Dec. 1, 2004**

The ornamental design for a post for bath accessory, as
shown and described.

(51) **LOC (8) Cl.** **06-04**

(52) **U.S. Cl.** **D6/550**

(58) **Field of Classification Search** D6/546–550,
D6/518–523; D8/300, 303, 315–321, 349,
D8/354, 363, 373, 380; 108/28–29; 248/175,
248/176.1, 251, 302, 309.1; 16/101.1, 412,
16/415; 242/570, 590, 595–598; 211/13.1,
211/16, 60.1, 100, 86.01, 87.01, 88.01, 88.04,
211/105.1–105.2, 123, 182, 181.1

See application file for complete search history.

DESCRIPTION

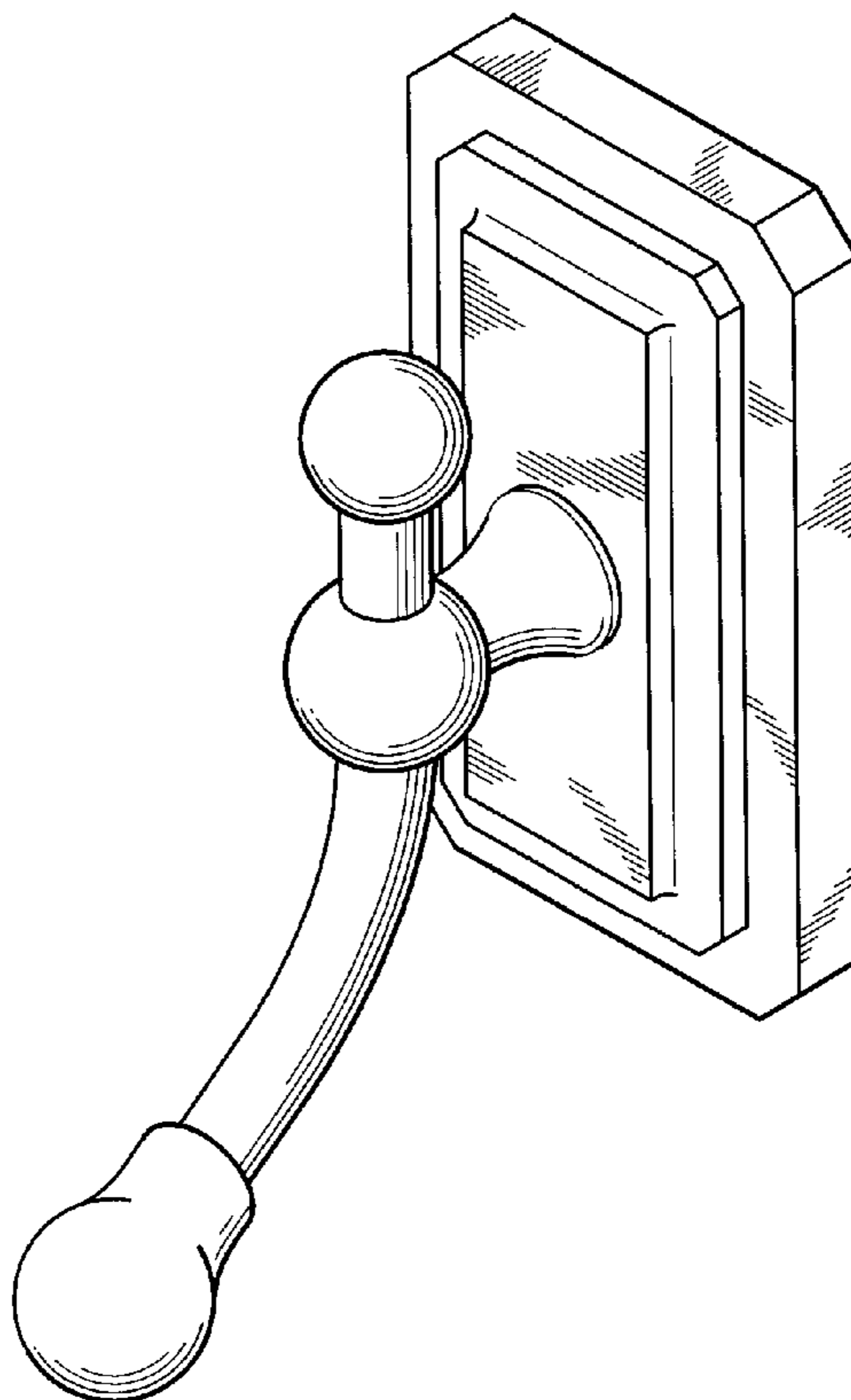
FIG. 1 is a perspective view of a post for bath accessory
showing my new design;
FIG. 2 is a front elevational view thereof;
FIG. 3 is a rear elevational view thereof;
FIG. 4 is a left side elevational view thereof;
FIG. 5 is a right side elevational view thereof;
FIG. 6 is a top plan view thereof;
FIG. 7 is a bottom plan view thereof; and,
FIG. 8 is a reduced top, front, and right side perspective
view thereof, with the broken-line disclosure of a towel bar
being for illustrative purposes only and forming no part of
the claimed design.

(56) **References Cited**

U.S. PATENT DOCUMENTS

D362,382 S * 9/1995 Cloud D8/354
D418,345 S * 1/2000 Chen D6/550
D448,593 S * 10/2001 Harvey D6/550

1 Claim, 5 Drawing Sheets



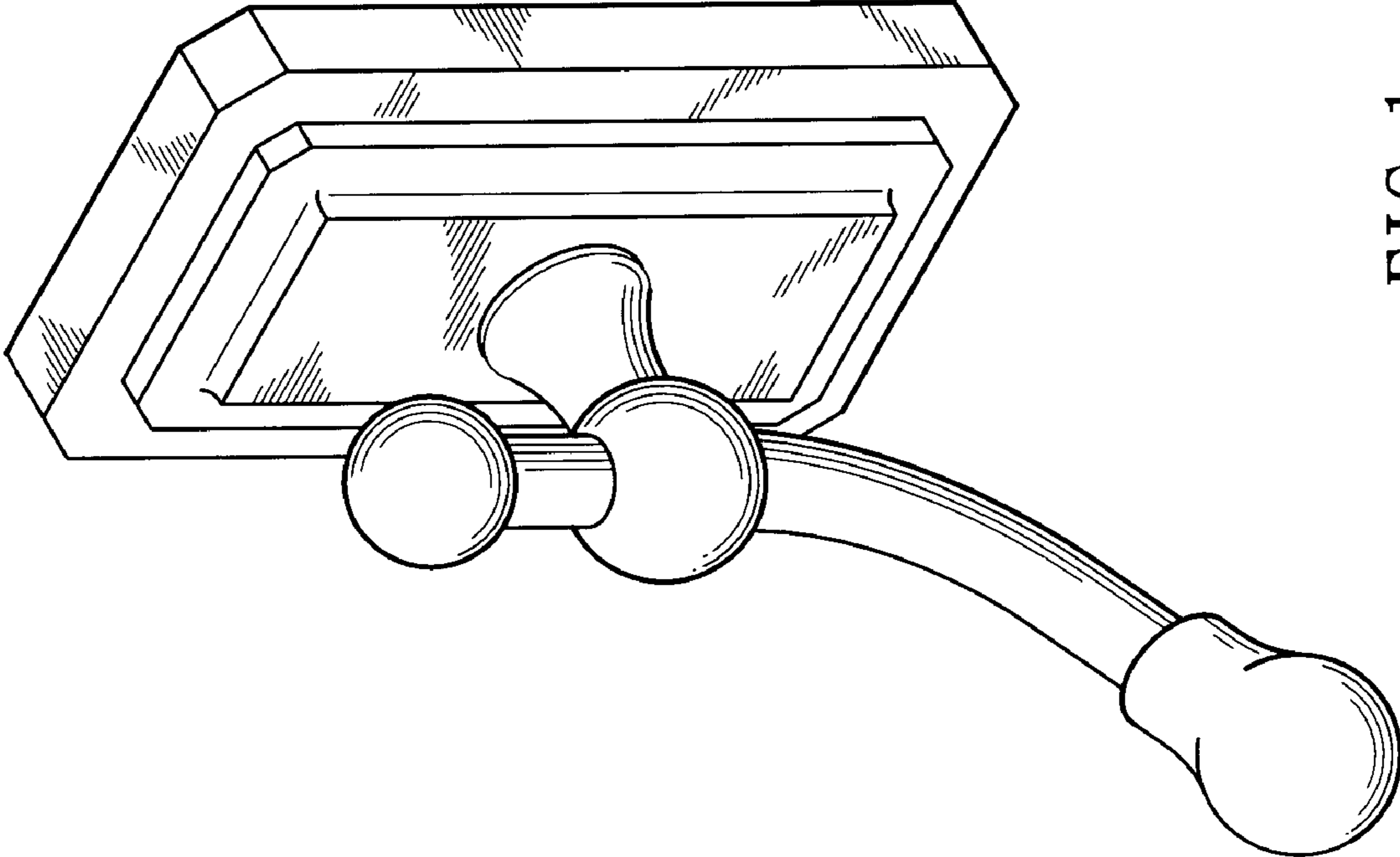


FIG. 1

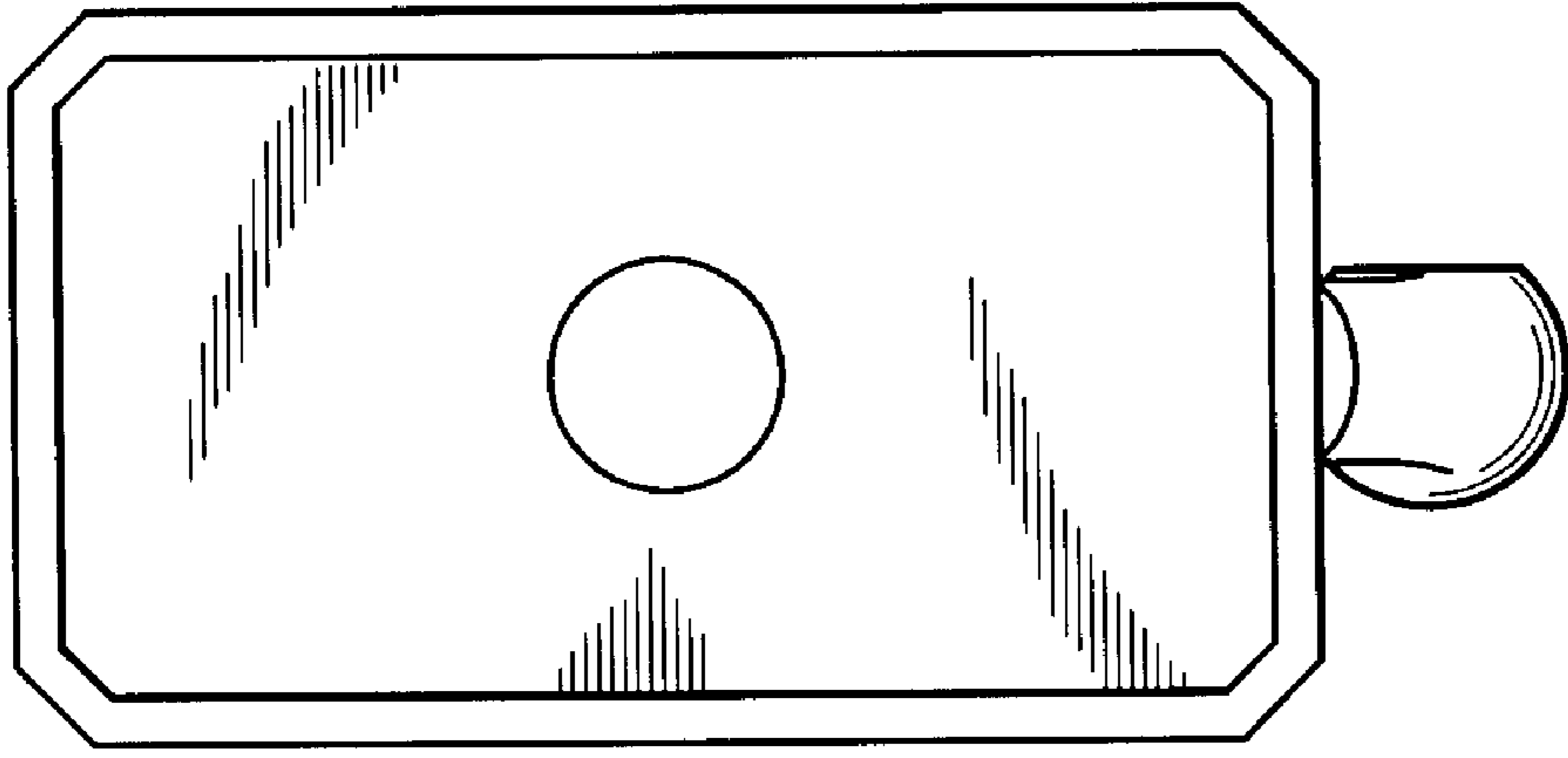


FIG. 3

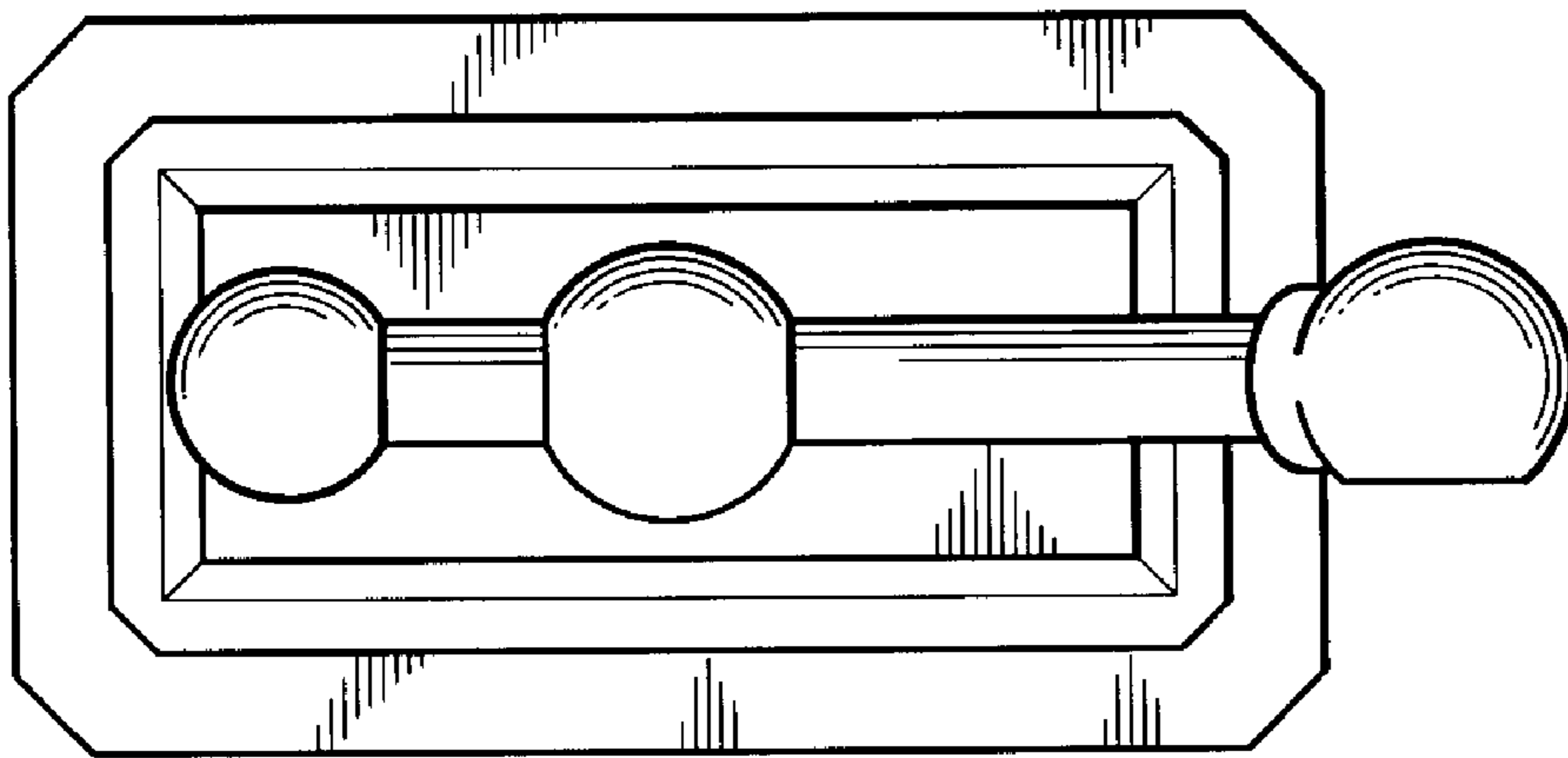


FIG. 2

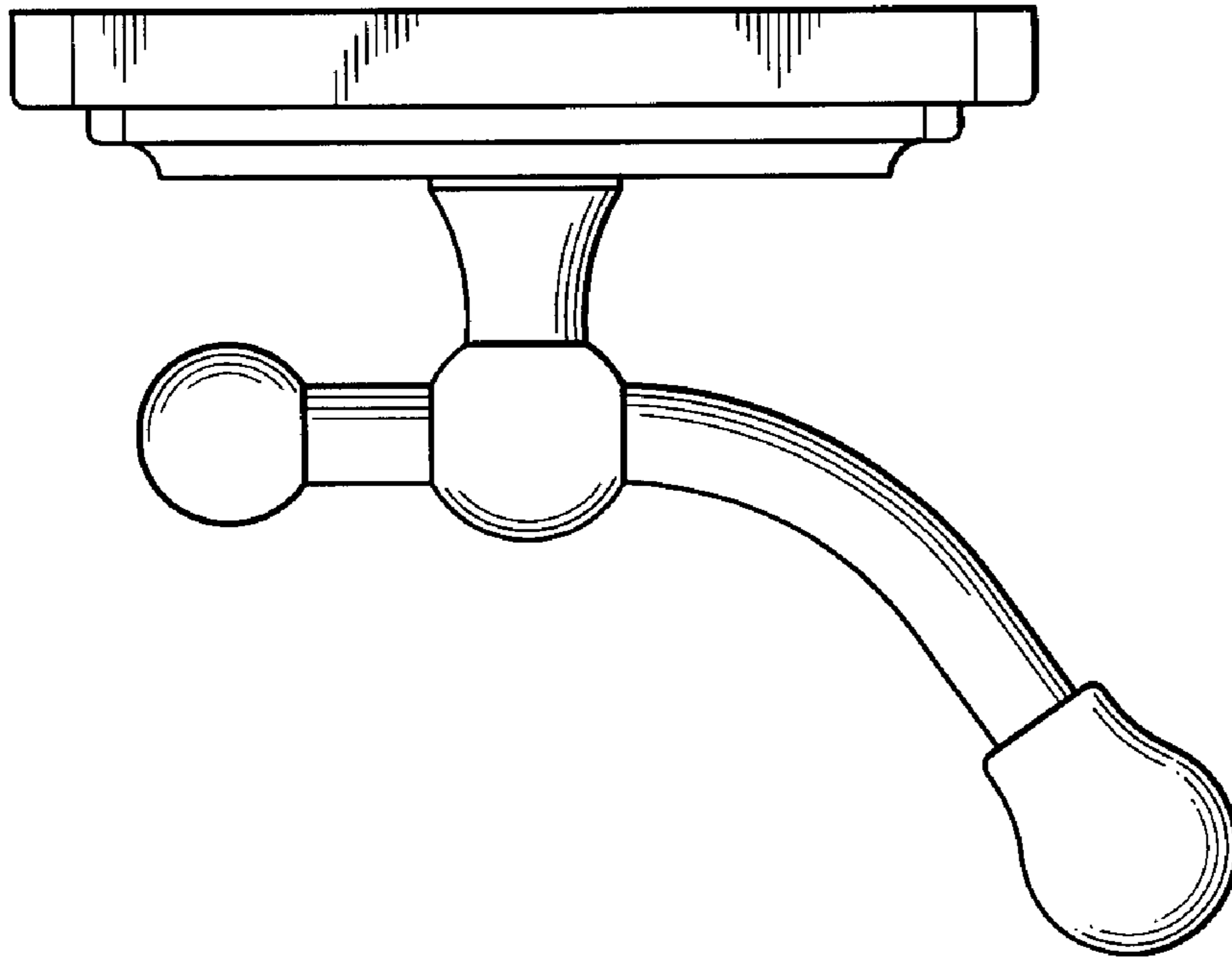


FIG. 5

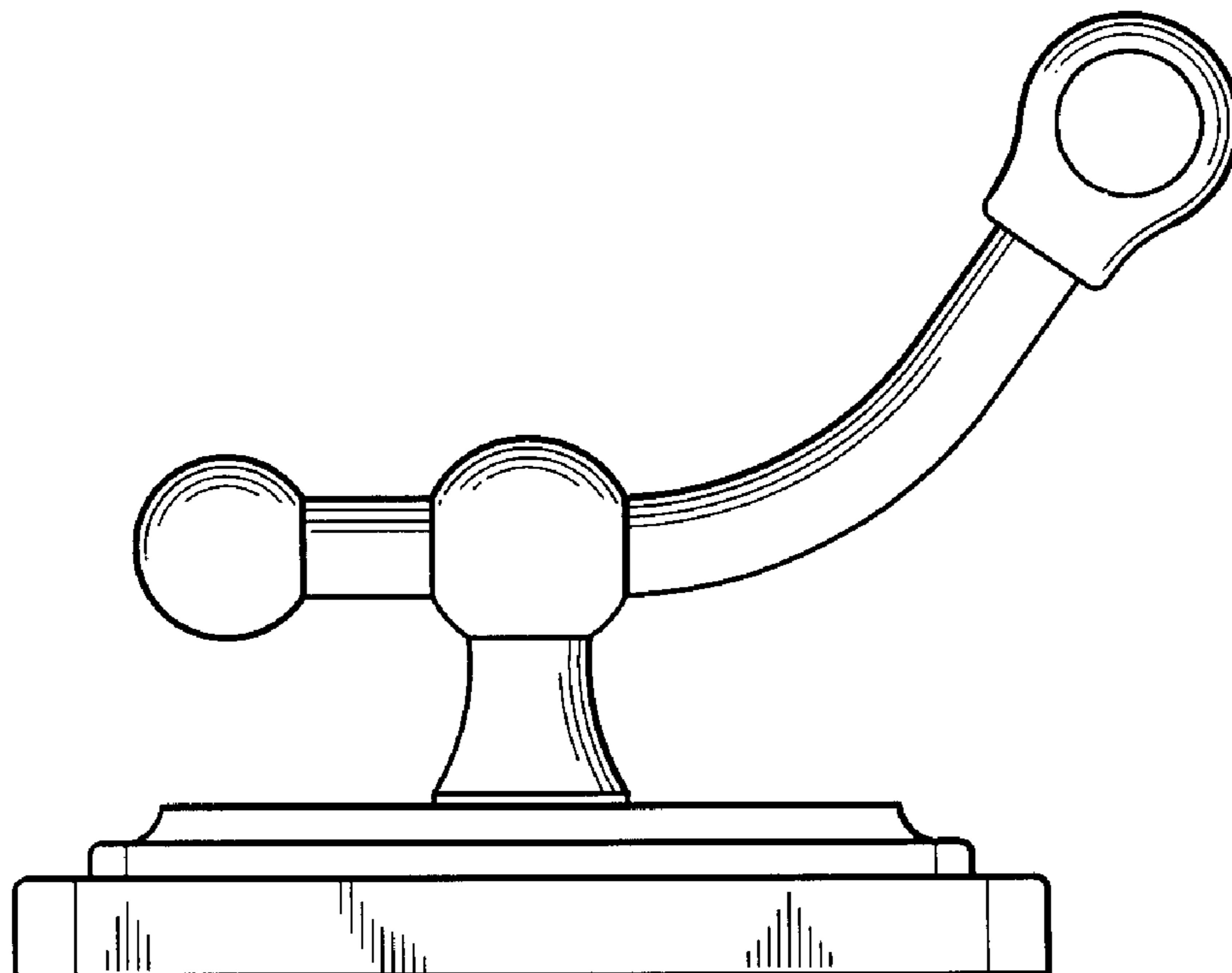


FIG. 4

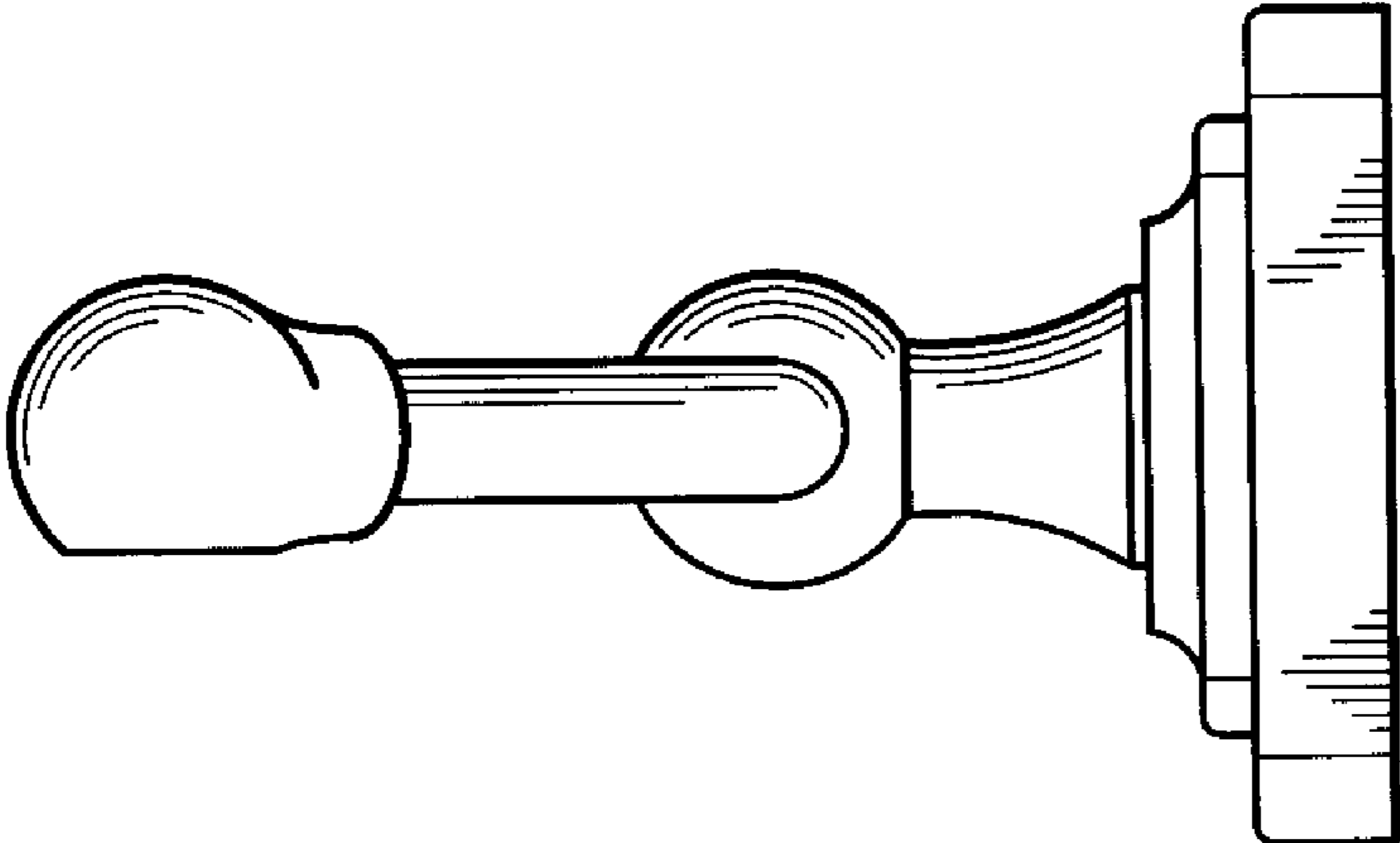


FIG. 7

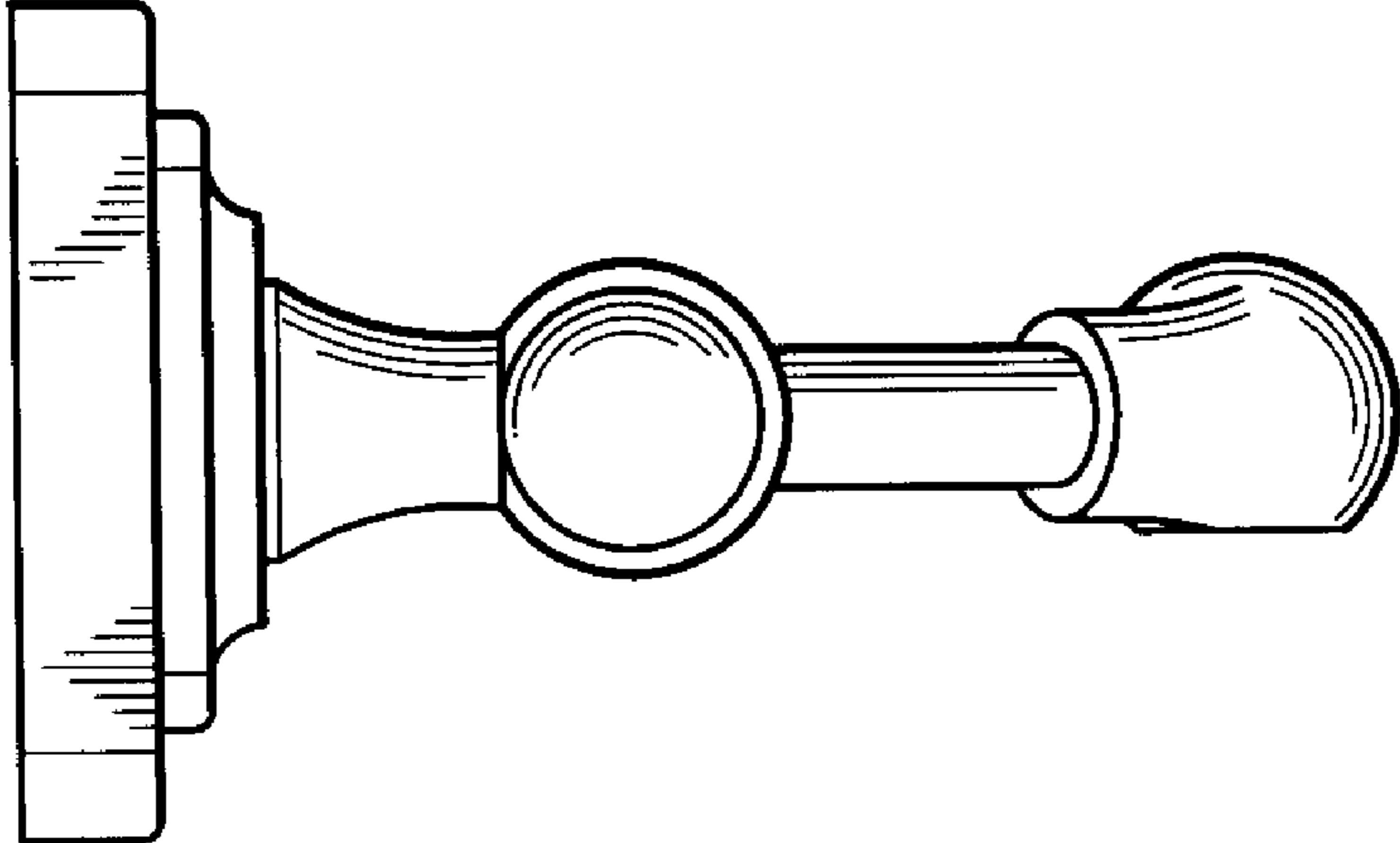


FIG. 6

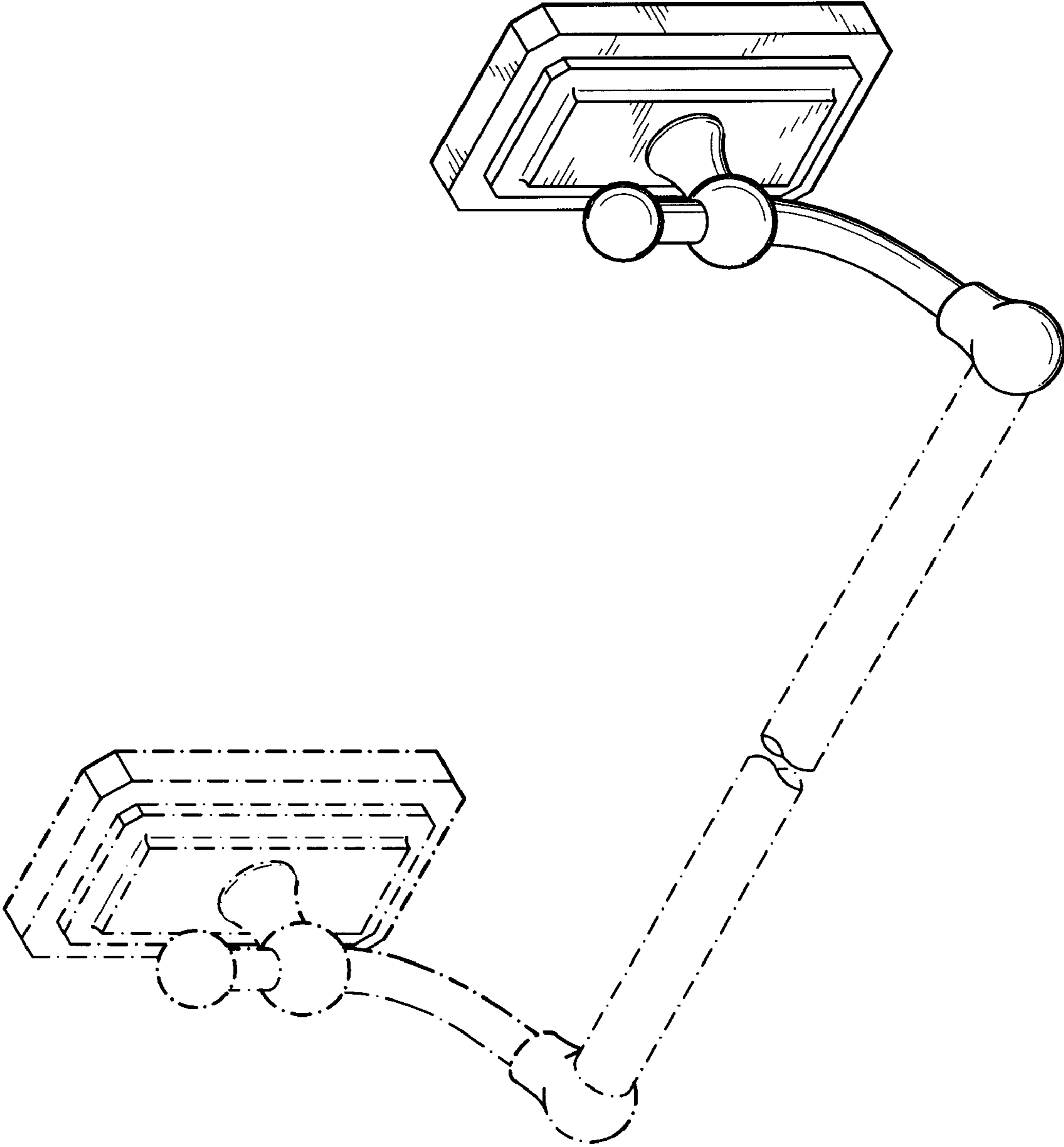


FIG. 8