



US00D516350S

(12) **United States Design Patent**  
**Chen**

(10) **Patent No.:** **US D516,350 S**

(45) **Date of Patent:** **\*\* Mar. 7, 2006**

(54) **TOWEL BAR**

(76) **Inventor:** **Lien-Fu Chen**, No.11, Lane 66, Fu Dong Street, Fu Shan Li, Chung Hua City (TW)

(\*\*) **Term:** **14 Years**

(21) **Appl. No.:** **29/210,597**

(22) **Filed:** **Aug. 3, 2004**

(51) **LOC (8) Cl.** ..... **06-04**

(52) **U.S. Cl.** ..... **D6/549**

(58) **Field of Classification Search** ..... D6/546-550, D6/518-519, 522-524; D8/300, 303, 315-321; 108/28-29; 248/175, 176.1, 251, 302; 16/110.1, 16/412, 415; 242/570, 590, 595-598; 211/13.1, 211/16, 60.1, 100, 86.01, 87.01, 88.01, 88.04, 211/105.1, 105.2, 123, 182, 181.1  
See application file for complete search history.

(56) **References Cited**

**U.S. PATENT DOCUMENTS**

D394,970 S \* 6/1998 Ho ..... D6/549  
D455,034 S \* 4/2002 Ou-Young ..... D6/524

D478,447 S \* 8/2003 Hoernig ..... D6/549  
D478,759 S \* 8/2003 Hoernig ..... D6/549  
D492,529 S \* 7/2004 Chen ..... D6/549

\* cited by examiner

*Primary Examiner*—Brian N Vinson  
(74) *Attorney, Agent, or Firm*—Charles E. Baxley

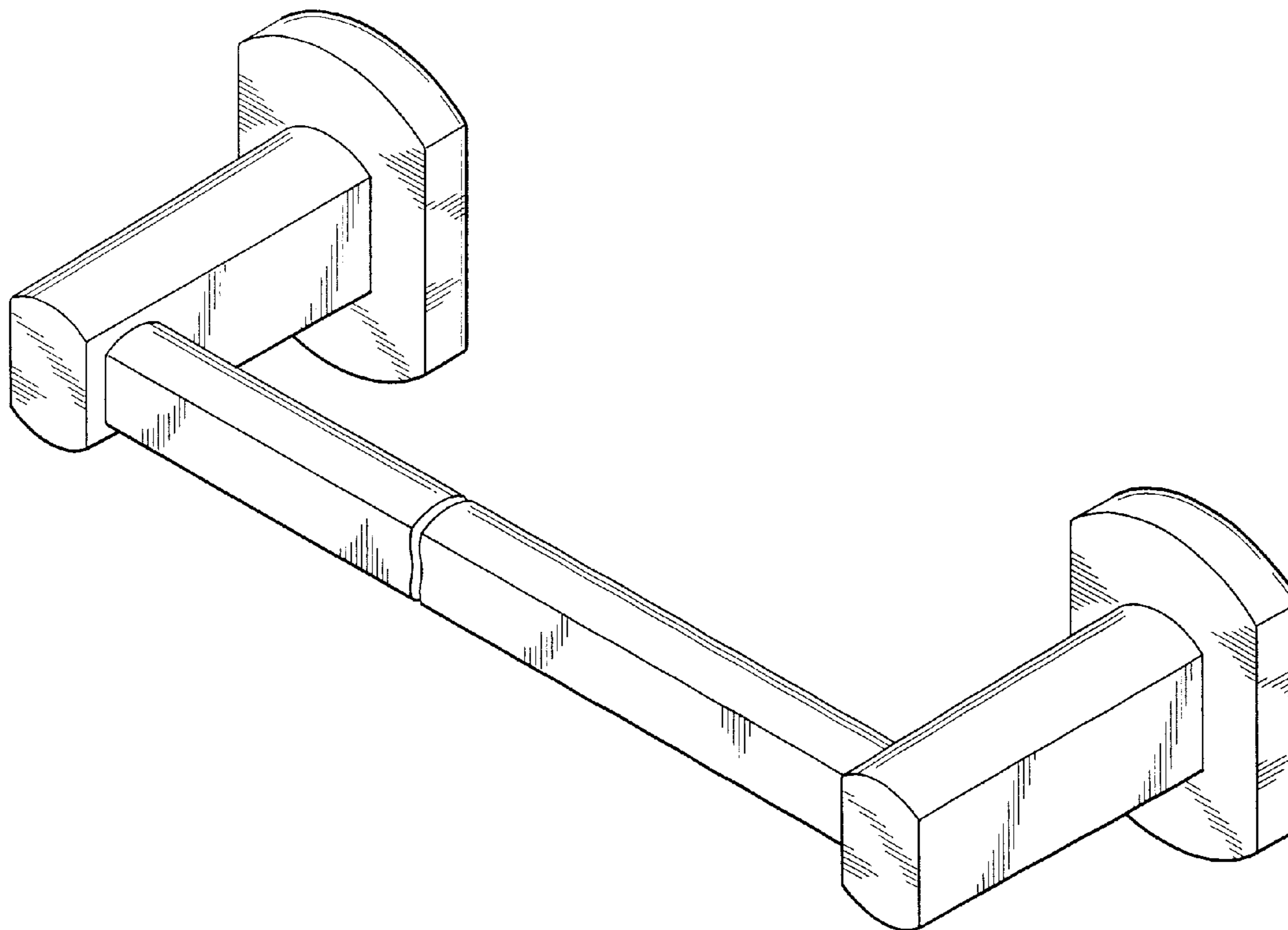
(57) **CLAIM**

The ornamental design for a towel bar, as shown and described.

**DESCRIPTION**

FIG. 1 is a perspective view of a towel bar showing my new design;  
FIG. 2 is a front elevational view thereof;  
FIG. 3 is a rear elevational view thereof;  
FIG. 4 is a left side elevational view thereof;  
FIG. 5 is a right side elevational view thereof;  
FIG. 6 is a top plan view thereof; and,  
FIG. 7 is a bottom plan view thereof.  
The broken-away towel bar in the views is understood to indicate indeterminate length.

**1 Claim, 4 Drawing Sheets**



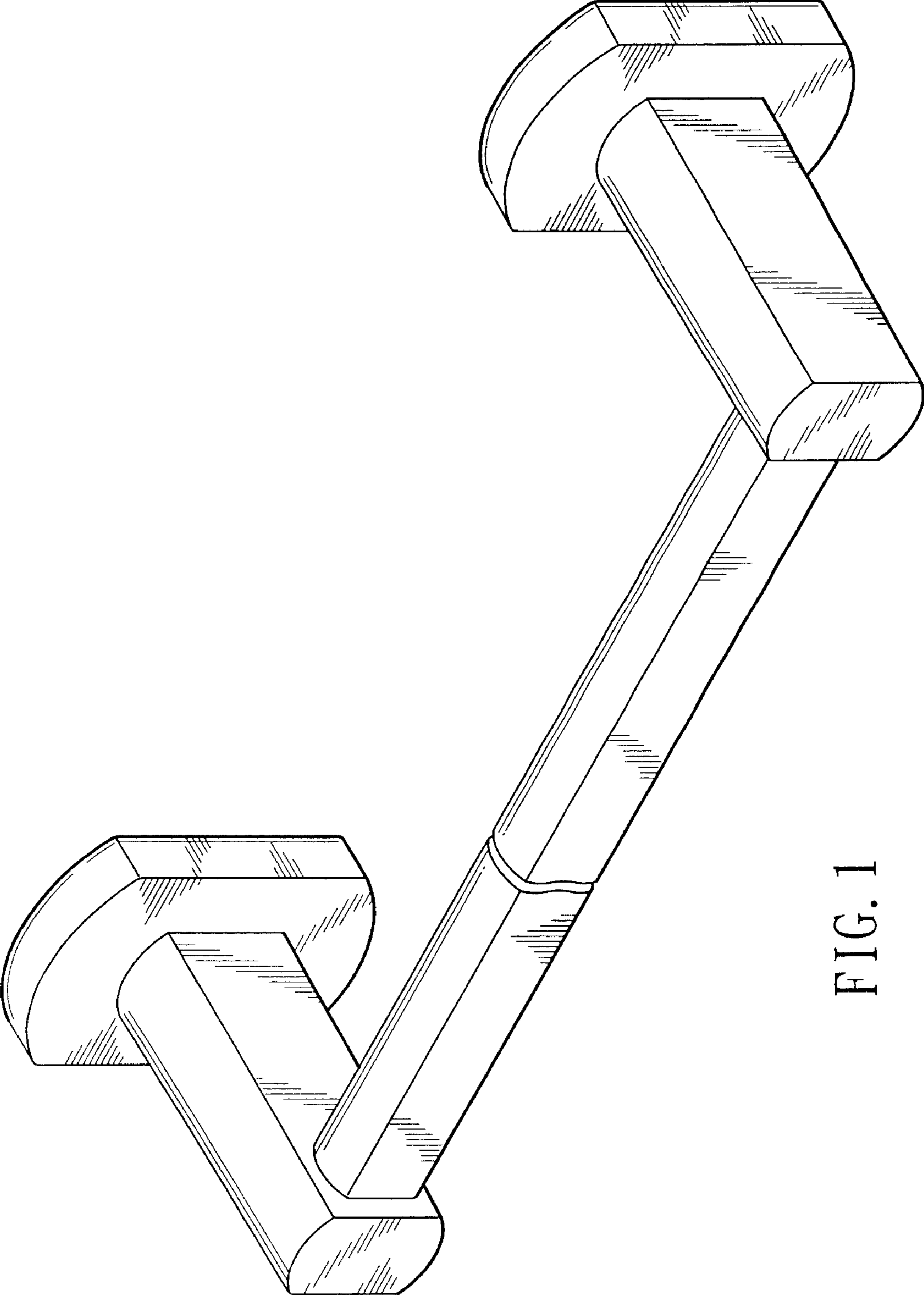


FIG. 1

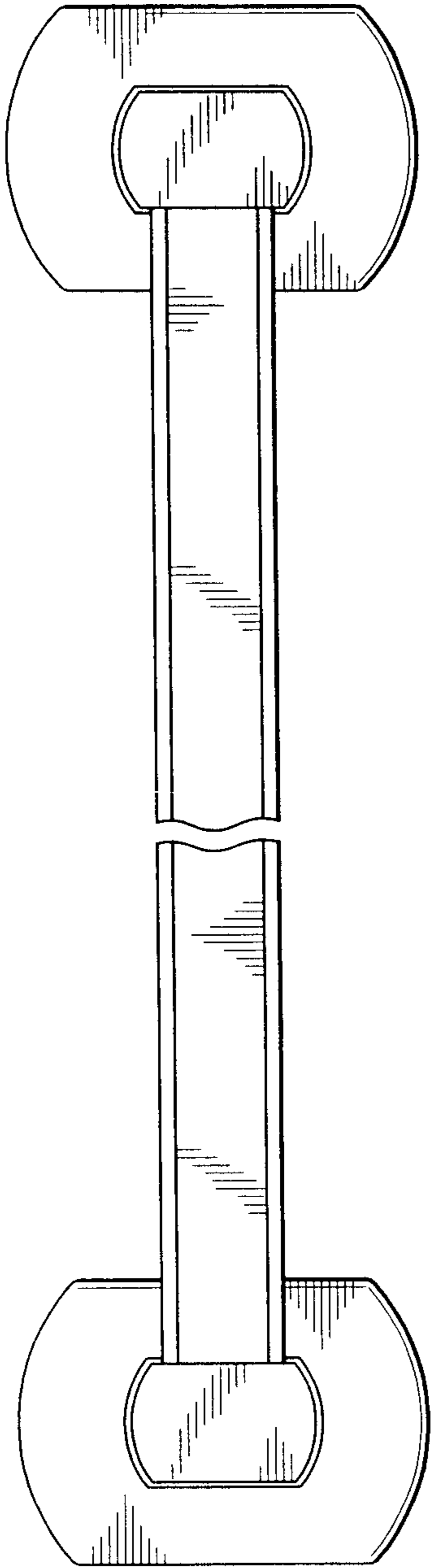


FIG. 2

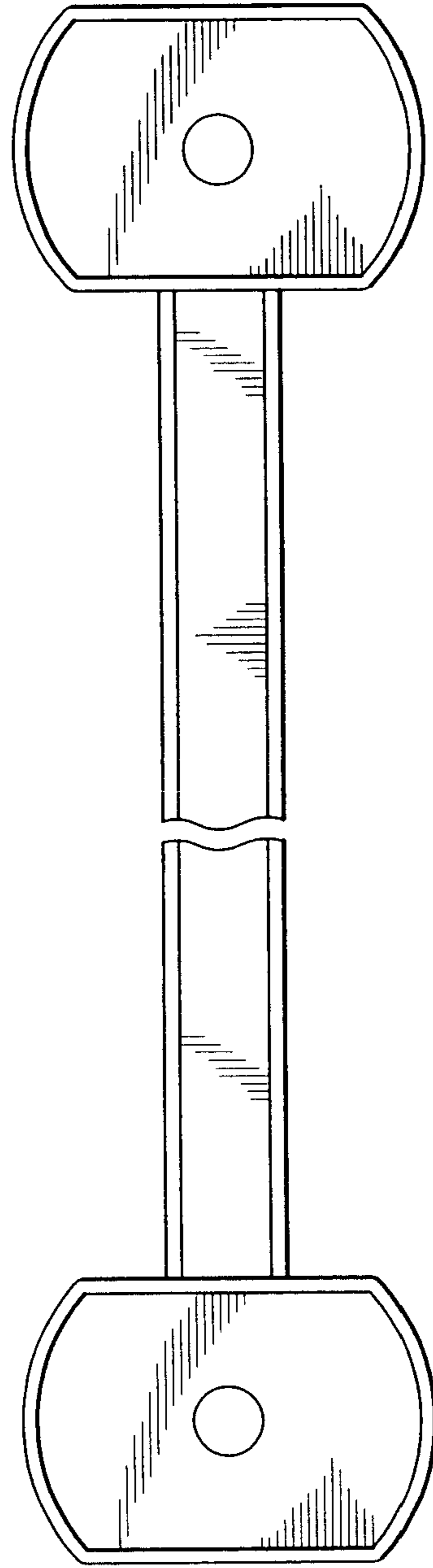


FIG. 3

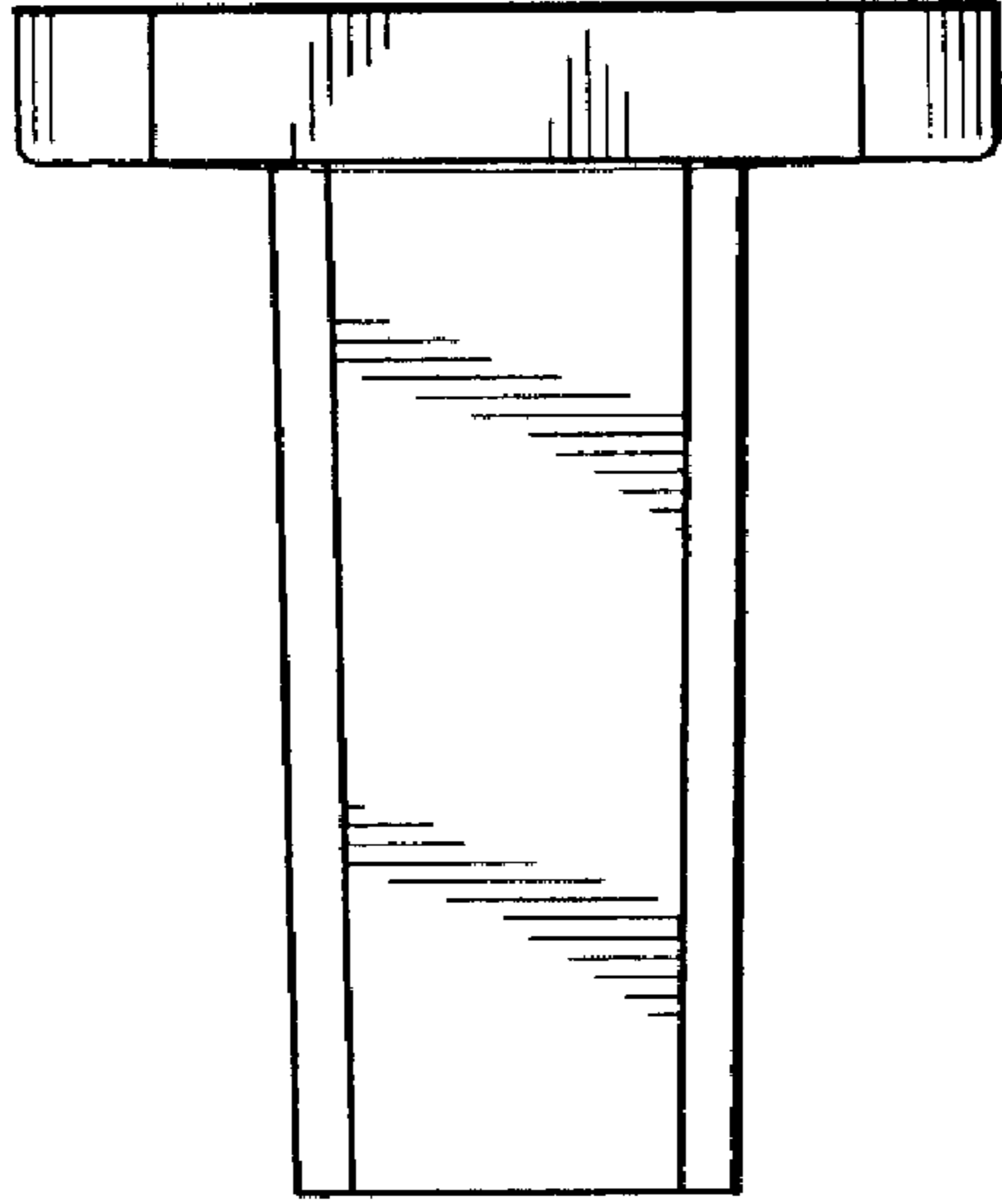


FIG. 5

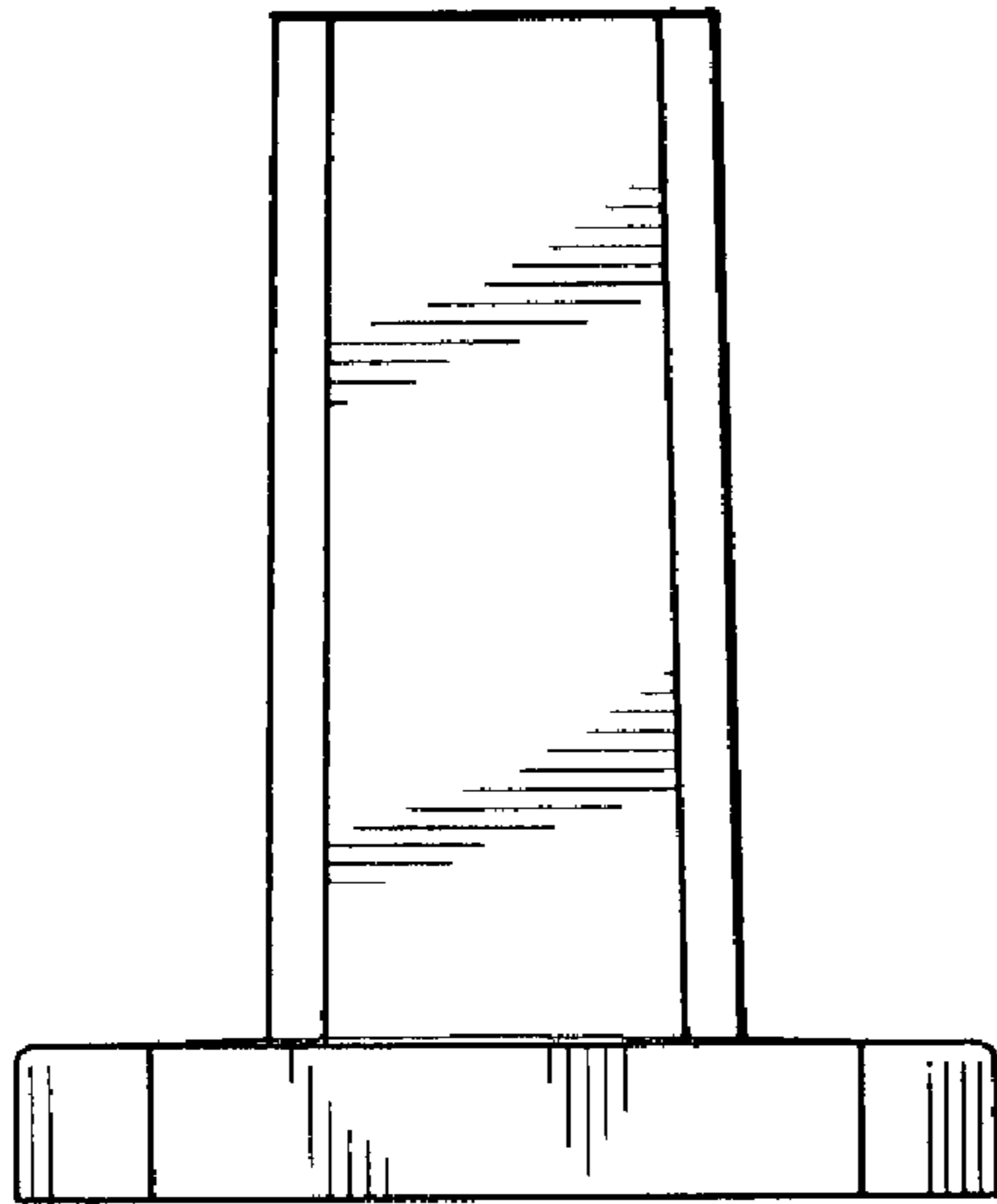


FIG. 4

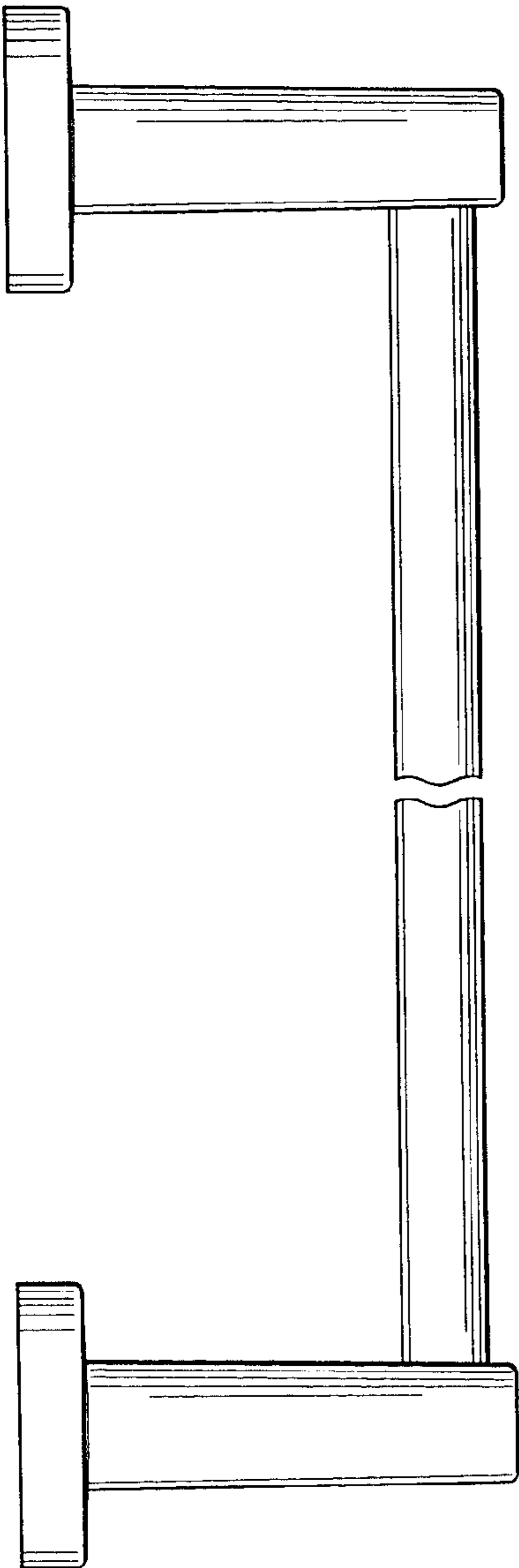


FIG. 6

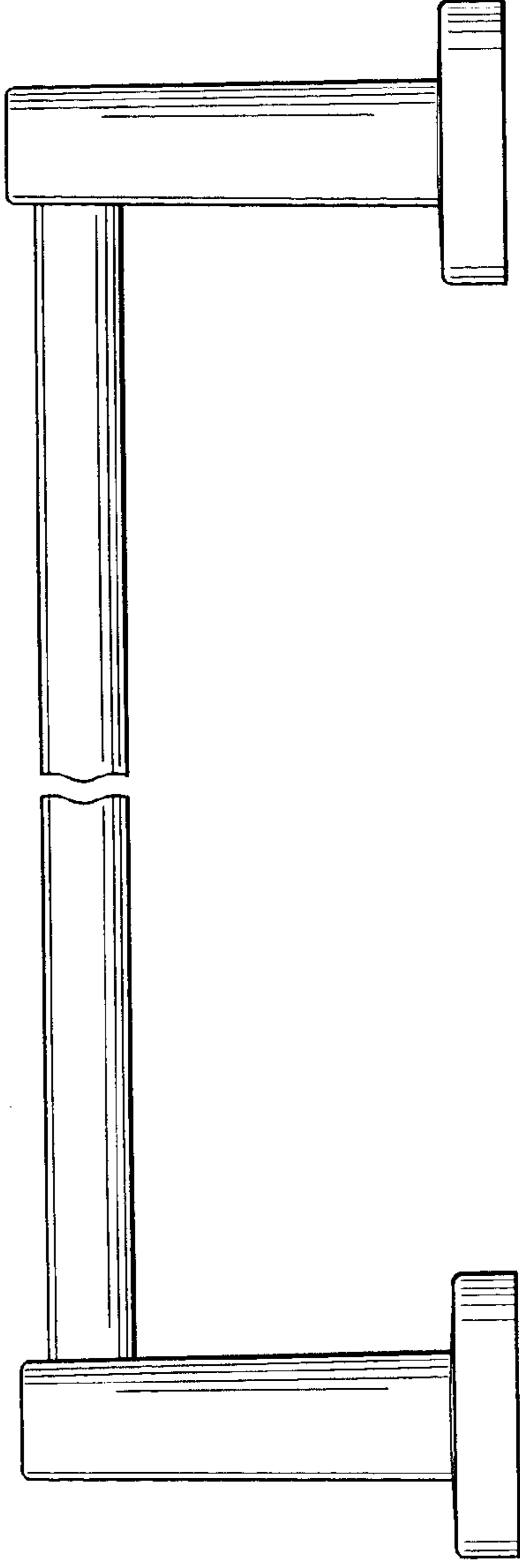


FIG. 7