

US00D516349S

(12) **United States Design Patent**  
**Ferrer Beltran**

(10) **Patent No.:** **US D516,349 S**  
(45) **Date of Patent:** **\*\* Mar. 7, 2006**

(54) **TOWEL RAIL FOR BATHROOM**  
(75) **Inventor:** **Jose M. Ferrer Beltran, Bonrepos (ES)**  
(73) **Assignee:** **Ibergesfer, S.L. (ES)**  
(\*\*) **Term:** **14 Years**

(21) **Appl. No.:** **29/189,818**  
(22) **Filed:** **Sep. 10, 2003**

(30) **Foreign Application Priority Data**  
Mar. 10, 2003 (ES) ..... 156420

(51) **LOC (8) Cl.** ..... **06-04**  
(52) **U.S. Cl.** ..... **D6/549**  
(58) **Field of Classification Search** ..... D6/546-550,  
D6/518-519, 522-524; D8/300, 303, 315-321,  
D8/354, 363, 373, 380; 108/28-29; 211/13.1,  
211/16, 60.1, 86.01, 87.01, 88.01, 88.04,  
211/100, 105.1-105.2, 123, 126.1, 133.6,  
211/134, 181.1, 182; 248/175, 176.1, 200,  
248/251, 302, 309.1; 16/110.1, 412, 415;  
242/570, 590, 595-598; 206/389, 557  
See application file for complete search history.

(56) **References Cited**  
**U.S. PATENT DOCUMENTS**  
D392,139 S \* 3/1998 Wu ..... D6/549

D424,352 S \* 5/2000 Roth et al. .... D6/549  
D452,100 S \* 12/2001 Gilbert ..... D6/549  
D455,592 S \* 4/2002 Ou-Young ..... D6/549  
D472,417 S \* 4/2003 Hunt ..... D6/549  
D477,740 S \* 7/2003 Gilbert ..... D6/549  
D478,759 S \* 8/2003 Hoernig ..... D6/549  
D483,585 S \* 12/2003 Chen ..... D6/549  
D492,530 S \* 7/2004 Chen ..... D6/549  
D503,061 S \* 3/2005 Fuchs ..... D6/549

\* cited by examiner

*Primary Examiner*—Brian N Vinson  
(74) *Attorney, Agent, or Firm*—Lackenbach Siegel, LLP

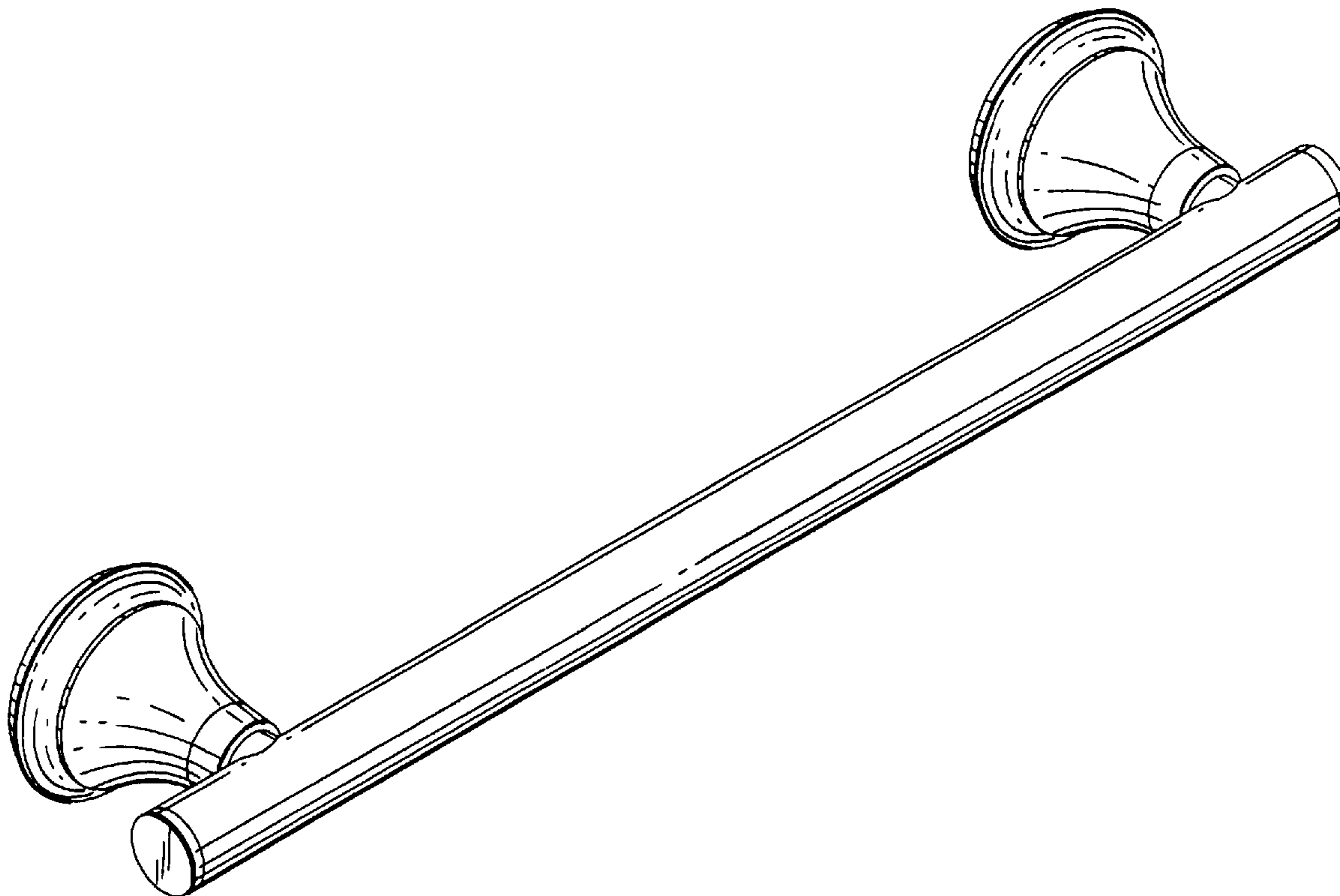
(57) **CLAIM**

The ornamental design for the towel rail for bathroom, as shown and described.

**DESCRIPTION**

FIG. 1 is a right or left side elevational view of the towel rail; FIG. 2 is a front elevational view of the towel rail of FIG. 1; FIG. 3 is a top or bottom view of the towel rail of FIG. 1; and, FIG. 4 is a perspective exploded view of the towel rail of FIG. 1.

**1 Claim, 2 Drawing Sheets**



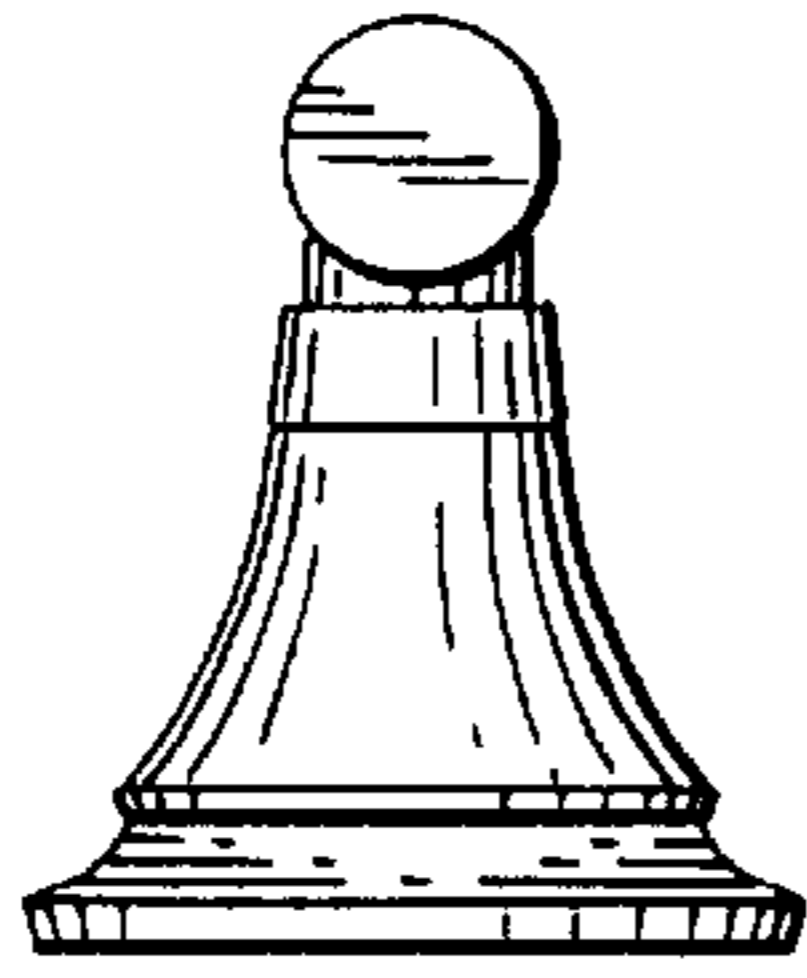


FIG. 1

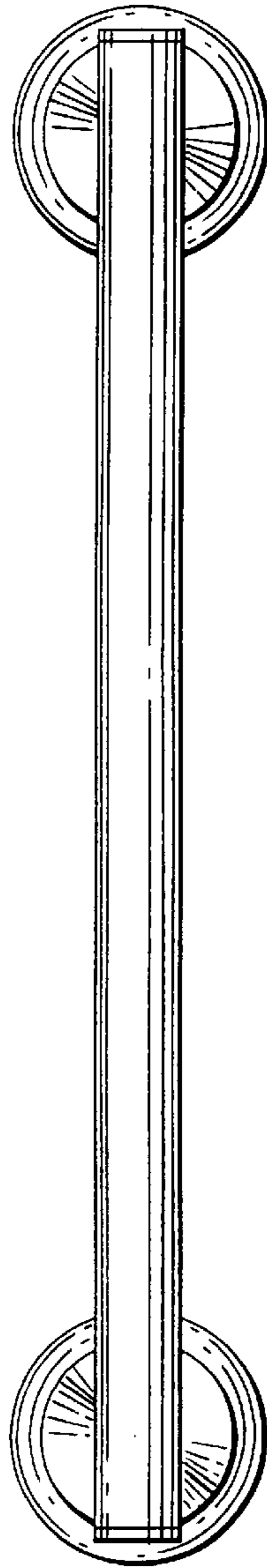


FIG. 2

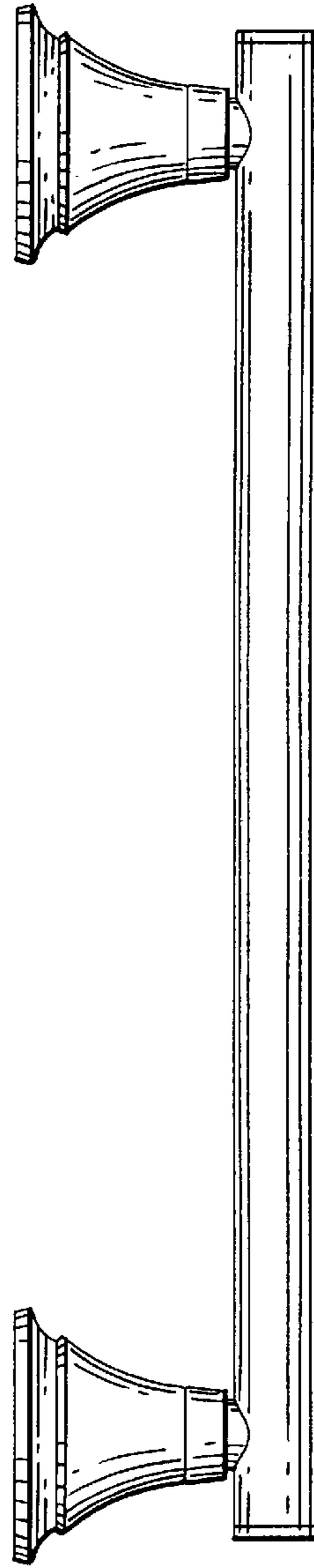


FIG. 3

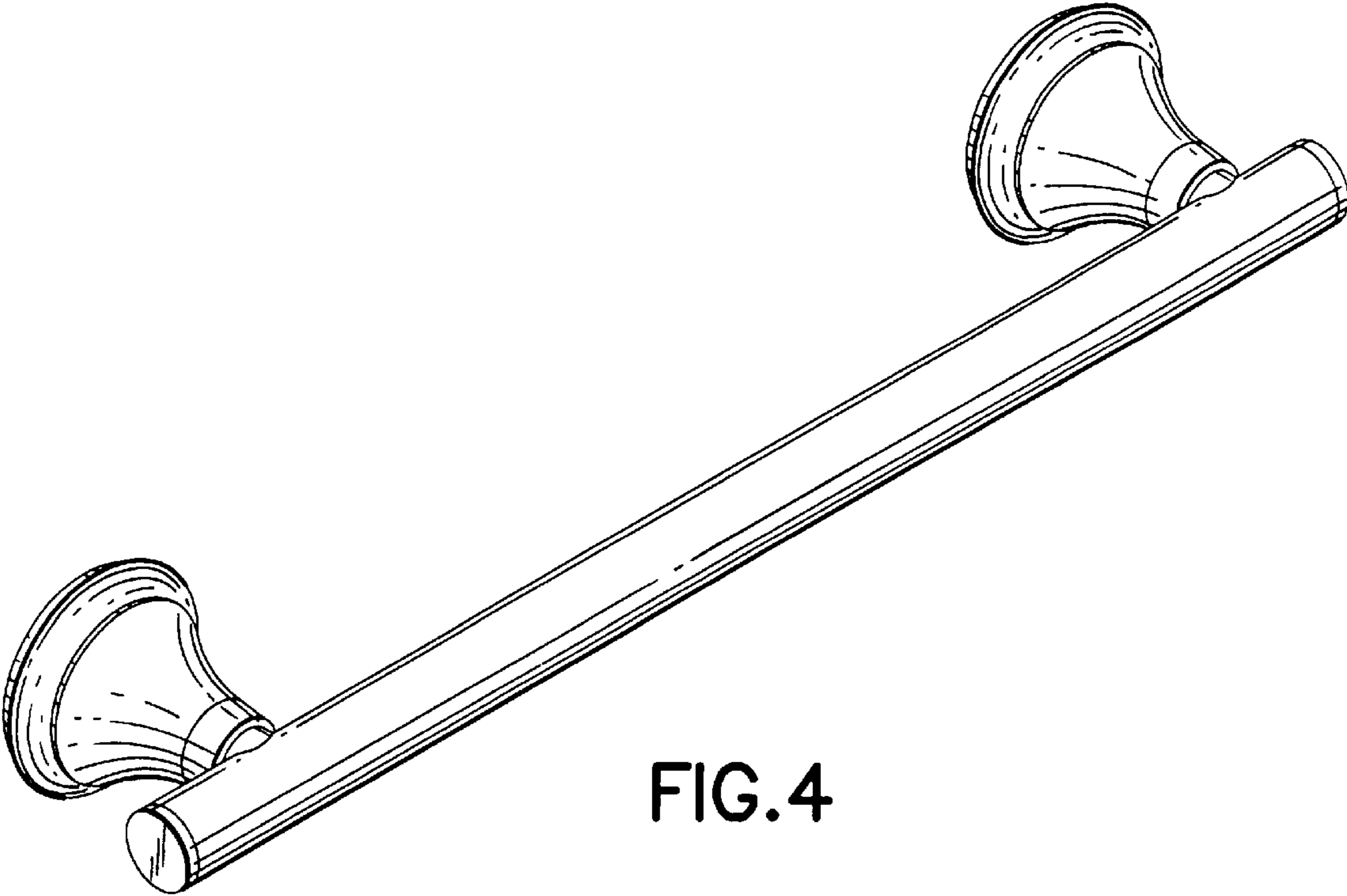


FIG. 4