



US00D516348S

(12) **United States Design Patent**
Satterthwaite

(10) **Patent No.:** **US D516,348 S**
(45) **Date of Patent:** **** Mar. 7, 2006**

(54) **SUSPENDED TRUSS SHELVING SYSTEM**

D253,505 S * 11/1979 LeSage et al. D6/514

(76) **Inventor:** **Edward W. Satterthwaite**, 142 N.
Bread St., Philadelphia, PA (US) 19106

* cited by examiner

Primary Examiner—Brian N Vinson

(**) **Term:** **14 Years**

(74) *Attorney, Agent, or Firm*—Duane Morris LLP

(21) **Appl. No.:** **29/187,996**

(57) **CLAIM**

(22) **Filed:** **Aug. 11, 2003**

The ornamental design of an suspended truss shelving system, as shown and described.

(51) **LOC (8) Cl.** **06-06**

DESCRIPTION

(52) **U.S. Cl.** **D6/514**

(58) **Field of Classification Search** D6/512-514,
D6/552, 553, 567, 574; 108/59, 64; 211/86.01,
211/90.01, 90.03, 113, 119, 126.1, 134, 153,
211/181.1, 182

FIG. 1 is a front perspective view of the suspended truss shelving system according to a further embodiment of the inventive design;

FIG. 2 is a top plan view of the embodiment of FIG 1;

FIG. 3 is a front elevation view;

FIG. 4 is a side elevation, from the right in FIG. 3, the opposite side being a mirror image of that shown;

FIG. 5 is a bottom plan view; and,

FIG. 6 is a rear elevation view.

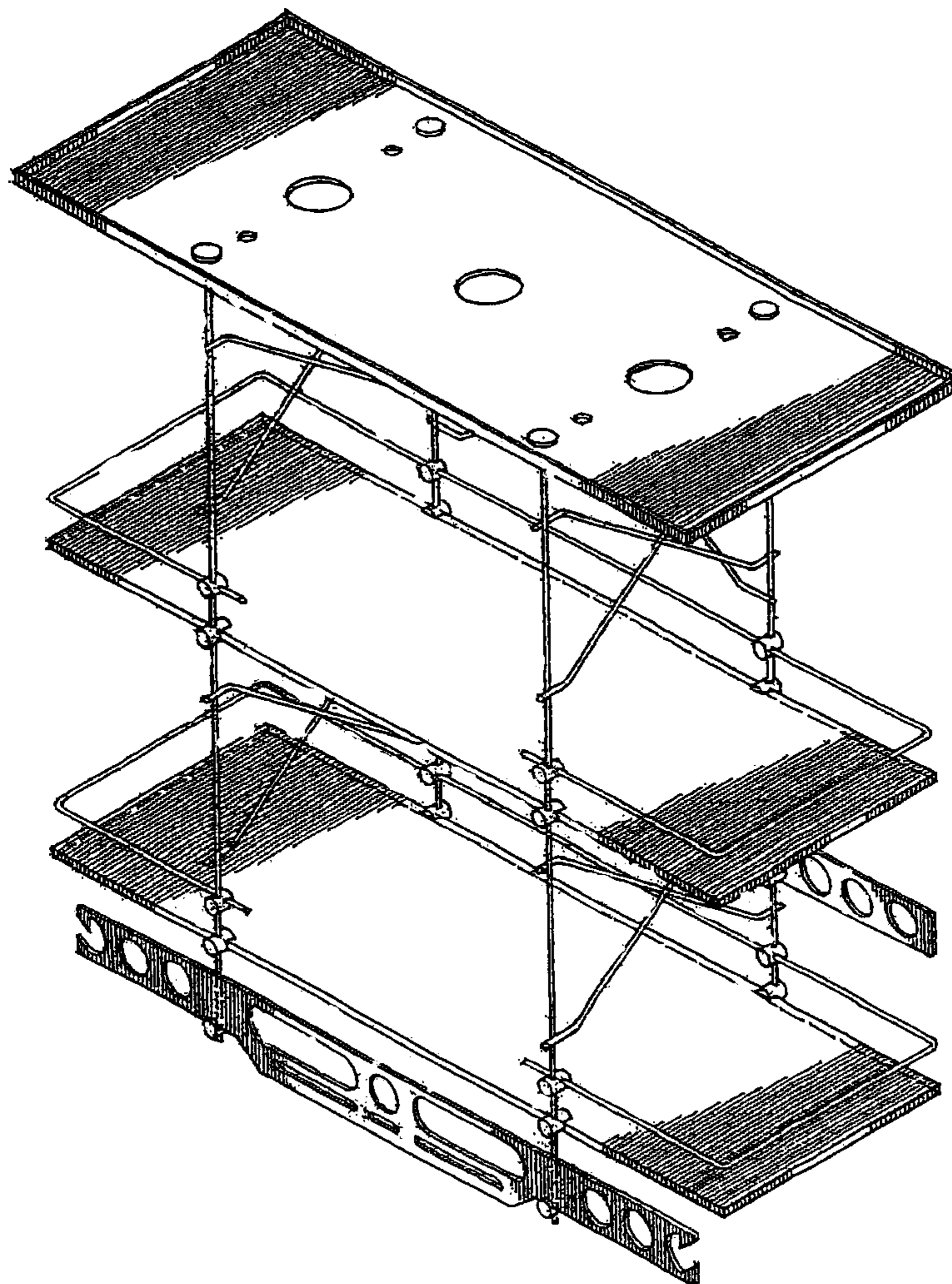
See application file for complete search history.

(56) **References Cited**

U.S. PATENT DOCUMENTS

D30,064 S * 1/1899 Andersen D6/514
D136,722 S * 11/1943 Waterman D6/514

1 Claim, 3 Drawing Sheets



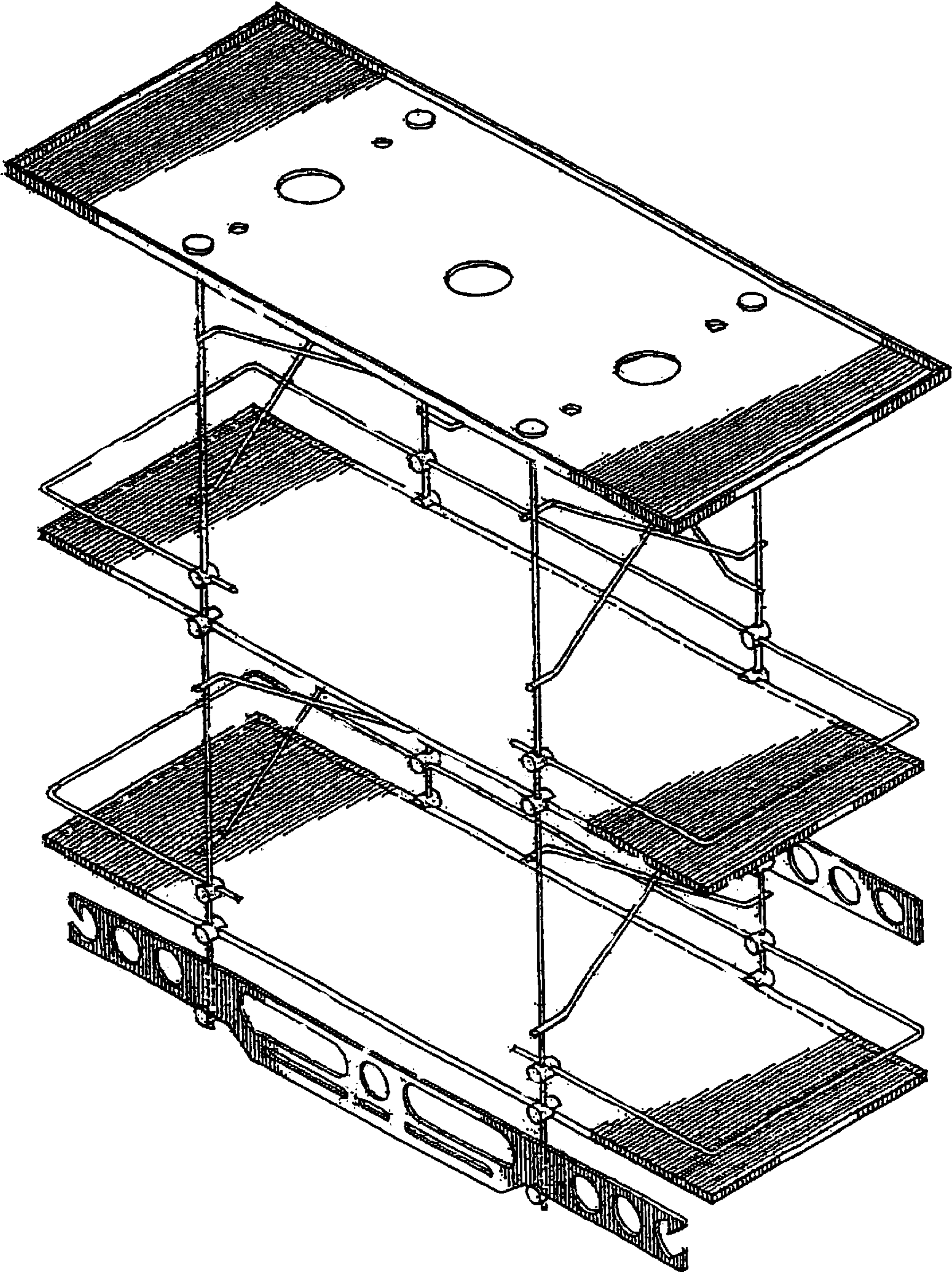


FIG. 1

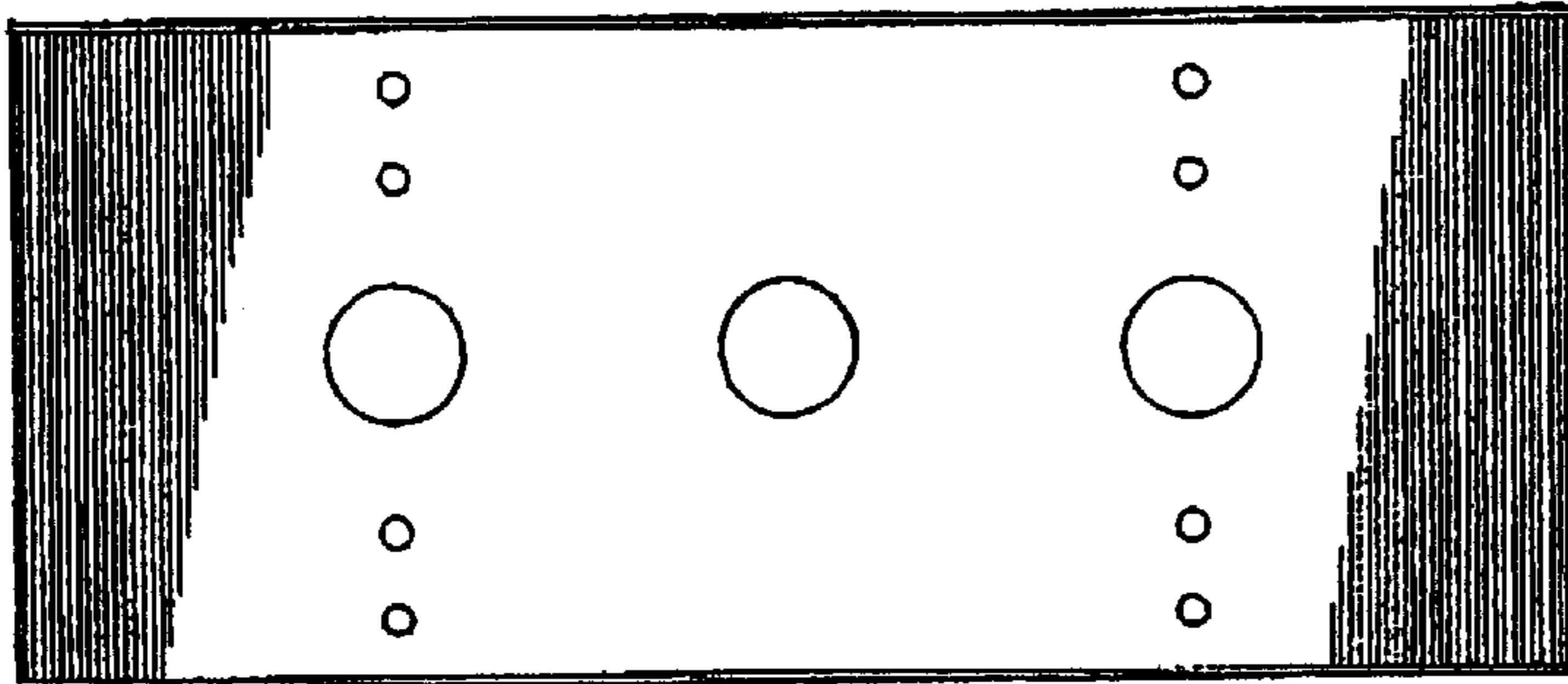


FIG. 2

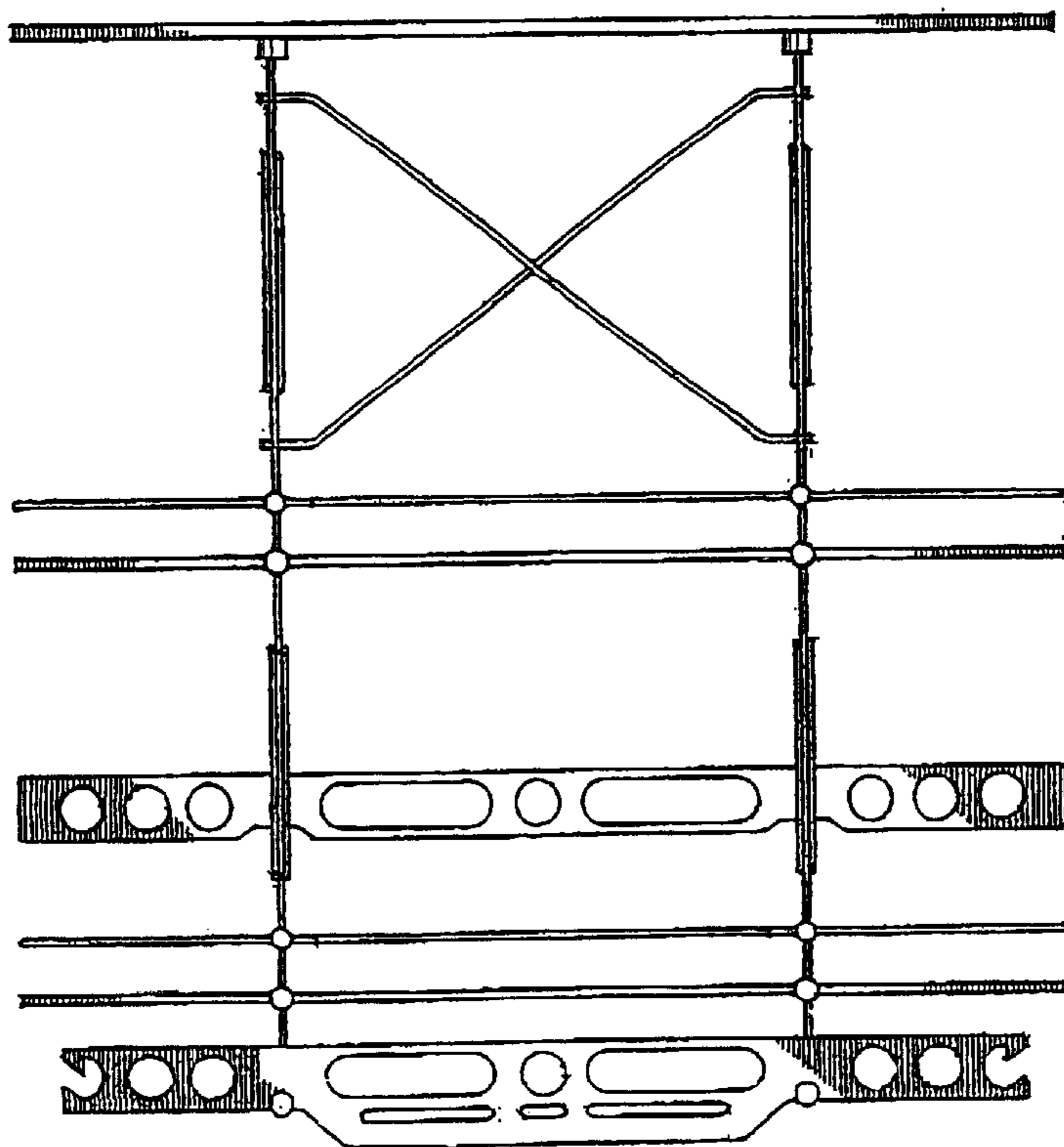


FIG. 3

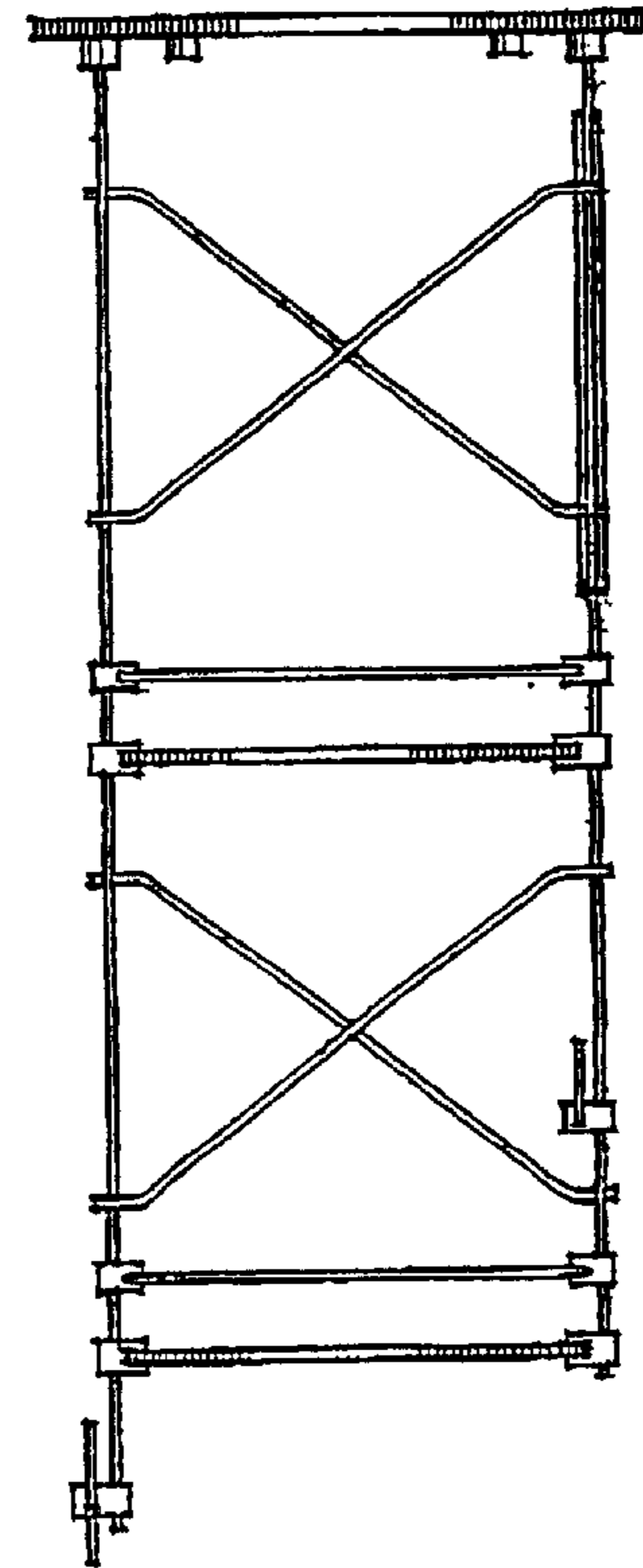


FIG. 4

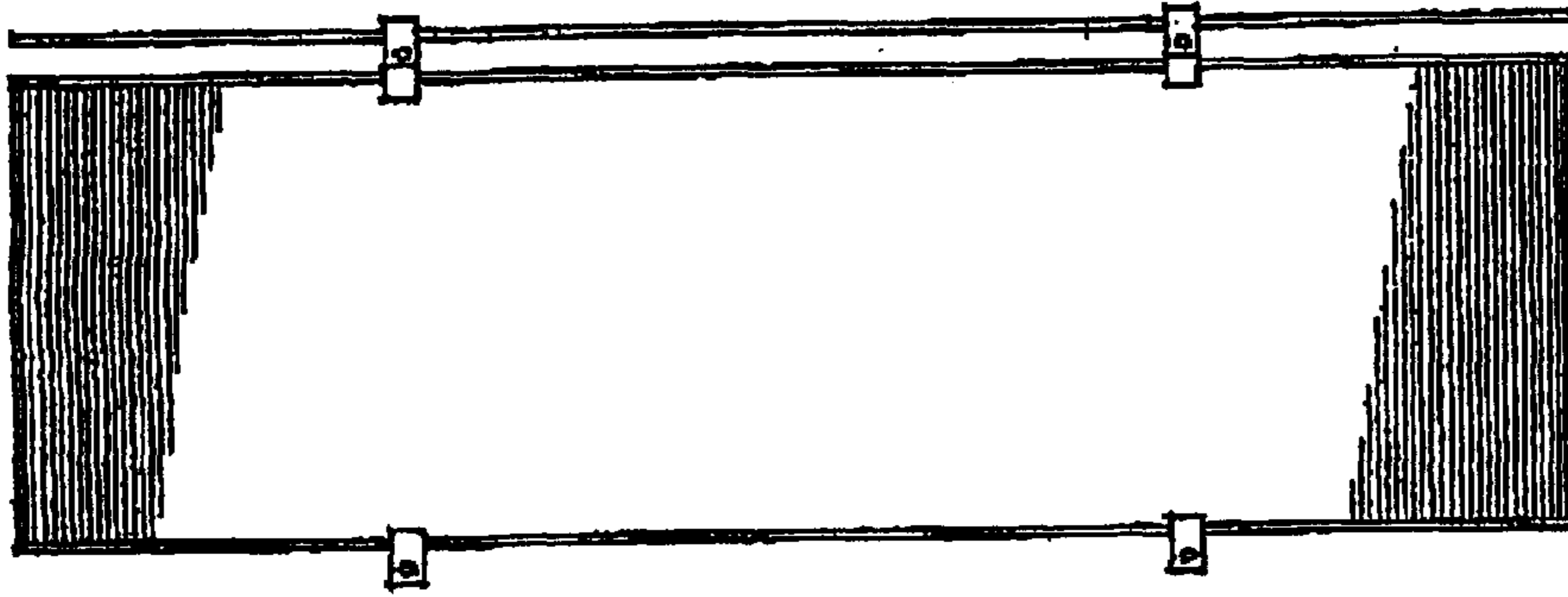


FIG. 5

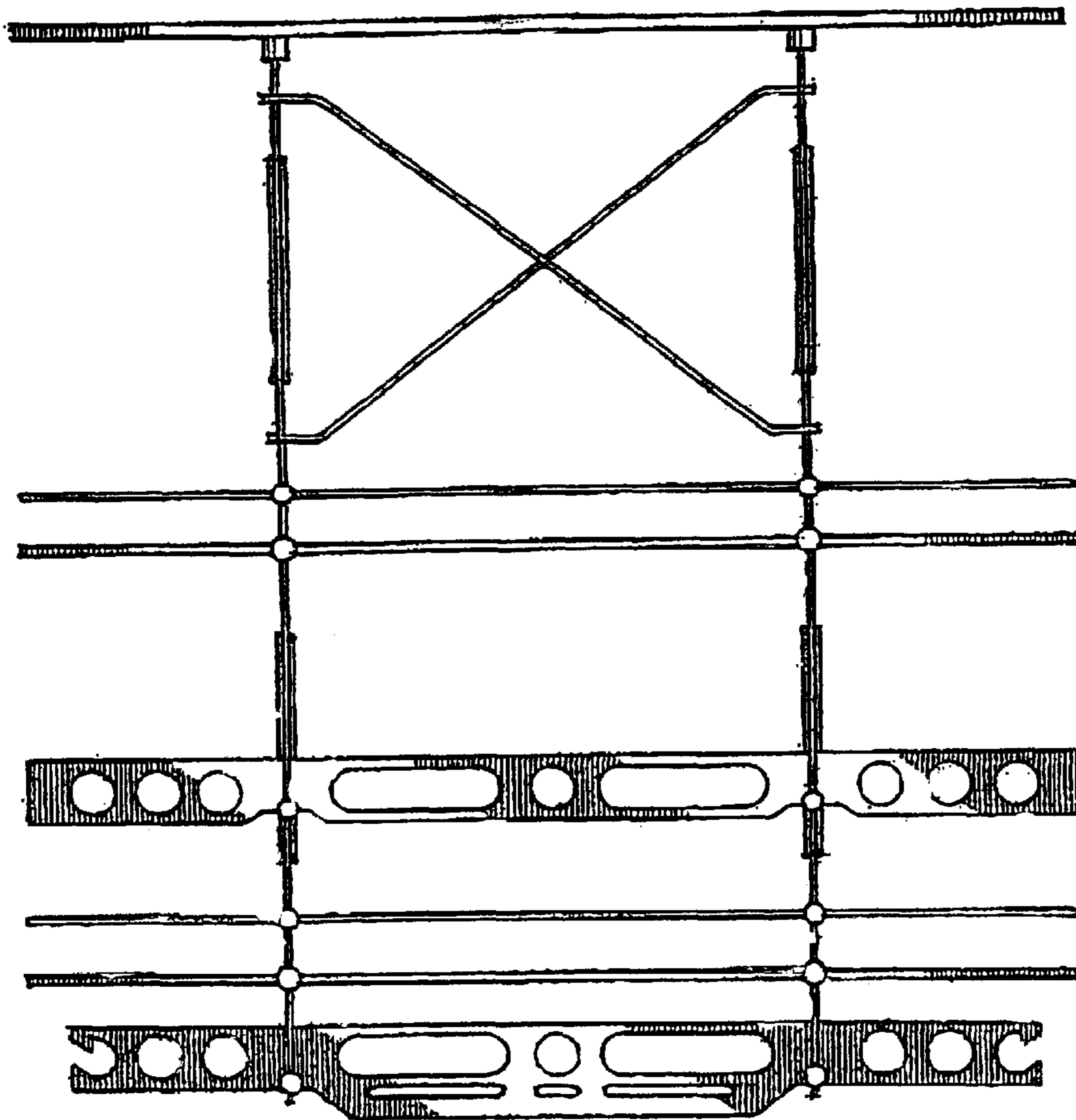


FIG. 6