



US00D516346S

(12) **United States Design Patent**  
**Cobb**

(10) **Patent No.:** **US D516,346 S**  
(45) **Date of Patent:** **\*\* Mar. 7, 2006**

(54) **SEAT CUSHIONS FOR A STADIUM SEAT**  
(75) **Inventor:** **Dwayne A. Cobb**, Versailles, KY (US)  
(73) **Assignee:** **Hunter Manufacturing Group**,  
Lexington, KY (US)  
(\*\*) **Term:** **14 Years**

D399,081 S \* 10/1998 Santopolo ..... D6/502  
D417,984 S \* 12/1999 Sand ..... D6/500  
6,197,140 B1 3/2001 Havens  
D462,862 S 9/2002 Thayer, Jr.  
6,502,902 B1 \* 1/2003 Romero ..... 297/352  
2005/0035639 A1 \* 2/2005 Jones ..... 297/352

\* cited by examiner

(21) **Appl. No.:** **29/187,751**  
(22) **Filed:** **Aug. 6, 2003**

*Primary Examiner*—Caron D. Veynar  
*Assistant Examiner*—Vy Nguyen  
(74) *Attorney, Agent, or Firm*—King & Schickli, PLLC

(51) **LOC (8) Cl.** ..... **06-01**  
(52) **U.S. Cl.** ..... **D6/502**  
(58) **Field of Classification Search** ..... D6/334–336,  
D6/365, 368, 500–502, 596, 601; 297/4,  
297/250.1, 252, 352, 382, 397  
See application file for complete search history.

(57) **CLAIM**

The ornamental design for a seat cushions for a stadium seat,  
as shown and described.

**DESCRIPTION**

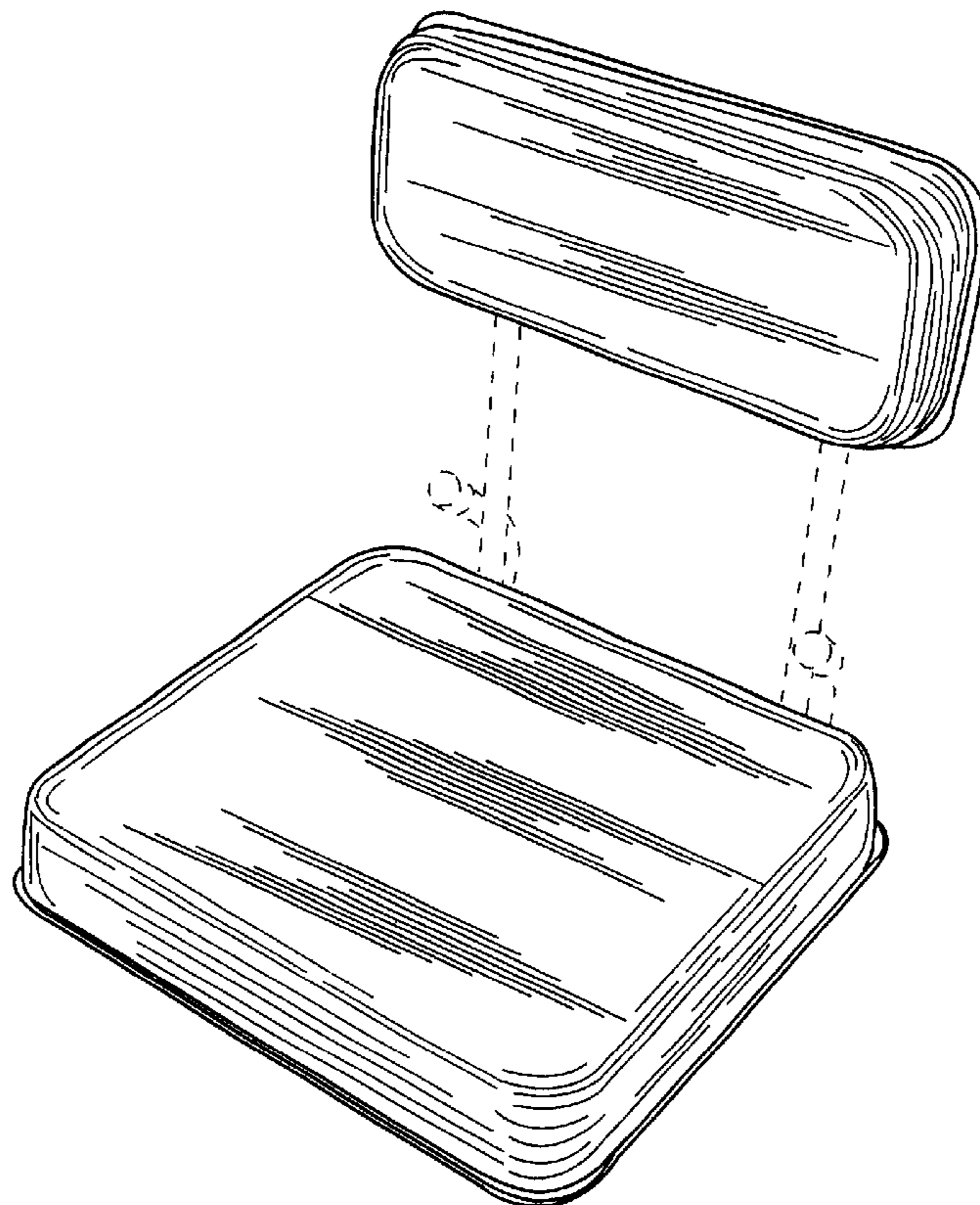
FIG. 1 is a perspective view of the seat cushions for a stadium seat of the present invention; FIG. 2 is a front elevational view thereof; FIG. 3 is a left side elevational view thereof; the opposite, right side view being a mirror image thereof; FIG. 4 is a rear elevational view thereof; FIG. 5 is a top plan view thereof; and, FIG. 6 is a bottom plan view thereof.

The broken line showing of the supporting frame assembly is for illustrative purposes only and forms no part of the claimed design.

(56) **References Cited**  
**U.S. PATENT DOCUMENTS**

2,137,312 A \* 11/1938 Thompson ..... 297/252  
2,491,784 A \* 12/1949 Thompson ..... 297/252  
D216,788 S \* 3/1970 Petersen ..... D6/368  
D241,700 S \* 10/1976 Wattie ..... D6/601  
4,764,241 A 8/1988 Makino  
D347,332 S \* 5/1994 Donnelly ..... D6/368  
D347,947 S \* 6/1994 Donnelly ..... D6/368  
D350,649 S \* 9/1994 Rozum ..... D6/335  
5,533,219 A \* 7/1996 Meyers ..... 297/250.1

**1 Claim, 3 Drawing Sheets**



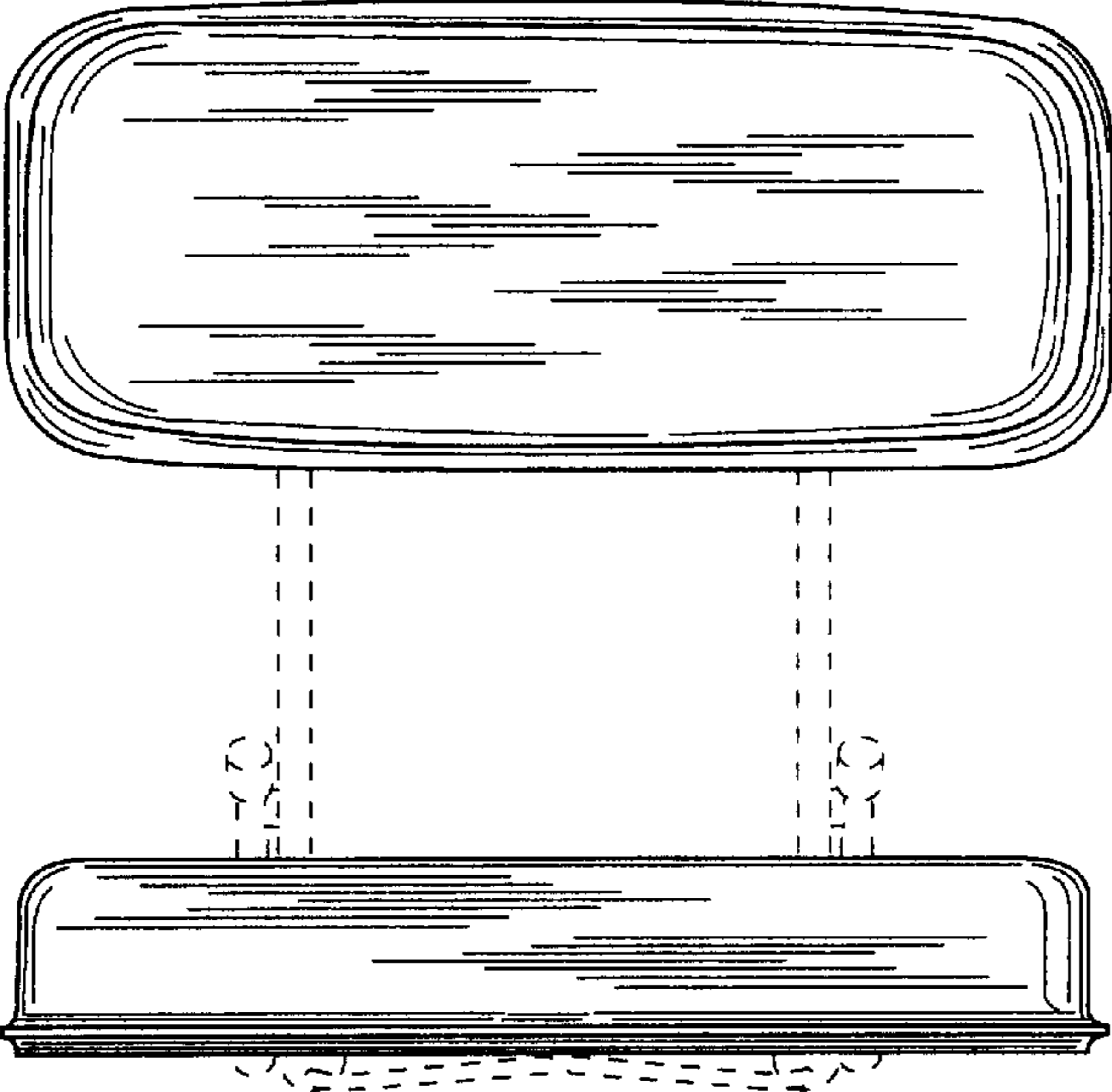
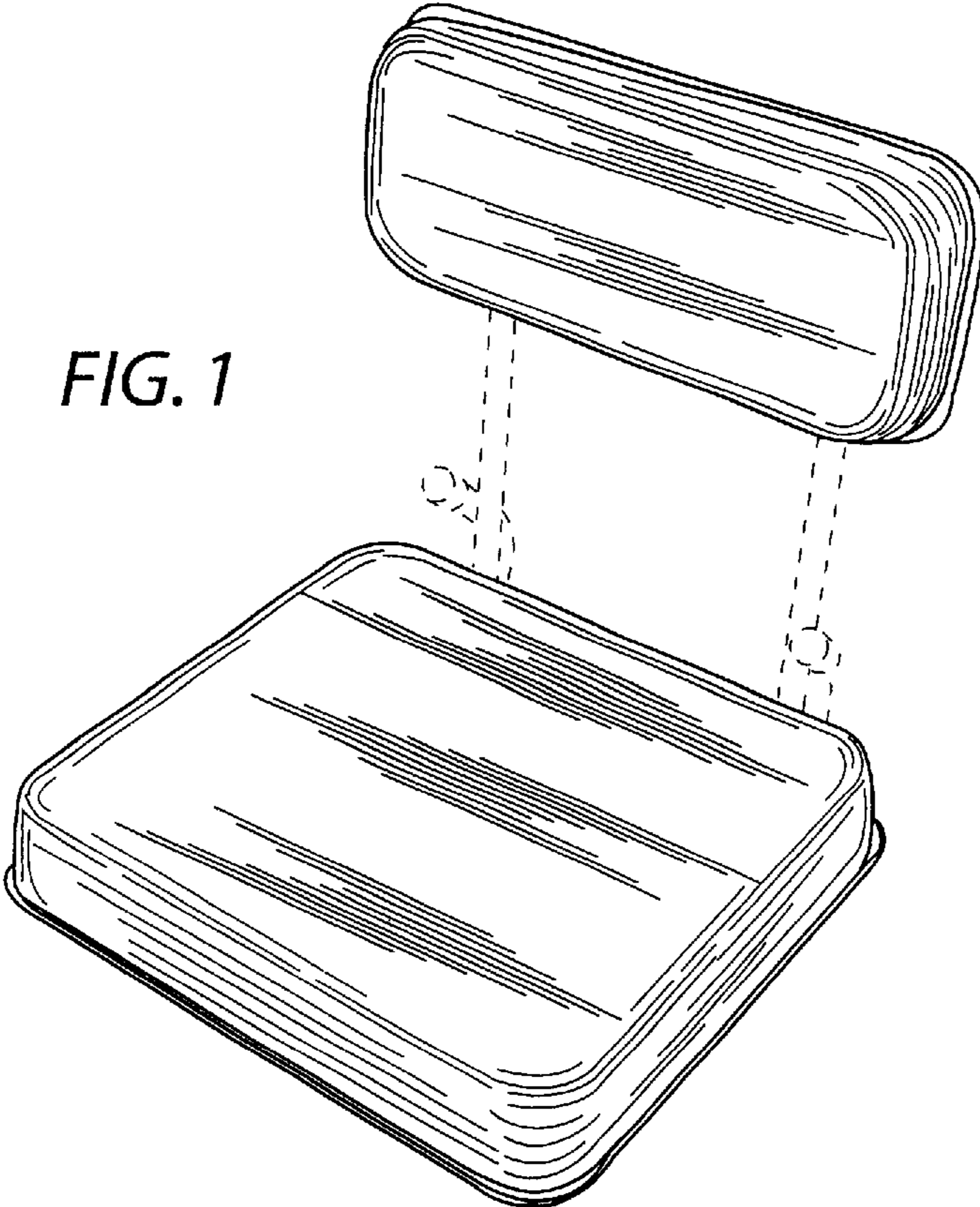


FIG. 2

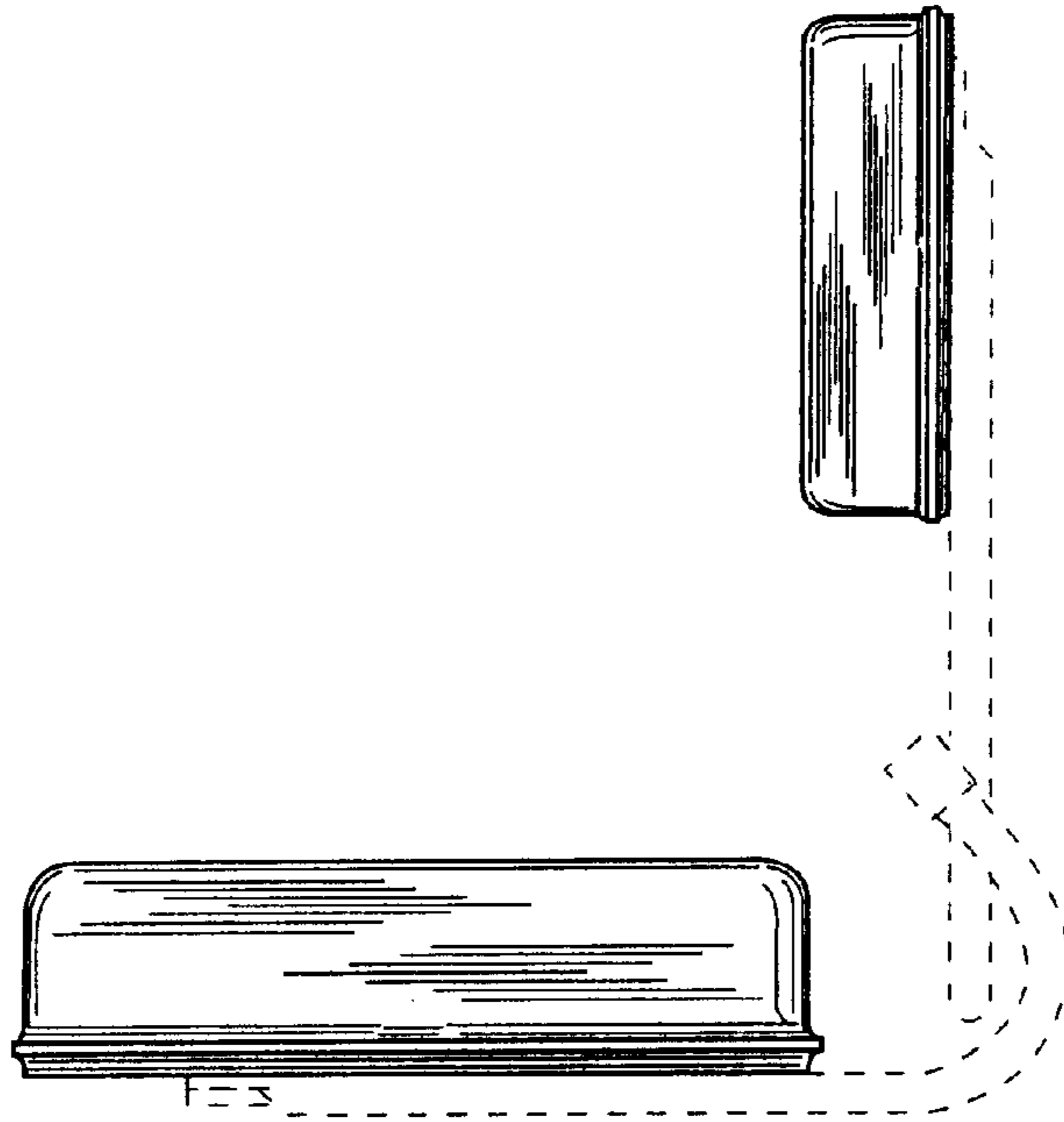


FIG. 3

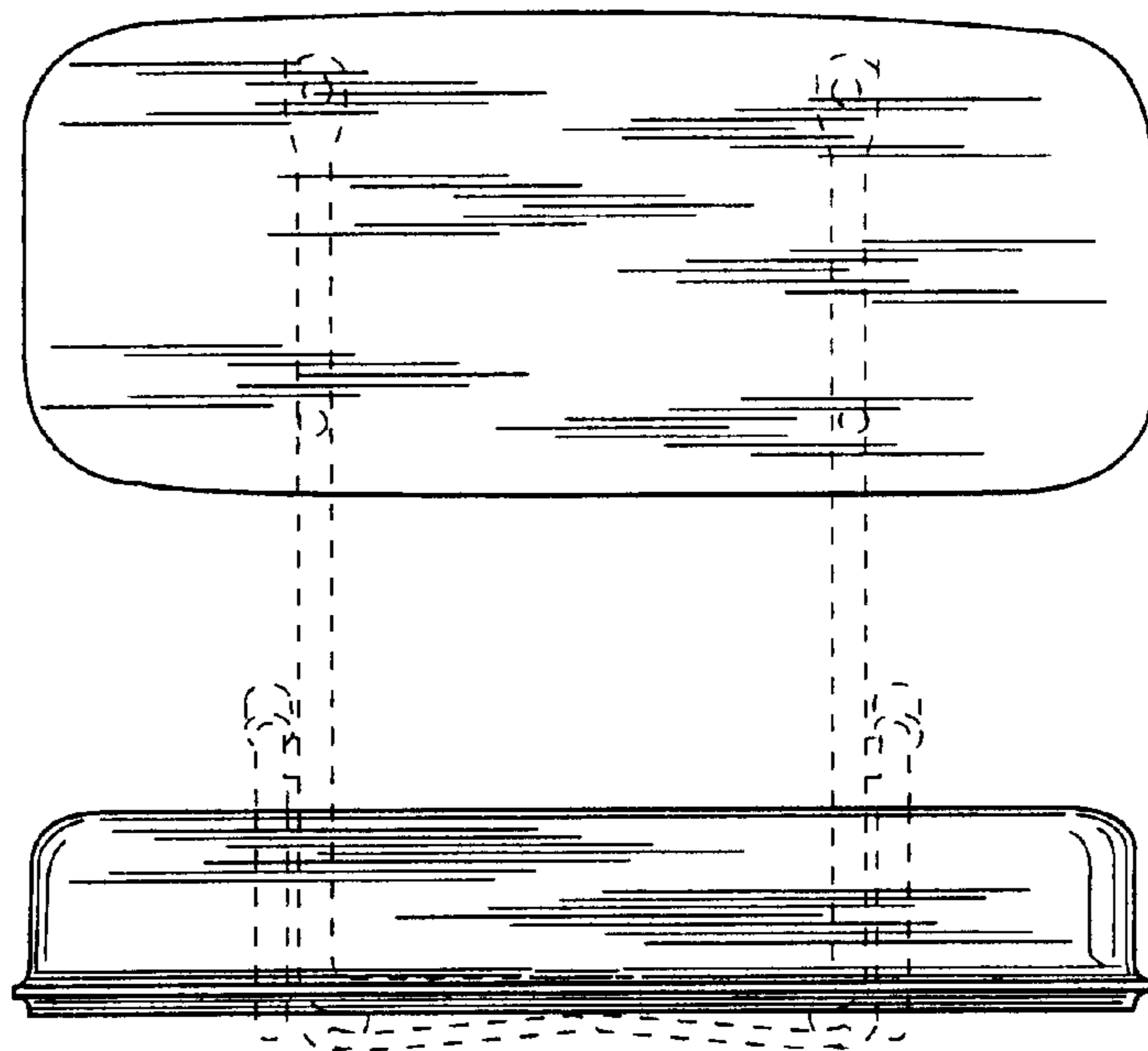


FIG. 4

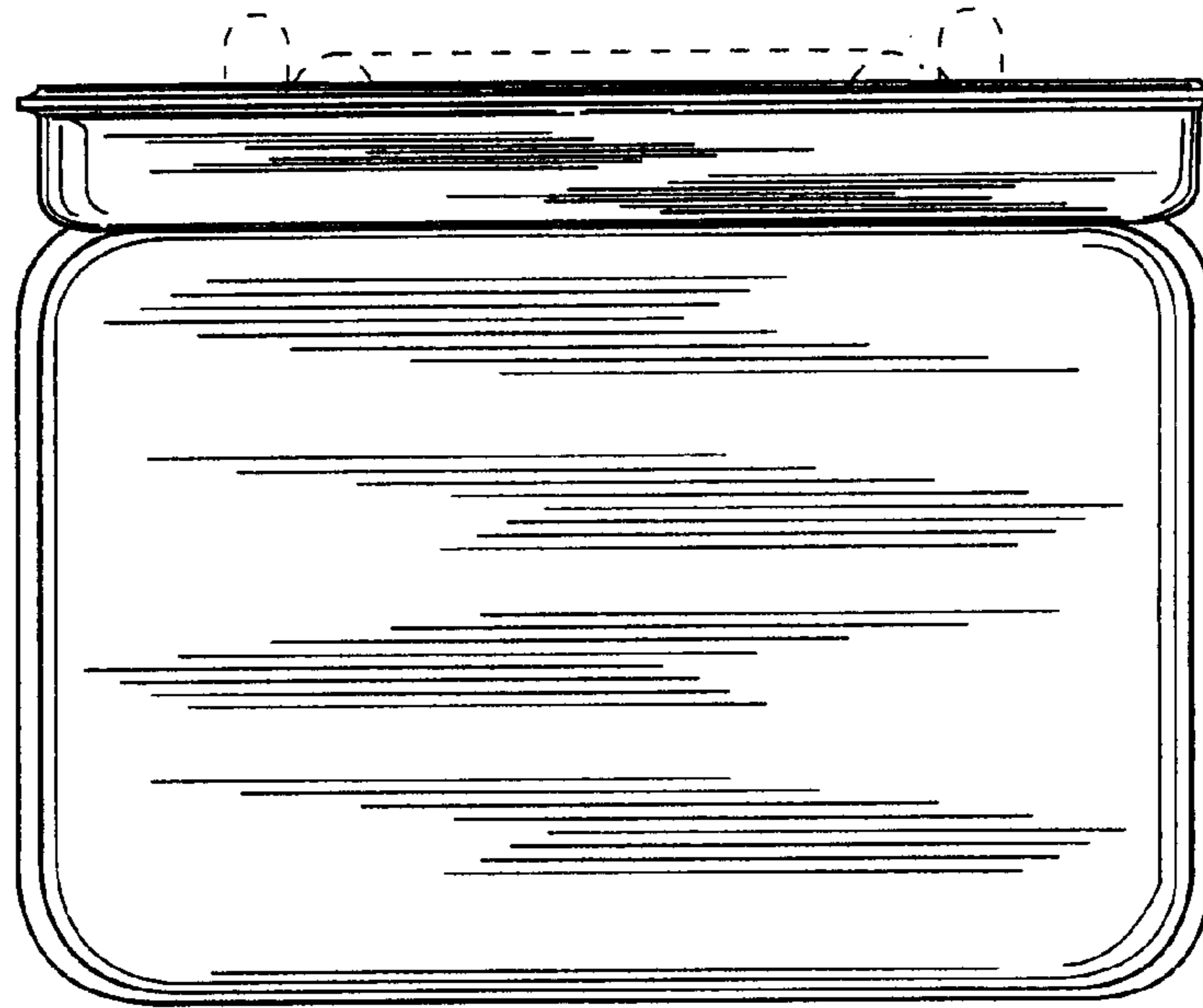


FIG. 5

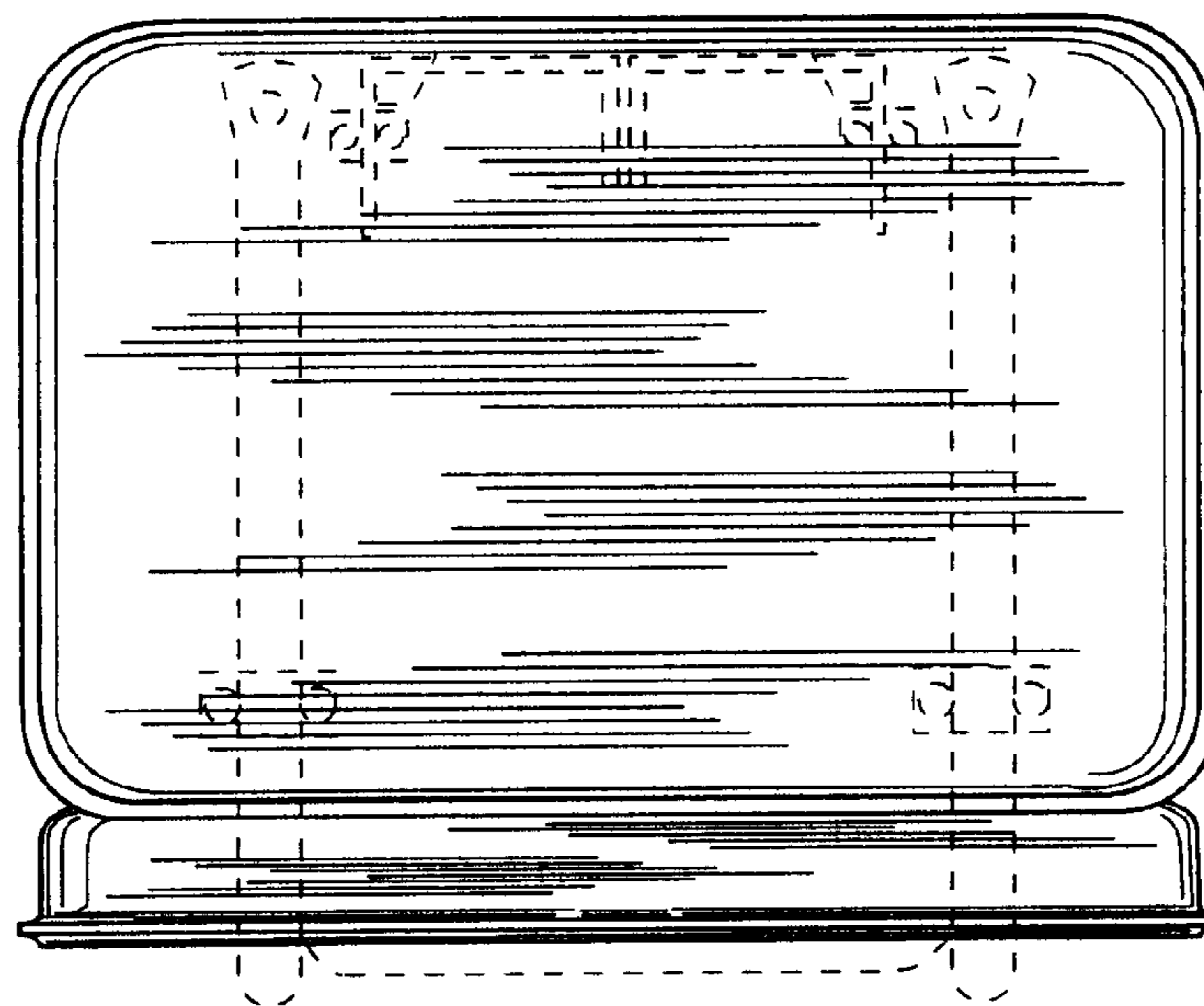


FIG. 6