



US00D516345S

(12) **United States Design Patent** (10) **Patent No.:** **US D516,345 S**
Goodworth (45) **Date of Patent:** **** Mar. 7, 2006**

(54) **WIRE FRAME FOR CHAIR**

FOREIGN PATENT DOCUMENTS

(75) **Inventor:** **William H. Goodworth**, Davenport, IA (US)

BE	524012	11/1953
CA	1184108	3/1985
DE	626080	8/1936

(73) **Assignee:** **414 East Third Street**, Muscatine, IA (US)

OTHER PUBLICATIONS

(**) **Term:** **14 Years**

(21) **Appl. No.:** **29/182,008**

- www.steelcase.com, Jul. 18, 2001, 1 page.
- www.troelsgrum-schwensen.com, Jul. 16, 2001, 2 pages.
- www.keilhauer.com, Jul. 18, 2001, 1 page.
- www.fixturesfurniture.com, Aug. 8, 2001, 2 pages.
- www.virco.com, Jul. 16, 2001, 1 page.
- www.virco.com, Aug. 8, 2001, 1 page.
- www.visualibrary.com, Feb. 27, 2002, 1 page.
- www.troelsgrum-schwensen.com, Mar. 6, 2002, 1 page.
- www.tribu-design.com, Aug. 13, 2001, 1 page.
- www.plantationpatterns.com, Oct. 1, 2001, 2 pages.
- www.unitedchair.com, Jul. 2001, 1 page.
- www.meritalia.it.it/sedie/eng, Aug. 16, 2001, 1 page.
- www.troelsgrum-schwensen.com, Jul. 24, 2001, 1 page.
- www.scottriceok.com, Jul. 16, 2001, 1 page.
- www.psgerry.com, Sep. 27, 2001, 2 pages.

(22) **Filed:** **May 19, 2003**

Related U.S. Application Data

(63) Continuation of application No. 29/172,915, filed on Dec. 18, 2002, now Pat. No. Des. 483,193, and a continuation of application No. 10/323,218, filed on Dec. 18, 2002, now Pat. No. 6,896,328.

(51) **LOC (8) Cl.** **06-01**

(52) **U.S. Cl.** **D6/500**

(58) **Field of Classification Search** D6/334-336, D6/366, 371-374, 379, 380, 491, 495, 496, D6/498-502; 297/411.2, 423.1, 445.1, 446.1, 297/447.1, 448.2, 461

See application file for complete search history.

Primary Examiner—Caron D. Veynar

Assistant Examiner—Vy Nguyen

(74) *Attorney, Agent, or Firm*—Ronald A. Sandler; Jones Day

(57) **CLAIM**

The ornamental design for a wire frame for chair, as shown and described.

(56) **References Cited**

U.S. PATENT DOCUMENTS

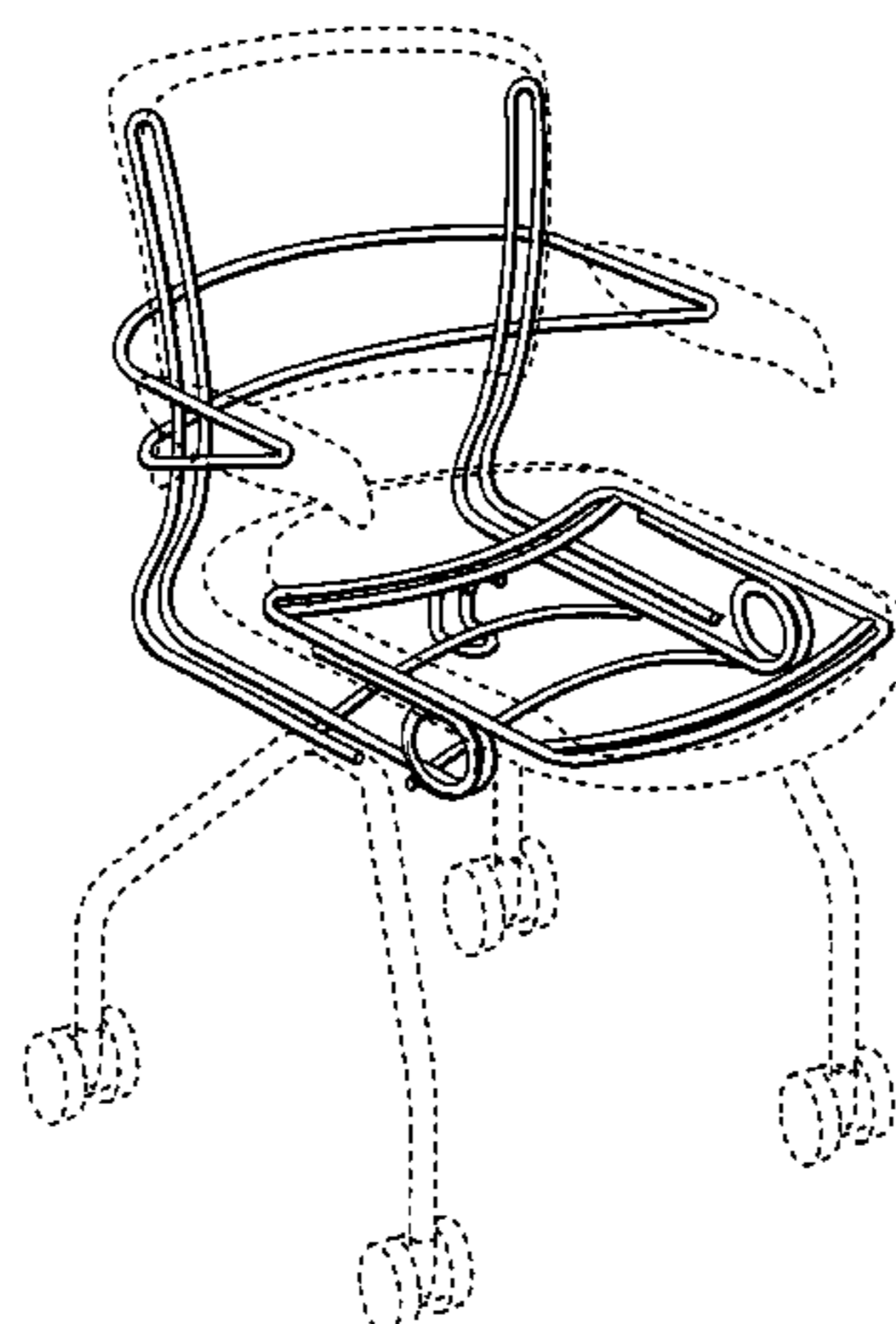
1,950,226 A	3/1934	Cable	297/287
2,602,489 A	7/1952	Holten	297/301.4
3,475,054 A	10/1969	Flint	297/301.3
D279,246 S	6/1985	Murry	D6/501
D303,597 S	9/1989	Kaminski	D6/502
D303,598 S	9/1989	Tornero	D6/502
D366,089 S	1/1996	Ackerson, Jr.	D22/118
5,697,673 A	12/1997	Favaretto	297/301.1
D393,962 S	* 5/1998	Spotswood	D6/499
D401,453 S	11/1998	Holt	D6/502
D408,161 S	4/1999	Caruso	D6/366

DESCRIPTION

FIG. 1 is a front isometric view of the wire frame for chair. FIG. 2 is a rear isometric view thereof. FIG. 3 is a front view thereof. FIG. 4 is a rear elevation view thereof. FIG. 5 is a right side elevation view thereof. FIG. 6 is a left side elevation view thereof. FIG. 7 is a top plan view thereof; and, FIG. 8 is a bottom plan view thereof. The broken line showing of the chair seat, back and legs is for illustrative purposes only and forms no part of the claimed design.

(Continued)

1 Claim, 5 Drawing Sheets



US D516,345 S

Page 2

U.S. PATENT DOCUMENTS

D435,746 S	1/2001	Diffrient	D6/501	D463,174 S	*	9/2002	Chu	D6/500
D438,392 S	3/2001	Lucci et al.	D6/366	D463,920 S	*	10/2002	Pearce et al.	D6/366
D439,452 S	3/2001	Turner et al.	D6/502	D475,210 S	*	6/2003	Tsai	D6/366
D440,797 S	4/2001	Norman	D6/501	D483,192 S	*	12/2003	Frenkler et al.	D6/366
D447,351 S	9/2001	Sato	D6/366	D483,193 S	*	12/2003	Goodworth	D6/366
D449,172 S	* 10/2001	Van De Riet et al.	D6/366	D500,211 S	*	12/2004	Koch et al.	D6/366
D453,633 S	2/2002	Diffrient	D6/366	D501,612 S	*	2/2005	Koch et al.	D6/366
D456,160 S	* 4/2002	Van De Riet et al.	D6/366	D502,016 S	*	2/2005	Goodworth	D6/366
D456,627 S	* 5/2002	Pearce et al.	D6/366	2002/0005658 A1		1/2002	Piretti		
D460,870 S	* 7/2002	Van De Riet et al.	D6/366						

* cited by examiner

Fig. 1

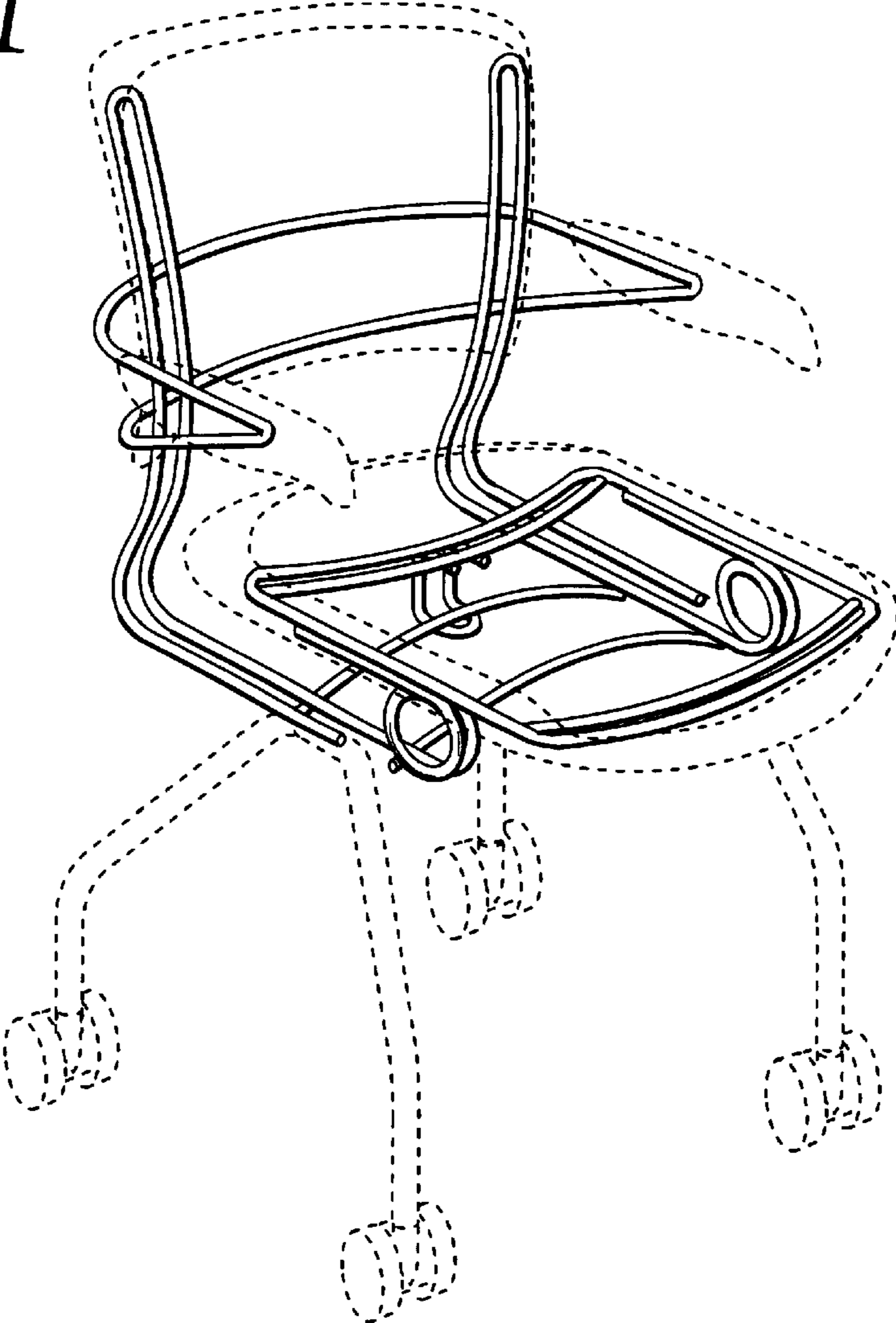


Fig. 2

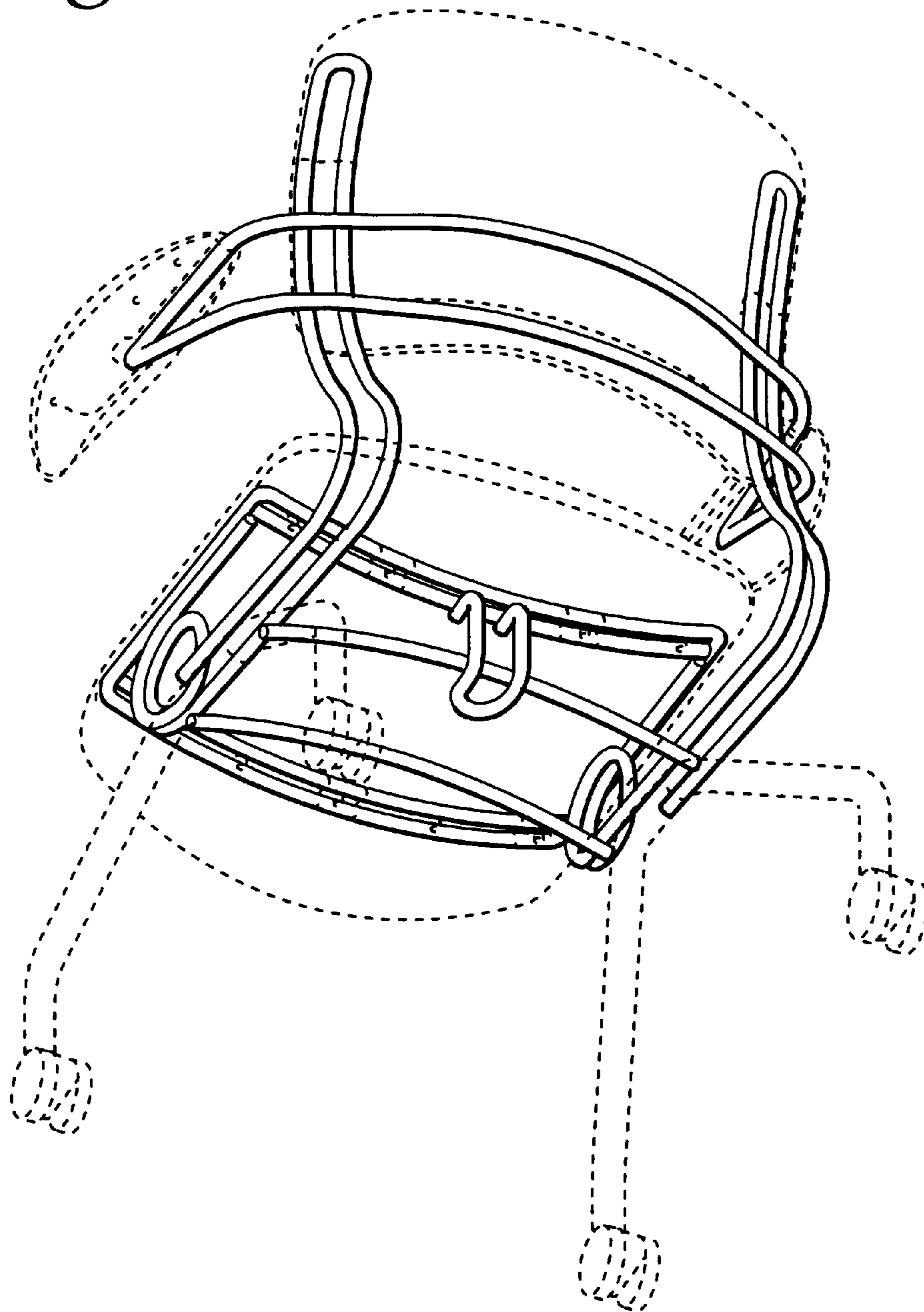


Fig. 4

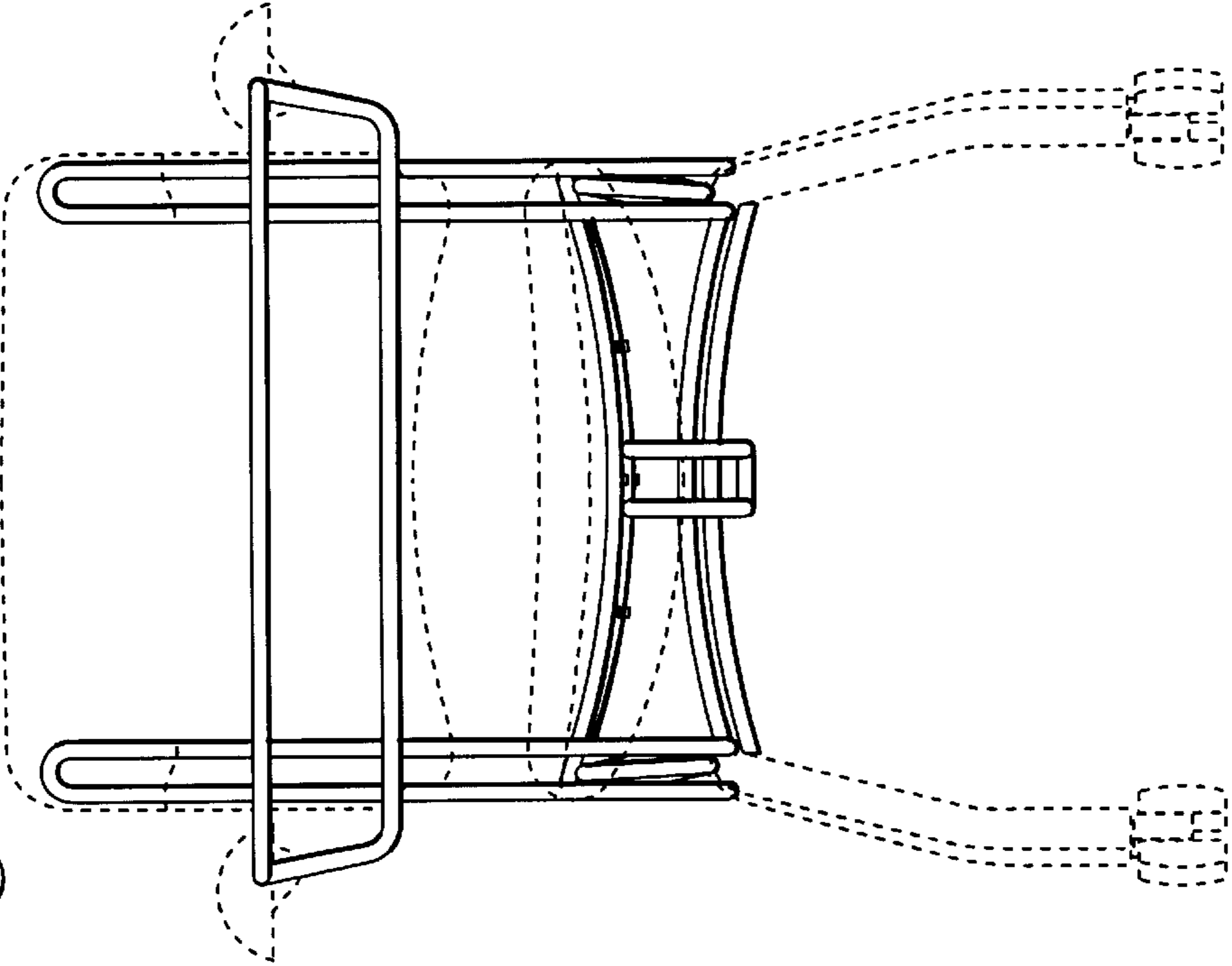


Fig. 3

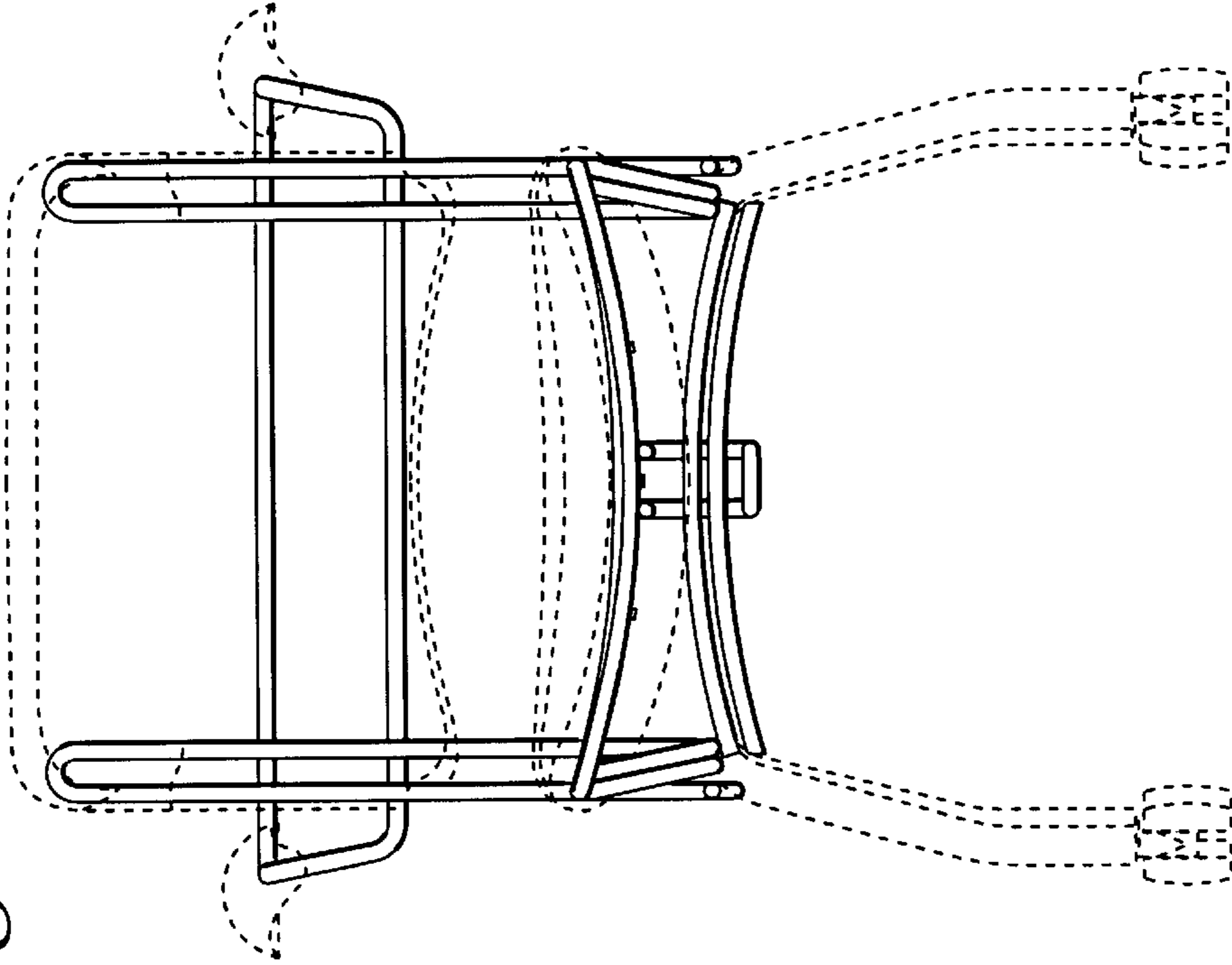


Fig. 6

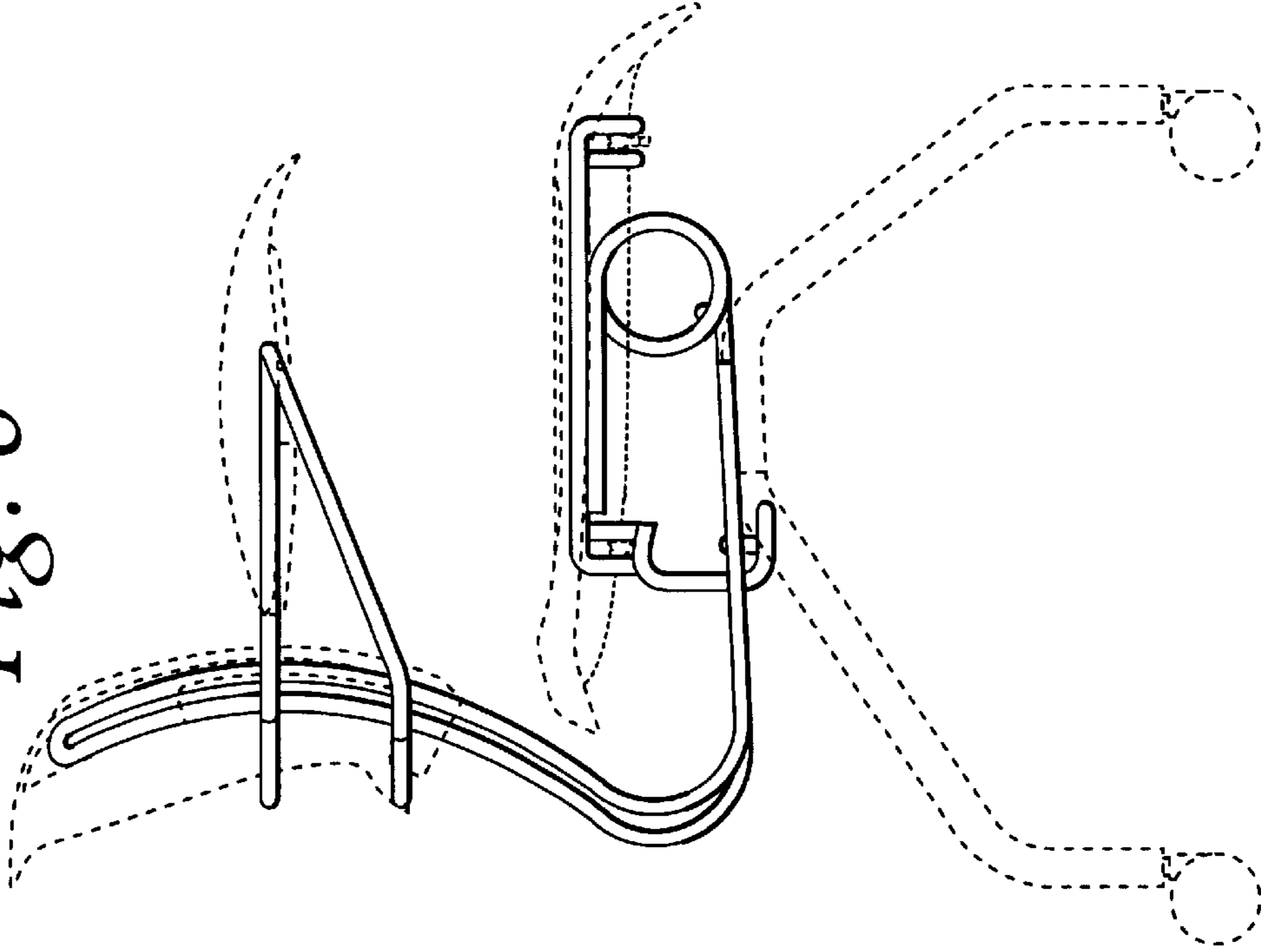


Fig. 5

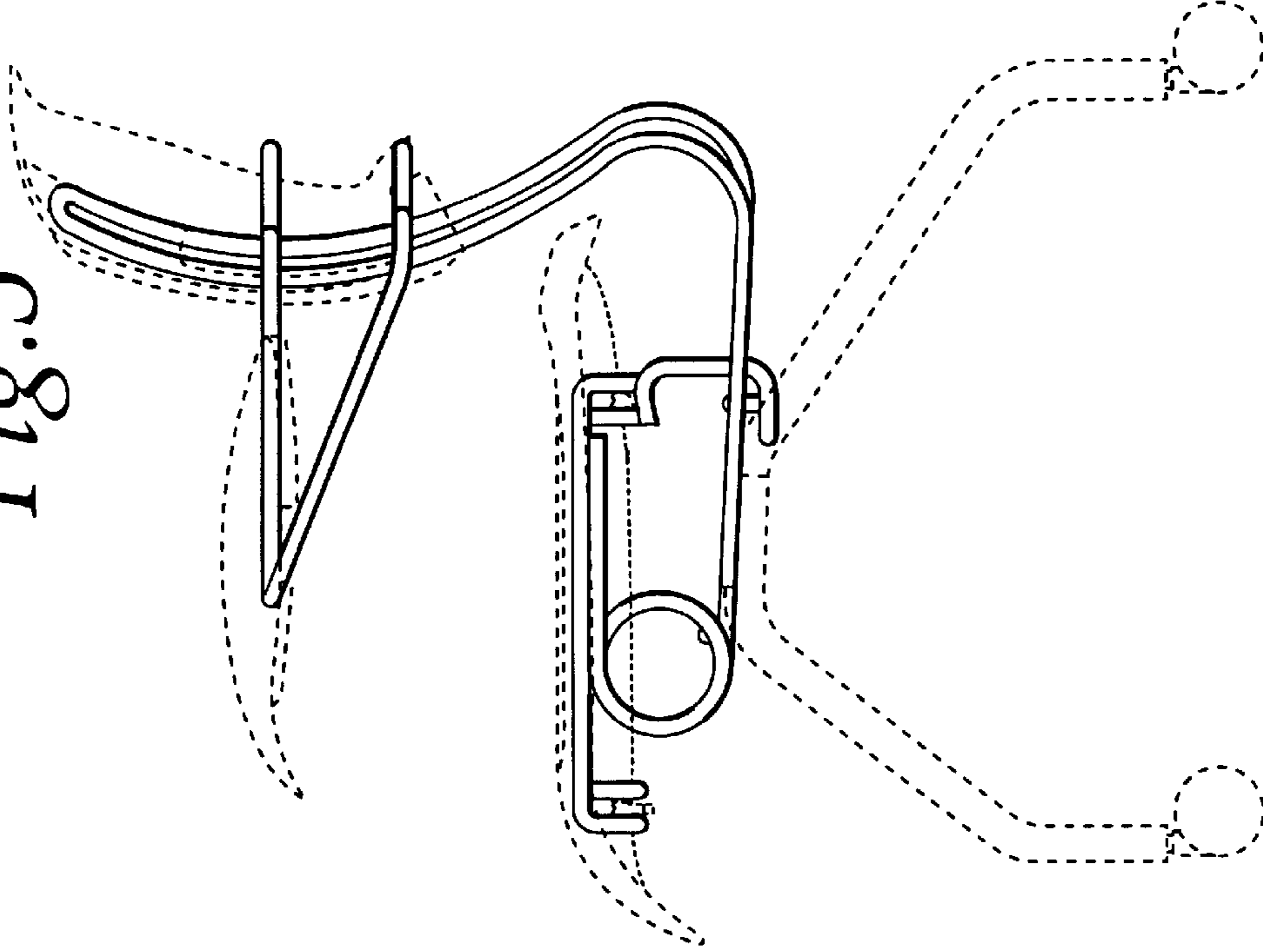


Fig. 8

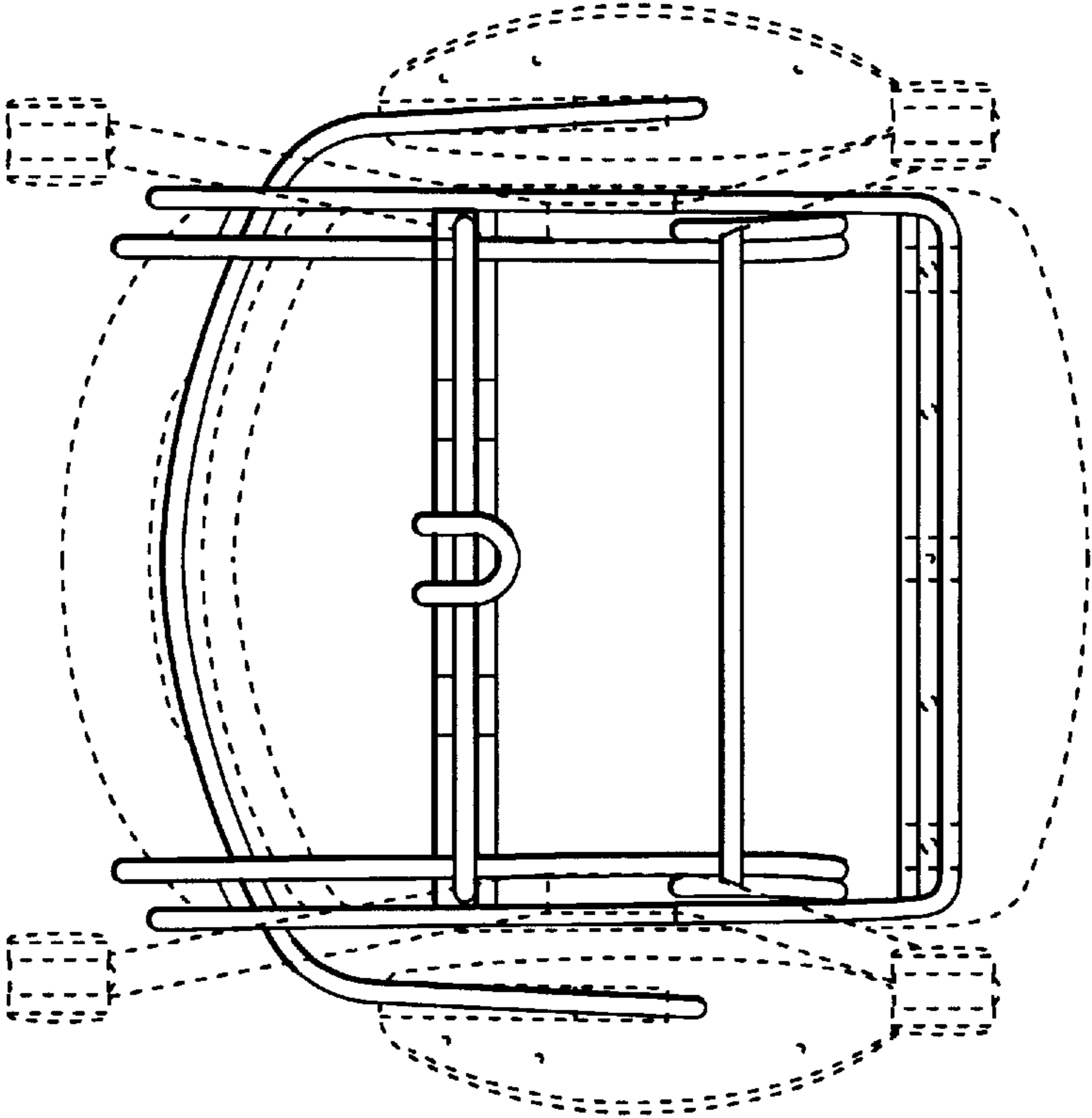


Fig. 7

