



US00D516340S

(12) **United States Design Patent**
Chang

(10) **Patent No.:** **US D516,340 S**
(45) **Date of Patent:** **** Mar. 7, 2006**

(54) **COMPUTER TABLE**

(76) **Inventor:** **Chien-Kuo Chang**, P.O. Box 36-80,
Taichung City (TW)

(**) **Term:** **14 Years**

(21) **Appl. No.:** **29/215,898**

(22) **Filed:** **Oct. 25, 2004**

(51) **LOC (8) Cl.** **06-03**

(52) **U.S. Cl.** **D6/425; D6/426**

(58) **Field of Classification Search** **D6/421-428;**
312/194-196, 208.1, 208.2, 238, 239; 108/50.01,
108/50.02, 60

See application file for complete search history.

(56) **References Cited**

U.S. PATENT DOCUMENTS

5,623,881 A * 4/1997 Huang 108/50.01
D410,806 S * 6/1999 Olson et al. D6/484
D456,170 S * 4/2002 Chang D6/425

D477,931 S * 8/2003 Chang D6/422
D477,932 S * 8/2003 Chang D6/426
6,895,869 B2 * 5/2005 Lai 108/50.02

* cited by examiner

Primary Examiner—Janice E. Seeger

(74) *Attorney, Agent, or Firm*—Charles E. Baxley

(57) **CLAIM**

The ornamental design for a computer table, as shown and described.

DESCRIPTION

FIG. 1 is a perspective view of a computer table showing our new design thereof;

FIG. 2 is a front elevational view thereof;

FIG. 3 is a rear elevational view thereof;

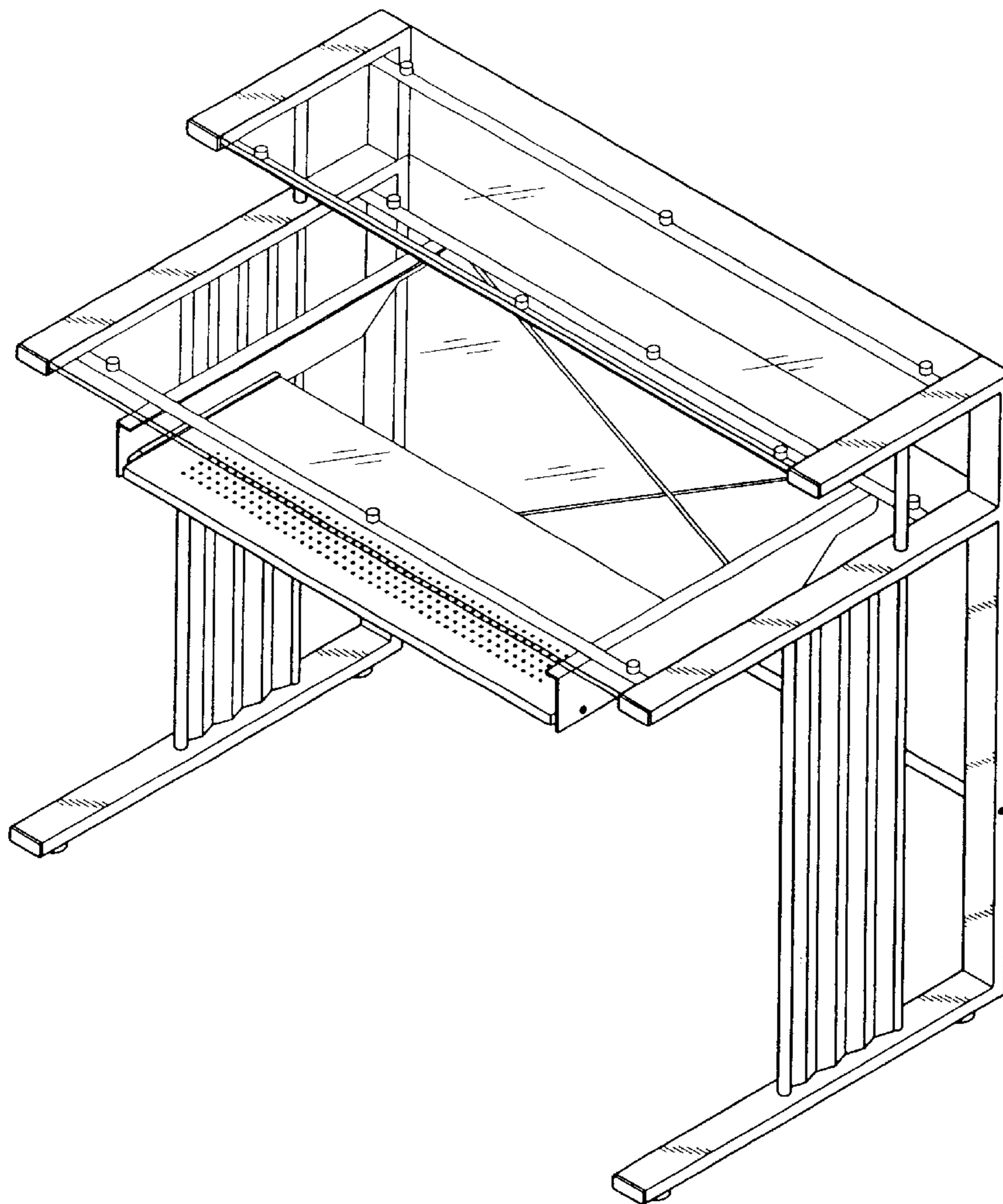
FIG. 4 is a left side elevational view thereof;

FIG. 5 is a right side elevational view thereof;

FIG. 6 is a top plan view thereof; and,

FIG. 7 is a bottom plan view thereof.

1 Claim, 4 Drawing Sheets



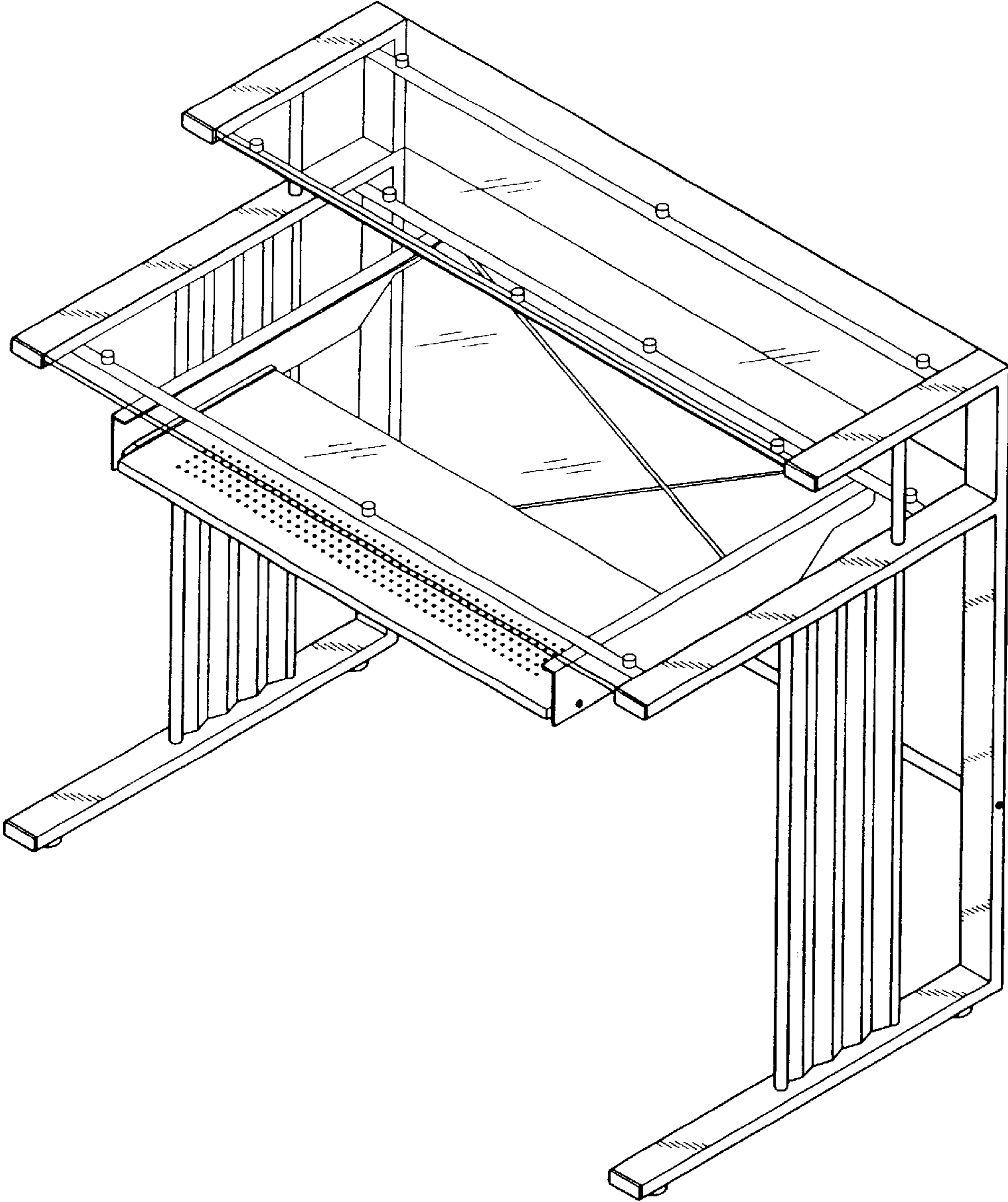


FIG. 1

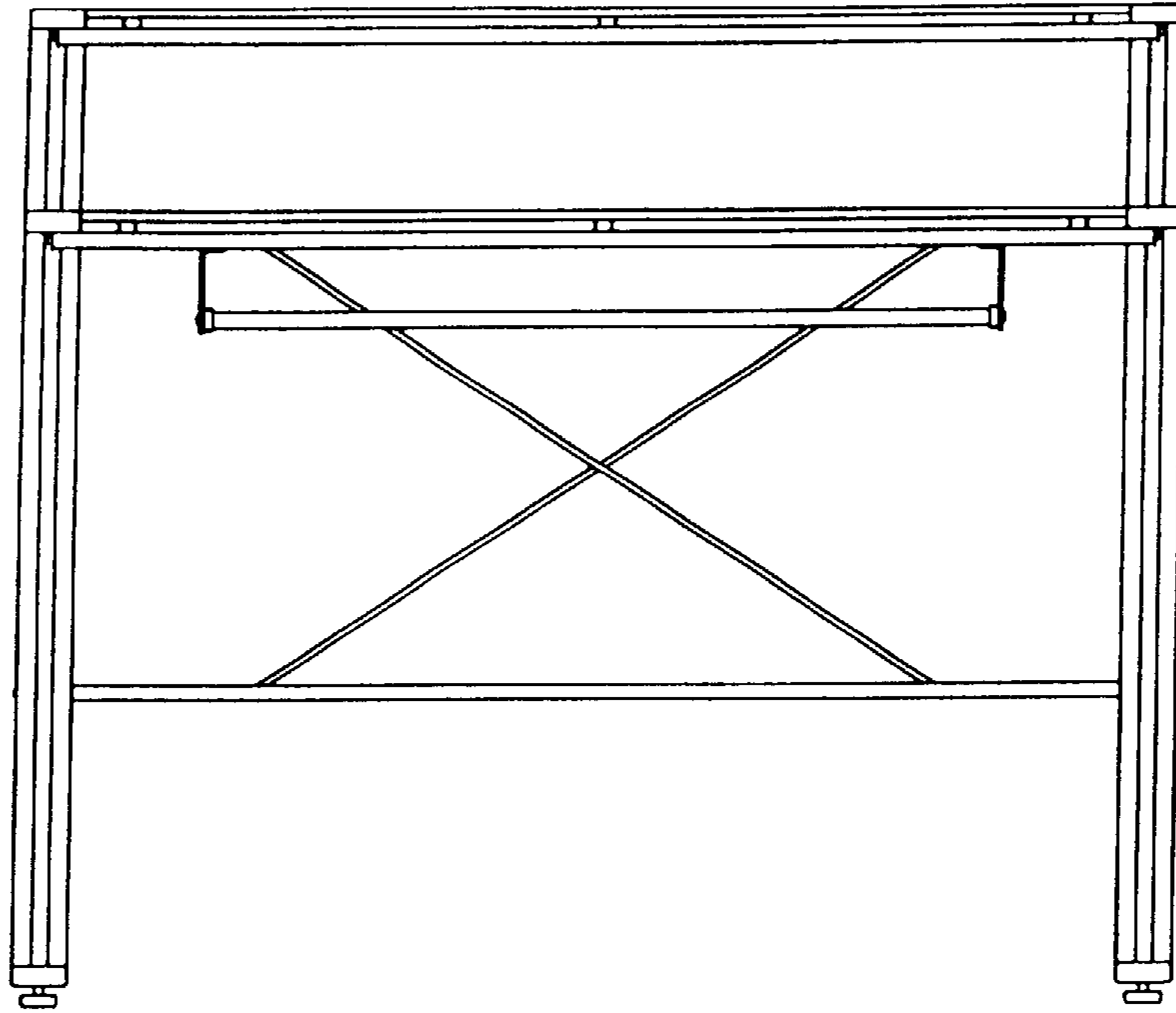


FIG. 2

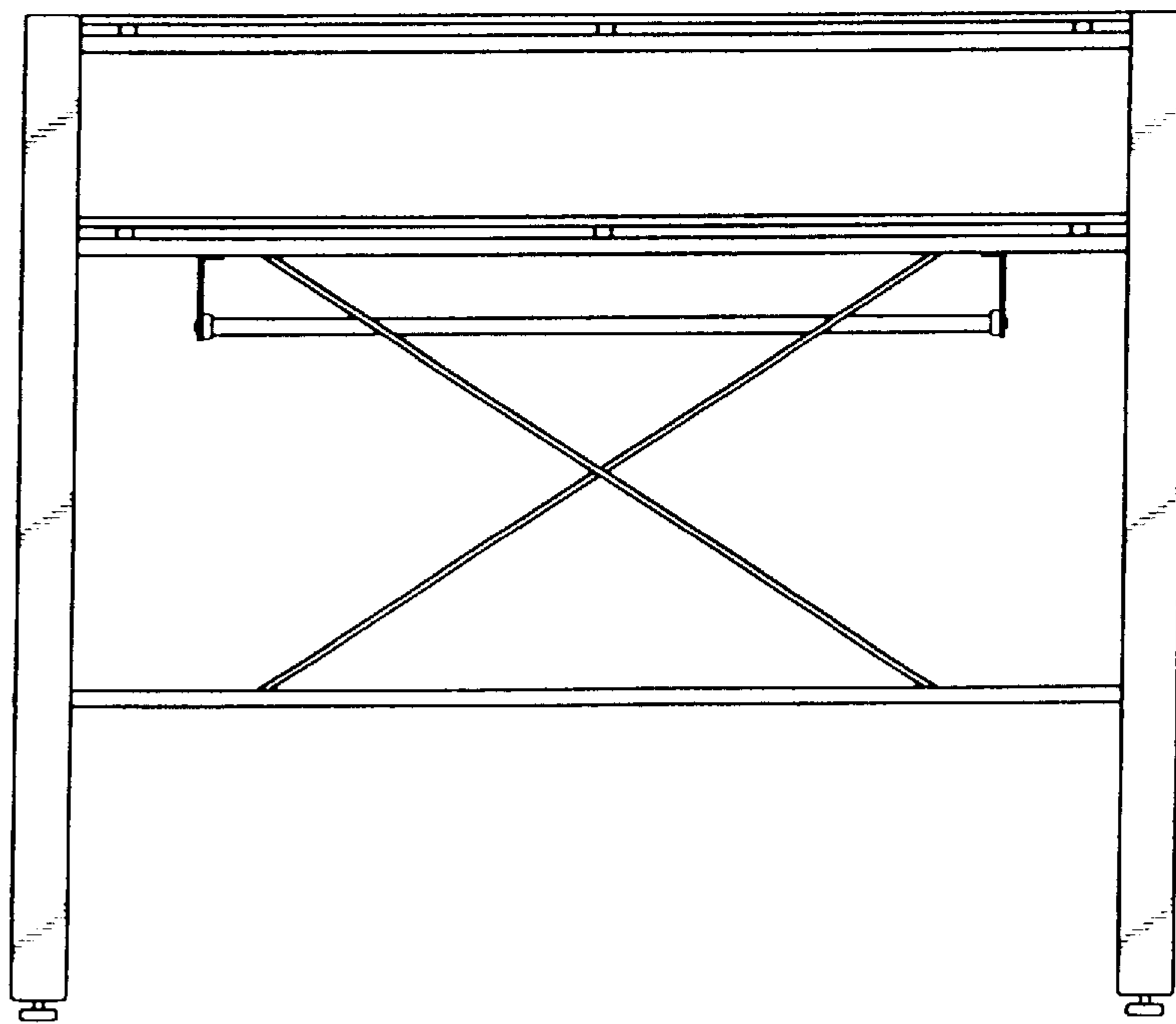


FIG. 3

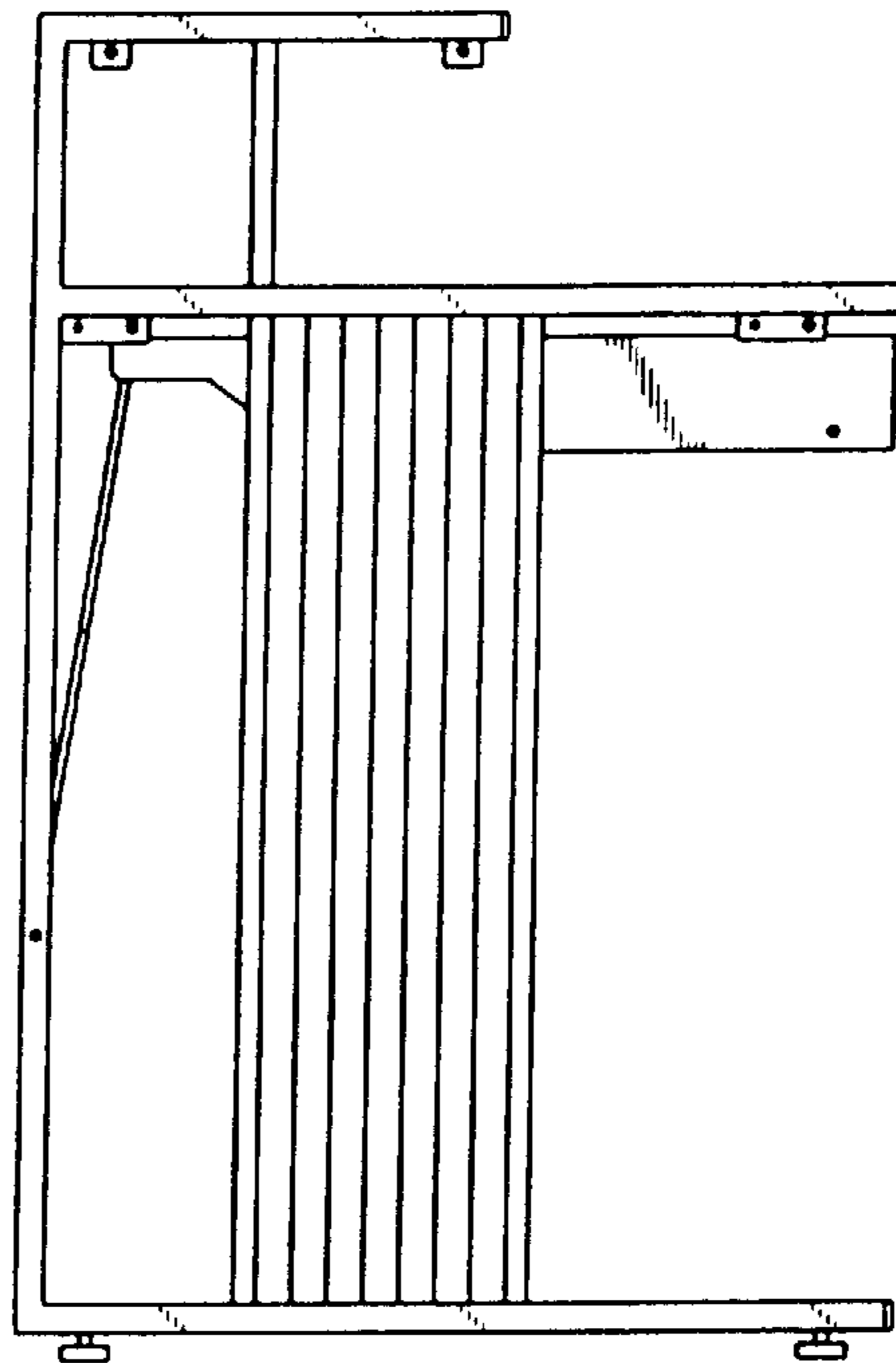


FIG. 4

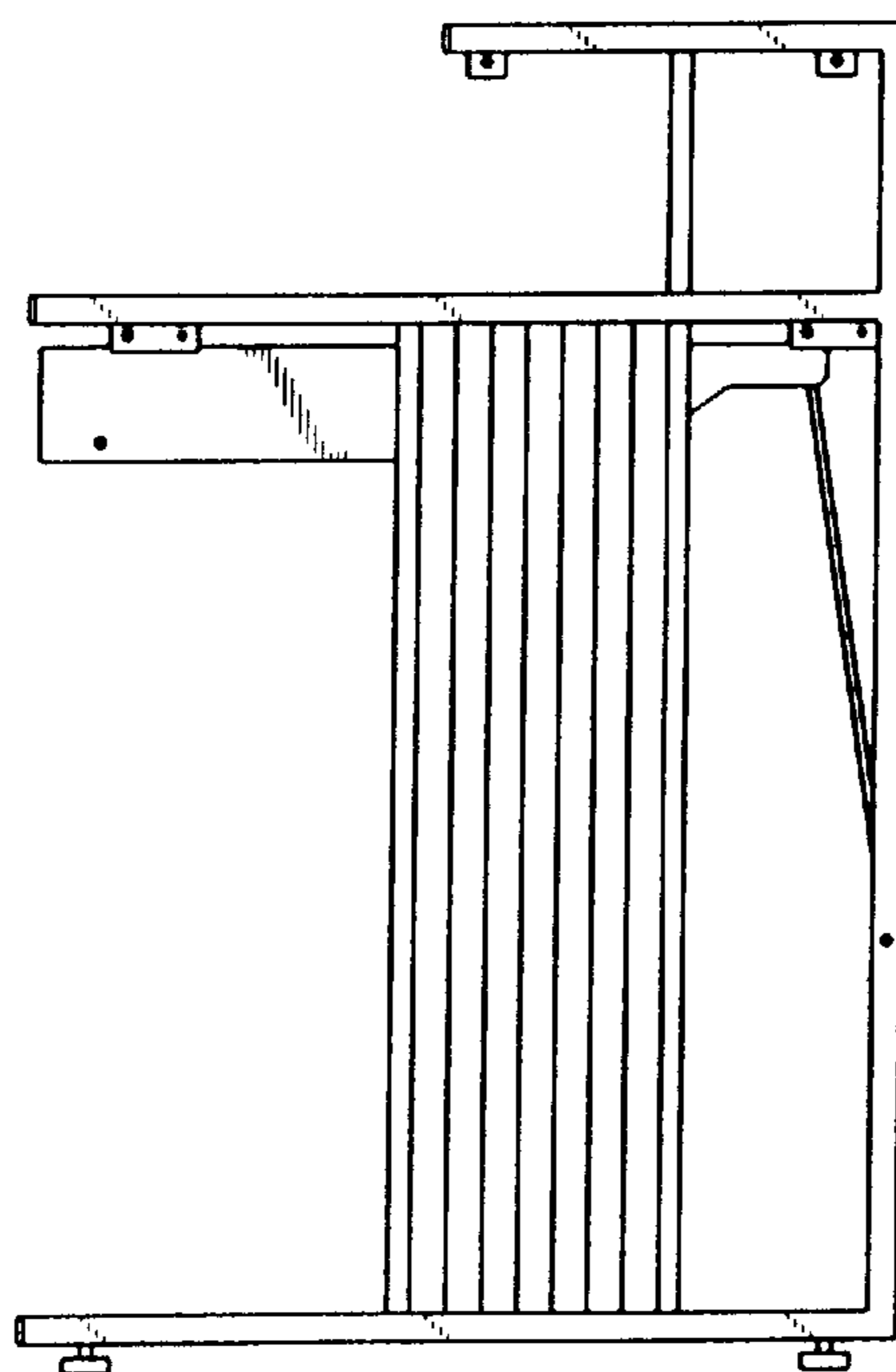


FIG. 5

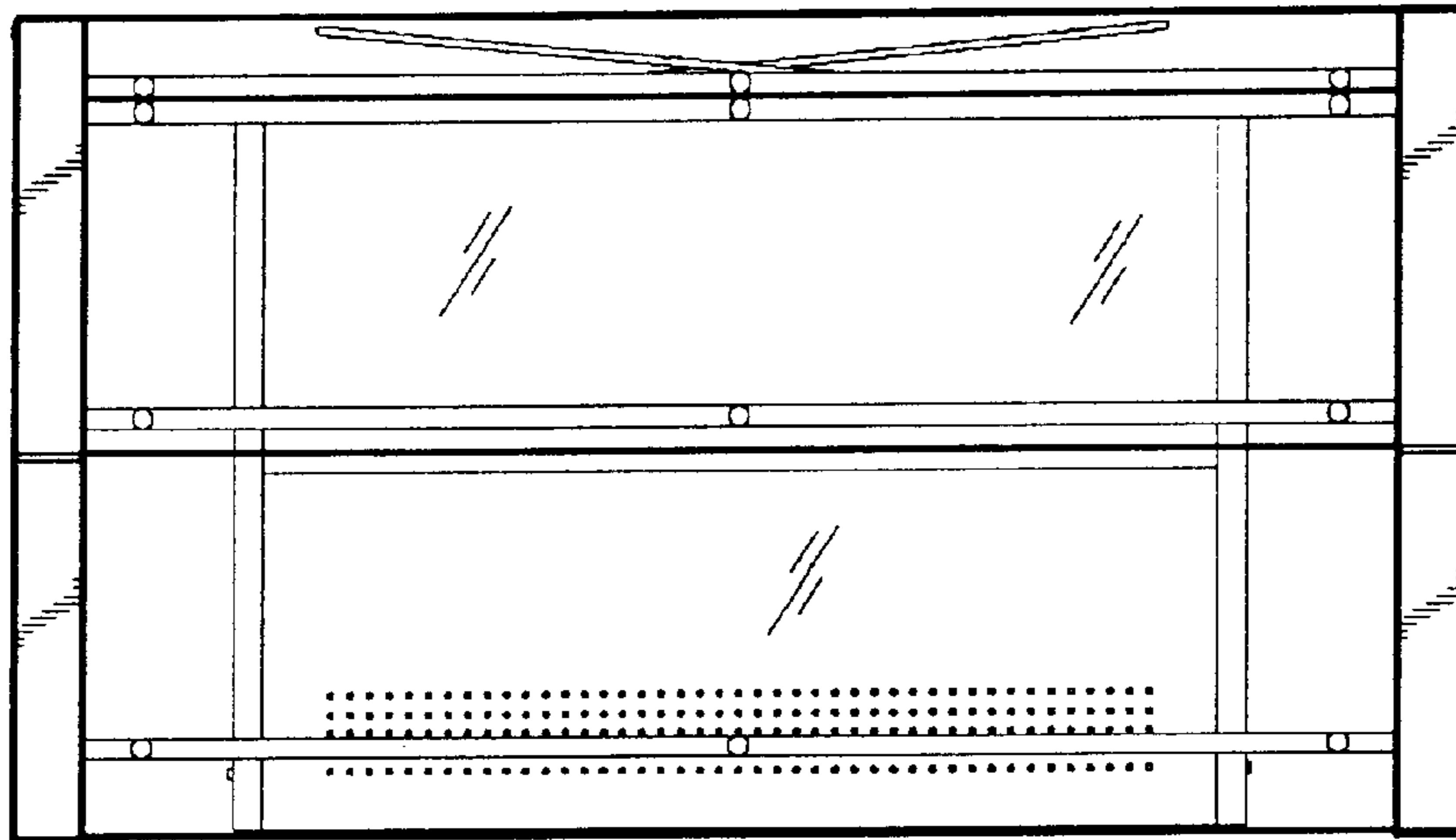


FIG. 6

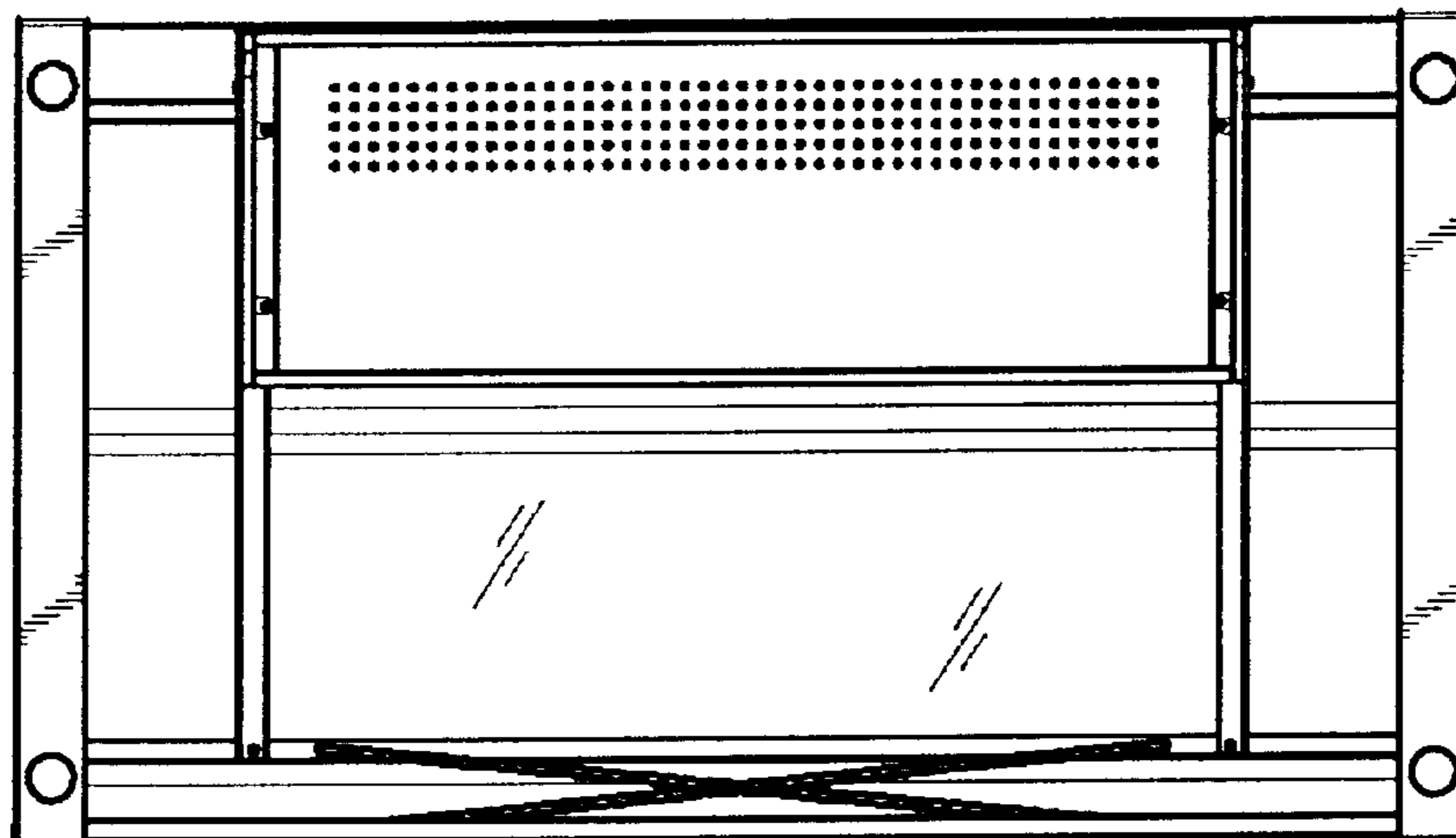


FIG. 7