



US00D516338S

(12) **United States Design Patent**
Mohundro

(10) **Patent No.:** **US D516,338 S**
(45) **Date of Patent:** **** Mar. 7, 2006**

- (54) **BED**
- (76) **Inventor:** **James Glenn Mohundro**, 3F-4 No. 161, Kung-I Road, Taichung (TW)
- (**) **Term:** **14 Years**
- (21) **Appl. No.:** **29/218,781**
- (22) **Filed:** **Dec. 8, 2004**
- (51) **LOC (8) Cl.** **06-01**
- (52) **U.S. Cl.** **D6/393**
- (58) **Field of Classification Search** D6/382, D6/388, 389, 393-395, 505-508; 5/53.1, 5/279.1, 280, 281, 310, 907
See application file for complete search history.

(56) **References Cited**

U.S. PATENT DOCUMENTS

- D353,954 S * 1/1995 Bowman D6/395
- D458,769 S * 6/2002 Hokanson D6/393
- D468,565 S * 1/2003 Hazen et al. D6/505

- D475,862 S * 6/2003 McDaniel et al. D6/393
- D475,863 S * 6/2003 Berry et al. D6/393

* cited by examiner

Primary Examiner—Janice E. Seeger
(74) *Attorney, Agent, or Firm*—Bacon & Thomas, PLLC

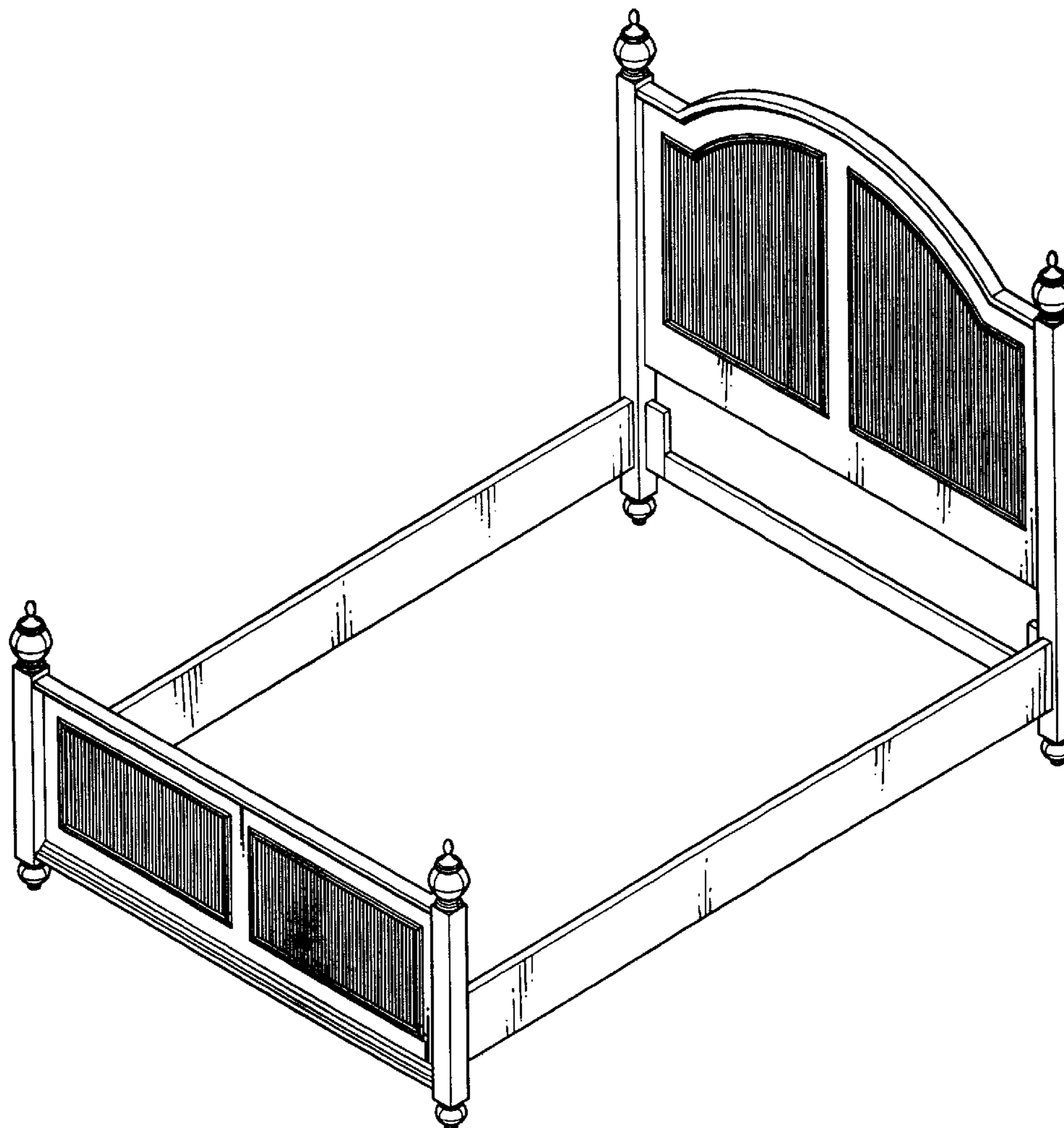
(57) **CLAIM**

The ornamental design for a bed, as shown and described.

DESCRIPTION

FIG. 1 is a perspective view of a bed, showing my new design;
FIG. 2 is a front elevational view thereof;
FIG. 3 is a rear elevational view thereof;
FIG. 4 is a left elevational view thereof; and
FIG. 5 is a right elevational view thereof;
FIG. 6 is a top plan view thereof; and,
FIG. 7 is a bottom plan view thereof.

1 Claim, 7 Drawing Sheets



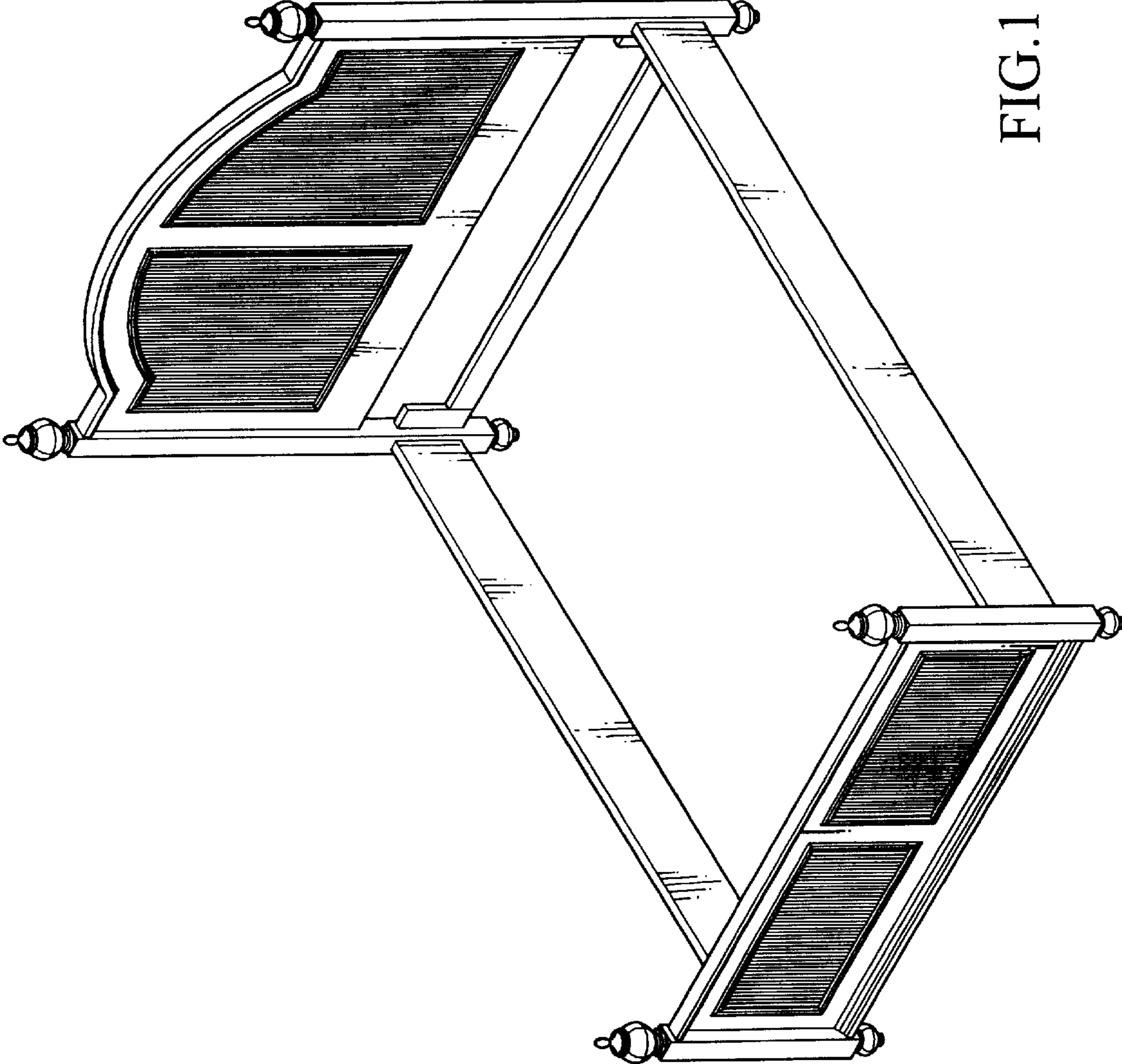


FIG. 1

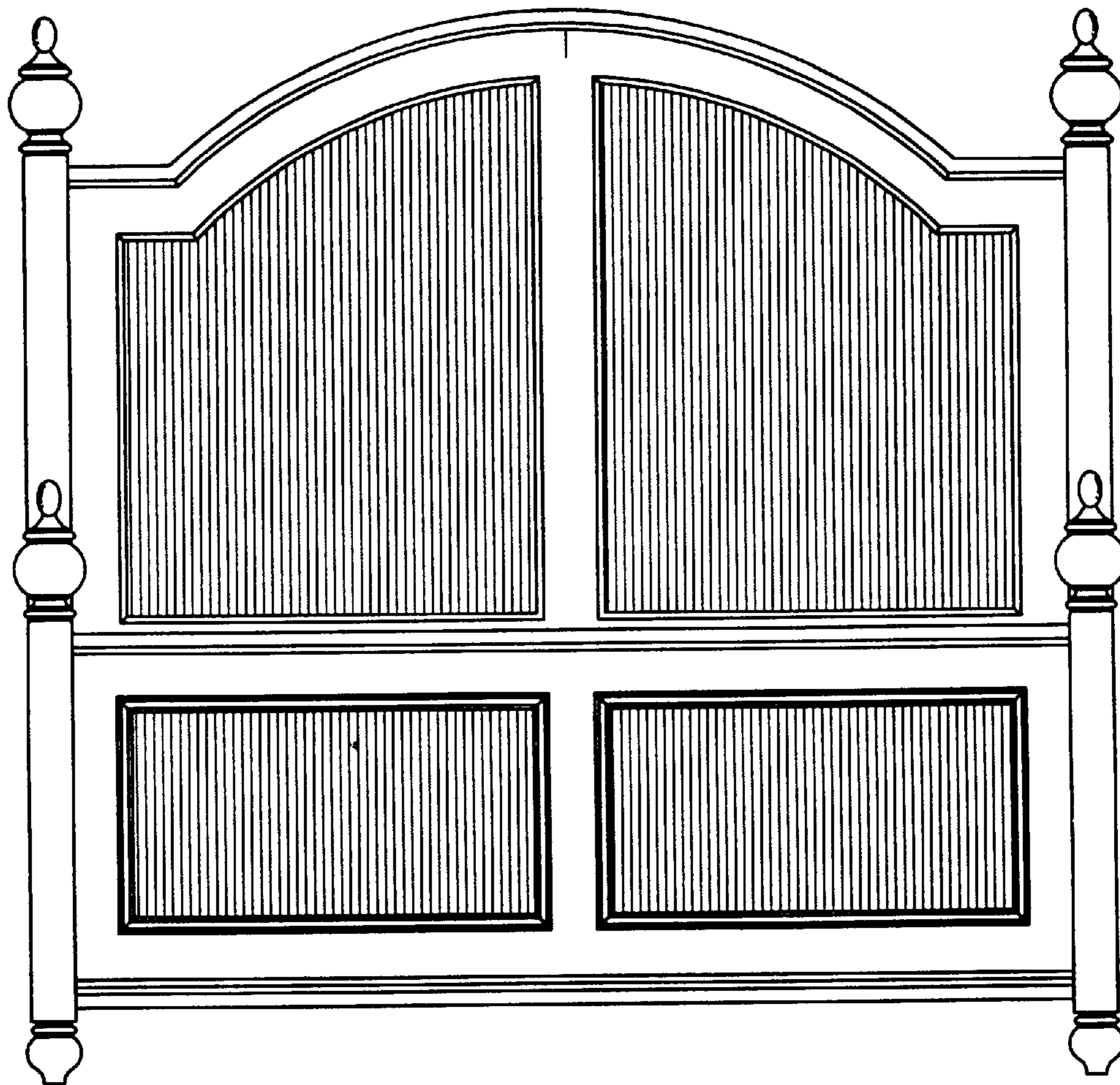


FIG.2

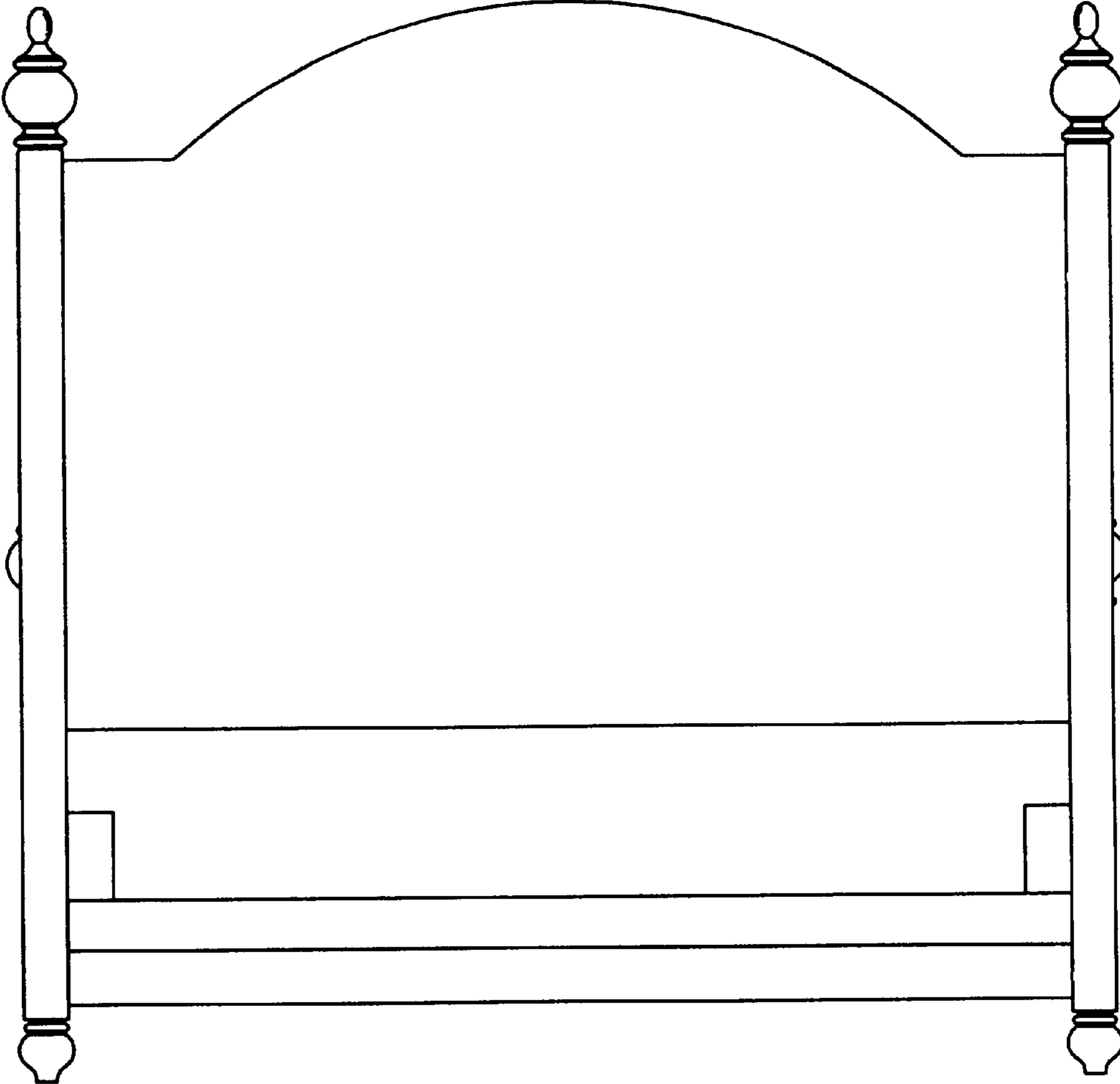


FIG.3

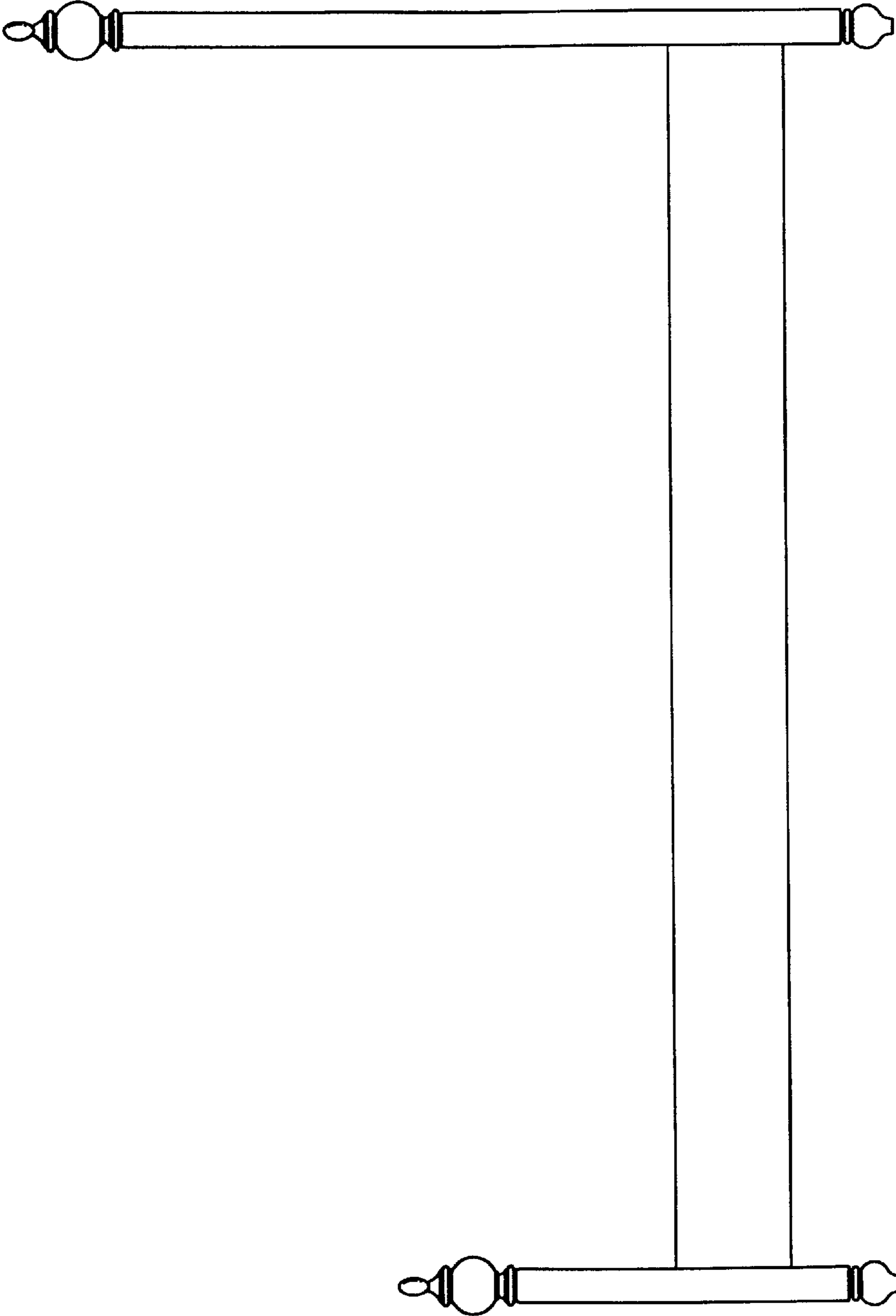


FIG.4

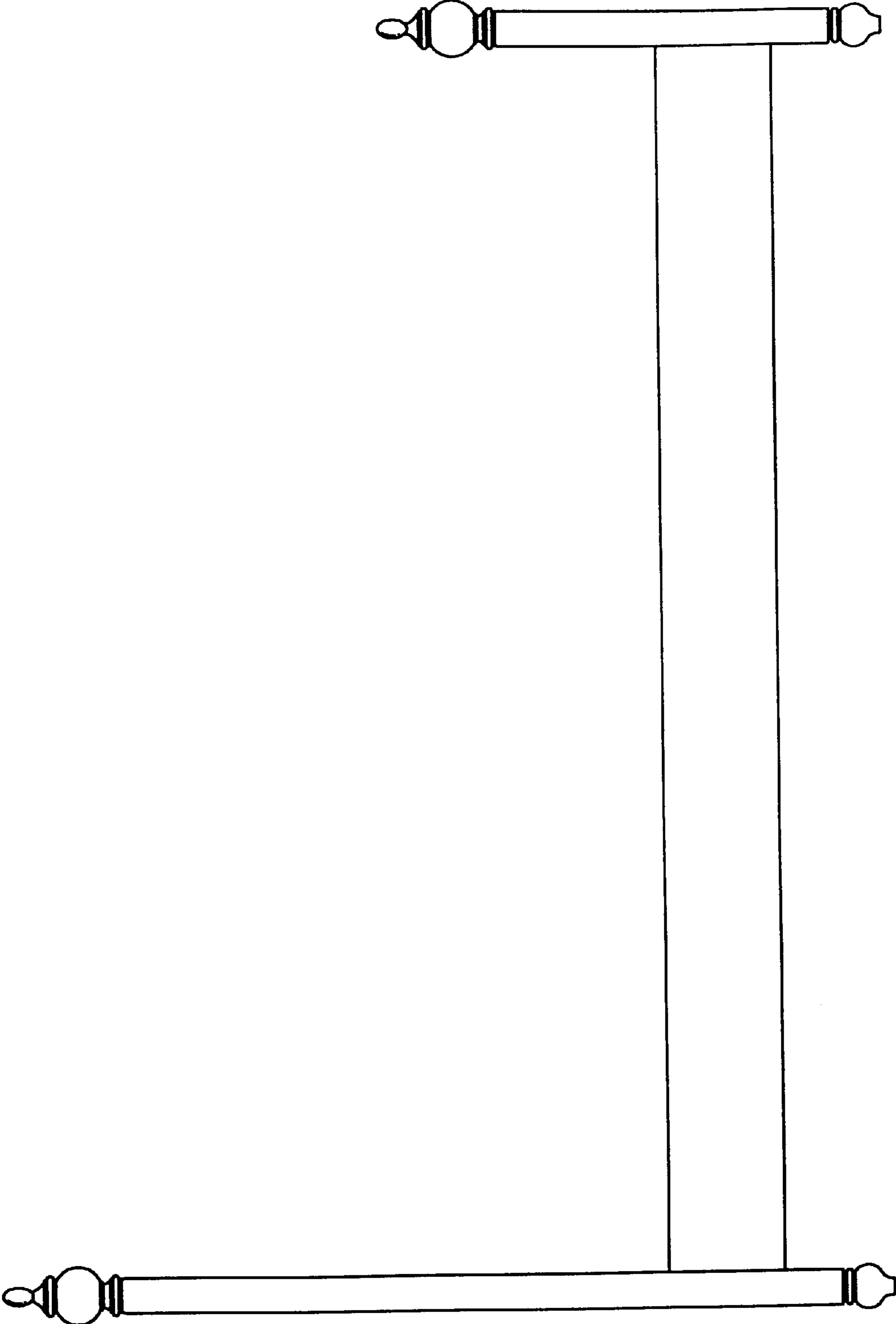


FIG. 5

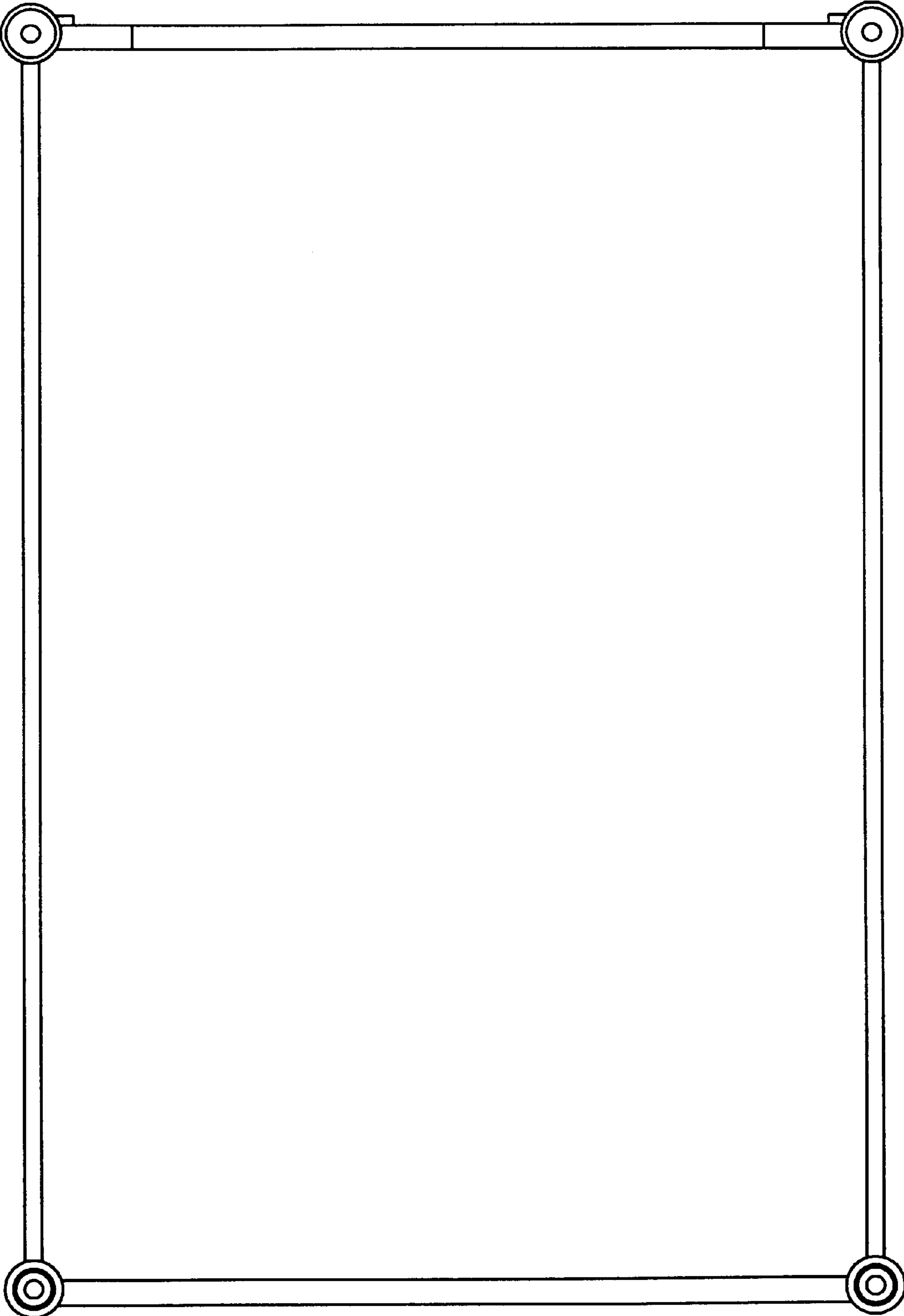


FIG.6

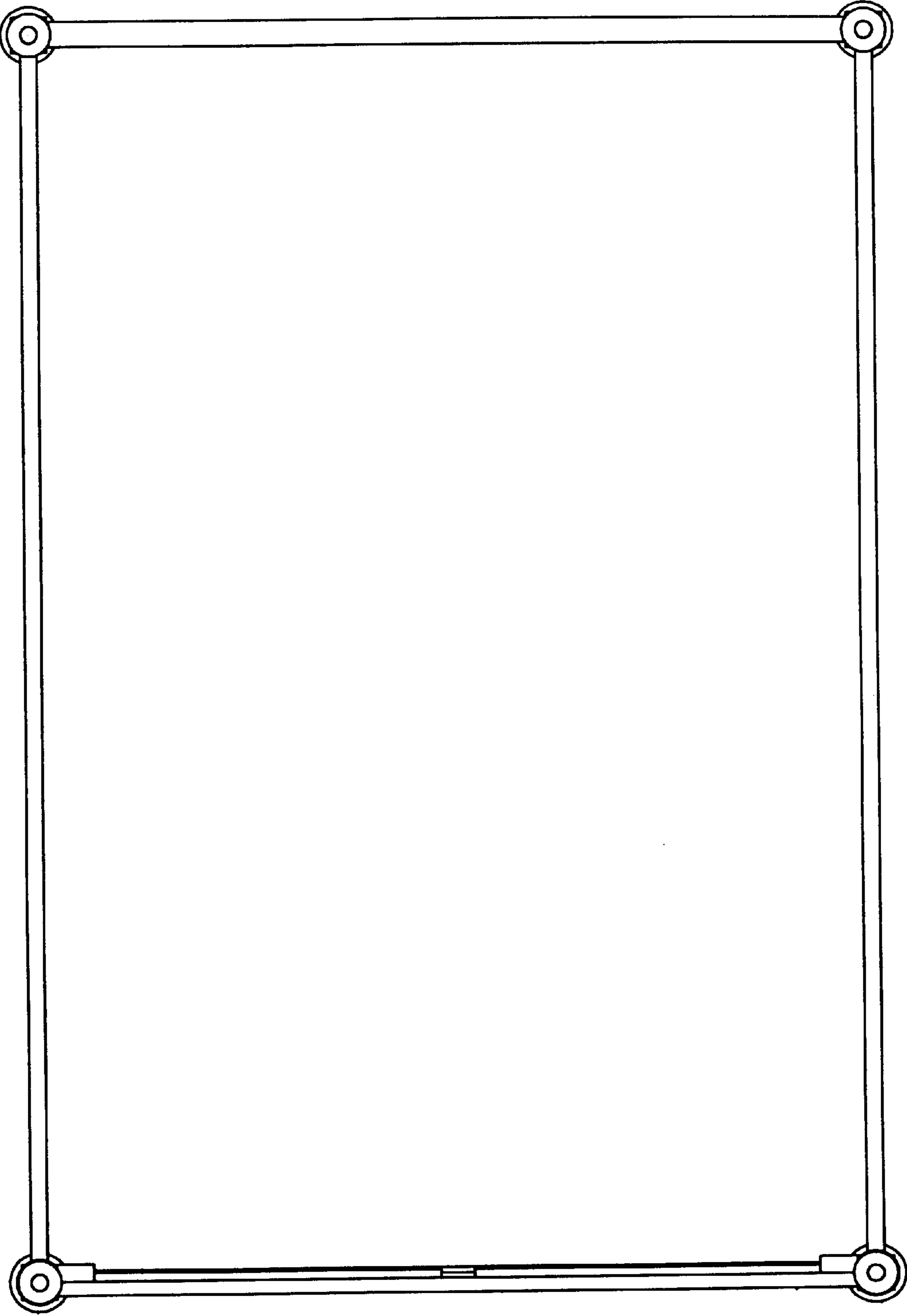


FIG.7