

US00D516337S

(12) **United States Design Patent**  
**Reza-Hadden**

(10) **Patent No.:** **US D516,337 S**  
(45) **Date of Patent:** **\*\* Mar. 7, 2006**

(54) **BENCH**

(75) **Inventor:** **Ana Maria Reza-Hadden**, San Rafael, CA (US)

(73) **Assignee:** **Landscape Forms, Inc.**, Kalamazoo, MI (US)

(\*\*) **Term:** **14 Years**

(21) **Appl. No.:** **29/222,045**

(22) **Filed:** **Jan. 25, 2005**

**Related U.S. Application Data**

(62) Division of application No. 29/211,830, filed on Aug. 23, 2004.

(51) **LOC (8) Cl.** ..... **06-01**

(52) **U.S. Cl.** ..... **D6/381; D6/379; D6/380**

(58) **Field of Classification Search** ..... D6/334-335, D6/349-353, 371, 373-374, 379, 380, 381, D6/500-502; 297/232, 445.1, 446.1

See application file for complete search history.

(56) **References Cited**

**U.S. PATENT DOCUMENTS**

D392,821 S	3/1998	Yurk	.....	D6/500
D419,004 S	1/2000	Collins	.....	D6/492
D458,475 S	6/2002	Hecht et al.	.....	D6/492
D483,960 S	12/2003	Chipman	.....	D6/370

**OTHER PUBLICATIONS**

Diamond Pattern Bench—CD8212. Wabash Valley 1998 “Plastisol” Coated Furniture Catalog. p. 55.

Rib Pattern Bench—CR8677. Wabash Valley 1998 “Plastisol” Coated Furniture Catalog. p. 57.

The Santiam. 2003 McGraw Hill Construction Sweets Catalog. 02870/HUN. Buyline 3749.

“Ergo bench”, Wausau Tile, Sweets Catalog 2004, Division 02879, 1 page.

“City Sites Series” and “Prairie Sites Series”, Victor Stanley, Inc., Sweets Catalog 2004, Division 02870, p. 10.

“Rugged elegance”, RPI, Sweets Catalog 2004, Division 02870, p. 7.

*Primary Examiner*—Caron D. Veynar

*Assistant Examiner*—Vy Nguyen

(74) *Attorney, Agent, or Firm*—Heslin Rothenberg Farley & Mesiti P.C.

(57) **CLAIM**

The ornamental design for a bench, as shown and described.

**DESCRIPTION**

FIG. 1 is an isometric view of the bench of the present design;

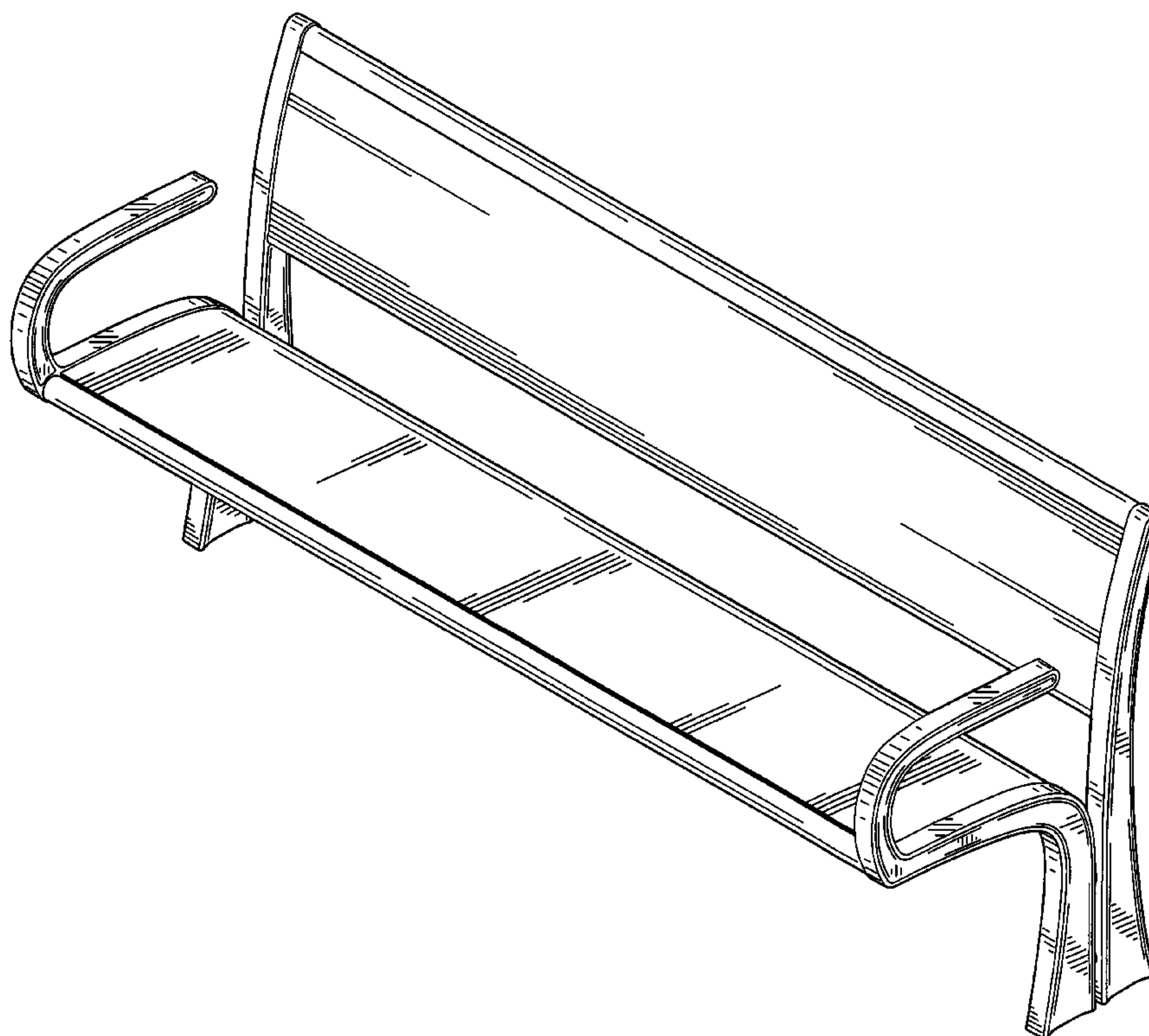
FIG. 2 is a front elevation view thereof;

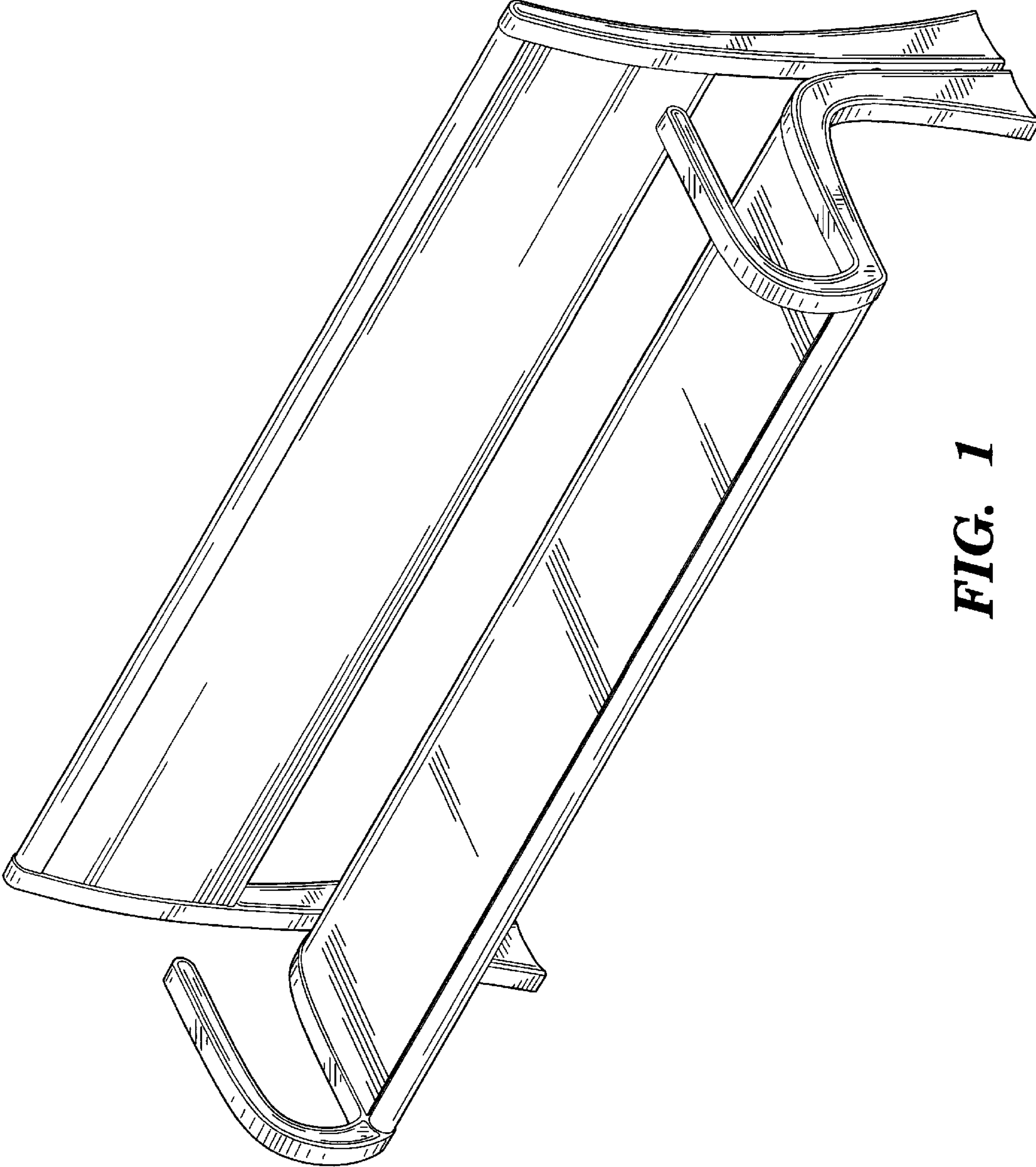
FIG. 3 is a right side elevation view thereof, the left side elevation view being a mirror image thereof;

FIG. 4 is a rear elevation view thereof; and,

FIG. 5 is a top plan view thereof.

**1 Claim, 5 Drawing Sheets**

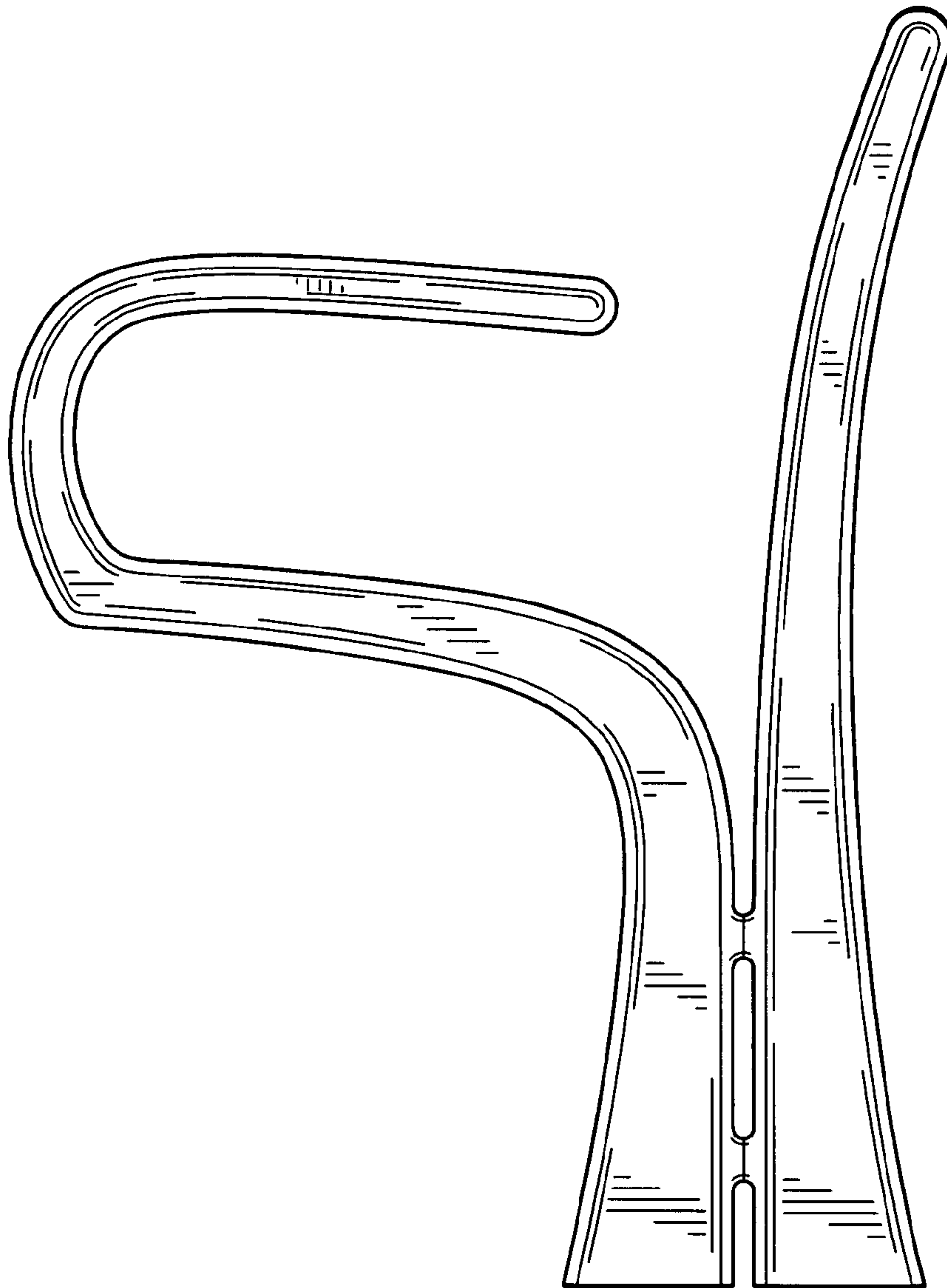




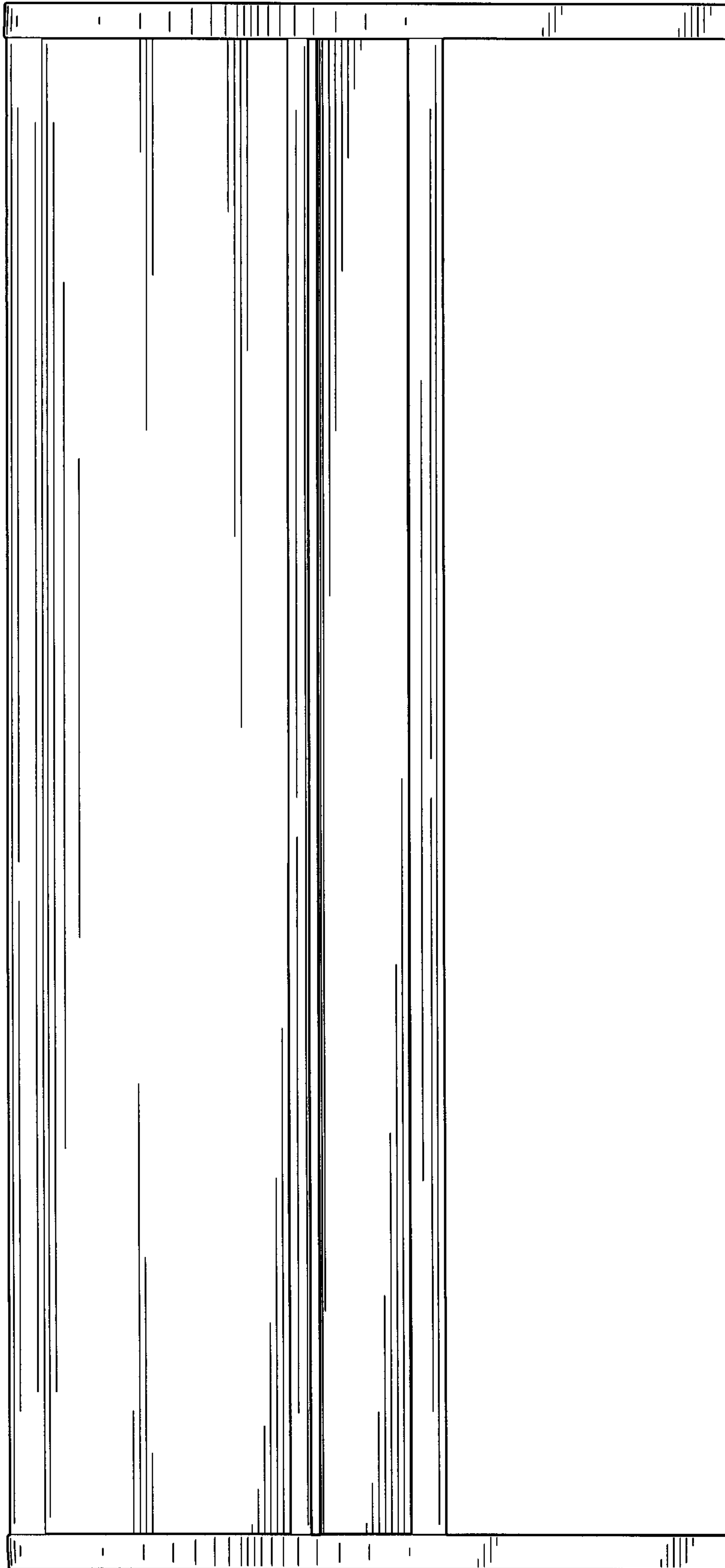
**FIG. 1**



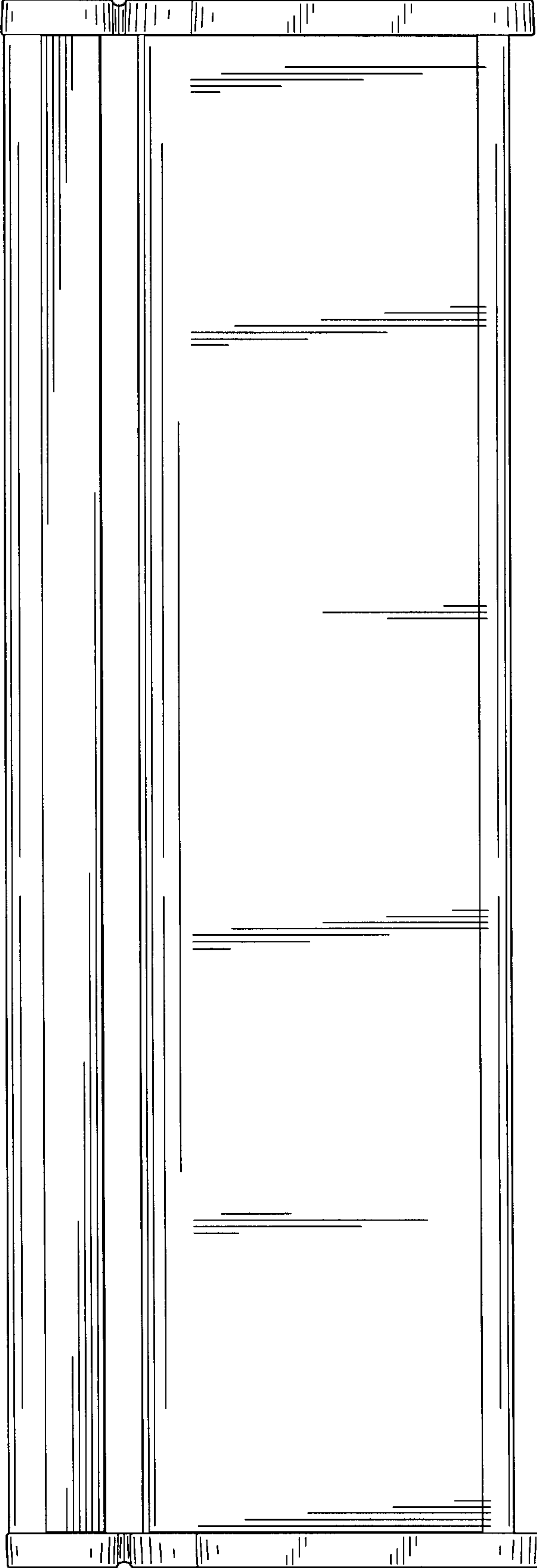
**FIG. 2**



**FIG. 3**



**FIG. 4**



**FIG. 5**